



US00D858850S

(12) **United States Design Patent** (10) **Patent No.:** **US D858,850 S**
Akiyama (45) **Date of Patent:** **** Sep. 3, 2019**

- (54) **LIGHTING FIXTURE**
- (71) Applicant: **KENALL MANUFACTURING COMPANY**, Kenosha, WI (US)
- (72) Inventor: **Steven Akiyama**, New Lenox, IL (US)
- (73) Assignee: **KENALL MANUFACTURING COMPANY**, Kenosha, WI (US)
- (**) Term: **15 Years**
- (21) Appl. No.: **29/597,369**
- (22) Filed: **Mar. 16, 2017**

D330,268 S	10/1992	Jaksich	
5,301,090 A	4/1994	Hed	
5,738,436 A	4/1998	Cummings et al.	
D400,281 S	10/1998	Kerr	
6,197,444 B1	3/2001	Vackar	
D442,722 S *	5/2001	Fahmian	D26/76
6,375,338 B1	4/2002	Cummings et al.	
D457,981 S	5/2002	Yeh	
D602,626 S *	10/2009	Santoro	D26/76
D606,697 S *	12/2009	Verfueth	D26/76
D609,841 S *	2/2010	Bush	D26/76
D617,028 S *	6/2010	Verfueth	D26/75
D617,029 S *	6/2010	Verfueth	D26/75
D647,239 S	10/2011	Beghelli	
D673,712 S	1/2013	Patel	

(Continued)

Primary Examiner — Angela J Lee
(74) *Attorney, Agent, or Firm* — Marshall, Gerstein & Borun LLP

Related U.S. Application Data

- (60) Continuation of application No. 29/557,578, filed on Mar. 10, 2016, now Pat. No. Des. 840,082, which is a division of application No. 29/475,908, filed on Dec. 9, 2013, now Pat. No. Des. 780,362.

- (51) **LOC (12) Cl.** **26-05**
- (52) **U.S. Cl.**
USPC **D26/74**

- (58) **Field of Classification Search**
USPC D26/74, 72, 75, 76, 77, 78, 85, 88, 89, D26/118, 138, 141, 61; 362/364, 365, 362/373, 145, 146, 147, 148, 150, 153, 362/153.1, 294, 296.01, 296, 296.08
CPC F21V 29/2262; F21V 7/06; F21V 21/044; F21V 21/047; F21V 29/2212; F21V 29/2225; F21V 29/2256; F21V 29/225; F21V 29/2268; F21Y 2111/002; F21S 8/02; F21S 8/026
See application file for complete search history.

- (56) **References Cited**
U.S. PATENT DOCUMENTS

D195,012 S	4/1963	Hoyle
D201,544 S	7/1965	Brooks

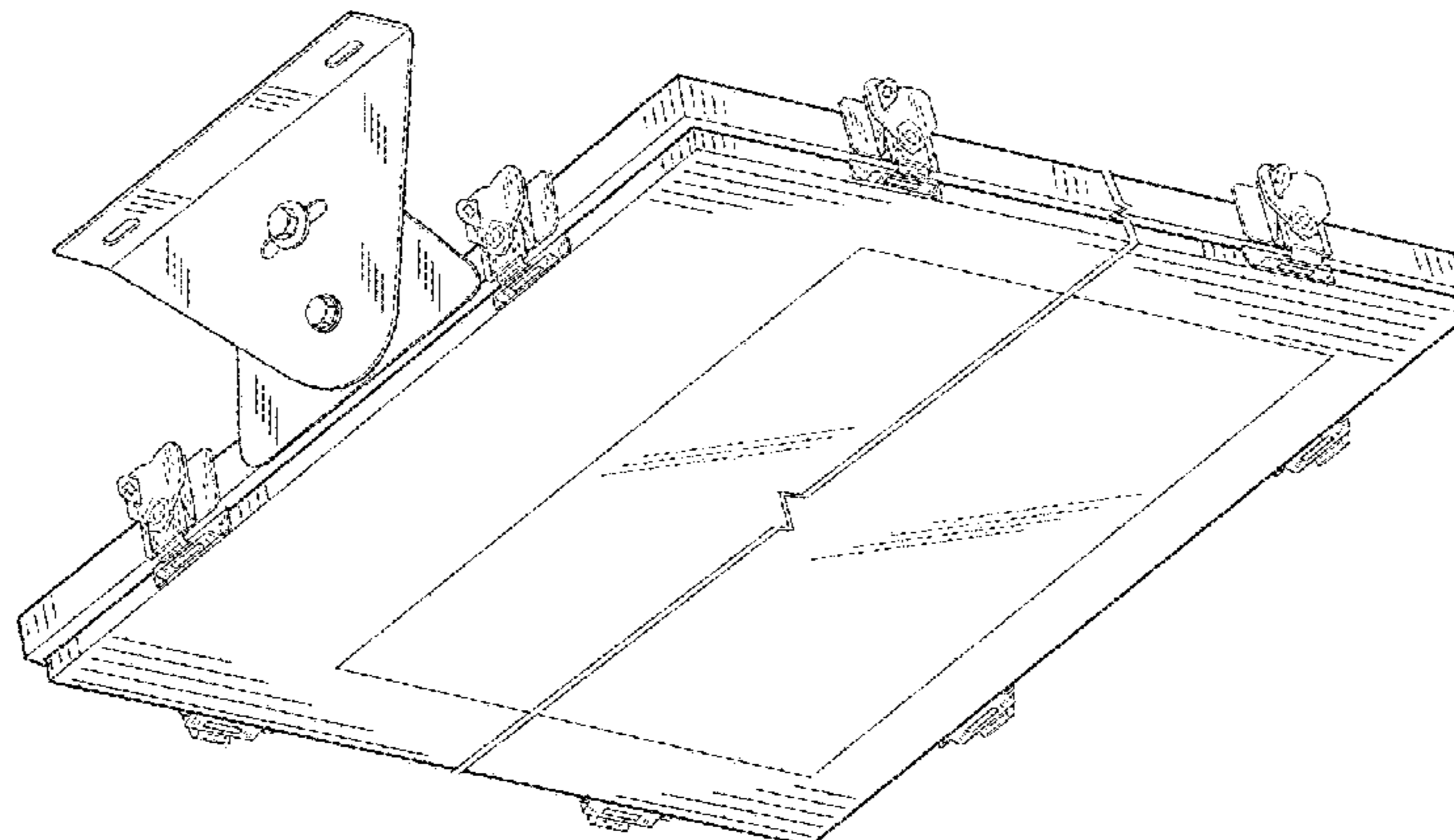
(57) **CLAIM**

The ornamental design for a lighting fixture, as shown and described.

DESCRIPTION

FIG. 1 is a perspective view showing a new design for a lighting fixture;
 FIG. 2 is a front view of the lighting fixture of FIG. 1;
 FIG. 3 is a rear view of the lighting fixture of FIG. 1;
 FIG. 4 is a left-side view of the lighting fixture of FIG. 1;
 FIG. 5 is a right-side view of the lighting fixture of FIG. 1;
 FIG. 6 is a bottom view of the lighting fixture of FIG. 1; and,
 FIG. 7 is a top view of the lighting fixture of FIG. 1.
 The dashed lines showing portions of the lighting fixture are included for the purpose of illustrating environment and form no part of the claimed design.
 Where the figures show the article broken away, they are understood to indicate unclaimed length or width.

1 Claim, 5 Drawing Sheets



(56)

References Cited

U.S. PATENT DOCUMENTS

D685,943 S *	7/2013	Duquette	D26/74	2010/0110684 A1	5/2010	Abdelsamed et al.	
D690,868 S *	10/2013	Mayfield, III	D26/74	2010/0142202 A1	6/2010	Sugishita et al.	
D691,764 S	10/2013	Sieczkowski		2010/0280677 A1	11/2010	Budike, Jr.	
D698,974 S	2/2014	Aniserowicz et al.		2011/0164411 A1	7/2011	Sparing et al.	
D702,868 S	4/2014	Patel		2011/0273877 A1	11/2011	Reed et al.	
D731,693 S	6/2015	Boyer et al.		2012/0159821 A1	6/2012	Miletich et al.	
D732,225 S	6/2015	Grandsart et al.		2012/0176795 A1	7/2012	Lynch	
D776,853 S *	1/2017	Akiyama	D26/74	2012/0217882 A1	8/2012	Wong et al.	
D780,362 S *	2/2017	Akiyama	D26/74	2012/0249016 A1	10/2012	Smith	
D809,696 S *	2/2018	Wheatley	D26/74	2012/0293086 A1	11/2012	Ishikita et al.	
D840,082 S *	2/2019	Akiyama	D26/74	2012/0294000 A1	11/2012	Thomas et al.	
2004/0082209 A1	4/2004	Zenaboni		2013/0003373 A1	1/2013	Hamby et al.	
2004/0105264 A1	6/2004	Spero		2013/0027935 A1	1/2013	Ladewig et al.	
2007/0076459 A1	4/2007	Limpkin		2013/0058108 A1	3/2013	Blincoe et al.	
2009/0073692 A1	3/2009	Berger et al.		2013/0062724 A1	3/2013	Tokuyama et al.	
2009/0290343 A1	11/2009	Brown et al.		2013/0063935 A1	3/2013	Thrailkill	
2010/0085748 A1	4/2010	Kelly et al.		2013/0077311 A1	3/2013	Kinnune et al.	
				2013/0208471 A1	8/2013	Lueken et al.	
				2015/0159852 A1 *	6/2015	Dahlen	F21V 29/503 362/249.02

* cited by examiner

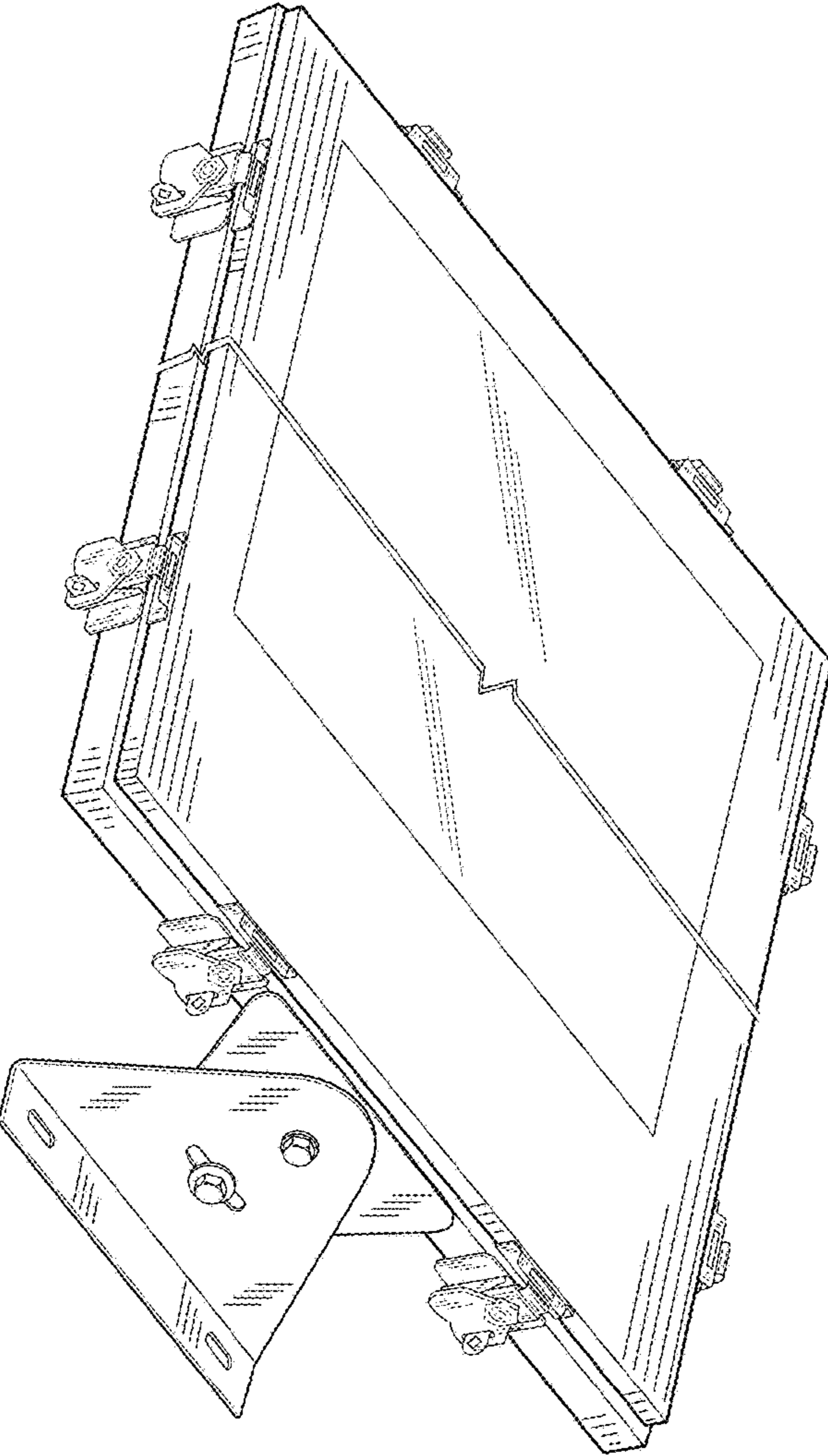


FIG. 1

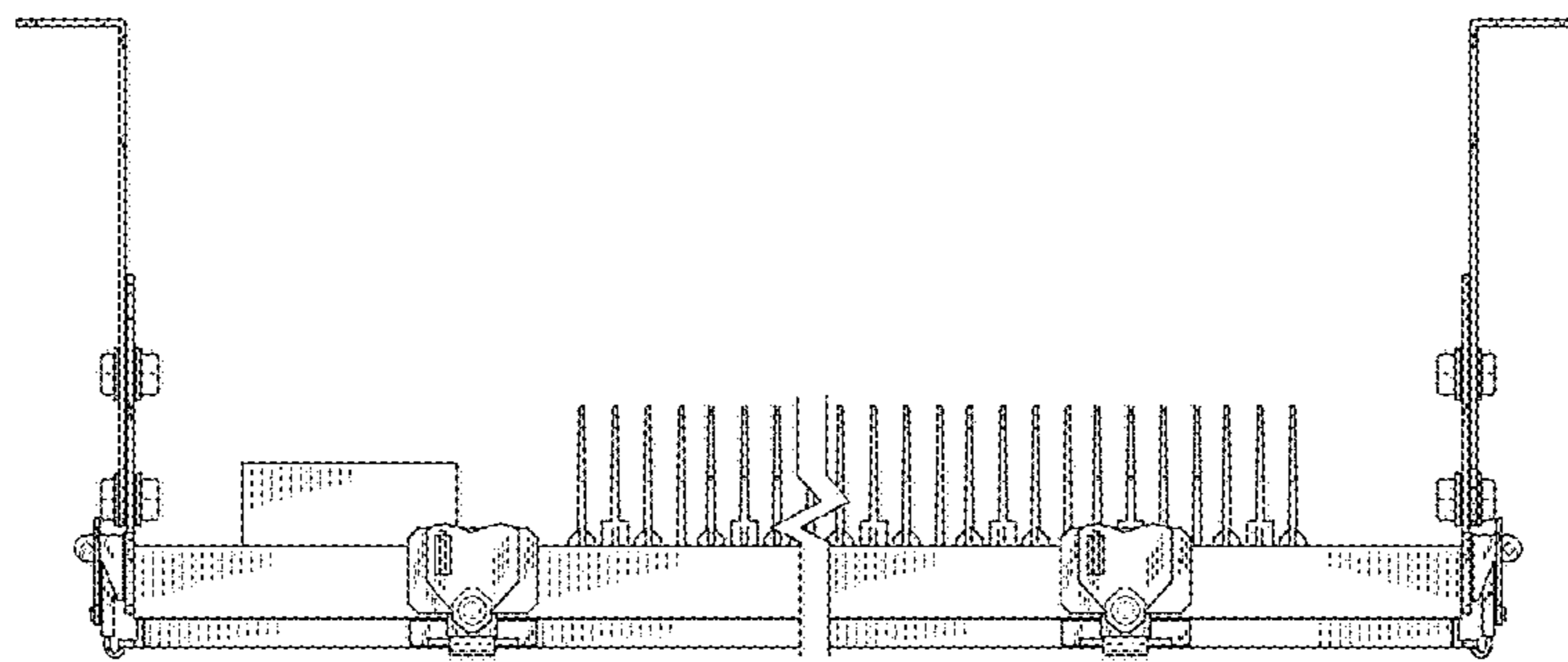


FIG. 2

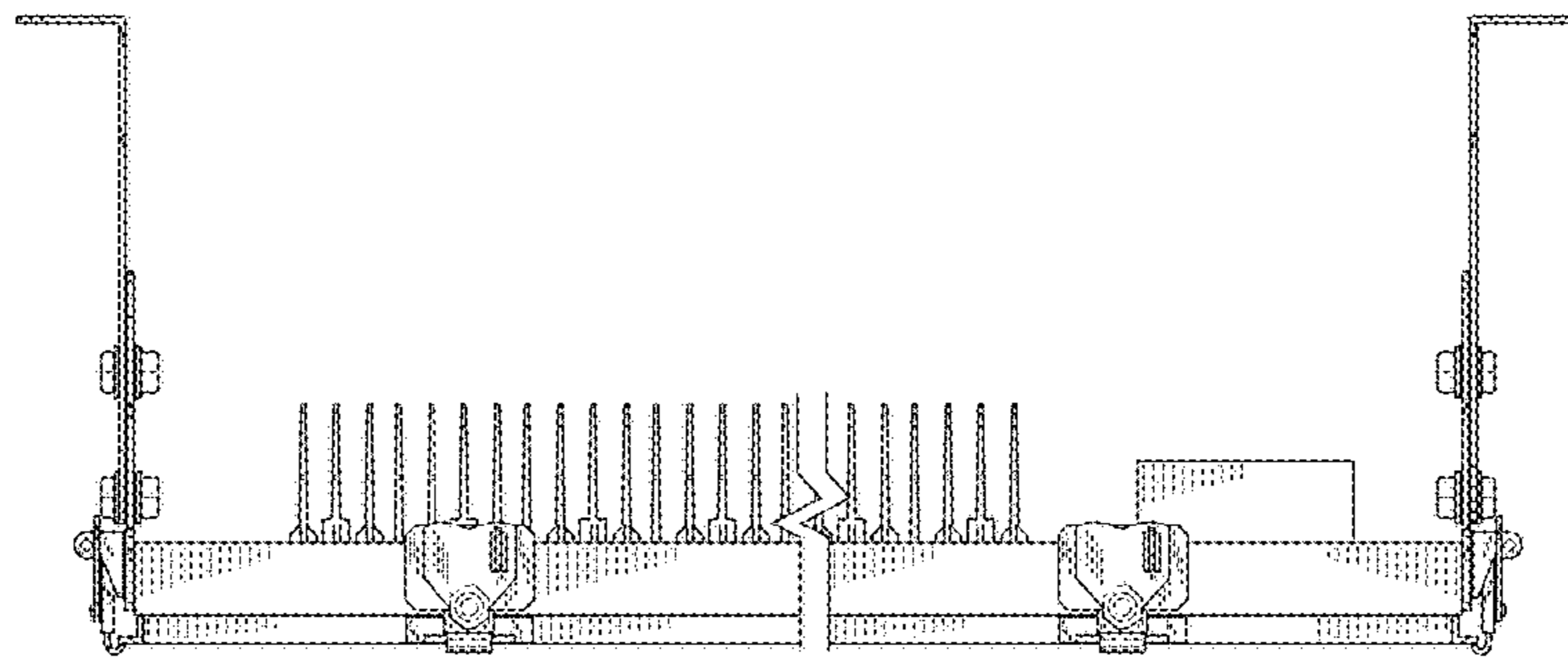


FIG. 3

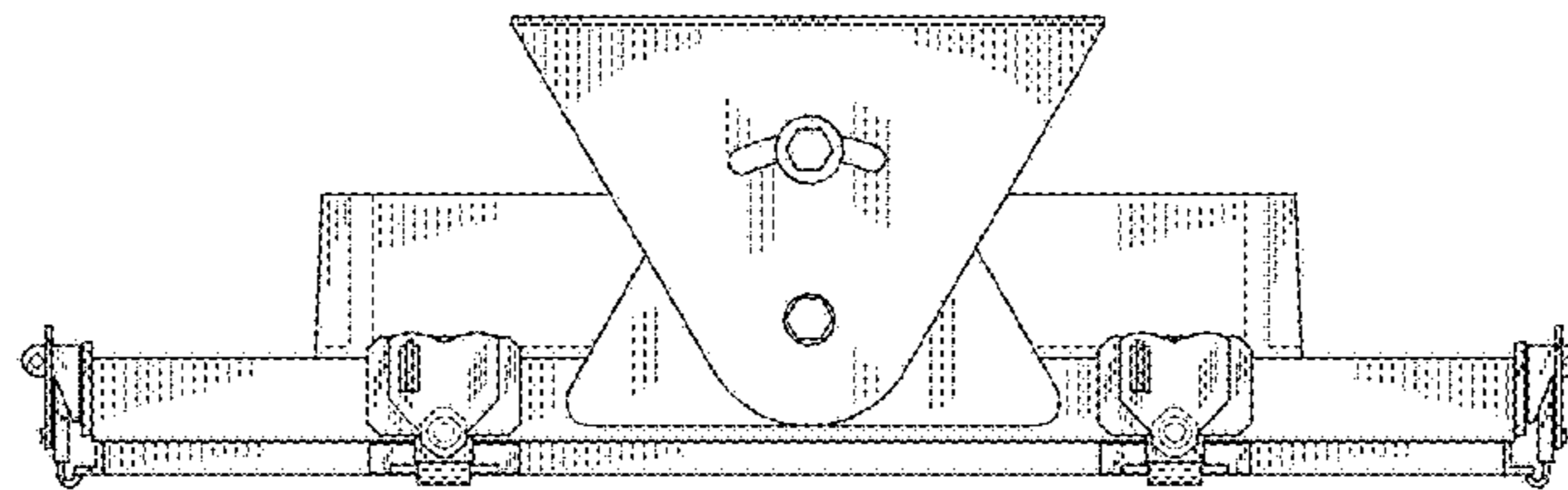


FIG. 4

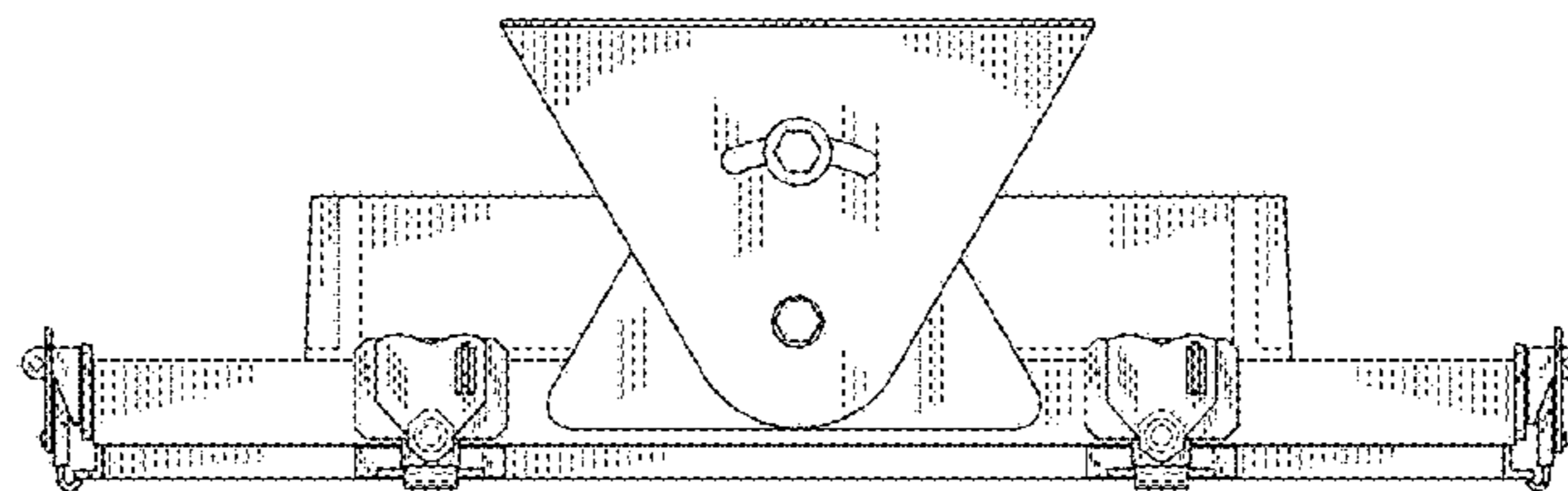


FIG. 5

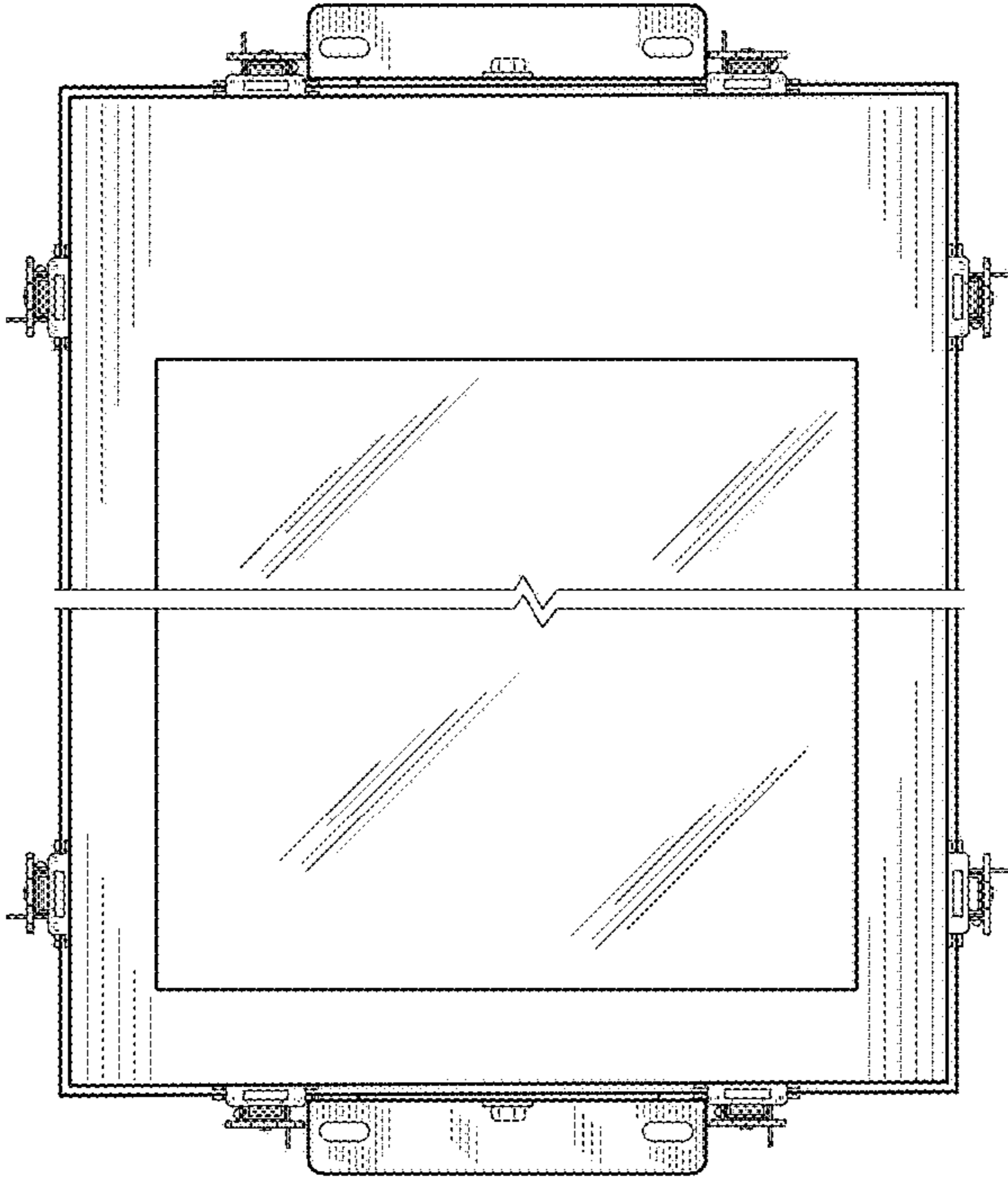


FIG. 6

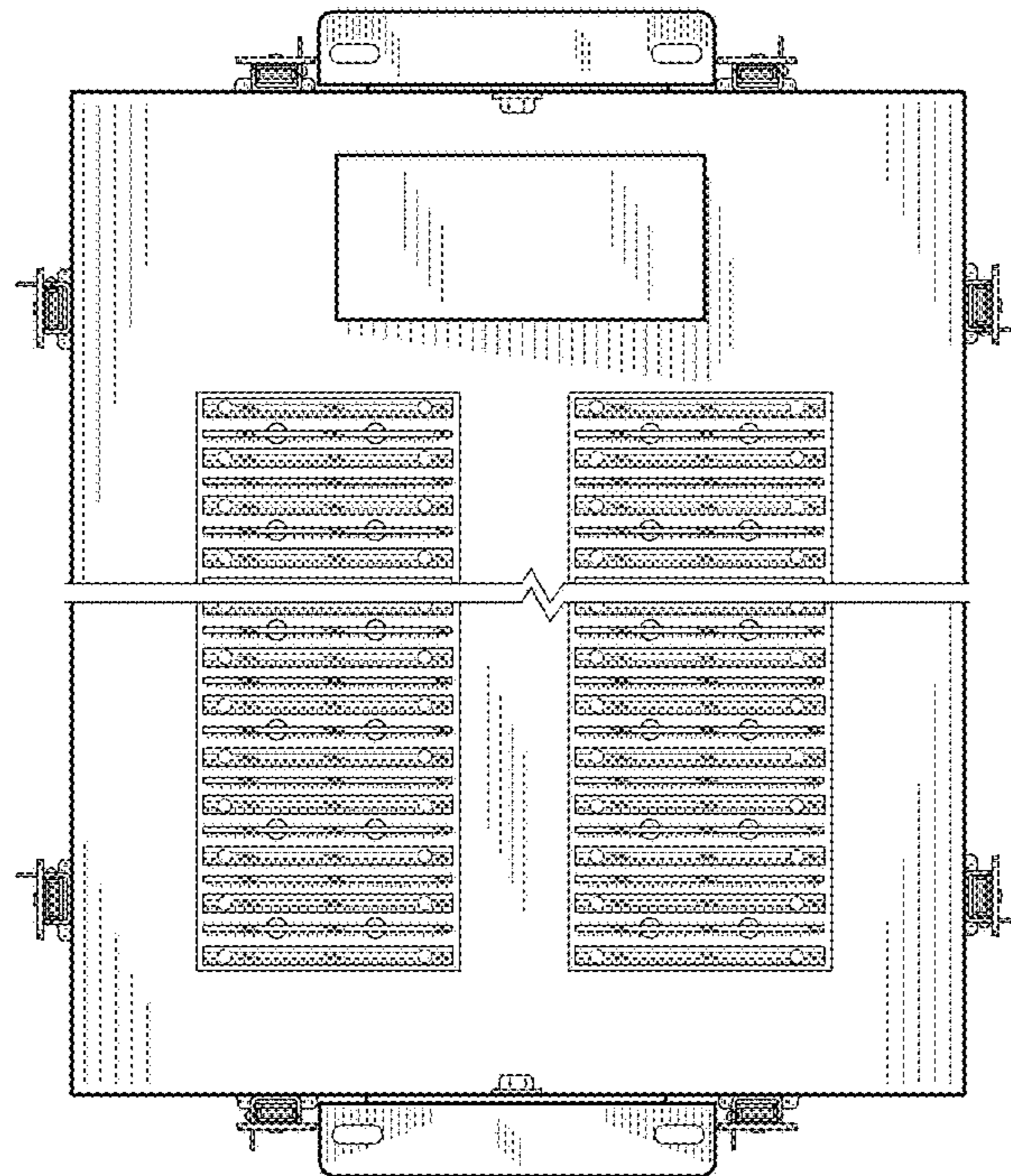


FIG. 7