



US00D858849S

(12) **United States Design Patent** (10) **Patent No.:** **US D858,849 S**  
**Akiyama** (45) **Date of Patent:** **\*\* Sep. 3, 2019**

(54) **LIGHTING FIXTURE**  
(71) Applicant: **KENALL MANUFACTURING COMPANY**, Kenosha, WI (US)  
(72) Inventor: **Steven Akiyama**, New Lenox, IL (US)  
(73) Assignee: **KENALL MANUFACTURING COMPANY**, Kenosha, WI (US)  
(\*\*) Term: **15 Years**  
(21) Appl. No.: **29/597,355**  
(22) Filed: **Mar. 16, 2017**

D330,268 S 10/1992 Jaksich  
5,301,090 A 4/1994 Hed  
5,738,436 A 4/1998 Cummings et al.  
D400,281 S 10/1998 Kerr  
6,197,444 B1 3/2001 Vackar  
D442,722 S \* 5/2001 Fahmian ..... D26/76  
6,375,338 B1 4/2002 Cummings et al.  
D457,981 S 5/2002 Yeh  
D602,626 S \* 10/2009 Santoro ..... D26/76  
D606,697 S \* 12/2009 Verfueth ..... D26/76  
D609,841 S \* 2/2010 Bush ..... D26/76  
D617,028 S \* 6/2010 Verfueth ..... D26/75  
D617,029 S \* 6/2010 Verfueth ..... D26/75  
D647,239 S 10/2011 Beghelli  
D673,712 S 1/2013 Patel

(Continued)

*Primary Examiner* — Angela J Lee  
(74) *Attorney, Agent, or Firm* — Marshall, Gerstein & Borun LLP

**Related U.S. Application Data**

(60) Continuation of application No. 29/557,578, filed on Mar. 10, 2016, now Pat. No. Des. 840,082, which is a division of application No. 29/475,908, filed on Dec. 9, 2013, now Pat. No. Des. 780,362.

(51) **LOC (12) Cl.** ..... **26-05**  
(52) **U.S. Cl.**  
USPC ..... **D26/74**

(58) **Field of Classification Search**  
USPC ..... D26/74, 72, 75, 76, 77, 78, 85, 88, 89, D26/118, 138, 141, 61; 362/364, 365, 362/373, 145, 146, 147, 148, 150, 153, 362/153.1, 294, 296.01, 296, 296.08  
CPC ..... F21V 29/2262; F21V 7/06; F21V 21/044; F21V 21/047; F21V 29/2212; F21V 29/2225; F21V 29/2256; F21V 29/225; F21V 29/2268; F21Y 2111/002; F21S 8/02; F21S 8/026

See application file for complete search history.

(56) **References Cited**

**U.S. PATENT DOCUMENTS**

D195,012 S 4/1963 Hoyle  
D201,544 S 7/1965 Brooks

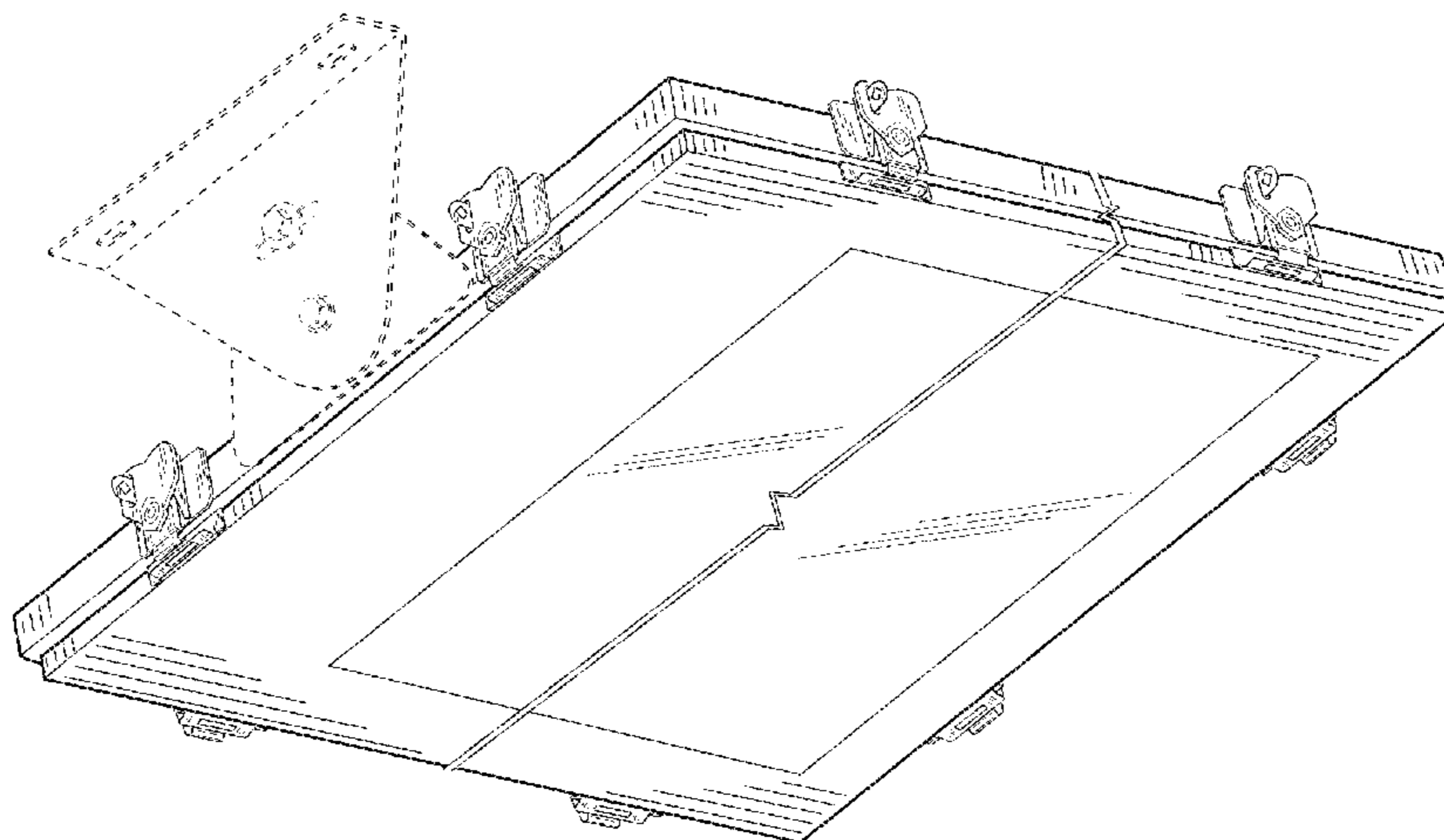
(57) **CLAIM**

The ornamental design for a lighting fixture, as shown and described.

**DESCRIPTION**

FIG. 1 is a perspective view showing a new design for a lighting fixture;  
FIG. 2 is a front view of the lighting fixture of FIG. 1;  
FIG. 3 is a rear view of the lighting fixture of FIG. 1;  
FIG. 4 is a left-side view of the lighting fixture of FIG. 1;  
FIG. 5 is a right-side view of the lighting fixture of FIG. 1;  
FIG. 6 is a bottom view of the lighting fixture of FIG. 1; and,  
FIG. 7 is a top view of the lighting fixture of FIG. 1.  
The dashed lines showing portions of the lighting fixture are included for the purpose of illustrating environment and form no part of the claimed design.  
Where the figures show the article broken away, they are understood to indicate unclaimed length or width.

**1 Claim, 5 Drawing Sheets**



(56)

References Cited

U.S. PATENT DOCUMENTS

D685,943 S *	7/2013	Duquette .....	D26/74	2010/0110684 A1	5/2010	Abdelsamed et al.	
D690,868 S *	10/2013	Mayfield, III .....	D26/74	2010/0142202 A1	6/2010	Sugishita et al.	
D691,764 S	10/2013	Sieczkowski		2010/0280677 A1	11/2010	Budike, Jr.	
D698,974 S	2/2014	Aniserowicz et al.		2011/0164411 A1	7/2011	Sparing et al.	
D702,868 S	4/2014	Patel		2011/0273877 A1	11/2011	Reed et al.	
D731,693 S	6/2015	Boyer et al.		2012/0159821 A1	6/2012	Miletich et al.	
D732,225 S	6/2015	Grandsart et al.		2012/0176795 A1	7/2012	Lynch	
D776,853 S *	1/2017	Akiyama .....	D26/74	2012/0217882 A1	8/2012	Wong et al.	
D780,362 S *	2/2017	Akiyama .....	D26/74	2012/0249016 A1	10/2012	Smith	
D809,696 S *	2/2018	Wheatley .....	D26/74	2012/0293086 A1	11/2012	Ishikita et al.	
D840,082 S *	2/2019	Akiyama .....	D26/74	2012/0294000 A1	11/2012	Thomas et al.	
2004/0082209 A1	4/2004	Zenaboni		2013/0003373 A1	1/2013	Hamby et al.	
2004/0105264 A1	6/2004	Spero		2013/0027935 A1	1/2013	Ladewig et al.	
2007/0076459 A1	4/2007	Limpkin		2013/0058108 A1	3/2013	Blincoe et al.	
2009/0073692 A1	3/2009	Berger et al.		2013/0062724 A1	3/2013	Tokuyama et al.	
2009/0290343 A1	11/2009	Brown et al.		2013/0063935 A1	3/2013	Thrailkill	
2010/0085748 A1	4/2010	Kelly et al.		2013/0077311 A1	3/2013	Kinnune et al.	
				2013/0208471 A1	8/2013	Lueken et al.	
				2015/0159852 A1 *	6/2015	Dahlen .....	F21V 29/503 362/249.02

\* cited by examiner

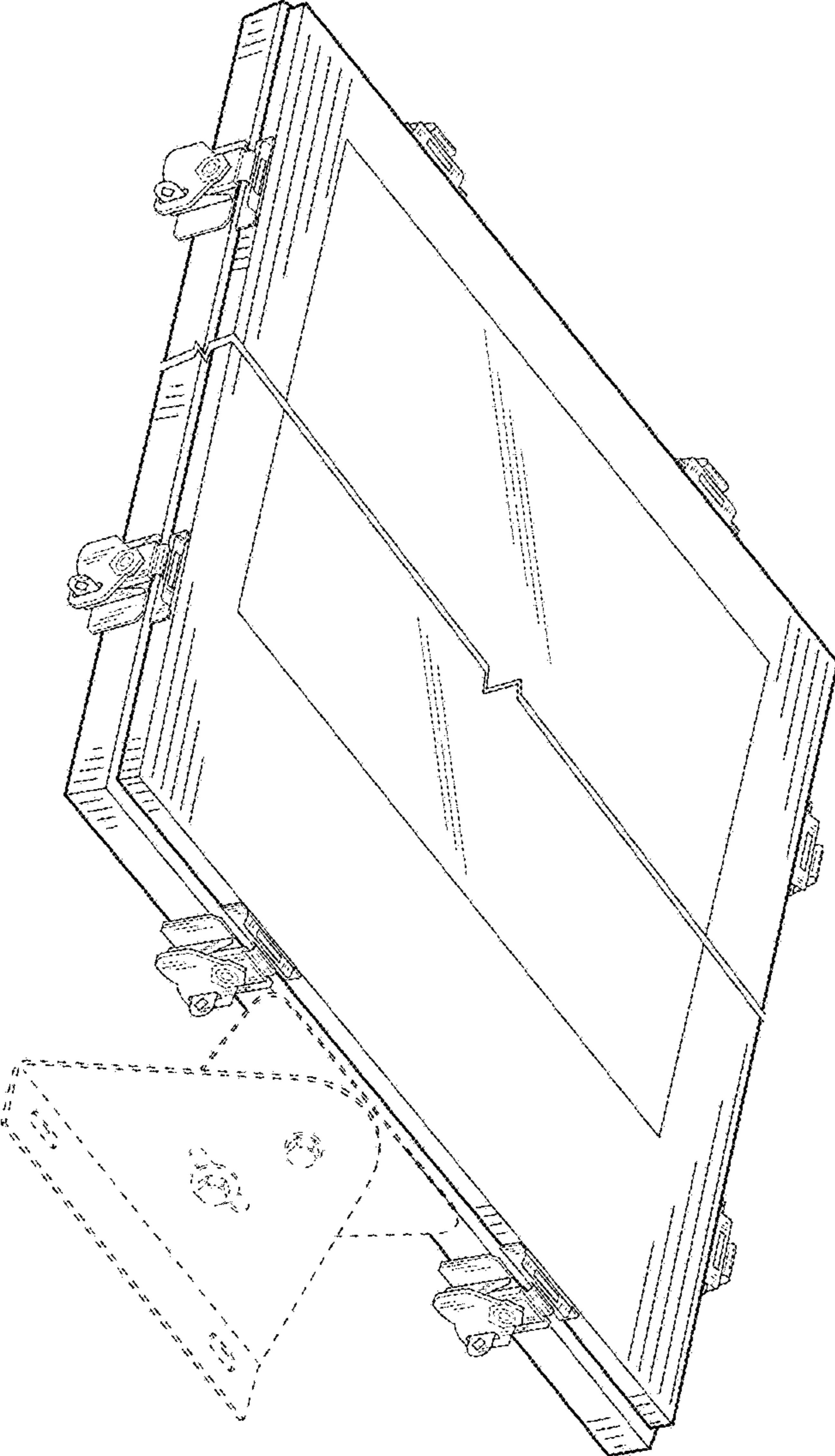
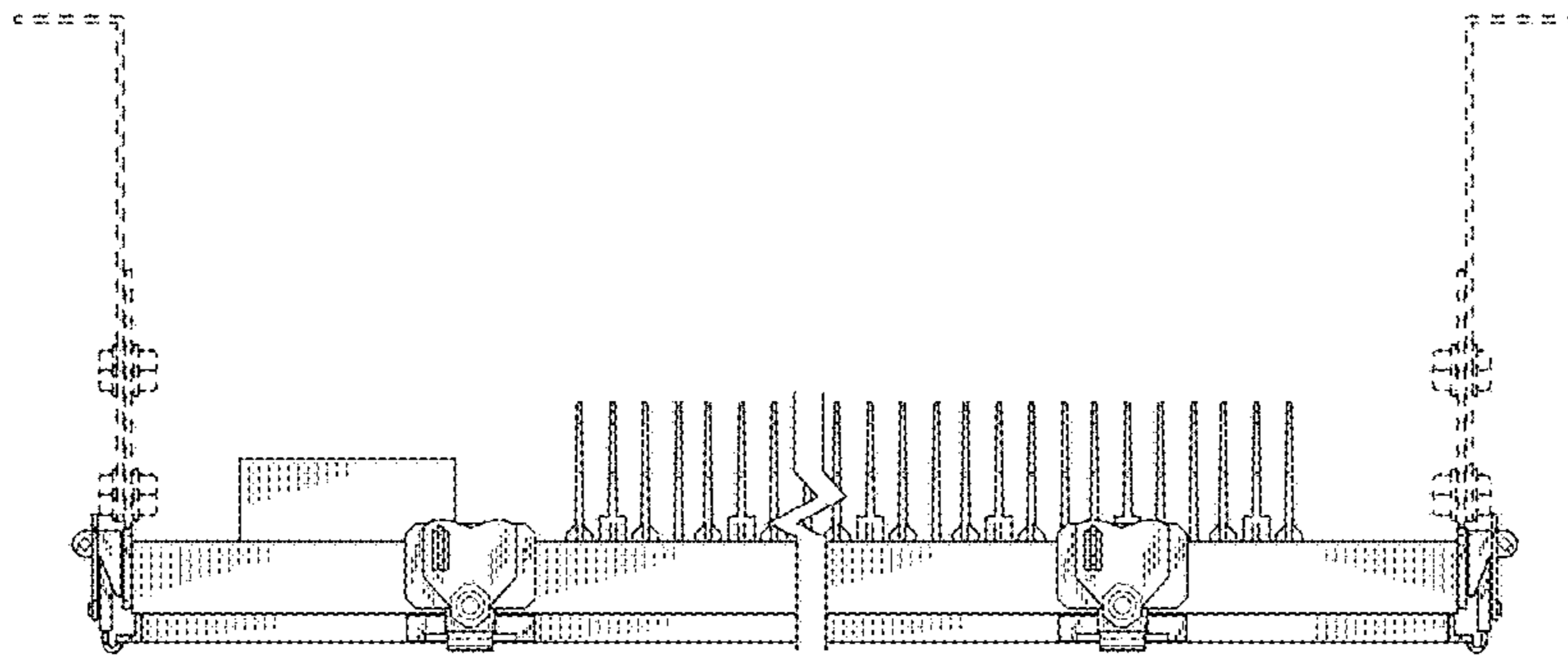
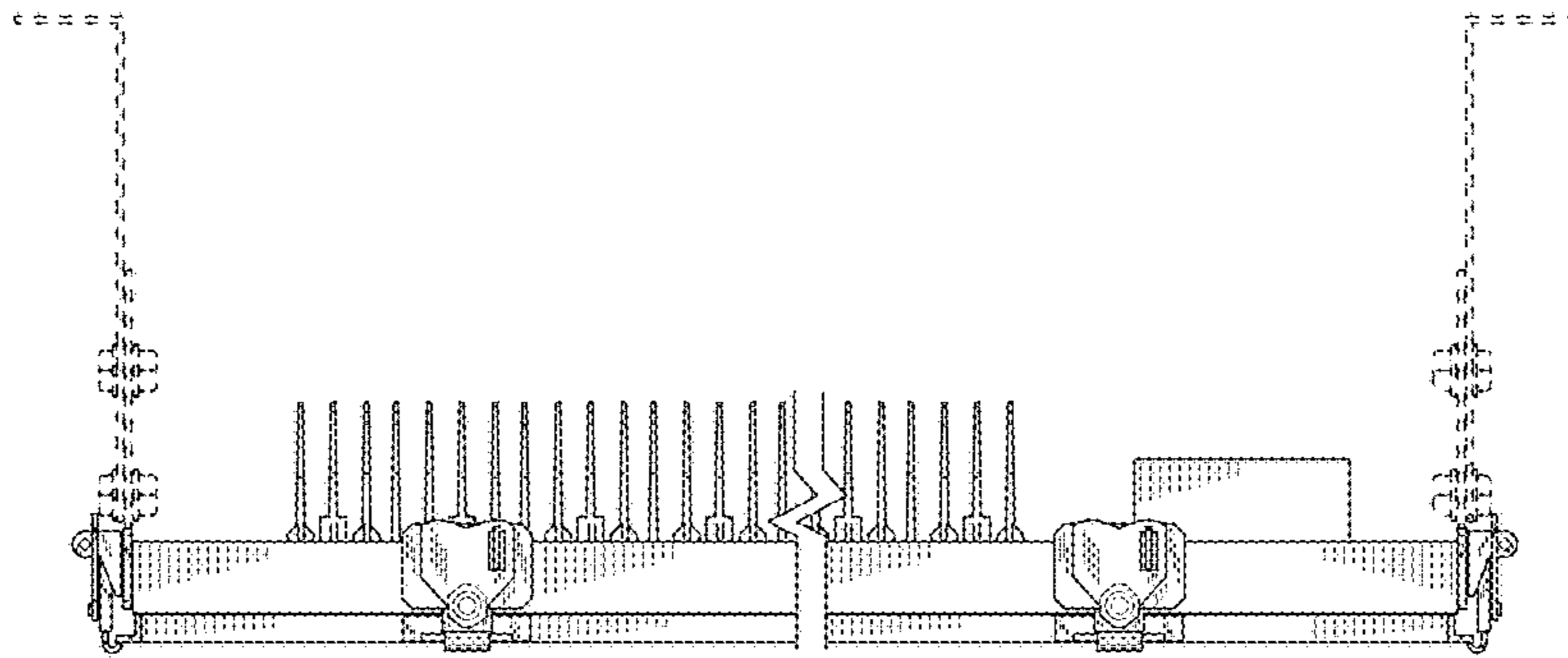


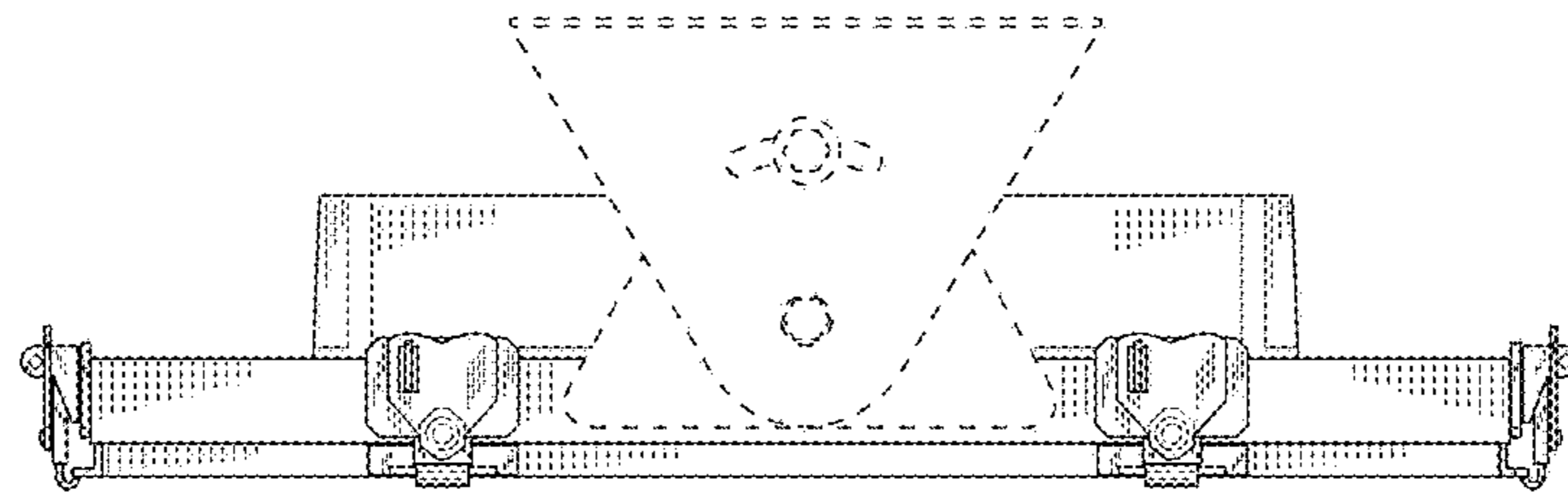
FIG. 1



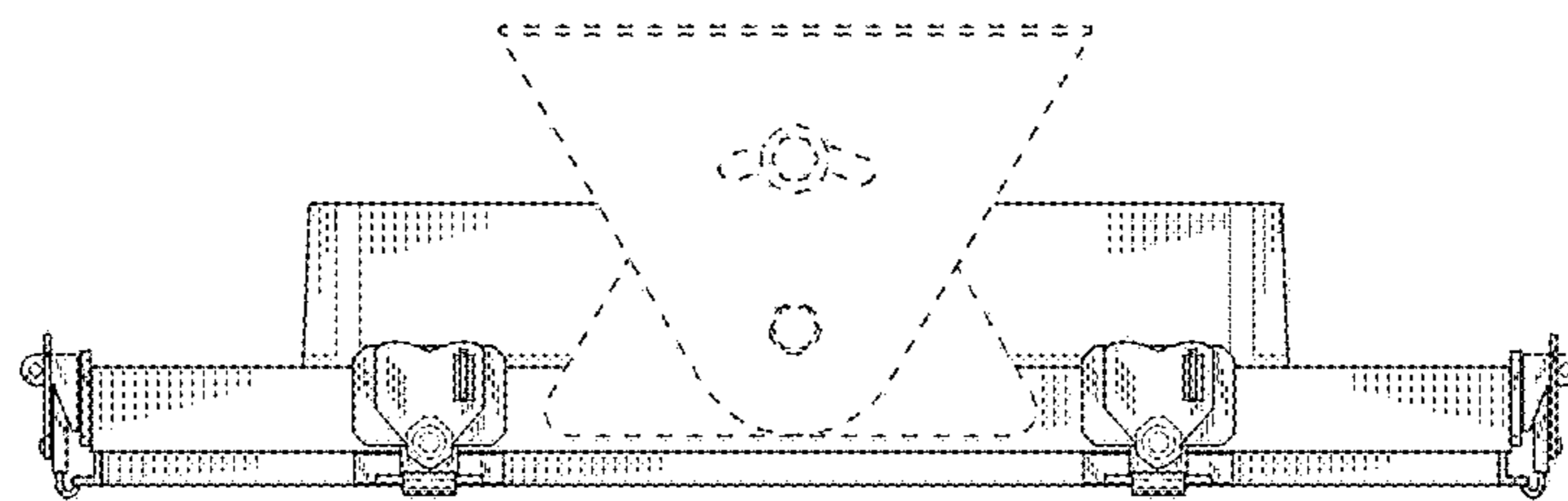
**FIG. 2**



**FIG. 3**



**FIG. 4**



**FIG. 5**

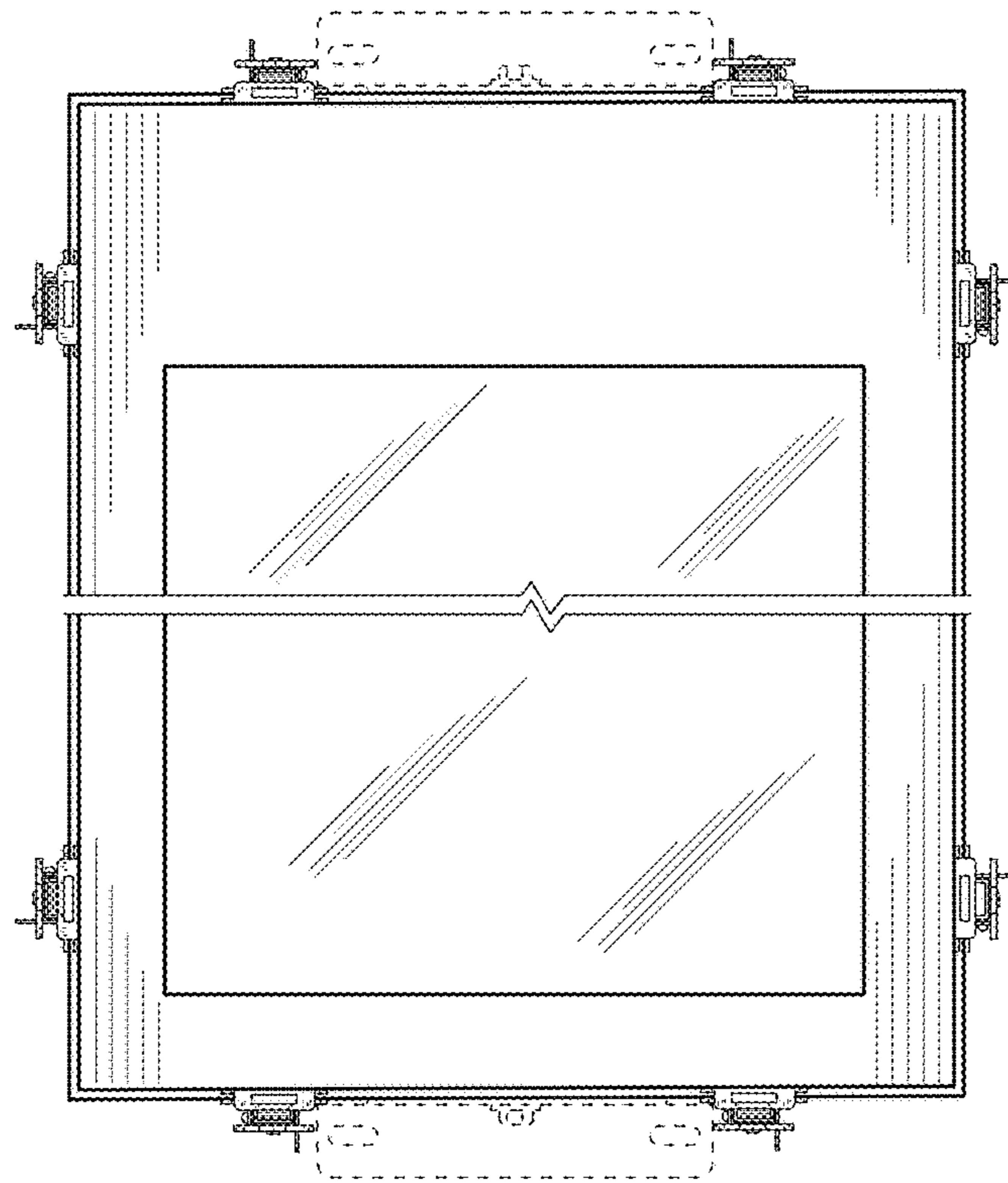


FIG. 6

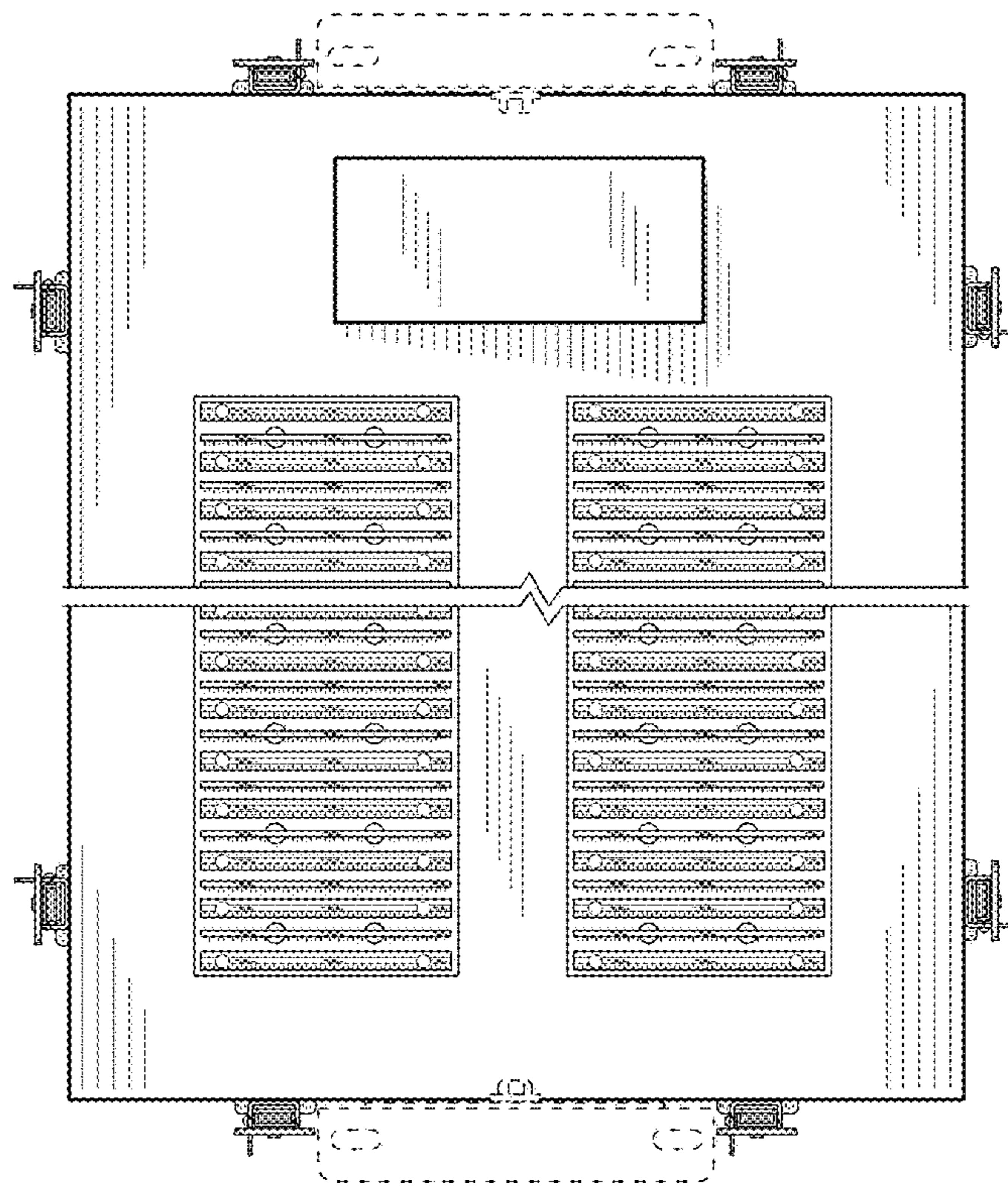


FIG. 7