



US00D858848S

(12) **United States Design Patent**
Moghal

(10) **Patent No.:** **US D858,848 S**

(45) **Date of Patent:** **** Sep. 3, 2019**

- (54) **HIGH MAST LUMINAIRE**
- (71) Applicant: **Cooper Technologies Company**,
Houston, TX (US)
- (72) Inventor: **Khurram Z. Moghal**, Senoia, GA (US)
- (73) Assignee: **Eaton Intelligent Power Limited**,
Dublin (IE)

(**) Term: **15 Years**

(21) Appl. No.: **29/602,767**

(22) Filed: **May 3, 2017**

(51) **LOC (12) Cl.** **26-05**

(52) **U.S. Cl.**
USPC **D26/72**

(58) **Field of Classification Search**
USPC D26/71, 72, 80, 88, 91, 92
CPC F21S 8/03; F21S 8/04; F21S 8/043; F21S
8/06; F21S 8/061; F21S 8/063; F21V
21/008; F21V 21/02; F21V 29/2212;
F21V 29/767; F21V 29/77; F21V 29/777;
F21V 29/78

See application file for complete search history.

(56) **References Cited**

U.S. PATENT DOCUMENTS

- 3,705,303 A * 12/1972 Willis, Jr. F21S 8/06
362/308
- D776,323 S * 1/2017 Oh D26/70
- D796,722 S * 9/2017 Zhu D26/72
- 2002/0122309 A1* 9/2002 Abdelhafez B64F 1/20
362/294
- 2009/0323325 A1* 12/2009 Long F21K 9/00
362/234
- 2012/0033419 A1* 2/2012 Kim F21S 8/026
362/235
- 2013/0215605 A1* 8/2013 Wu F21S 8/061
362/184
- 2013/0221846 A1* 8/2013 Alexiou F21V 29/75
315/51

- 2015/0176823 A1* 6/2015 Leshniak F21V 21/14
362/235
- 2016/0161096 A1* 6/2016 Boulanger F21V 21/02
362/368
- 2016/0341400 A1* 11/2016 Lee F21V 29/67
- 2017/0153017 A1* 6/2017 Benner F21V 33/00
- 2017/0234494 A1* 8/2017 Yurich F21S 2/005
362/235

OTHER PUBLICATIONS

Cree Edge. LED High Output Luminaire. Important Safeguards. CREE. Jul. 16, 2015.
HMLLED2. LED High Mast Lighting. Holophane. Jun. 23, 2016.
Evolve LED Roadway Lighting: High Mast Luminaire (ERHM). Installation Guide. GE. Aug. 22, 2016.

* cited by examiner

Primary Examiner — Clare E Heflin

(74) *Attorney, Agent, or Firm* — King & Spalding LLP

(57) **CLAIM**

The ornamental design for a high mast luminaire, as shown and described.

DESCRIPTION

FIG. 1 is a top perspective view of a high mast luminaire showing the new design;
FIG. 2 is a bottom perspective view thereof;
FIG. 3 is a top plan view thereof;
FIG. 4 is a bottom plan view thereof;
FIG. 5 is a left-side elevation view thereof;
FIG. 6 is a right-side elevation view thereof;
FIG. 7 is a front elevation view thereof; and,
FIG. 8 is a rear elevation view thereof.
The broken lines shown represent unclaimed portions of the high mast luminaire and form no part of the claimed design. The area between the dash-dot-dash lines represents unclaimed subject matter.

1 Claim, 8 Drawing Sheets

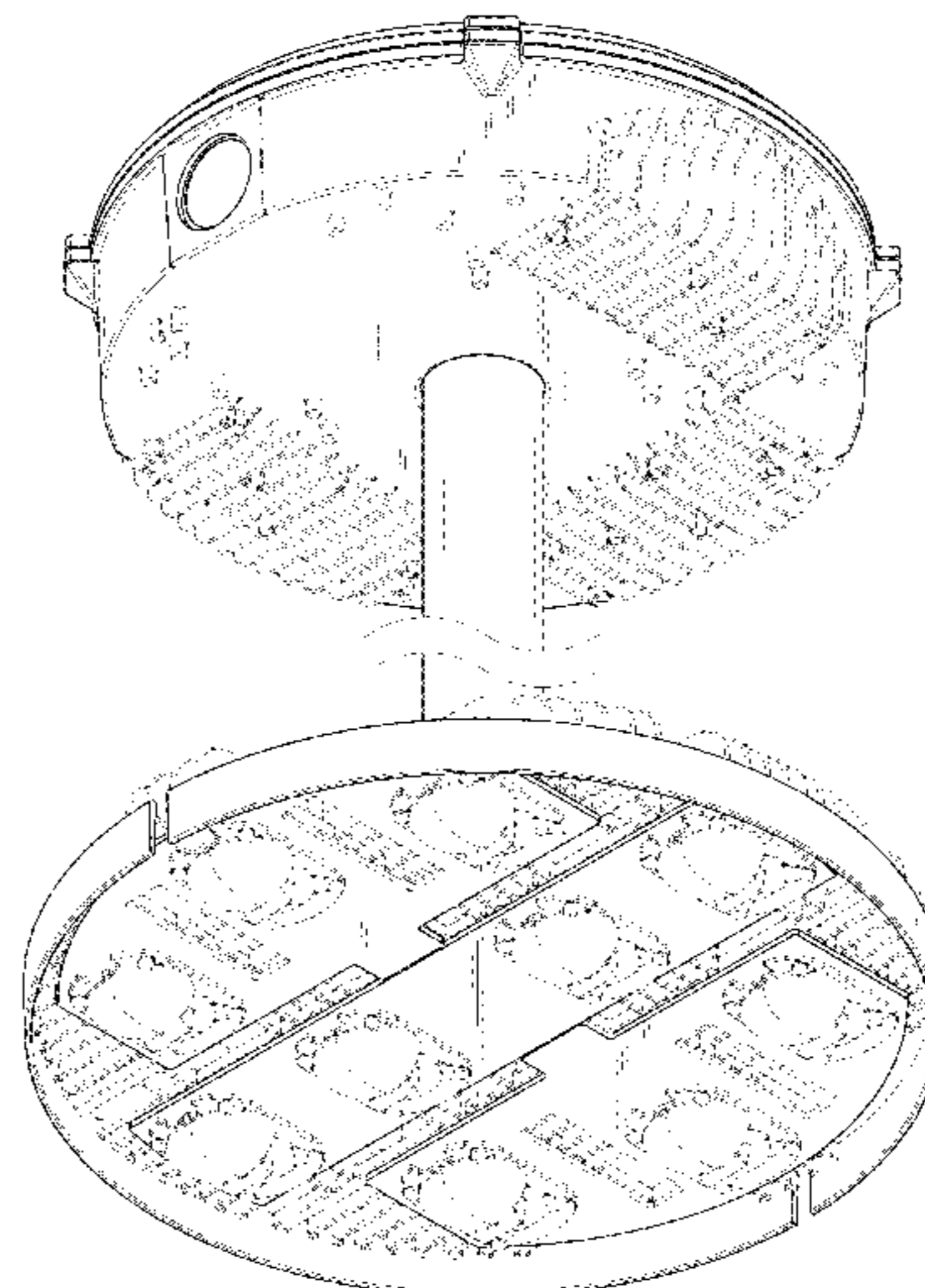
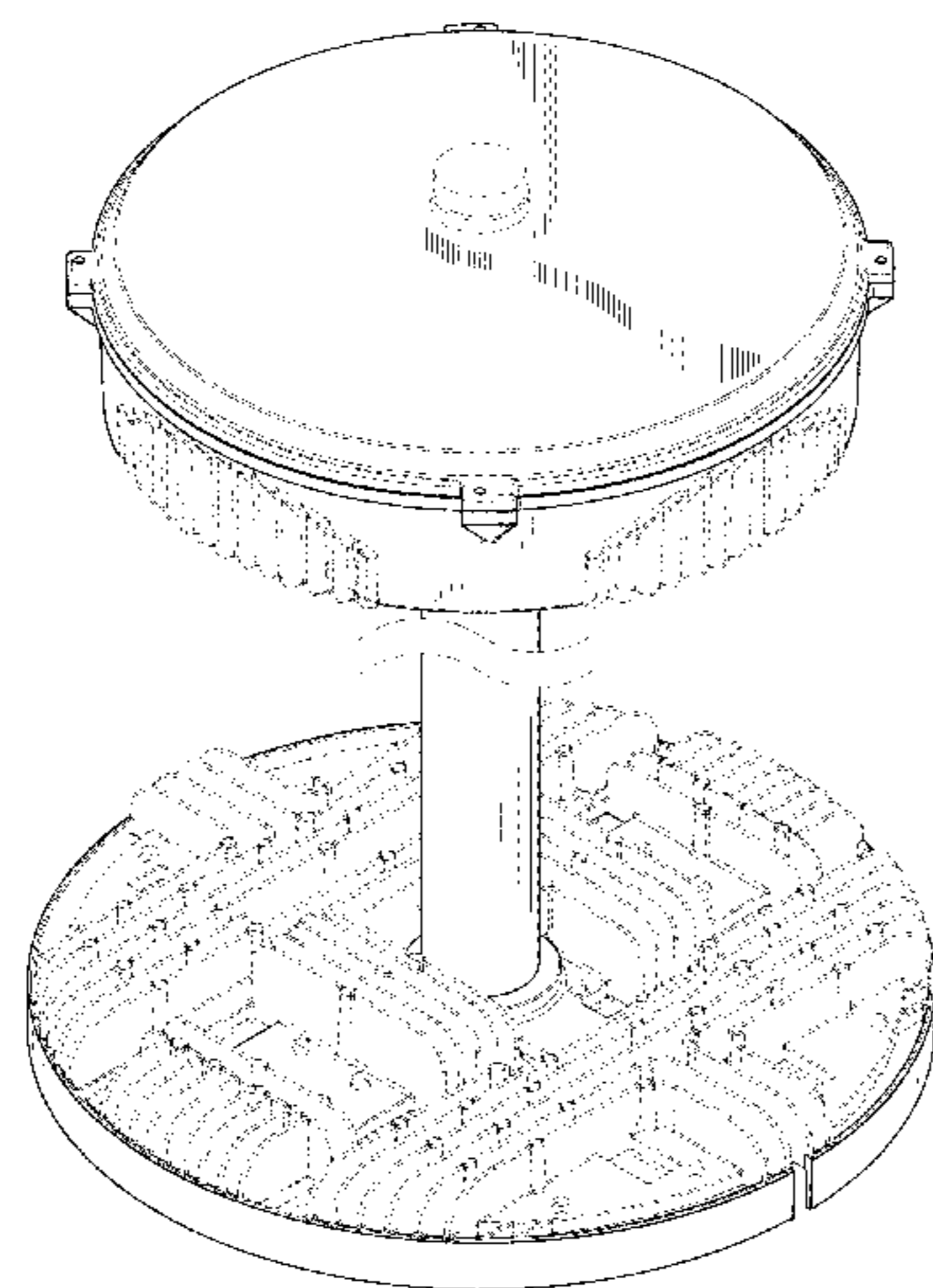


FIG. 1

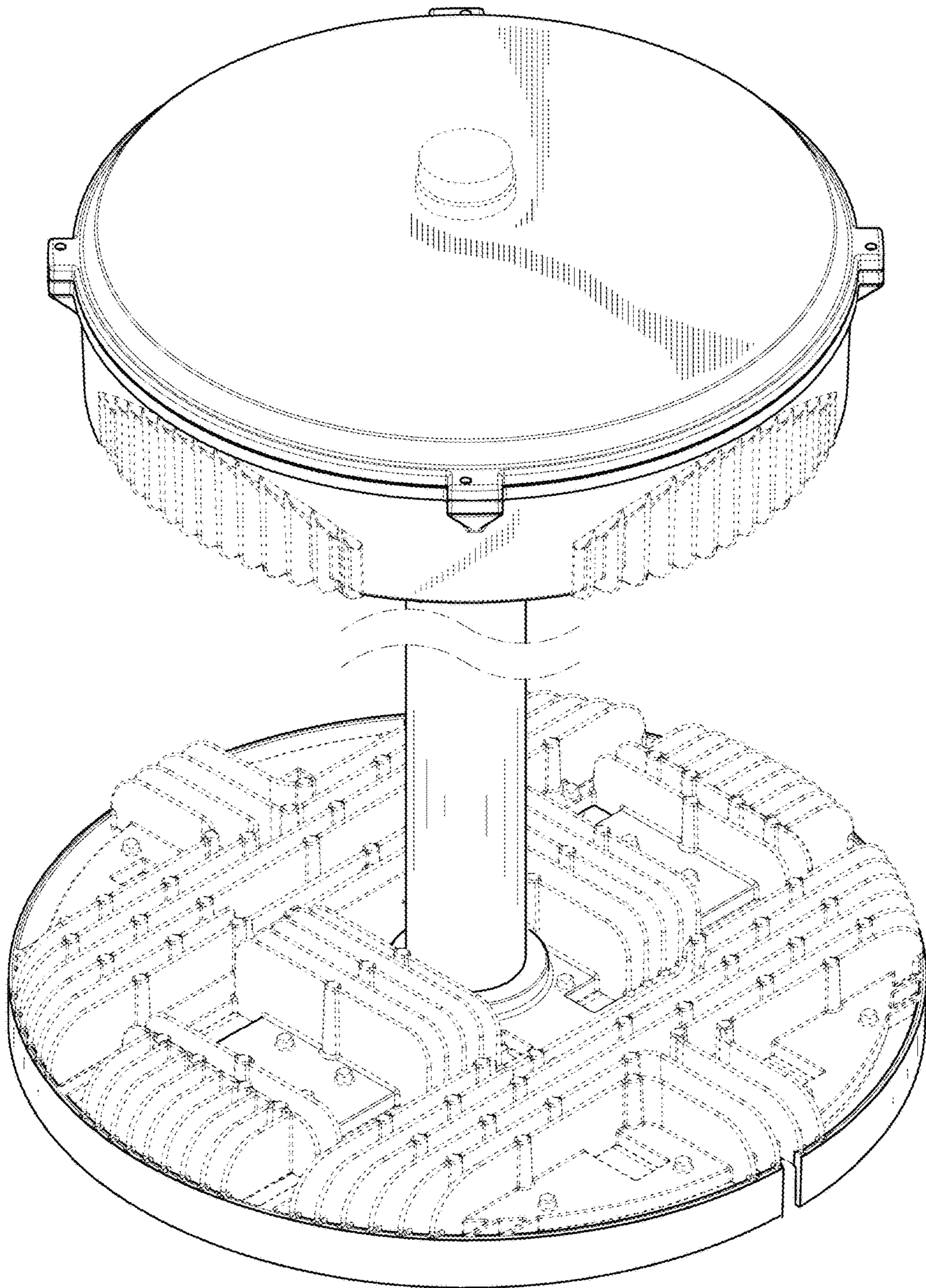


FIG. 2

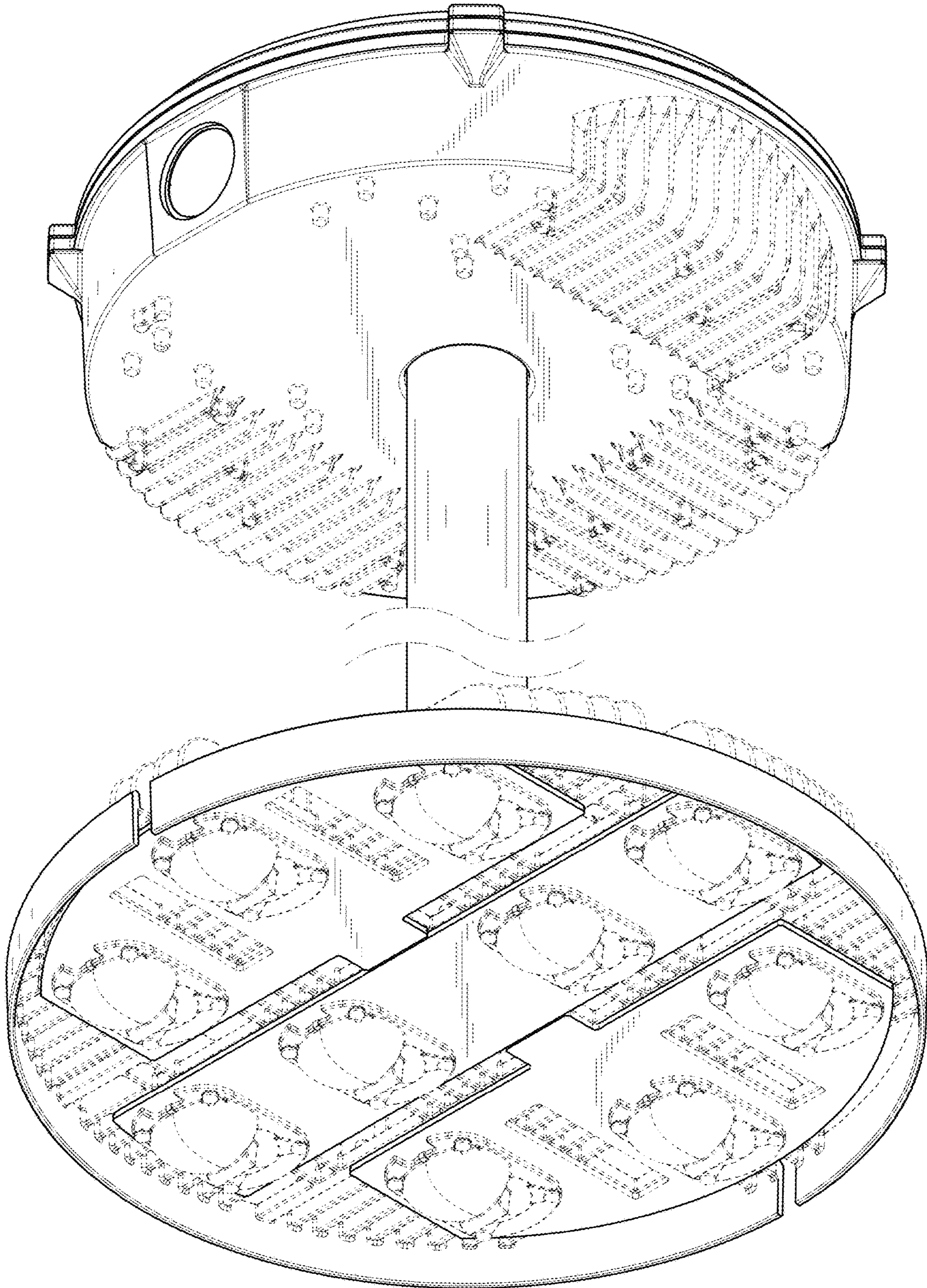


FIG. 3

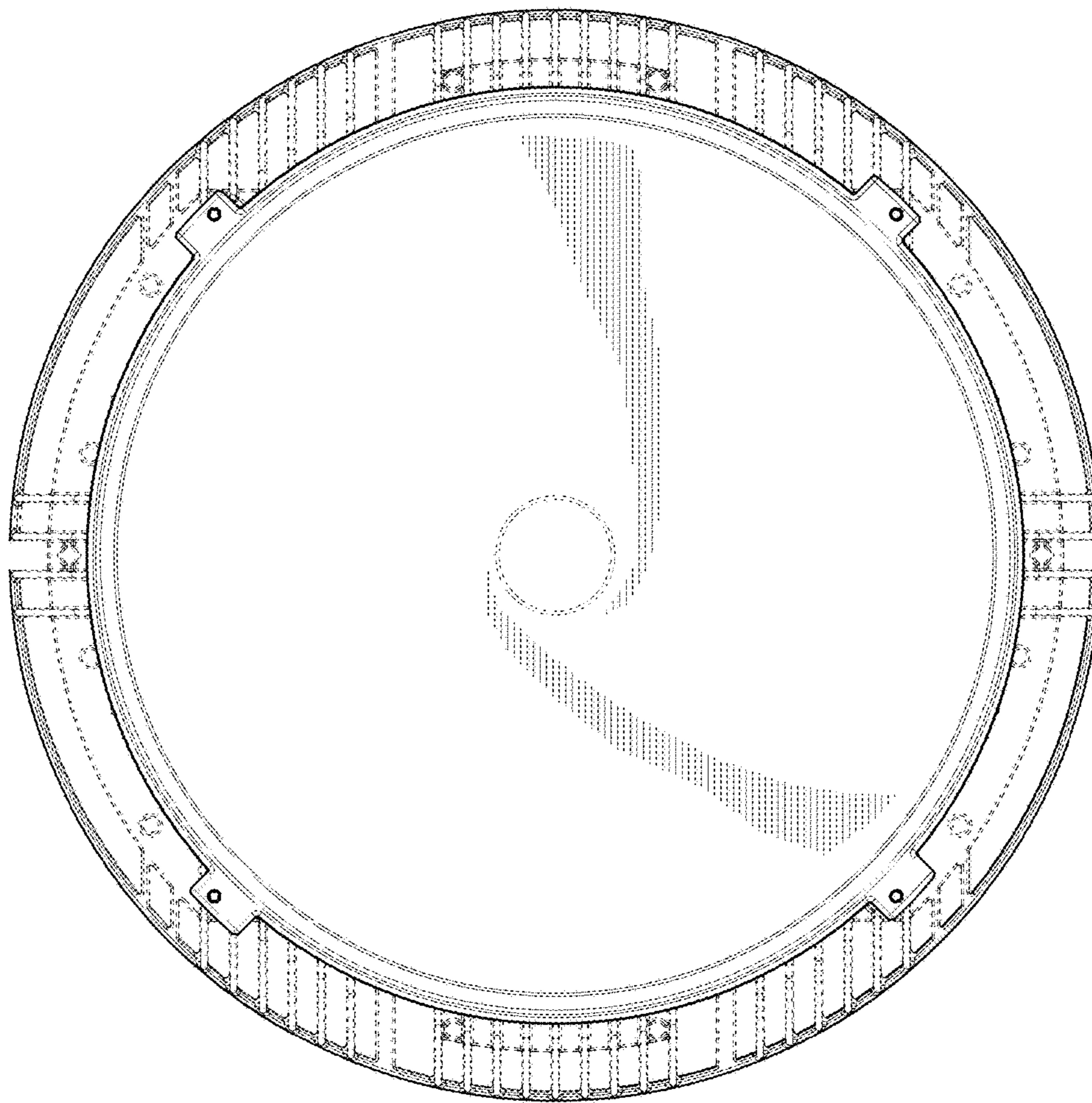


FIG. 4

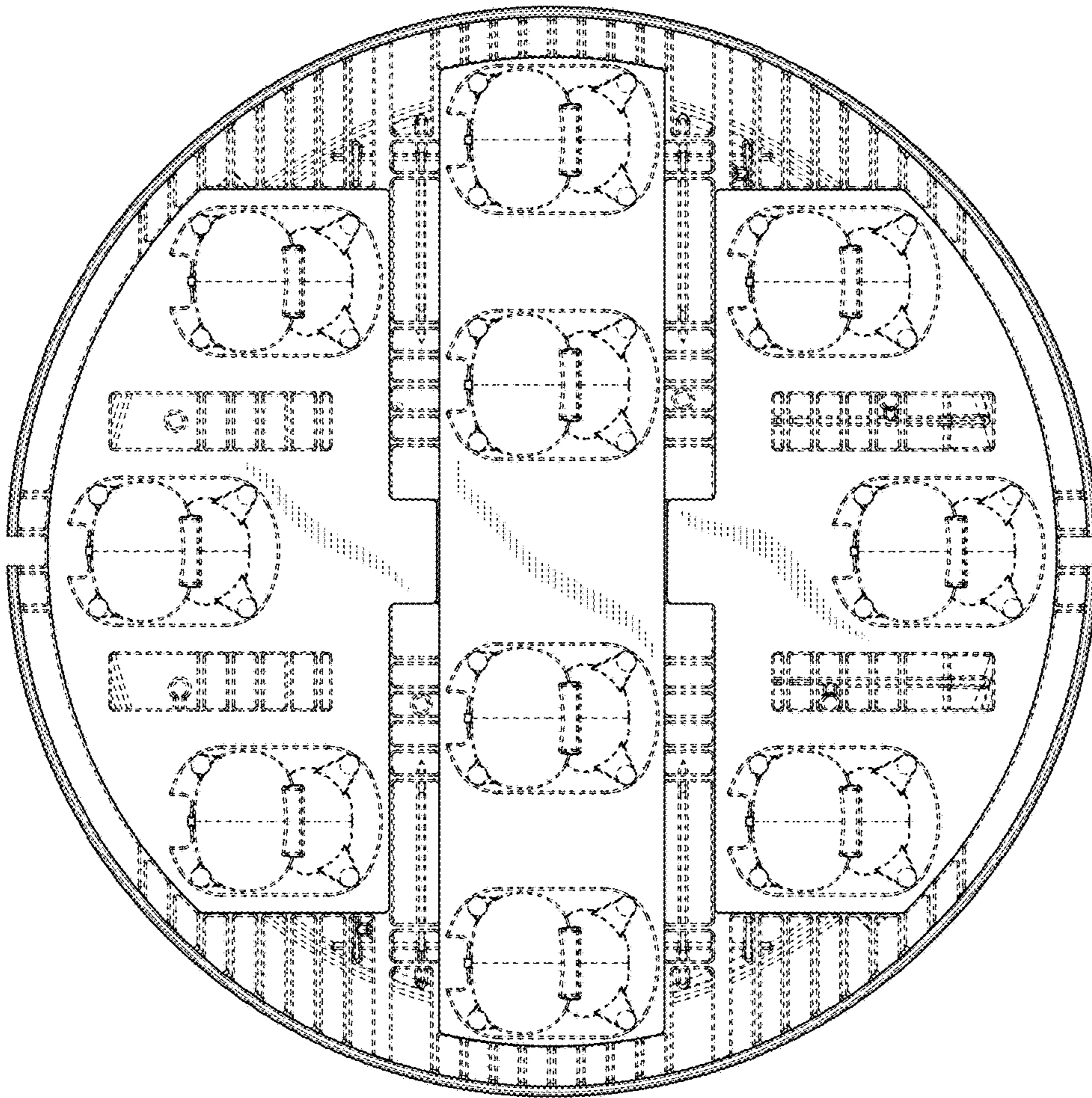


FIG. 5

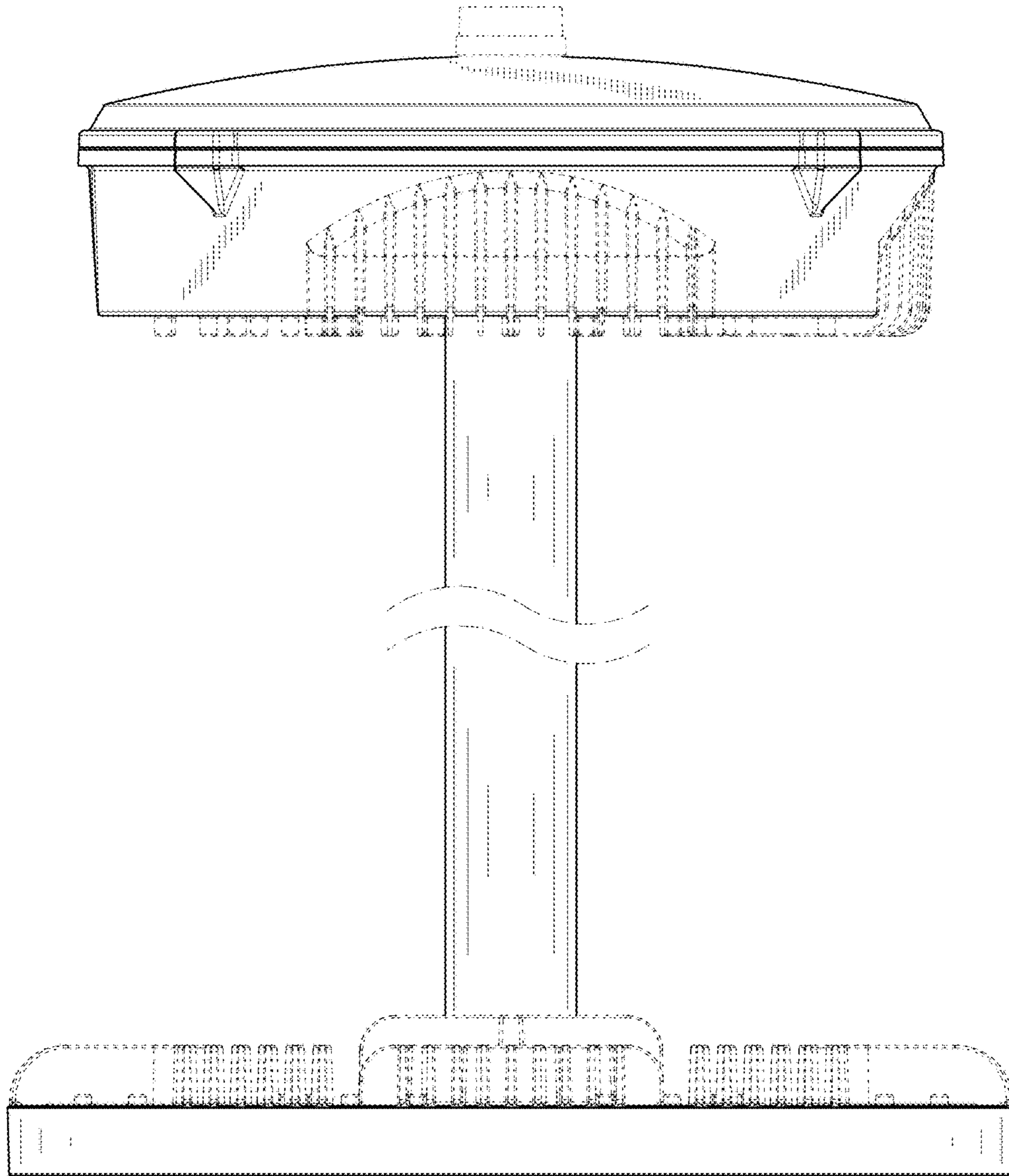


FIG. 6

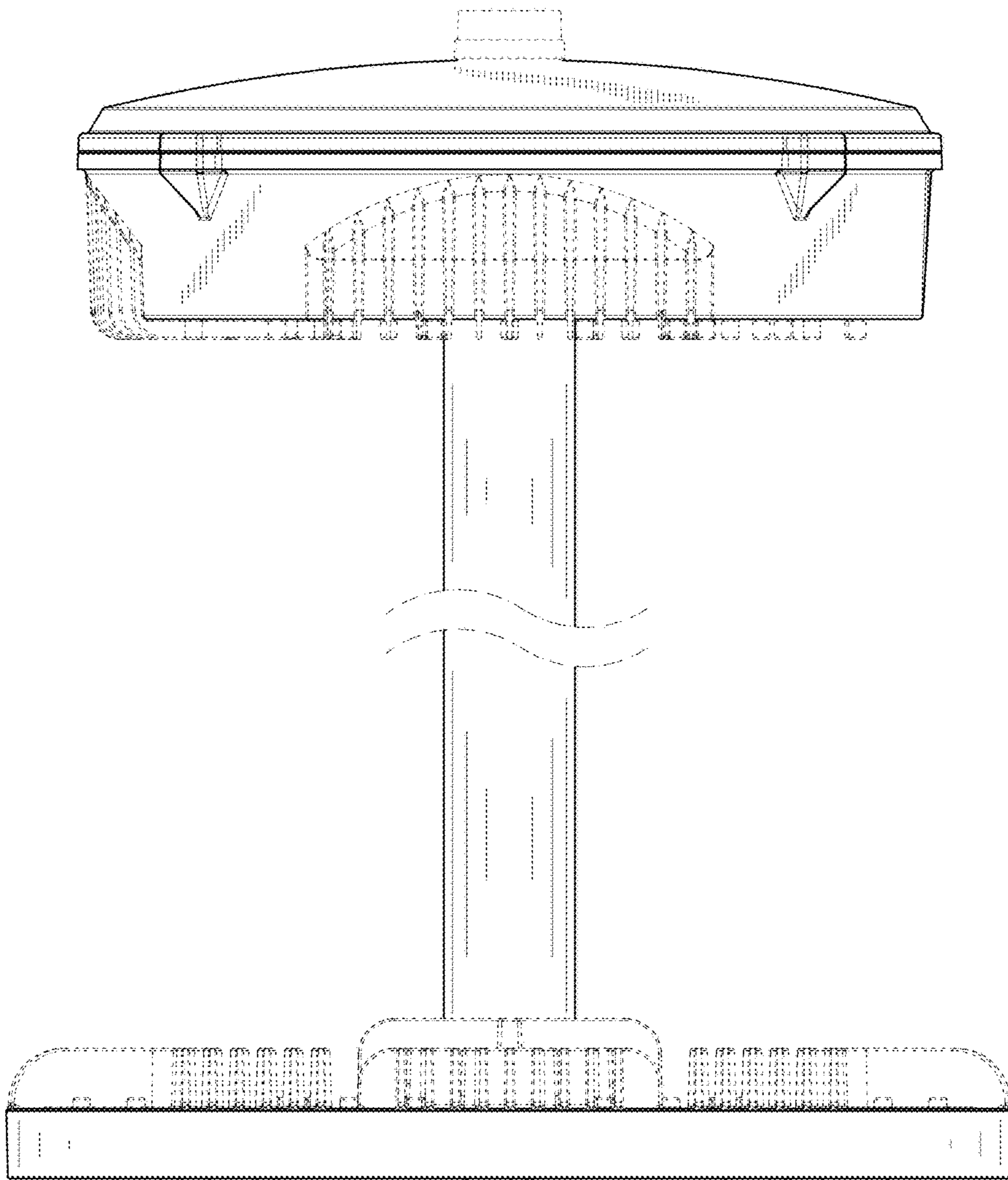


FIG. 7

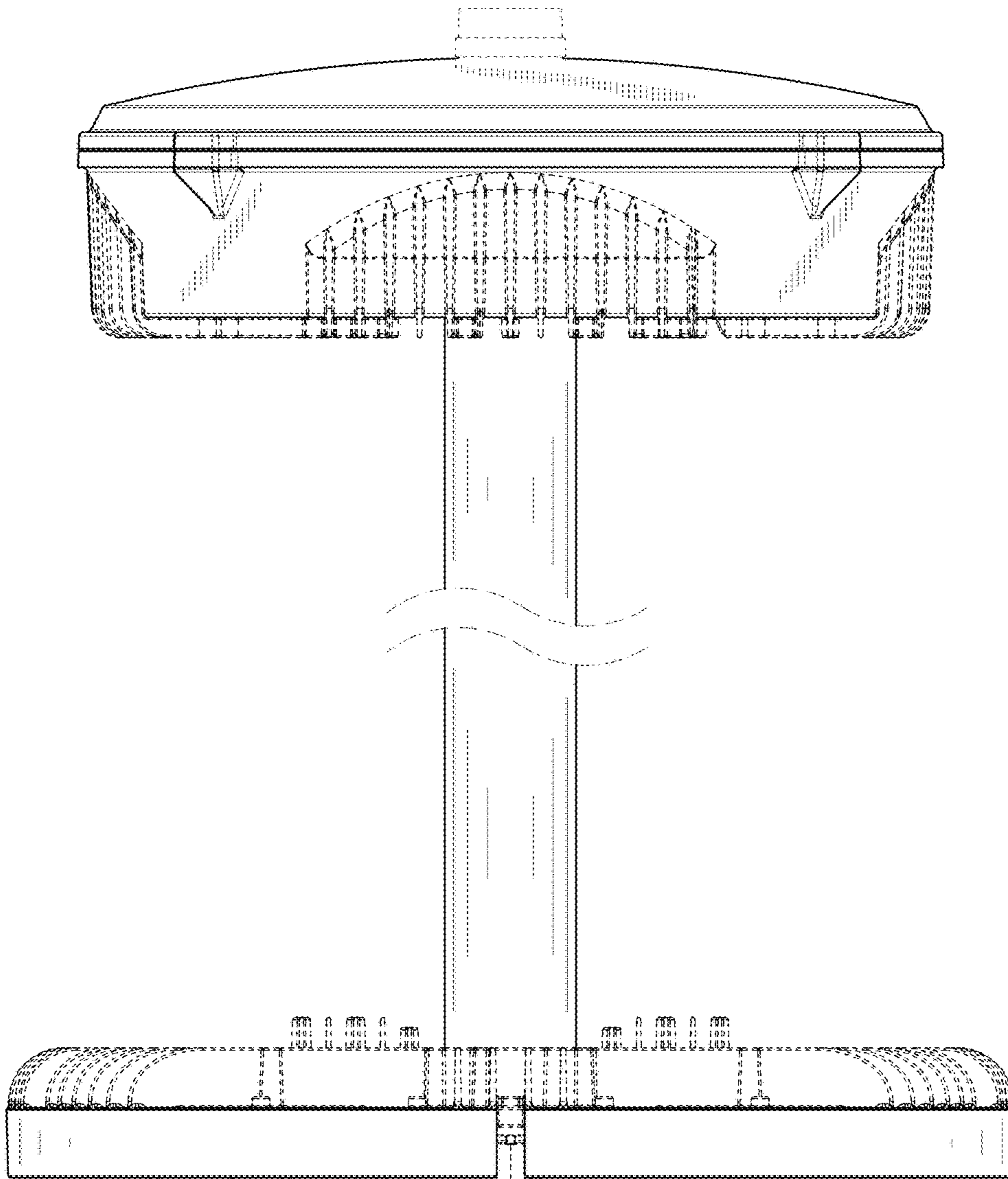


FIG. 8

