



US00D858847S

(12) **United States Design Patent**
Smith et al.

(10) **Patent No.:** **US D858,847 S**

(45) **Date of Patent:** **** Sep. 3, 2019**

(54) **ROADWAY LUMINAIRE**

(71) Applicant: **Eaton Intelligent Power Limited**,
Dublin (IE)

(72) Inventors: **Craig Maurice Smith**, Sharpsburg, GA
(US); **Christopher Ladewig**,
Fayetteville, GA (US)

(73) Assignee: **Cooper Technologies Company**,
Houston, TX (US)

(**) Term: **15 Years**

(21) Appl. No.: **29/650,767**

(22) Filed: **Jun. 8, 2018**

Related U.S. Application Data

(63) Continuation of application No. 29/583,248, filed on
Nov. 3, 2016, now Pat. No. Des. 820,491.

(51) **LOC (12) Cl.** **26-05**

(52) **U.S. Cl.**
USPC **D26/71**

(58) **Field of Classification Search**
USPC D26/63, 67-72, 92
CPC F21S 8/08; F21S 8/085; F21S 8/088; F21S
9/03; F21S 9/037; F21W 2111/02; F21W
2131/103; F21W 2131/107
See application file for complete search history.

(56) **References Cited**

U.S. PATENT DOCUMENTS

D198,812 S	8/1964	Pettengill	
D199,366 S	10/1964	Izzi	
D201,909 S	8/1965	Harling	
D202,212 S	9/1965	Izzi	
D203,764 S *	2/1966	Rutter D26/71
4,432,045 A *	2/1984	Merritt F21V 19/00 362/145

D348,531 S	7/1994	Mehaffey	
D348,945 S	7/1994	Mehaffey	
D634,465 S	3/2011	Siefker	
D660,493 S	5/2012	Janssen	
D681,251 S	4/2013	Romeu	
D718,483 S	11/2014	Meredith	
D743,082 S *	11/2015	Neri D26/71
D764,091 S	8/2016	Snell	
D783,875 S *	4/2017	Kaoh D26/71
D808,055 S	1/2018	Van Roosmalen	
D817,532 S *	5/2018	Iguchi F21V 19/00 D26/71

(Continued)

OTHER PUBLICATIONS

Streetworks; OVF LED Roadway Large Cobrahead; Eaton; Jan. 22,
2016.

(Continued)

Primary Examiner — Clare E Heflin

(74) *Attorney, Agent, or Firm* — King & Spalding LLP

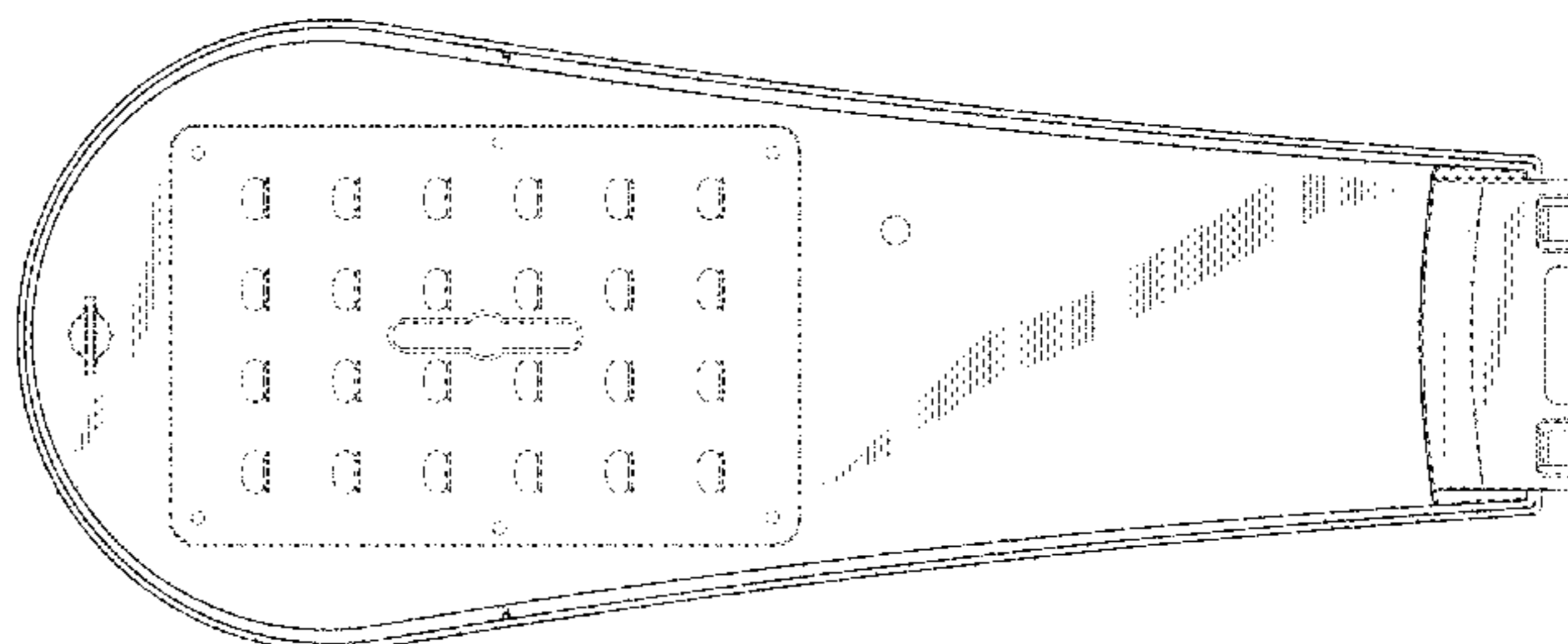
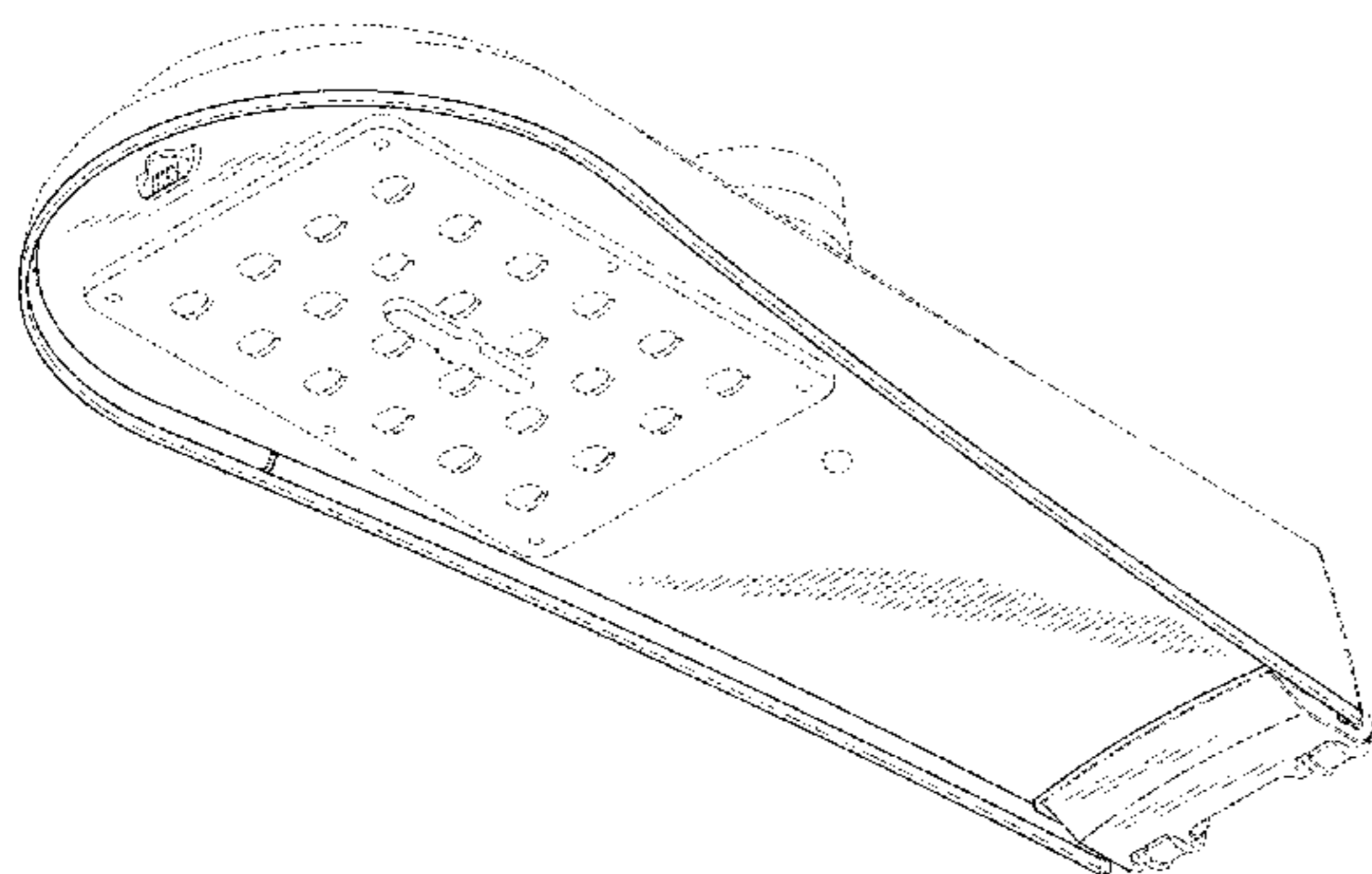
(57) **CLAIM**

The ornamental design for a roadway luminaire, as shown
and described.

DESCRIPTION

FIG. 1 is a bottom perspective view of a roadway luminaire,
showing our new design;
FIG. 2 is a top perspective view thereof;
FIG. 3 is a top plan view thereof;
FIG. 4 is a bottom plan view thereof;
FIG. 5 is a left side view thereof;
FIG. 6 is a right side view thereof;
FIG. 7 is a front view thereof; and,
FIG. 8 is a rear view thereof.
The broken lines shown in the figures represent portions of
the roadway luminaire that form no part of the claimed
design.

1 Claim, 6 Drawing Sheets



(56)

References Cited

U.S. PATENT DOCUMENTS

D820,491 S * 6/2018 Smith F21S 8/086
D26/71
D838,027 S * 1/2019 Bobel F21V 29/004
D26/71
2008/0298062 A1* 12/2008 Wang F21S 8/086
362/247
2012/0162980 A1* 6/2012 Mrakovich F21V 29/763
362/235
2013/0229807 A1 9/2013 Huang

OTHER PUBLICATIONS

Streetworks; OVF Flat Glass 70-250W; Eaton; Jan. 26, 2016.
Lumark; RC LED Roadway Small Cutoff Cobrahead; 1-4 LightBARs
Solid State LED; Eaton Jan. 11, 2016.

* cited by examiner

FIG. 1

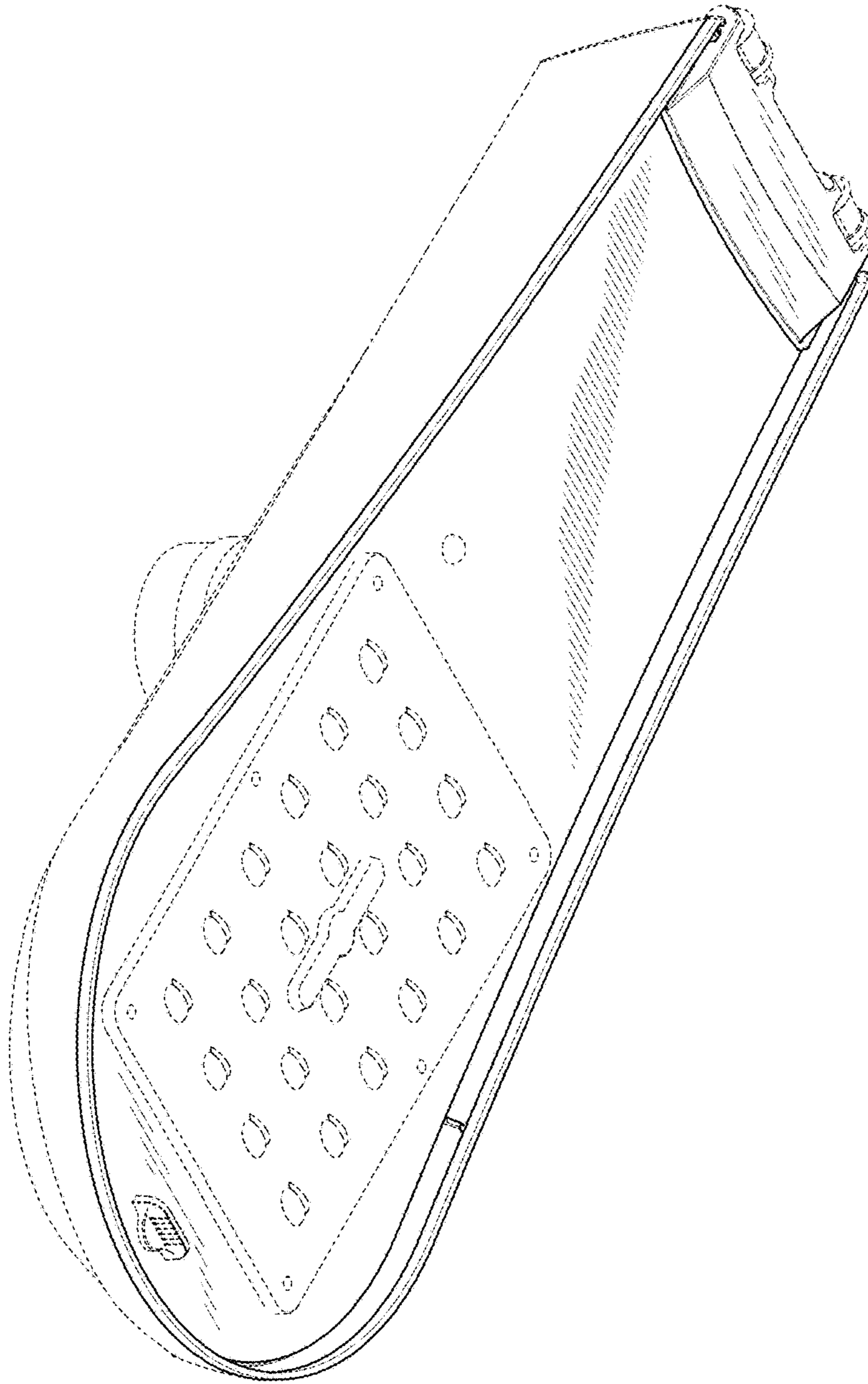


FIG. 2

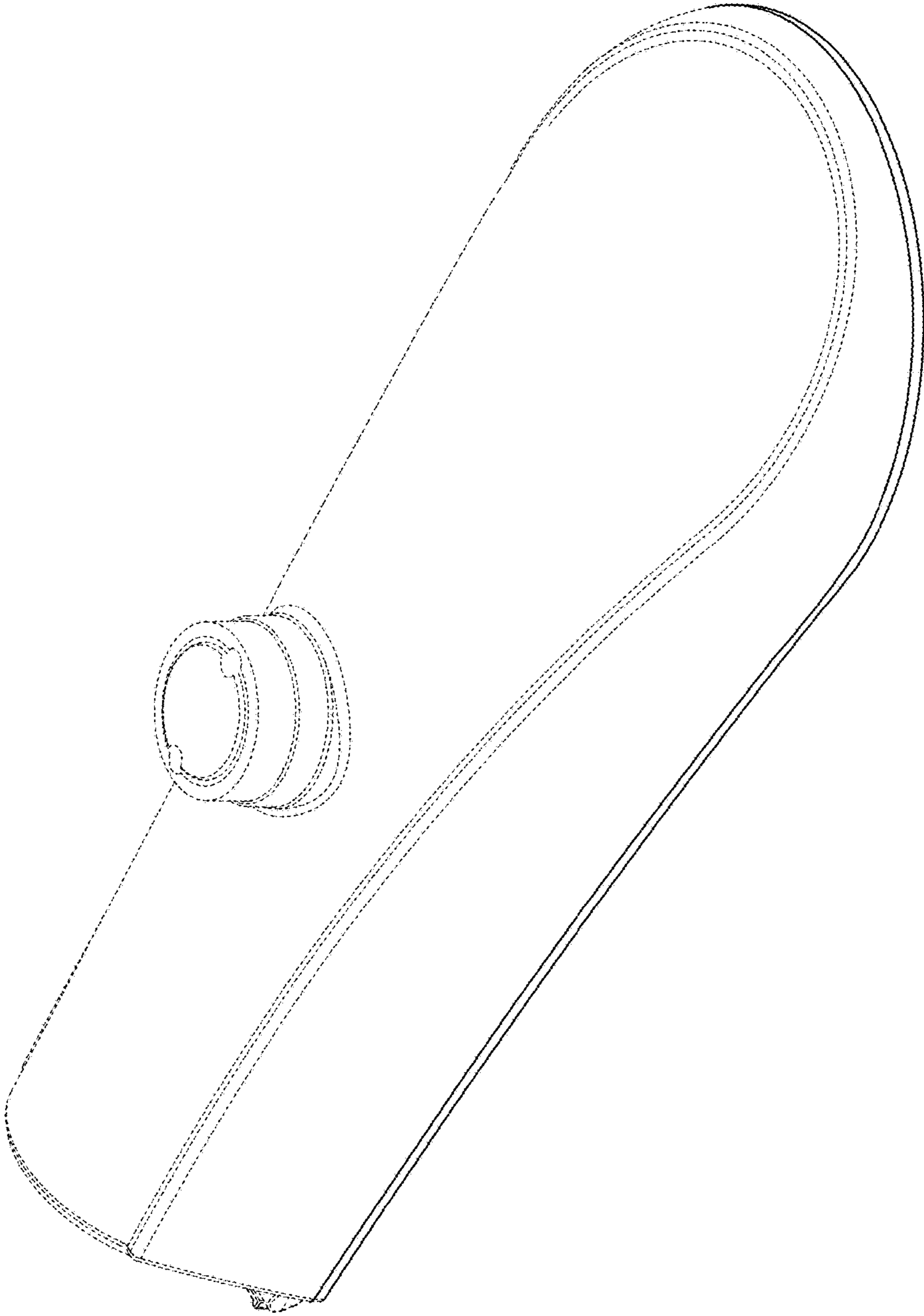


FIG. 3

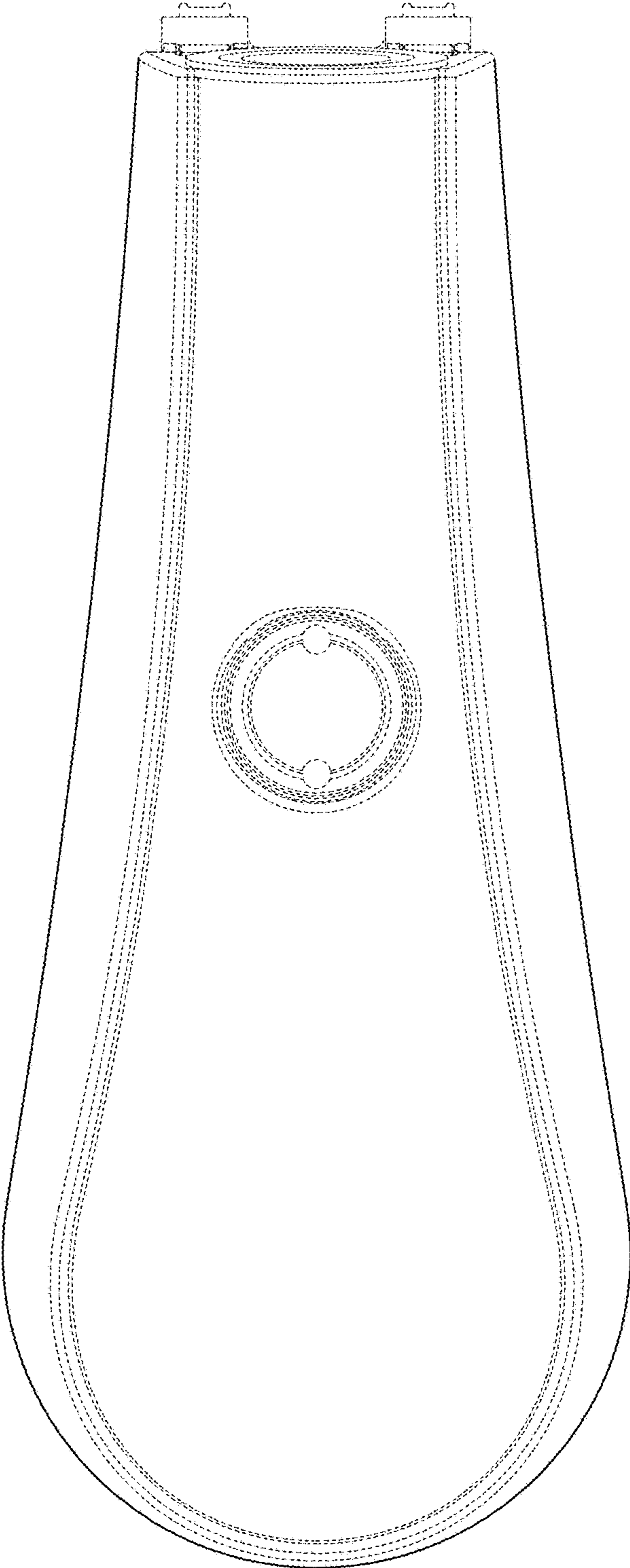
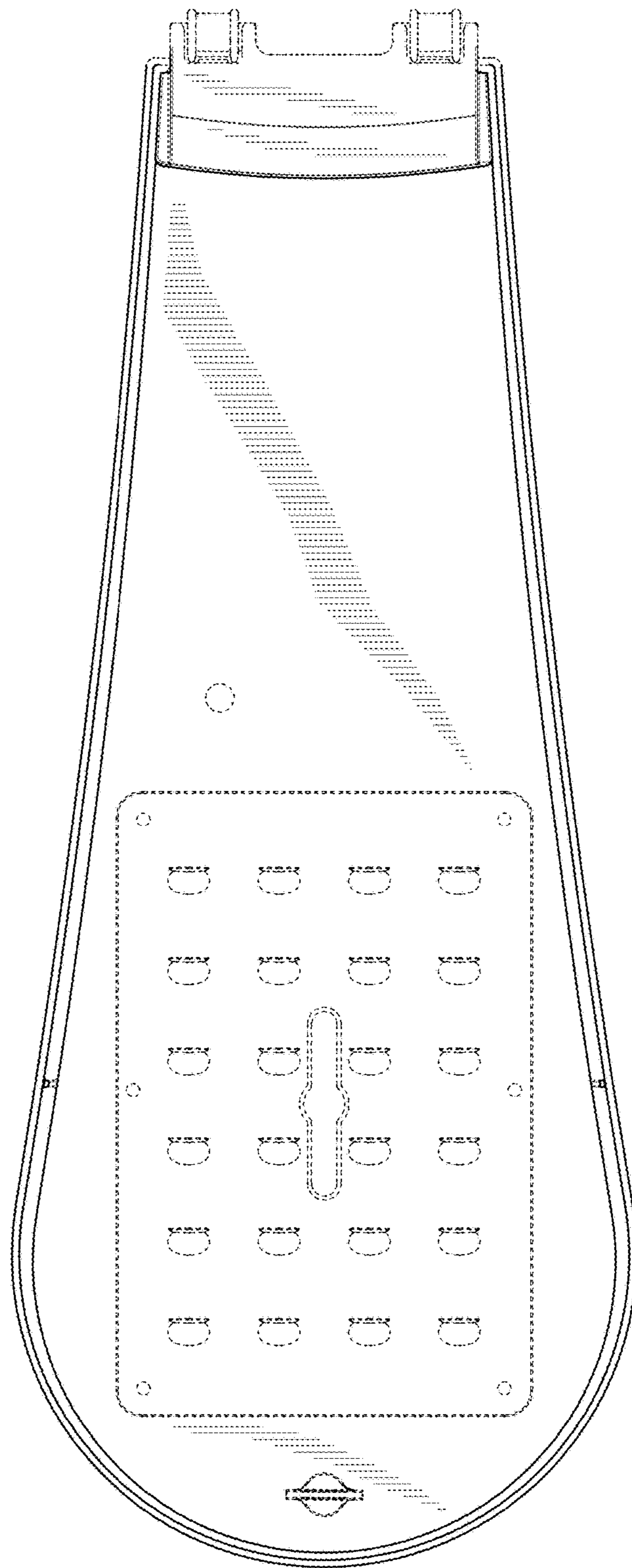


FIG. 4



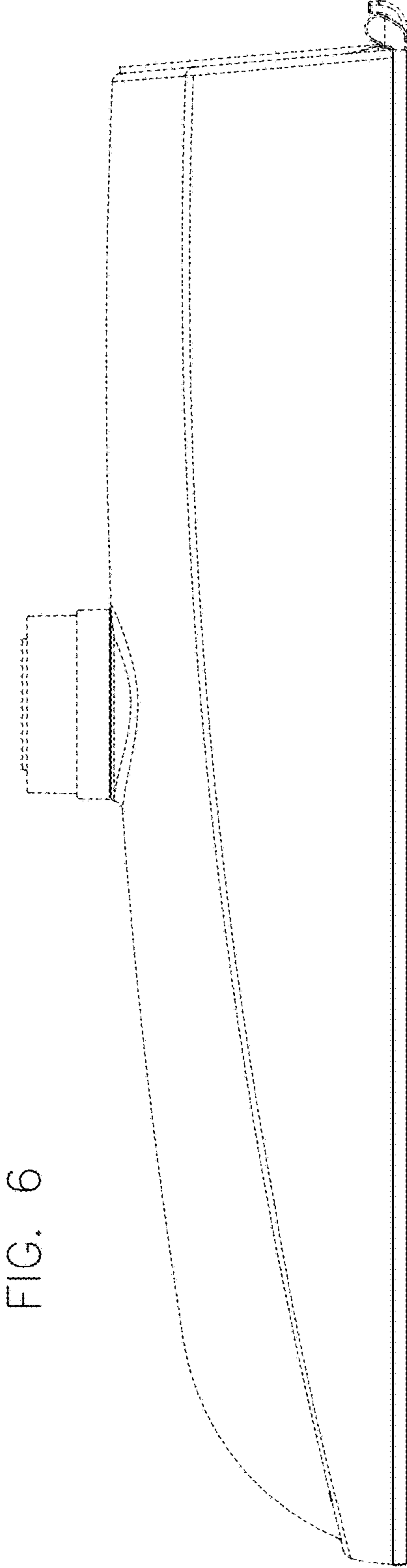
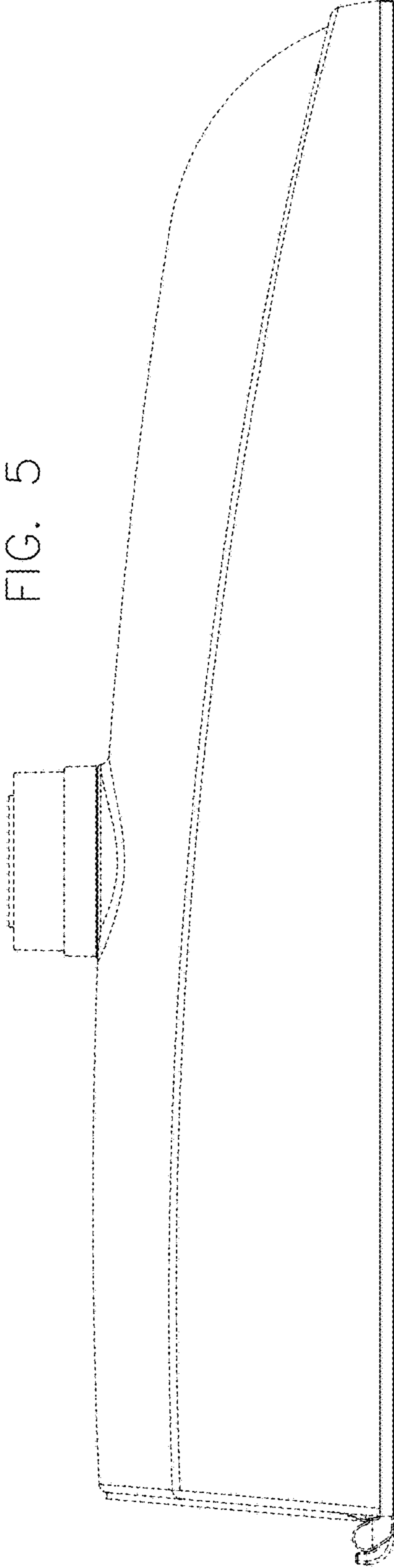


FIG. 8

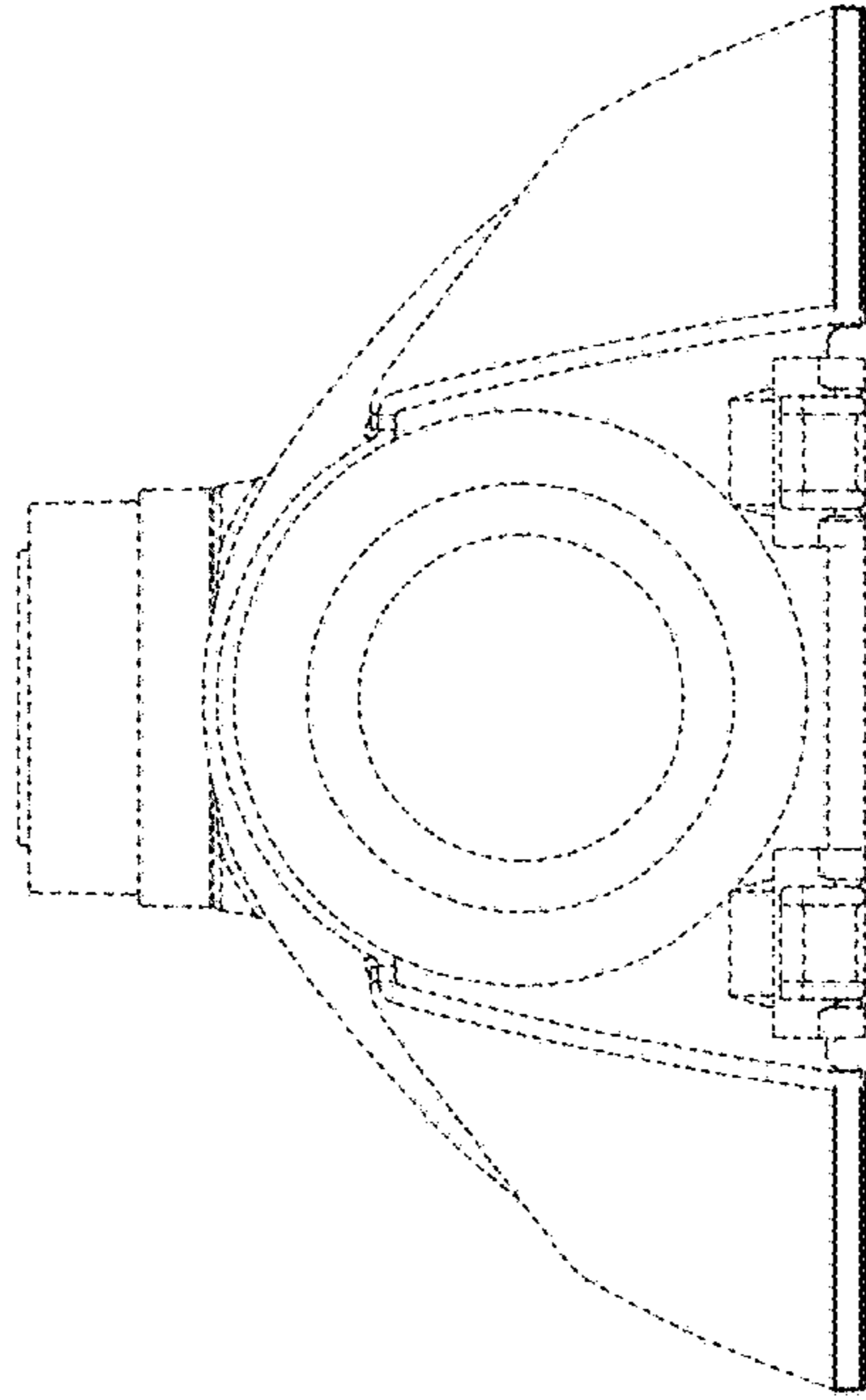


FIG. 7

