



US00D858846S

(12) **United States Design Patent** (10) **Patent No.:** **US D858,846 S**
Flügel et al. (45) **Date of Patent:** **** Sep. 3, 2019**

(54) **LED LIGHT PROJECTOR**

(56) **References Cited**

(71) Applicant: **JENOPTIK POLYMER SYSTEMS GMBH**, Triptis (DE)

U.S. PATENT DOCUMENTS

(72) Inventors: **Matthias Flügel**, Berlin (DE); **Torsten Trenkler**, Berlin (DE)

D641,917 S *	7/2011	Toratani	D26/93
D650,109 S *	12/2011	Maxik	D26/63
D659,867 S *	5/2012	Zhan	D16/239
D666,345 S *	8/2012	Wang	D26/63
D693,507 S *	11/2013	Fletcher	D26/63
D702,387 S *	4/2014	Pedersen	D26/63
D711,576 S *	8/2014	Zhan	D26/63
D740,985 S *	10/2015	Dooley	D26/37
D762,912 S *	8/2016	Gevorkyan	D26/104
D784,581 S *	4/2017	Swai	D26/63
D785,219 S *	4/2017	Swai	D26/63

(73) Assignee: **JENOPTIK Polymer Systems GmbH**, Triptis (DE)

(**) Term: **15 Years**

(Continued)

(21) Appl. No.: **35/503,030**

(22) Filed: **Apr. 27, 2017**

FOREIGN PATENT DOCUMENTS

(80) **Hague Agreement Data**

CN	201149185 Y	11/2008
CN	202884632 U	10/2010

Int. Filing Date: **Apr. 27, 2017**

Int. Reg. No.: **DM/096041**

Int. Reg. Date: **Apr. 27, 2017**

Int. Reg. Pub. Date: **May 26, 2017**

(Continued)

Primary Examiner — **Natasha Vujcic**

(74) *Attorney, Agent, or Firm* — **Muncy, Geissler, Olds & Lowe, P.C.**

(30) **Foreign Application Priority Data**

Nov. 3, 2016 (EM) 003446087

(51) **LOC (12) Cl.** **26-05**

(52) **U.S. Cl.**
USPC **D26/63**

(58) **Field of Classification Search**
USPC D26/24, 37, 72, 73, 76, 78, 79, 80, 81, D26/82, 83, 85, 86, 88, 90, 93, 111, 113, D26/118, 119, 120, 121, 122, 138, 139, D26/140, 141, 142, 152
CPC F21S 2/00; F21S 4/00; F21S 4/003; F21S 4/005; F21S 4/006; F21S 4/007; F21S 4/008; F21S 6/00; F21S 8/00; F21S 8/024; F21S 8/026; F21S 8/031; F21S 8/033; F21S 8/035–8/037; F21S 8/04; F21S 8/043; F21S 8/063

See application file for complete search history.

(57) **CLAIM**

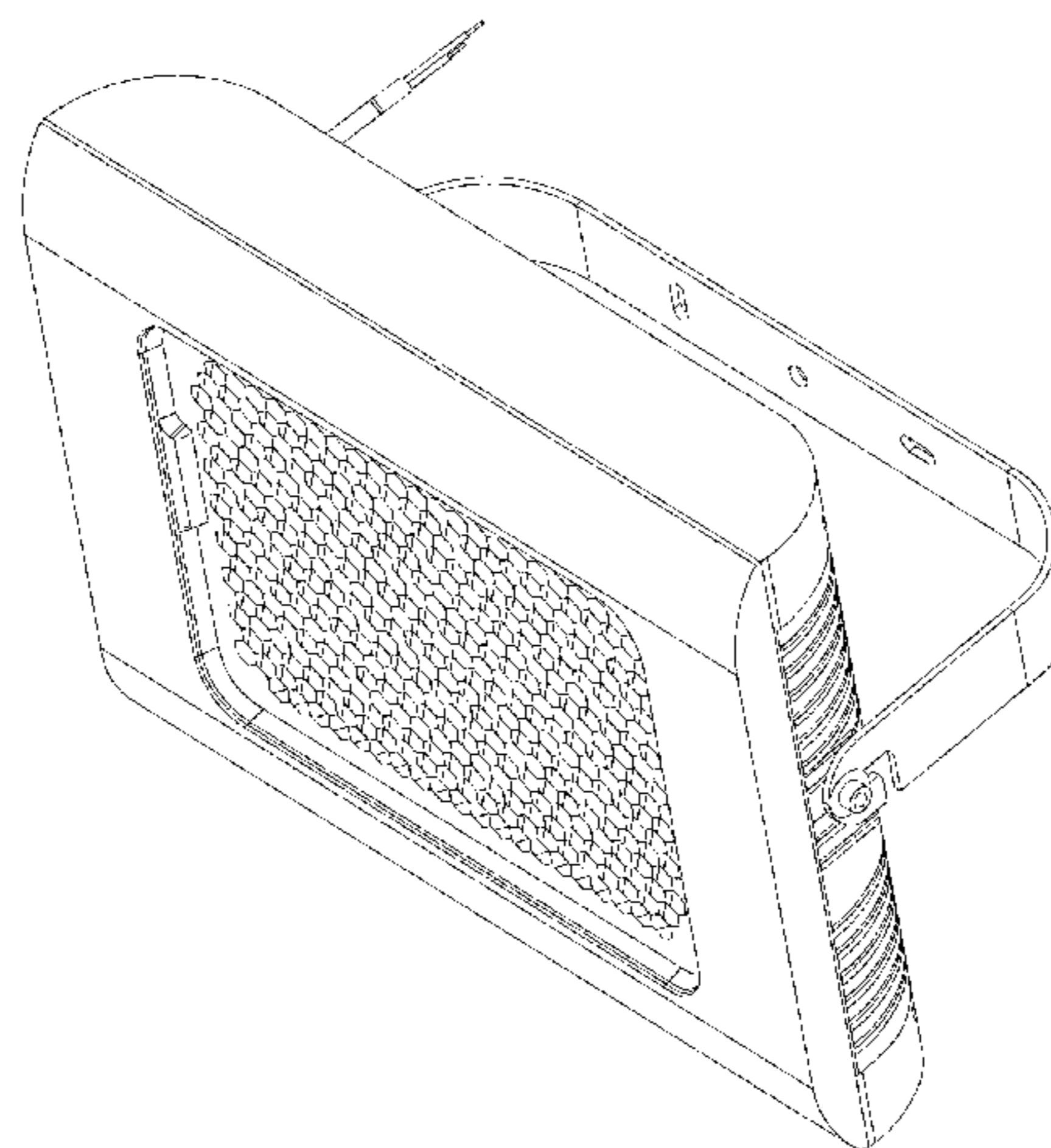
The ornamental design for a LED light projector, as shown and described.

DESCRIPTION

- 1. LED light projector
- 1.1: Perspective
- 1.2: Front
- 1.3: Back
- 1.4: Left
- 1.5: Right
- 1.6: Top
- 1.7: Bottom
- 1.8: Perspective

The dashed lines illustrate environment that does not form a part of the present invention, and no claim is made to the material illustrated with dashed lines.

1 Claim, 8 Drawing Sheets



(56)

References Cited

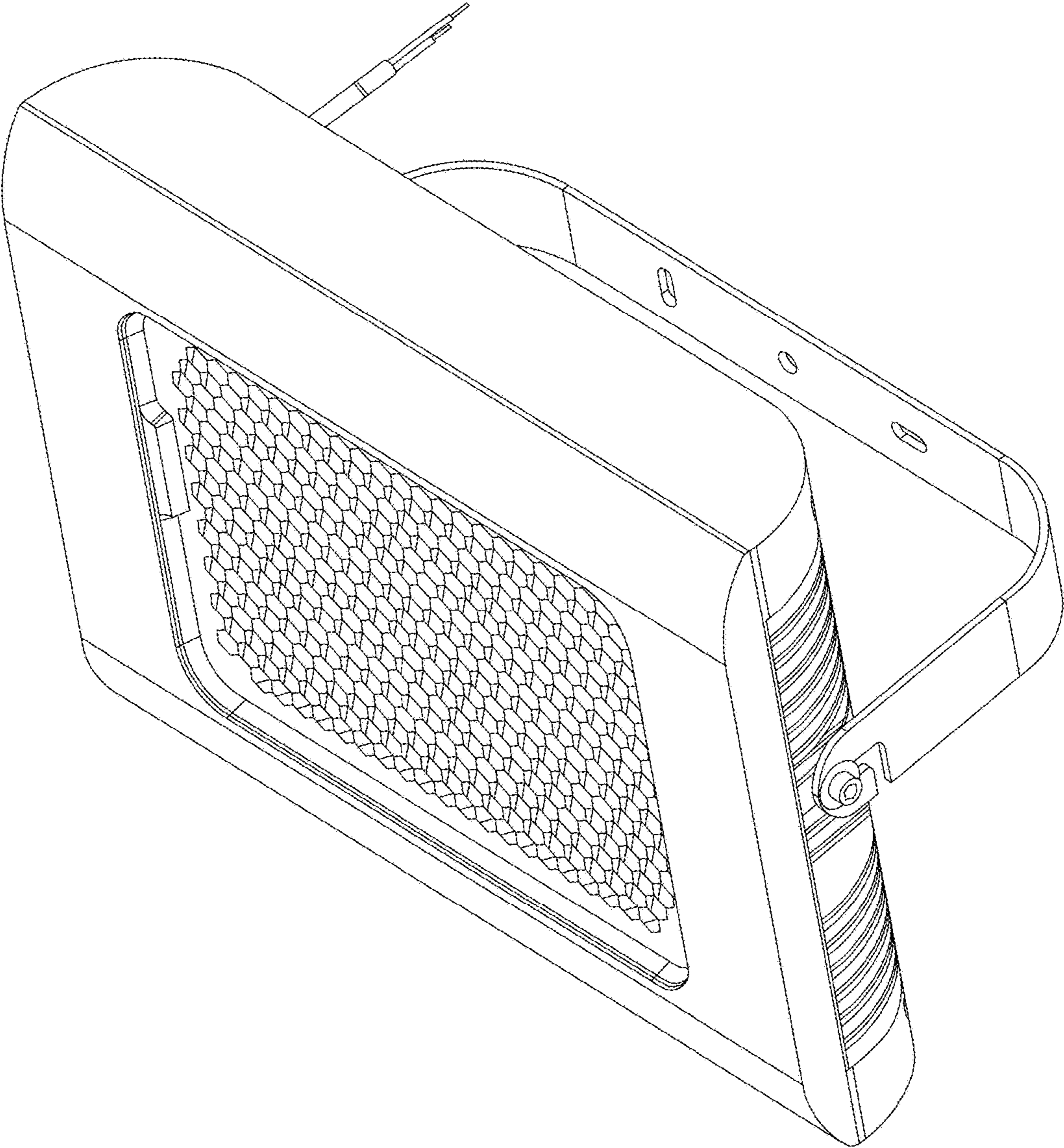
U.S. PATENT DOCUMENTS

2010/0014289 A1* 1/2010 Thomas F21V 15/01
362/235
2010/0328949 A1 12/2010 Lai et al.
2012/0250321 A1 10/2012 Blincoe et al.
2015/0198298 A1 7/2015 Scarlata et al.
2015/0198310 A1 7/2015 Scarlata et al.

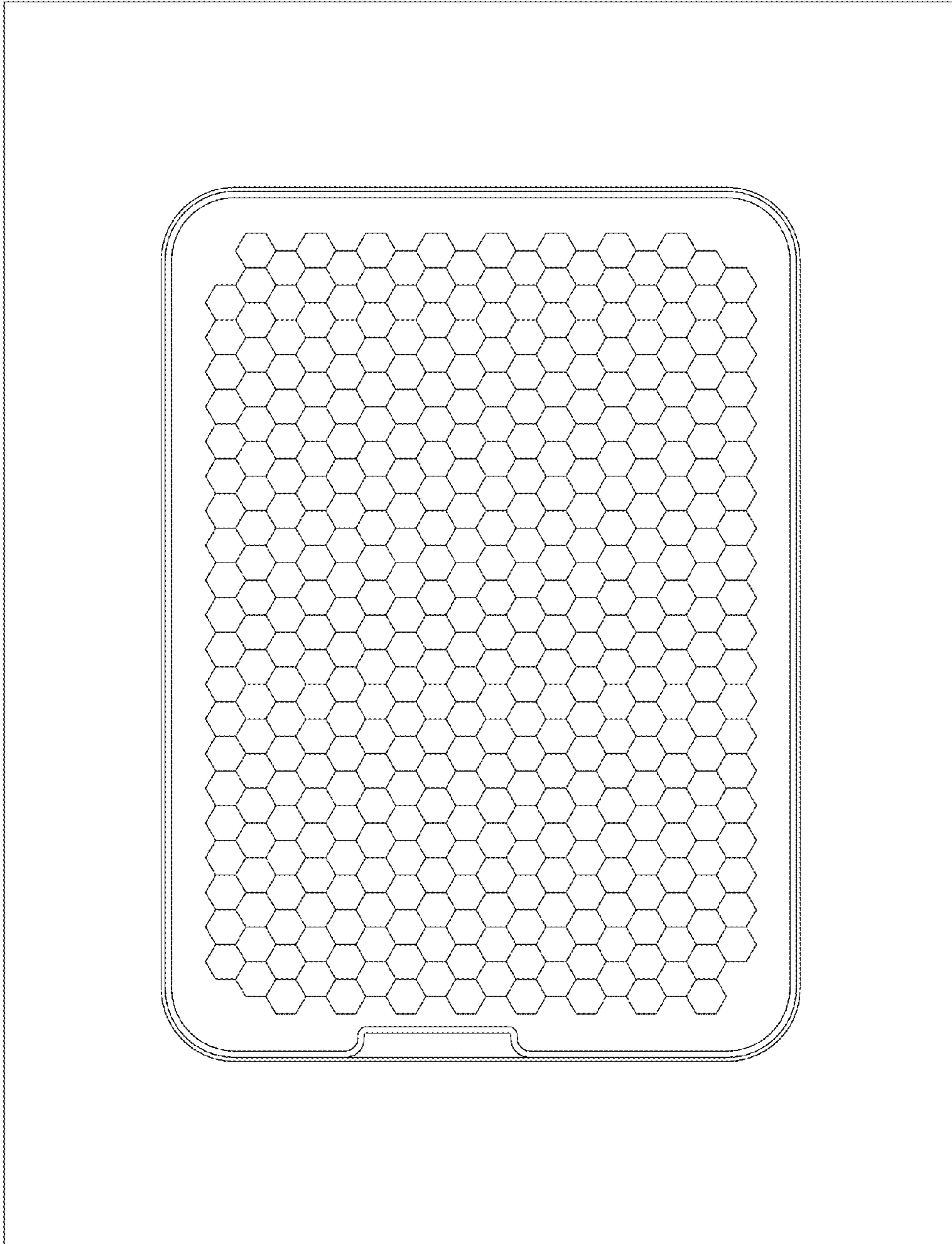
FOREIGN PATENT DOCUMENTS

CN 202884632 U 4/2013
EM 002732438-0001 7/2009
WO WO 2009/081382 A1 7/2009
WO WO 2011/037667 A1 3/2011

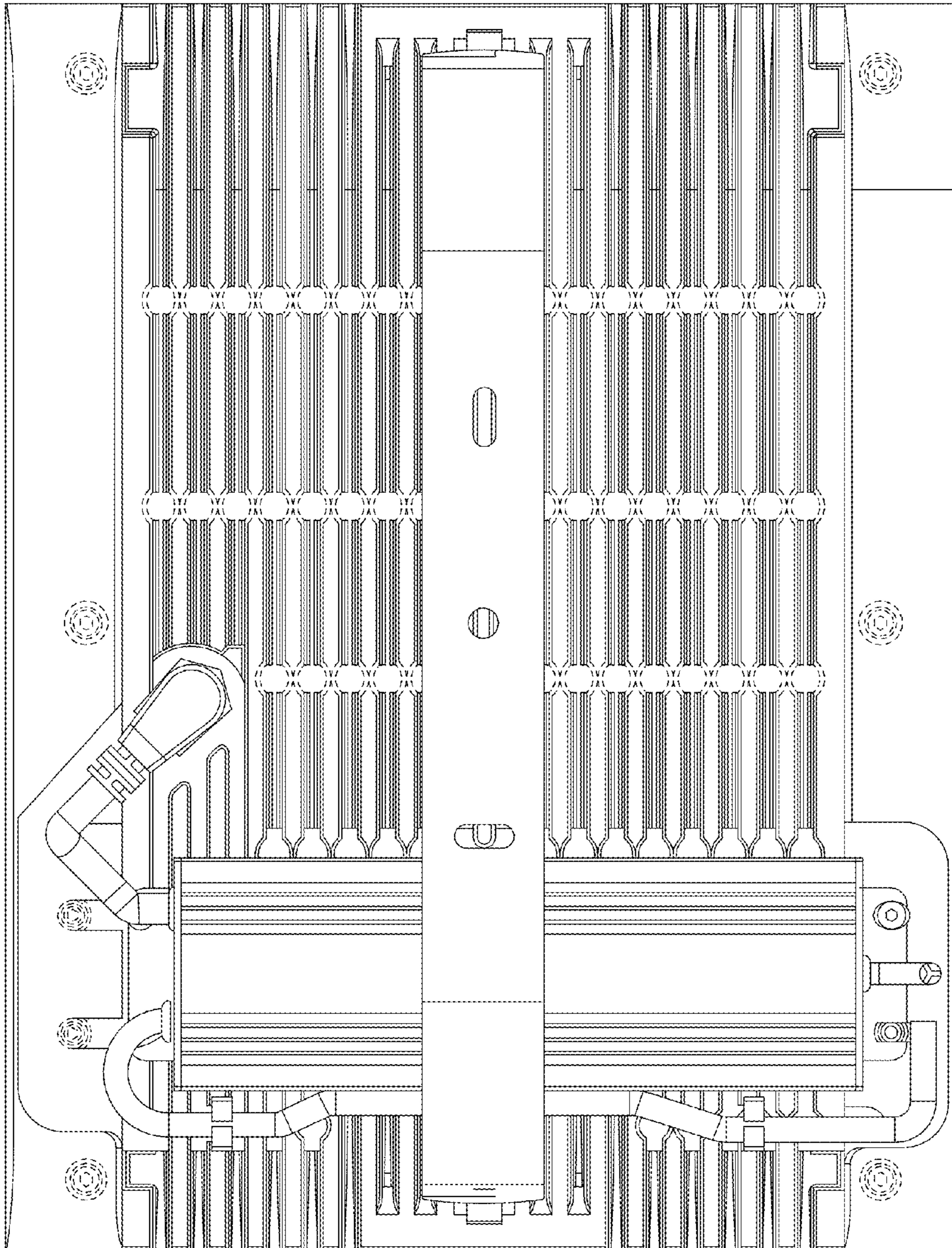
* cited by examiner



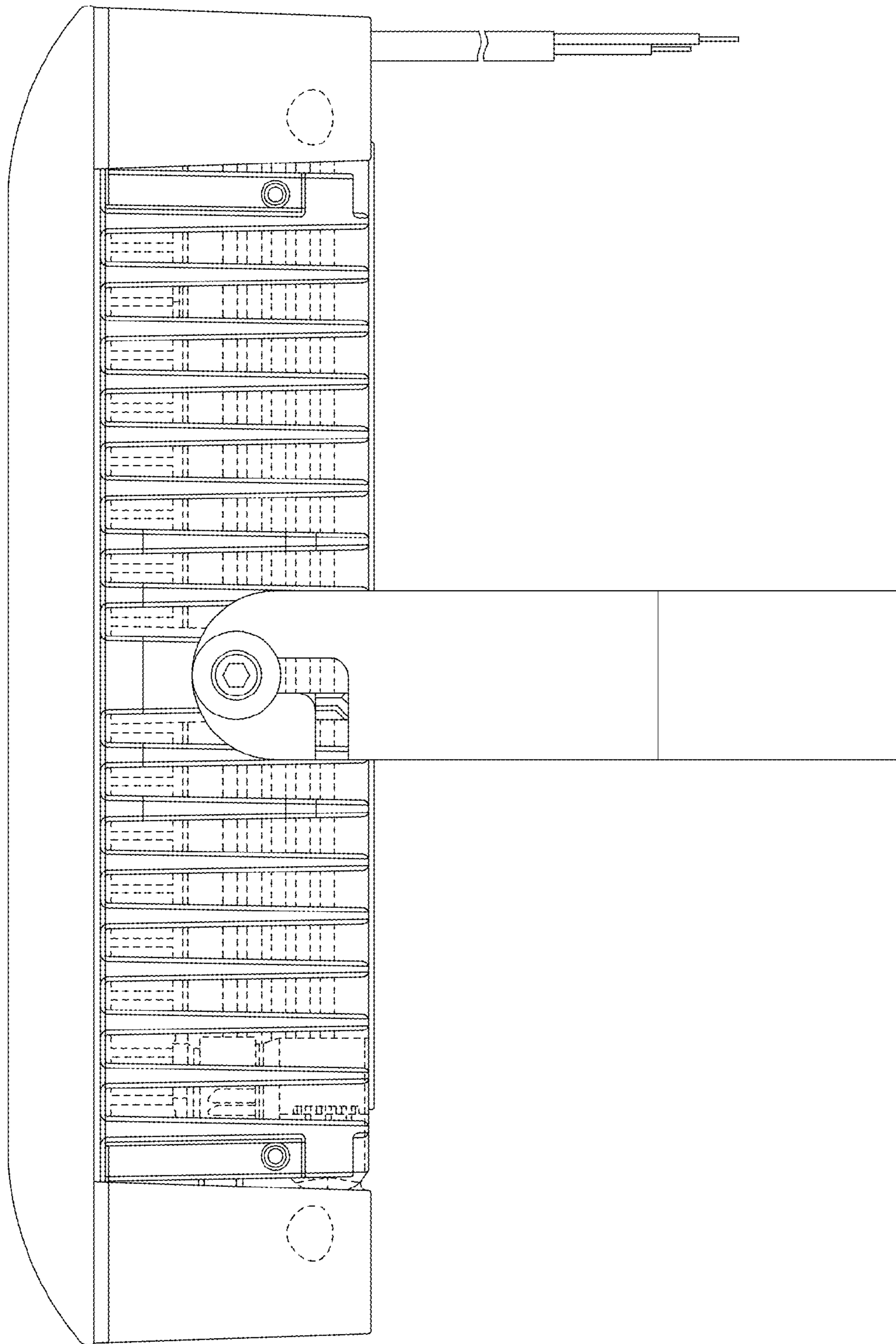
1.1

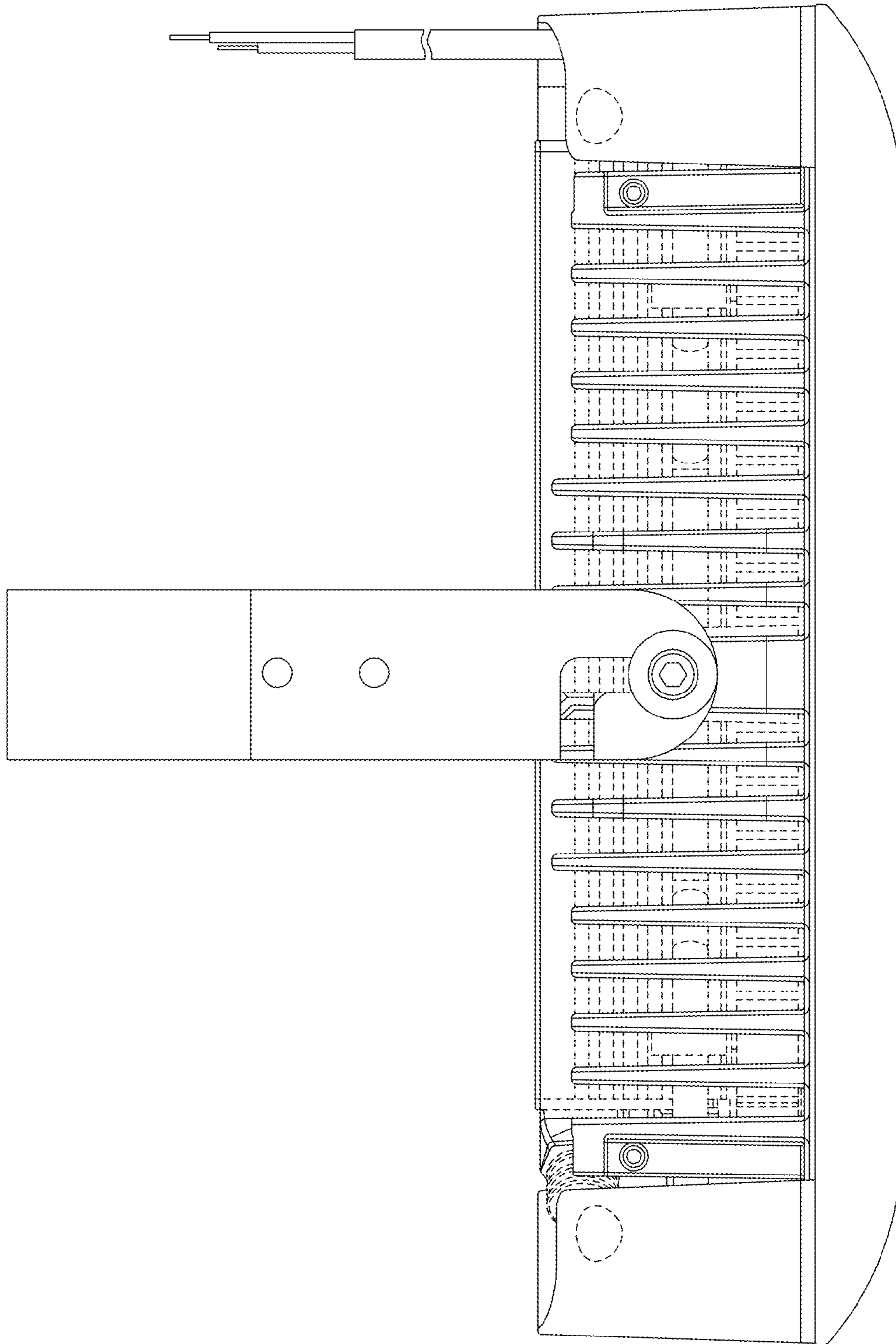


1.2

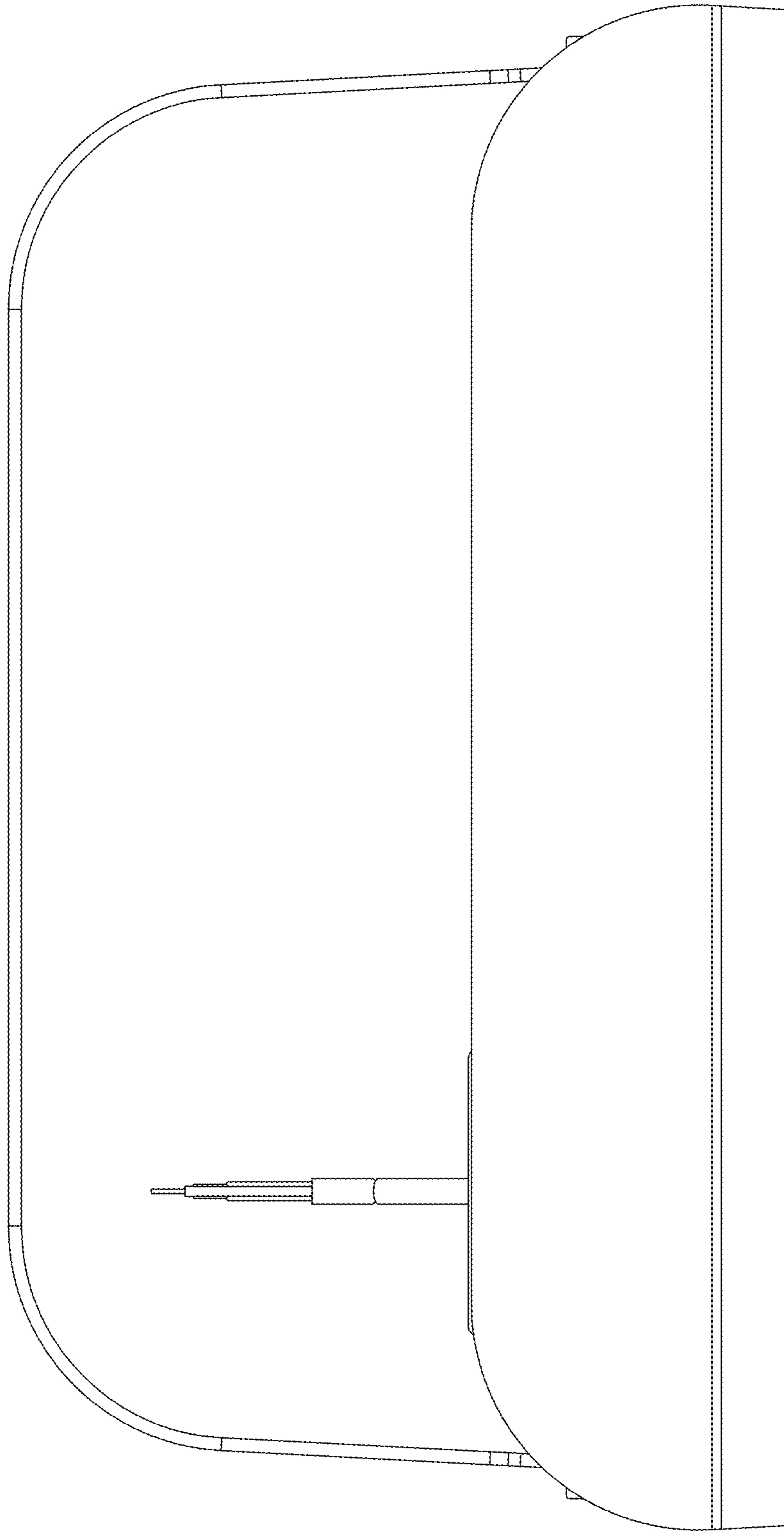


1.3

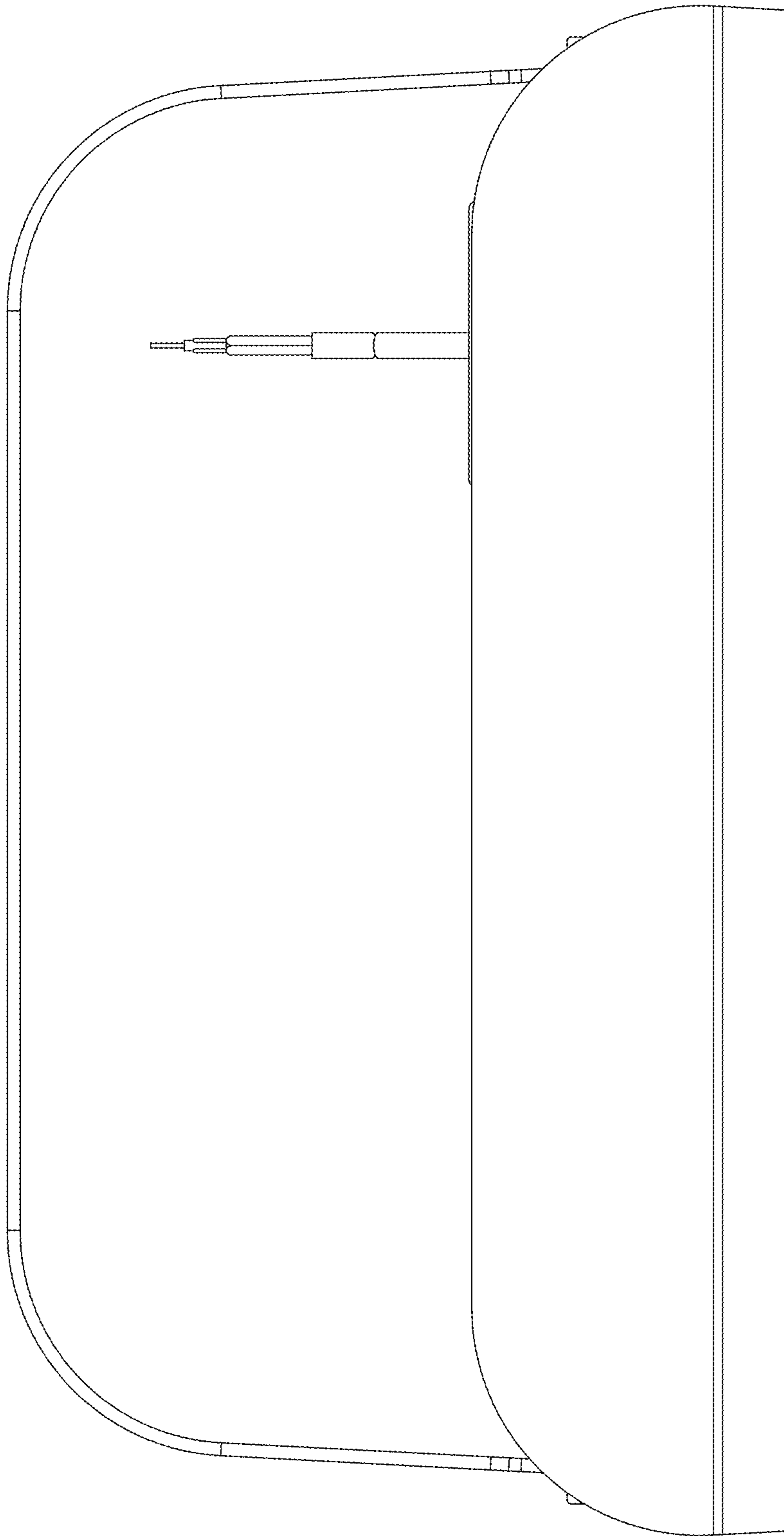




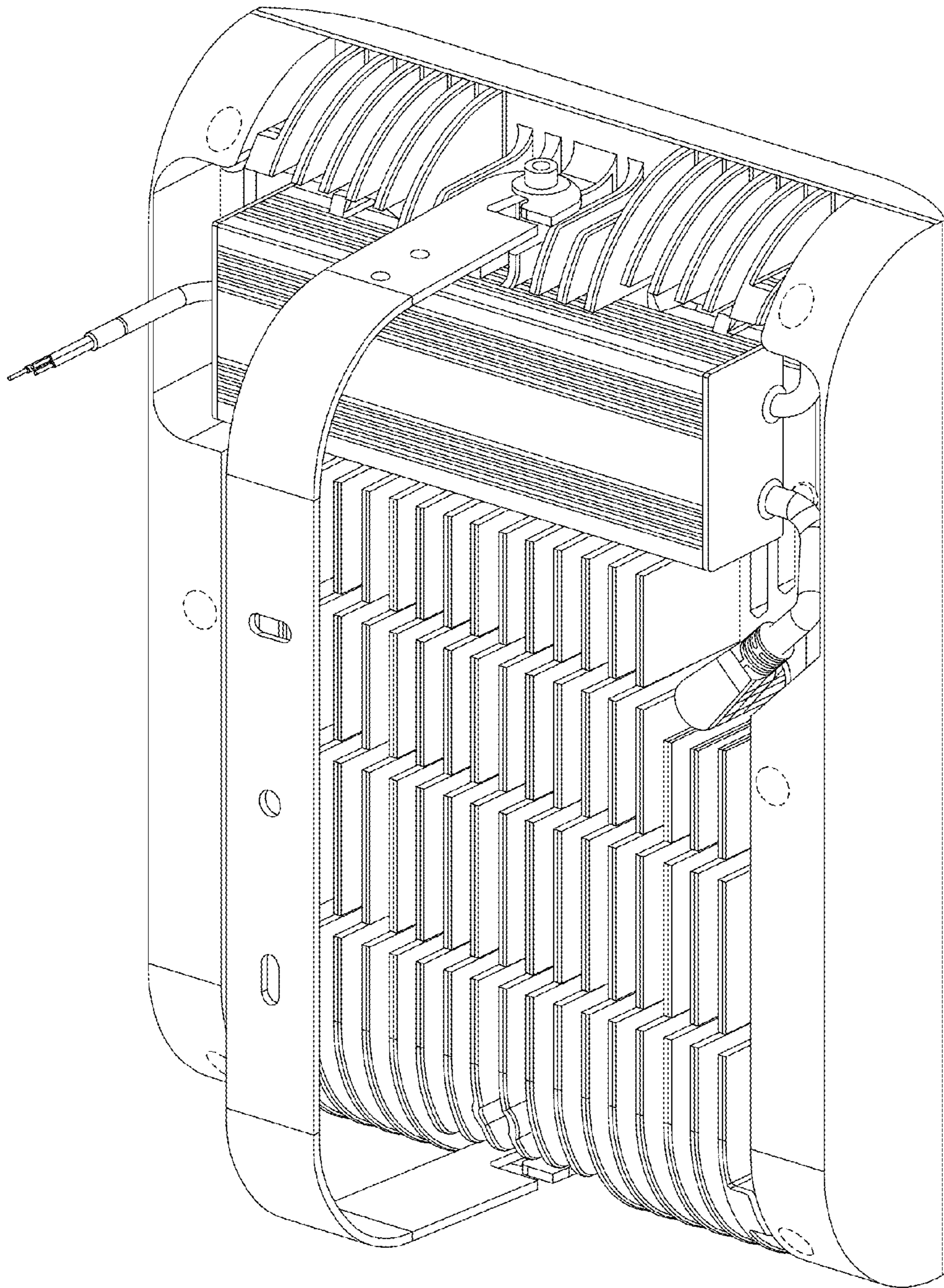
1.5



1.6



1.7



1.8