



US00D858845S

(12) **United States Design Patent**
Zhang

(10) **Patent No.:** **US D858,845 S**

(45) **Date of Patent:** **** Sep. 3, 2019**

(54) **DUAL HEADLIGHT**

(71) Applicant: **Shenzhen City Yuyiyuan Technology Co., Ltd.**, Guangdong (CN)

(72) Inventor: **Donglin Zhang**, Guangdong (CN)

(**) Term: **15 Years**

(21) Appl. No.: **29/647,138**

(22) Filed: **May 10, 2018**

(51) **LOC (12) Cl.** **26-03**

(52) **U.S. Cl.**
USPC **D26/63**

(58) **Field of Classification Search**
USPC D26/24, 37, 44, 60, 61, 63-66, 69, 70,
D26/72, 74, 80, 81, 83, 85-87, 92, 102,
D26/113
CPC F21S 8/00; F21S 8/003; F21S 8/043; F21S
8/08; F21V 14/00; F21V 14/02; F21V
15/01; F21V 17/02; F21V 21/00; F21V
21/06; F21V 21/14; F21V 21/26; F21V
21/30; F21V 23/02; F21V 23/04; F21V
29/00

See application file for complete search history.

(56) **References Cited**

U.S. PATENT DOCUMENTS

D316,456 S * 4/1991 De Candia D26/63
D438,998 S * 3/2001 Finke D10/106.1
D583,974 S * 12/2008 Johnson D26/61
D713,582 S * 9/2014 Liang D26/63

D774,231 S * 12/2016 Recker D26/63
D805,672 S * 12/2017 Dai D26/63
D810,982 S * 2/2018 Liang D26/63
D822,246 S * 7/2018 Hou D26/51
10,107,480 B1 * 10/2018 Ladewig F21V 17/02

OTHER PUBLICATIONS

Outdoor Lighting Control Systems, dated Jun. 13, 2017, [online], [site visited Apr. 8, 2019]. Available from Internet, <URL: <http://controlsystemslighting.blogspot.com/2017/06/aldi-security-light.html>> (Year: 2017).*

* cited by examiner

Primary Examiner — Angela J Lee

Assistant Examiner — Shawn T Gingrich

(74) *Attorney, Agent, or Firm* — Prakash Nama; Global IP Services, PLLC

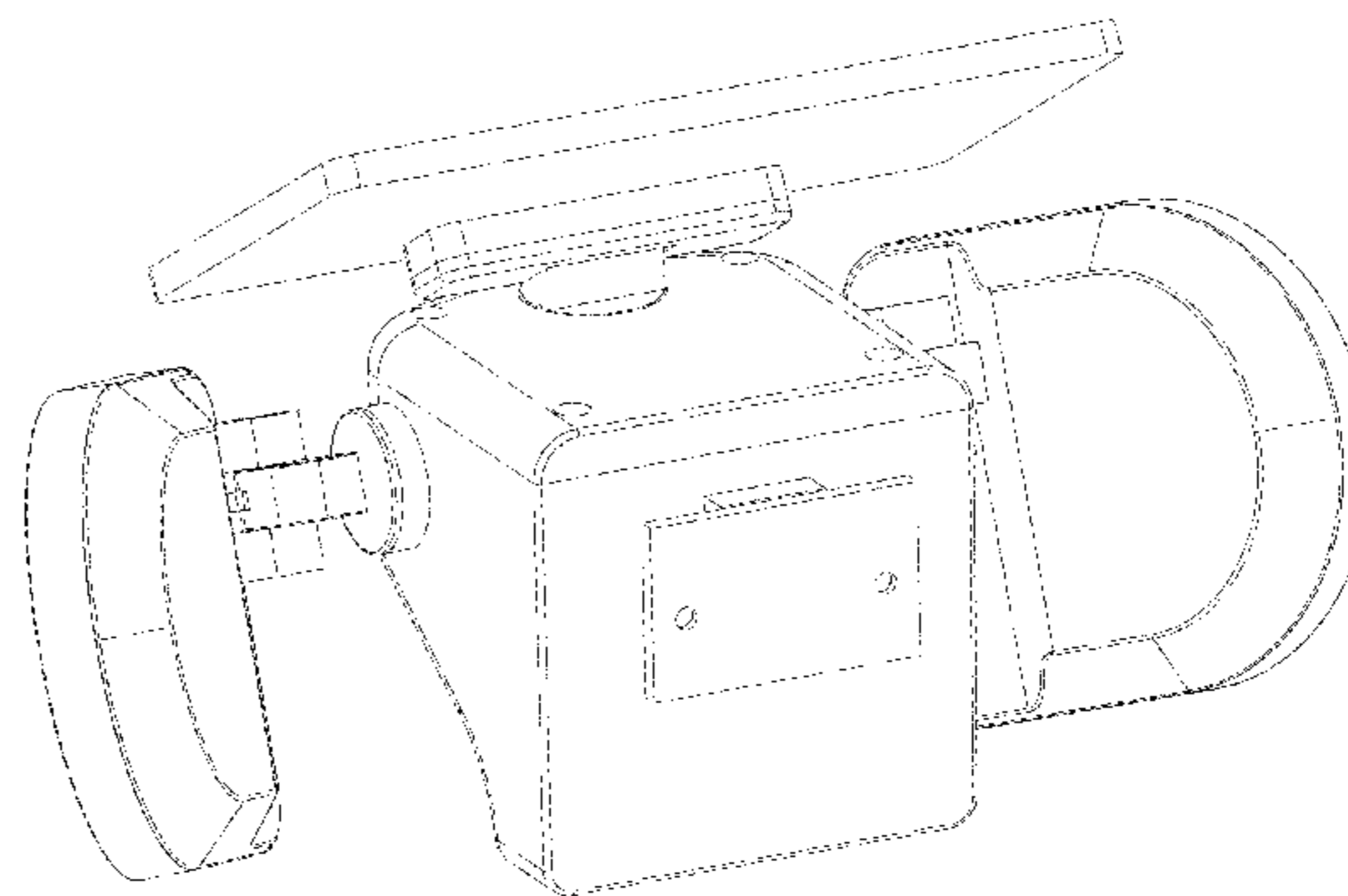
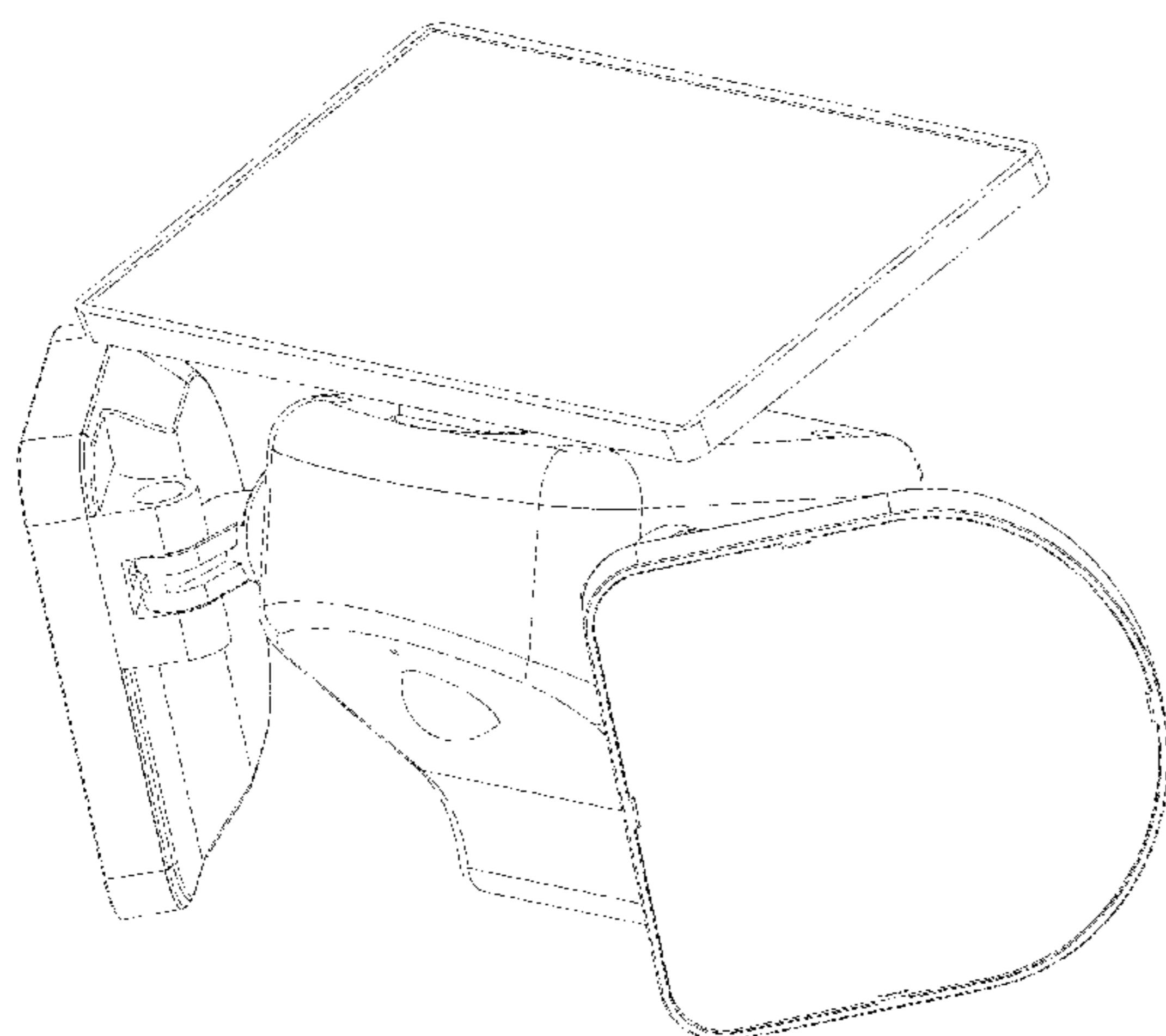
(57) **CLAIM**

The ornamental design for a dual headlight, as shown and described.

DESCRIPTION

FIG. 1 is a front elevational view of a dual headlight showing my new design;
FIG. 2 is a rear elevational view thereof;
FIG. 3 is a left side view in enlarge scale thereof;
FIG. 4 is a right side view in enlarge scale thereof;
FIG. 5 is a top plan view thereof;
FIG. 6 is a bottom plan view thereof;
FIG. 7 is a perspective view thereof;
FIG. 8 is a second perspective view thereof; and,
FIG. 9 is a third perspective view thereof.

1 Claim, 9 Drawing Sheets



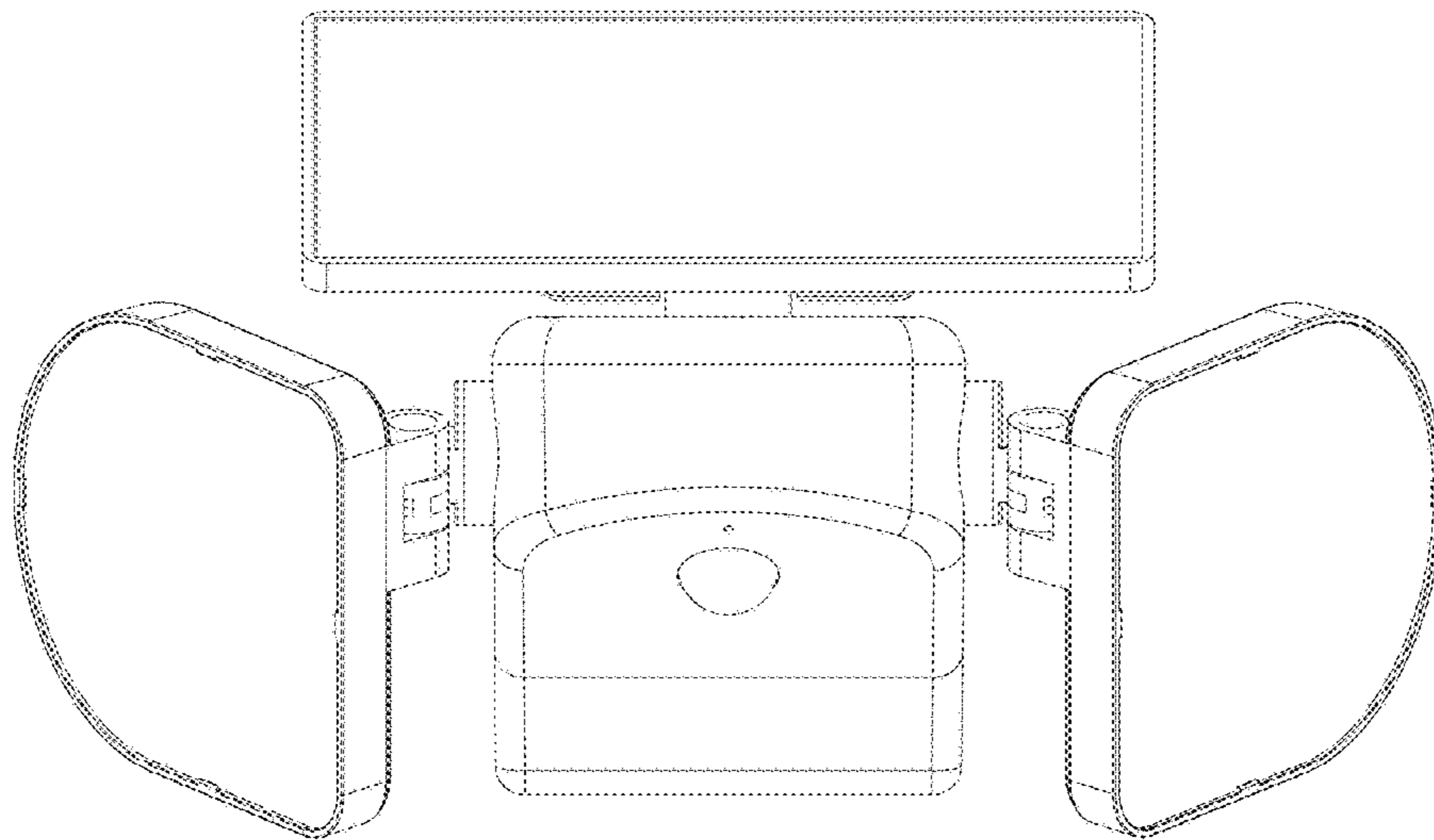


Fig. 1

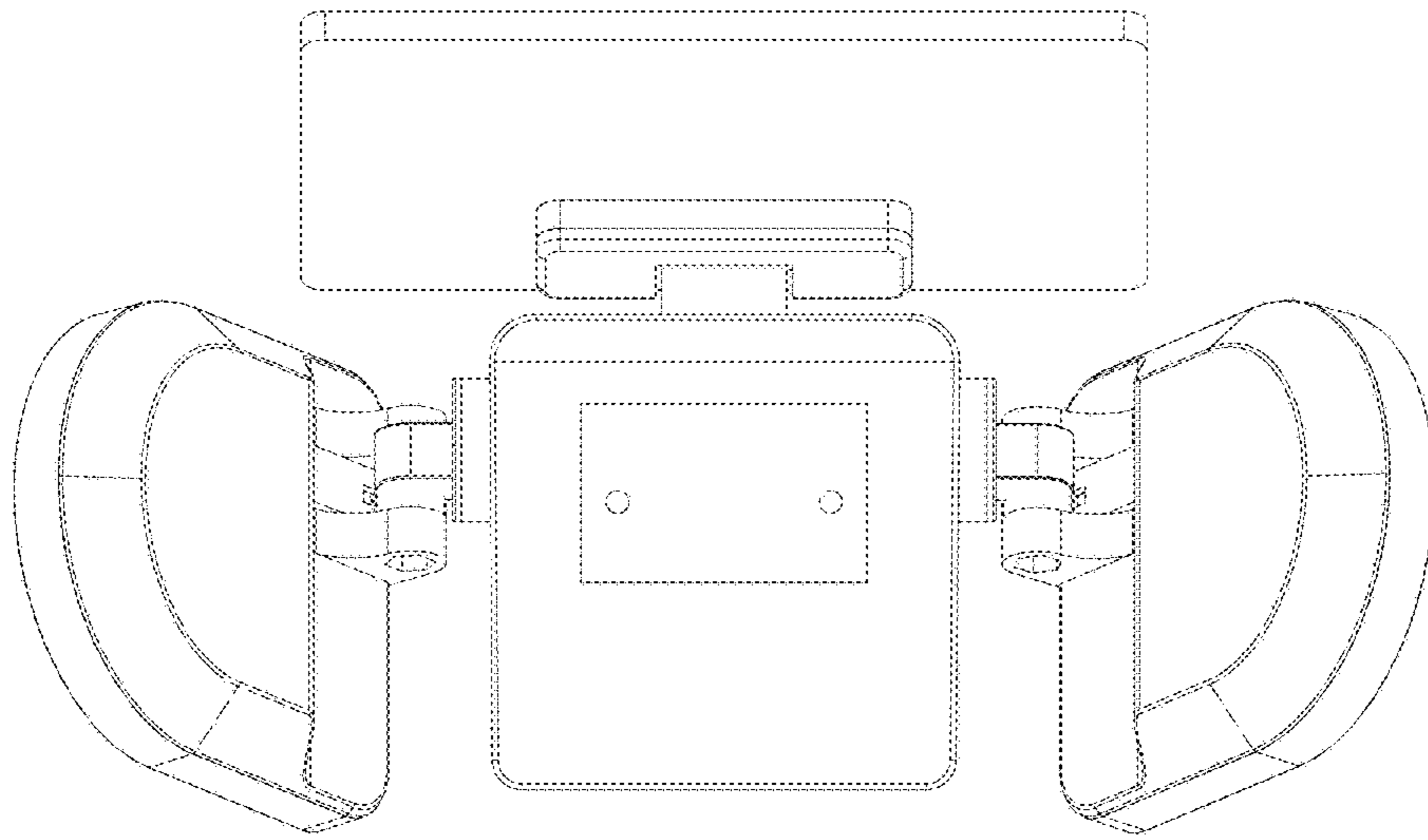


Fig. 2

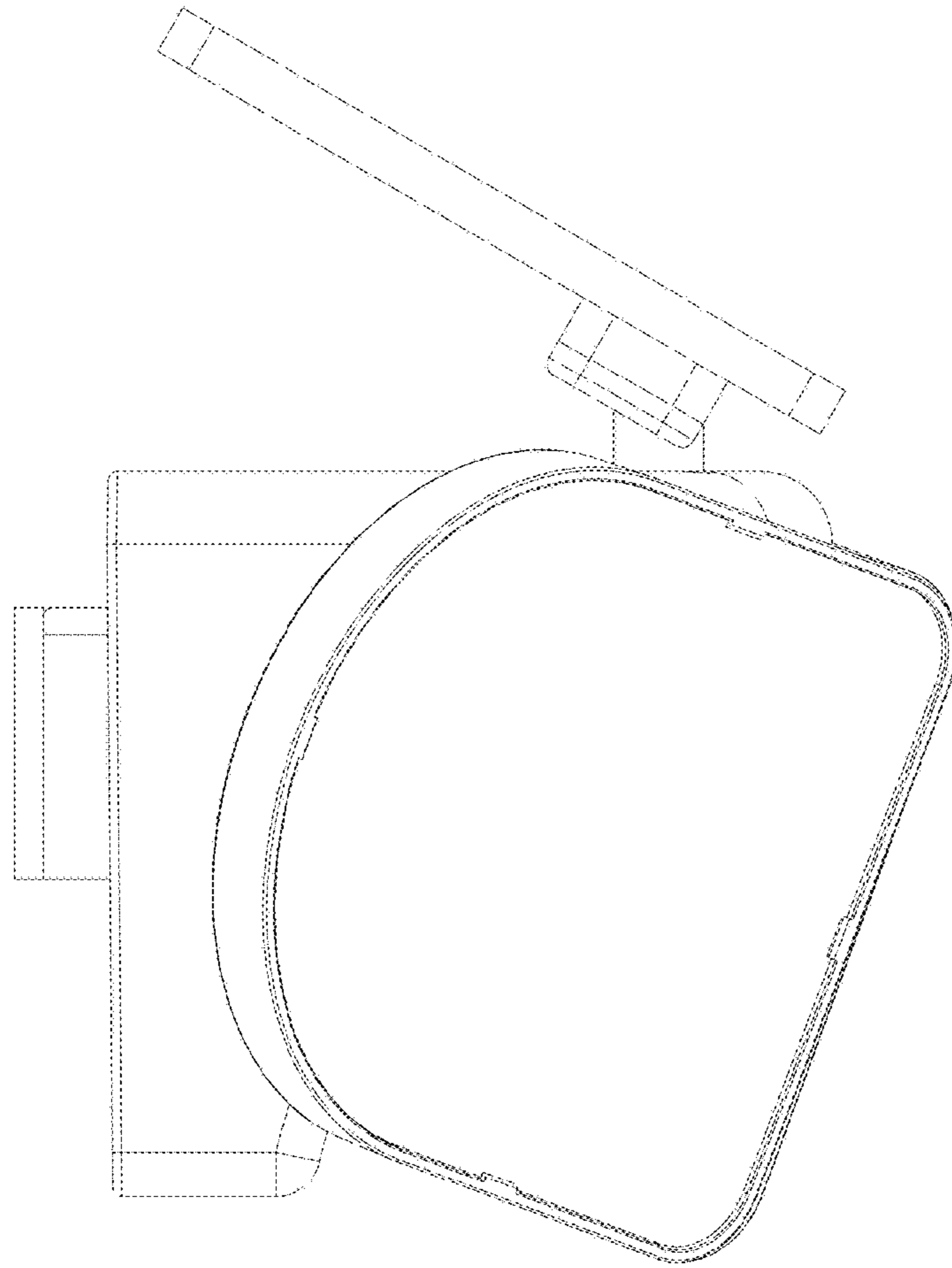


Fig. 3

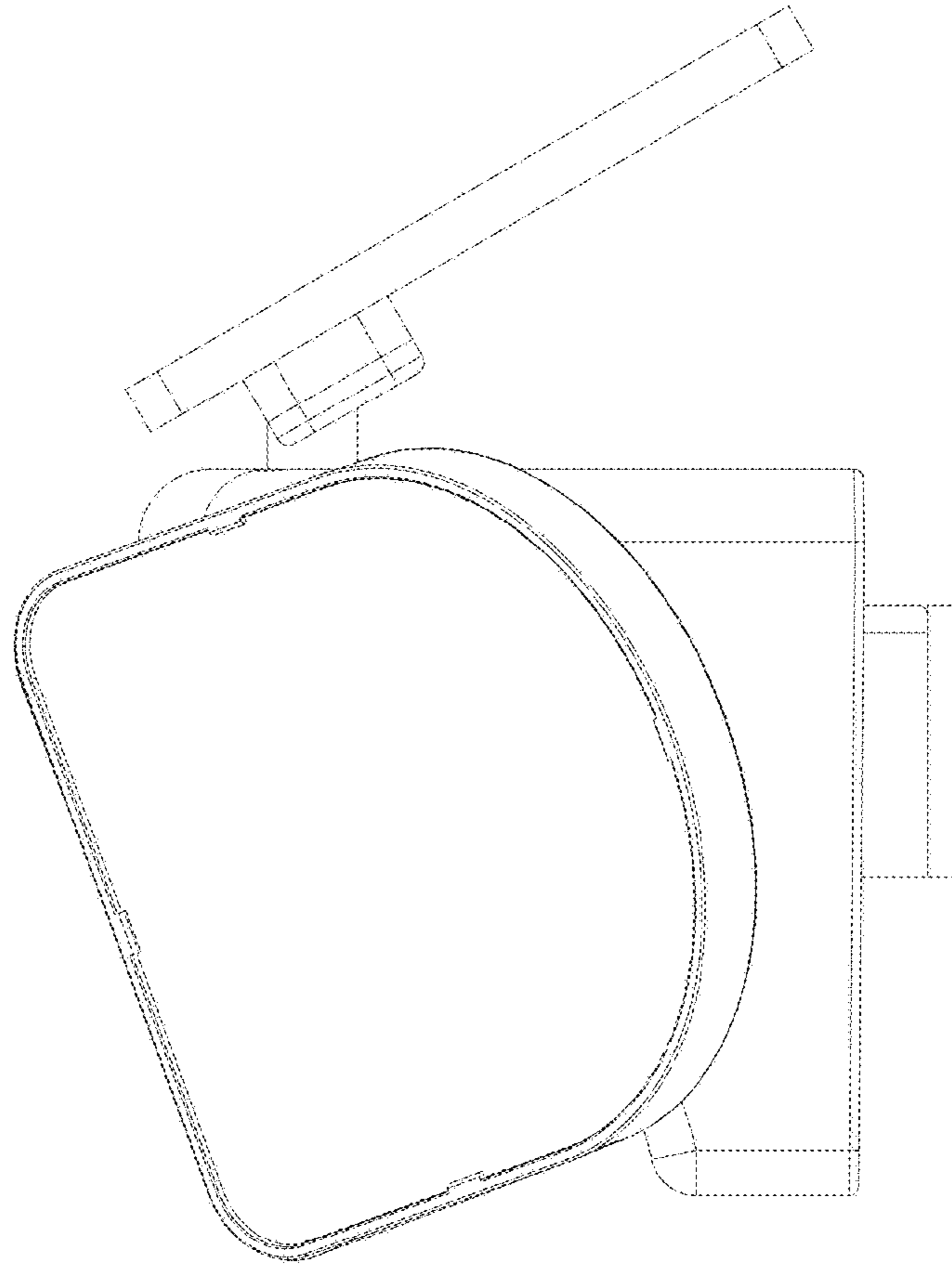


Fig. 4

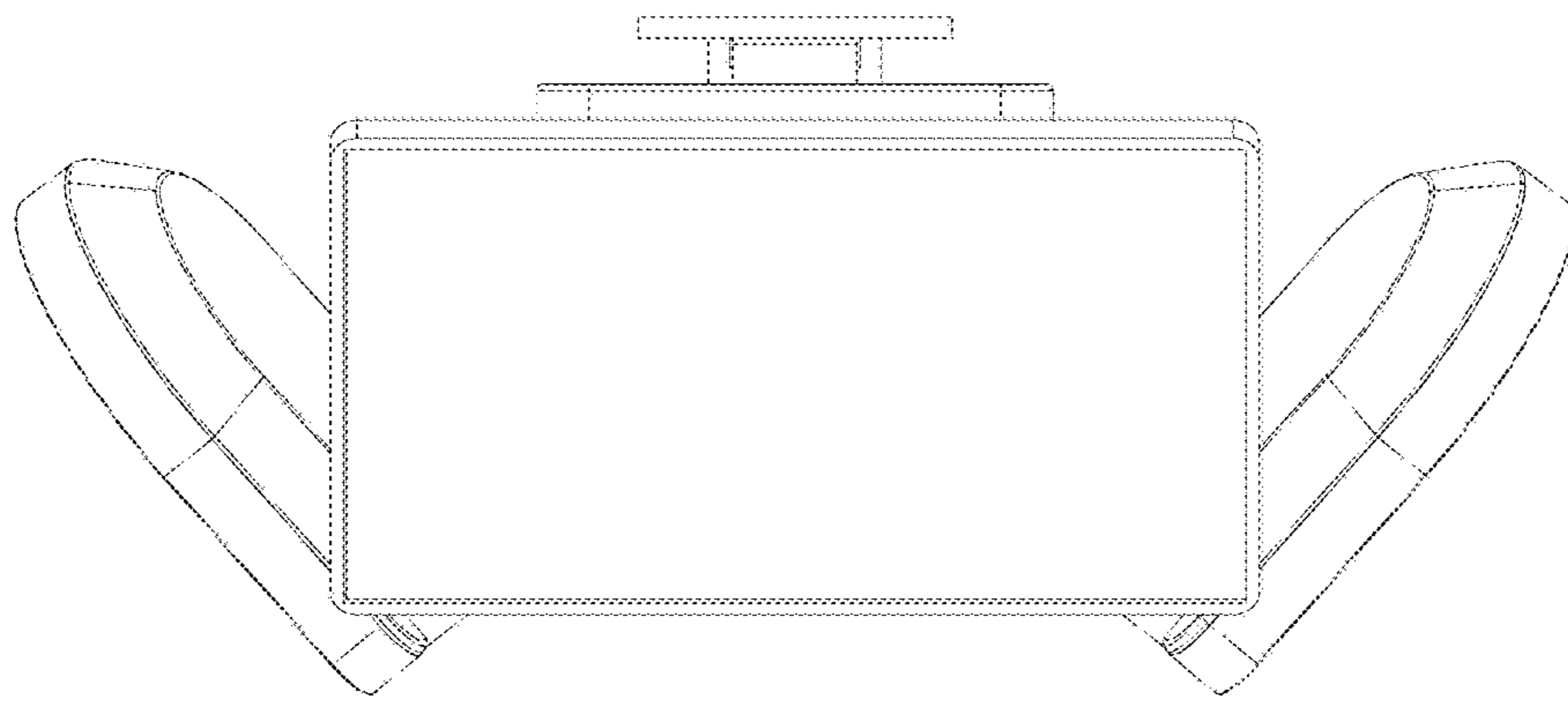


Fig. 5

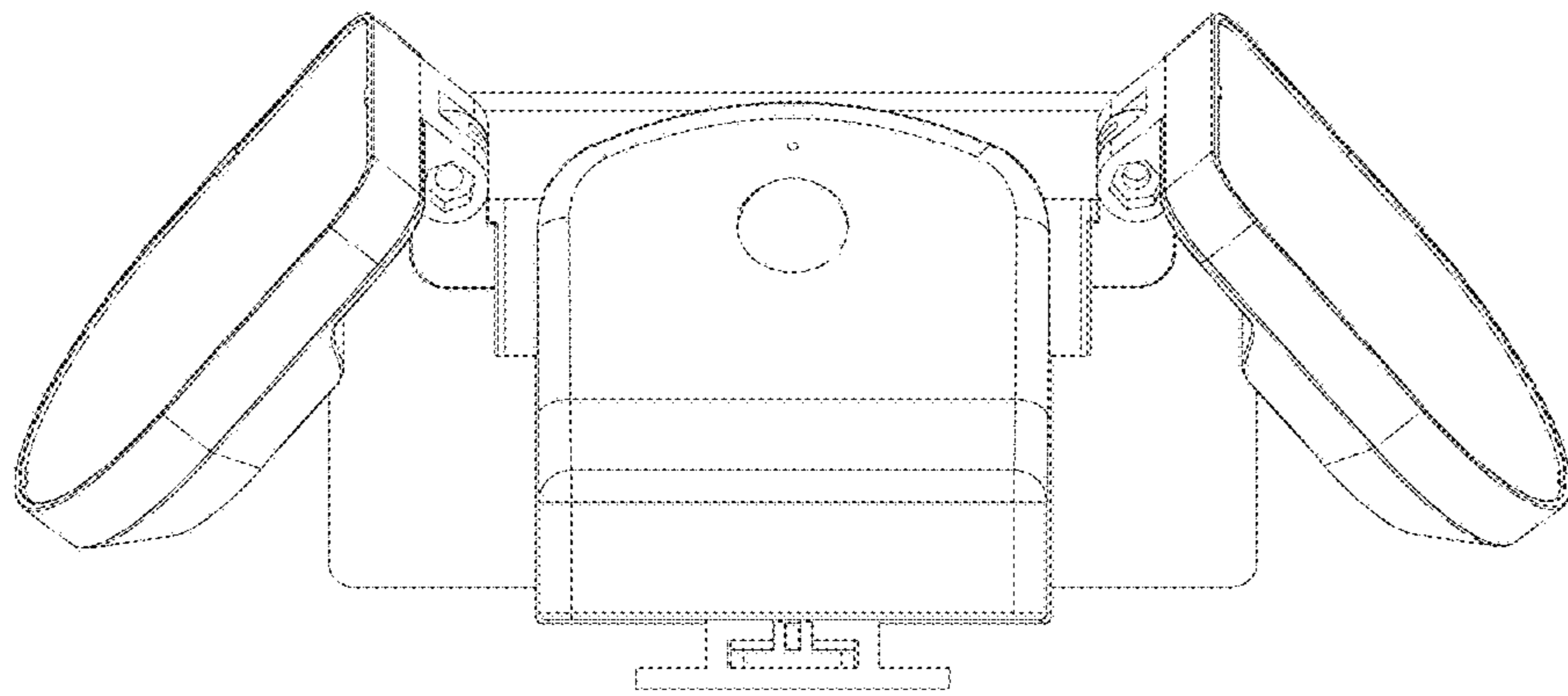


Fig. 6

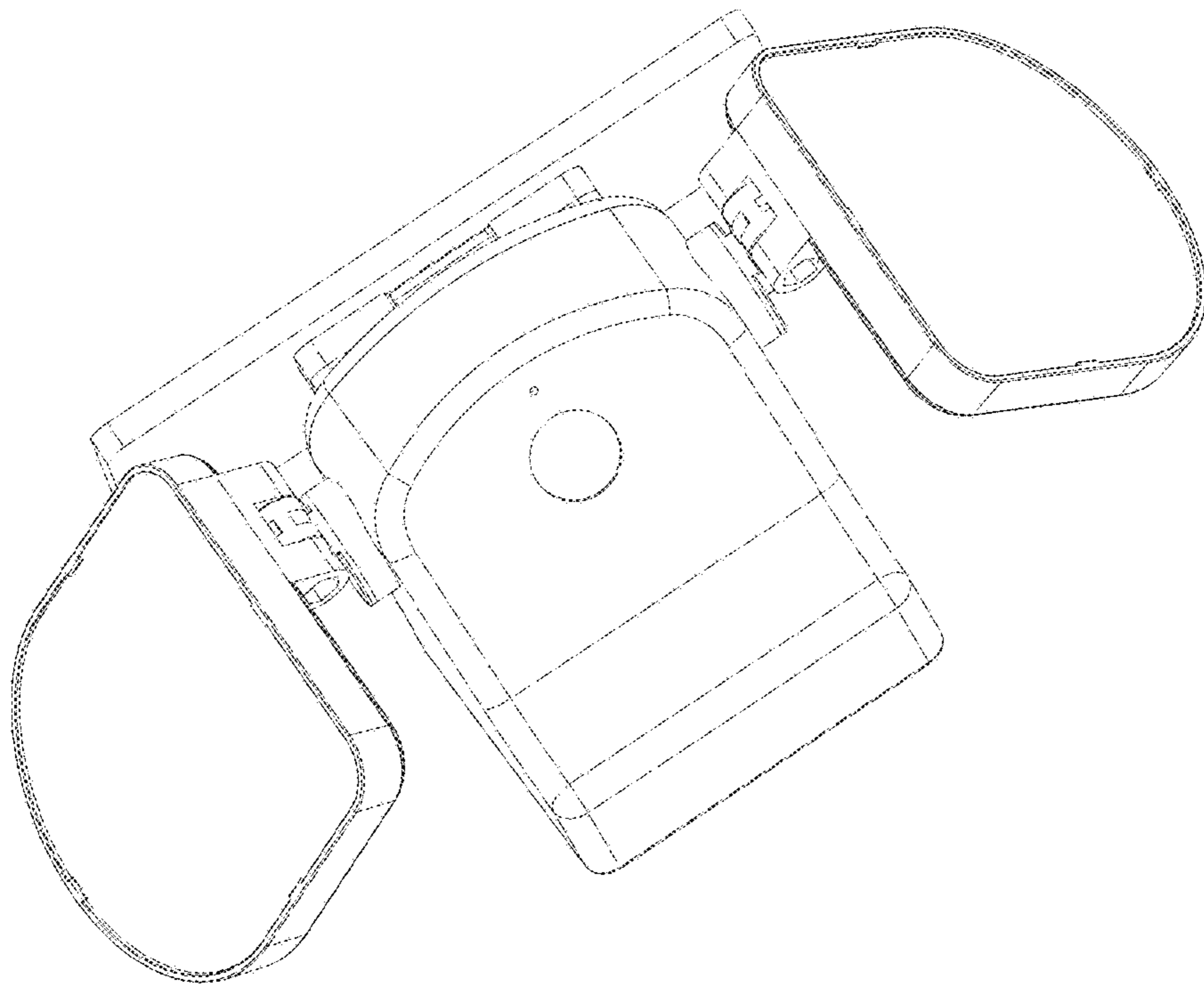


Fig. 7

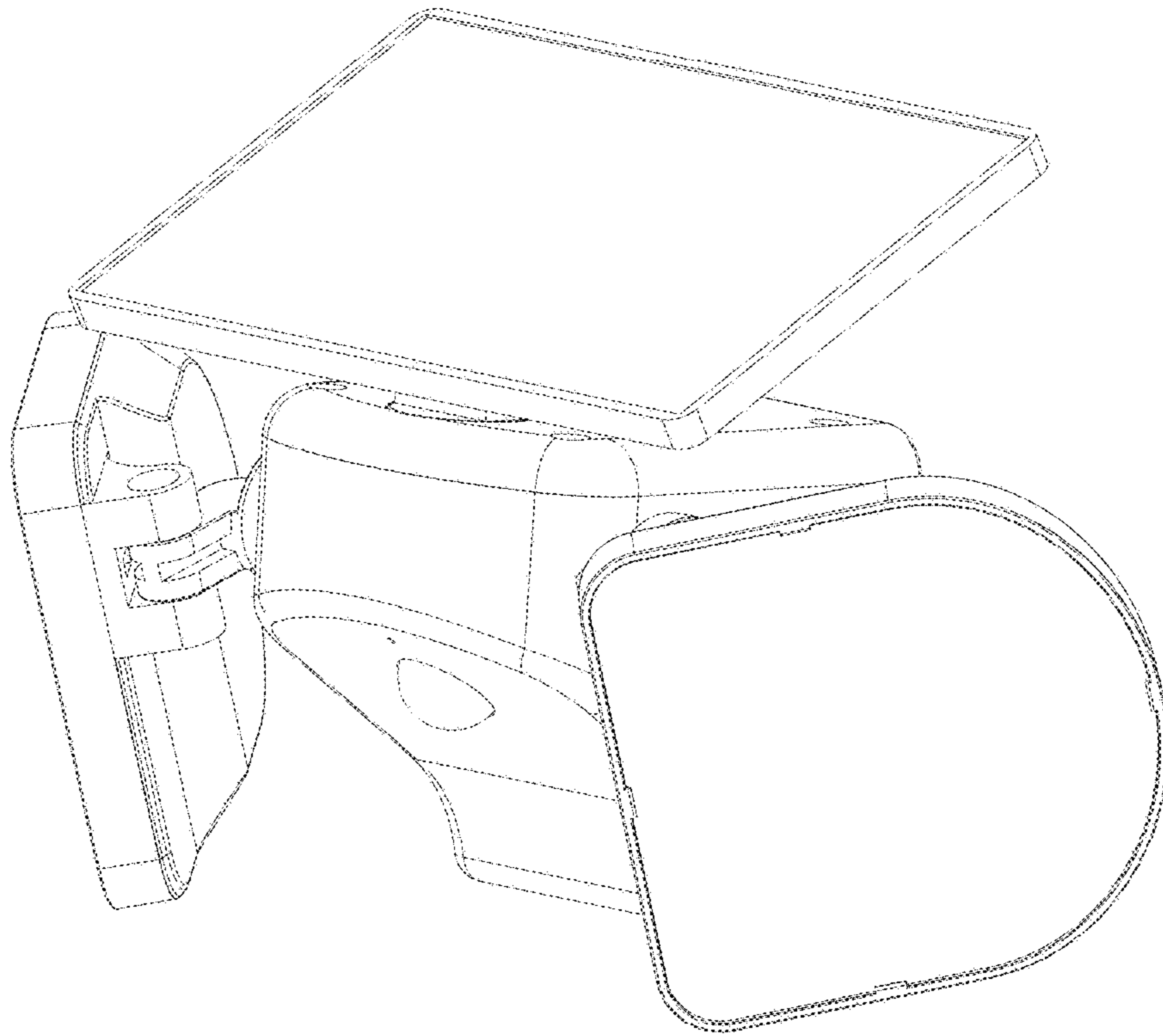


Fig. 8

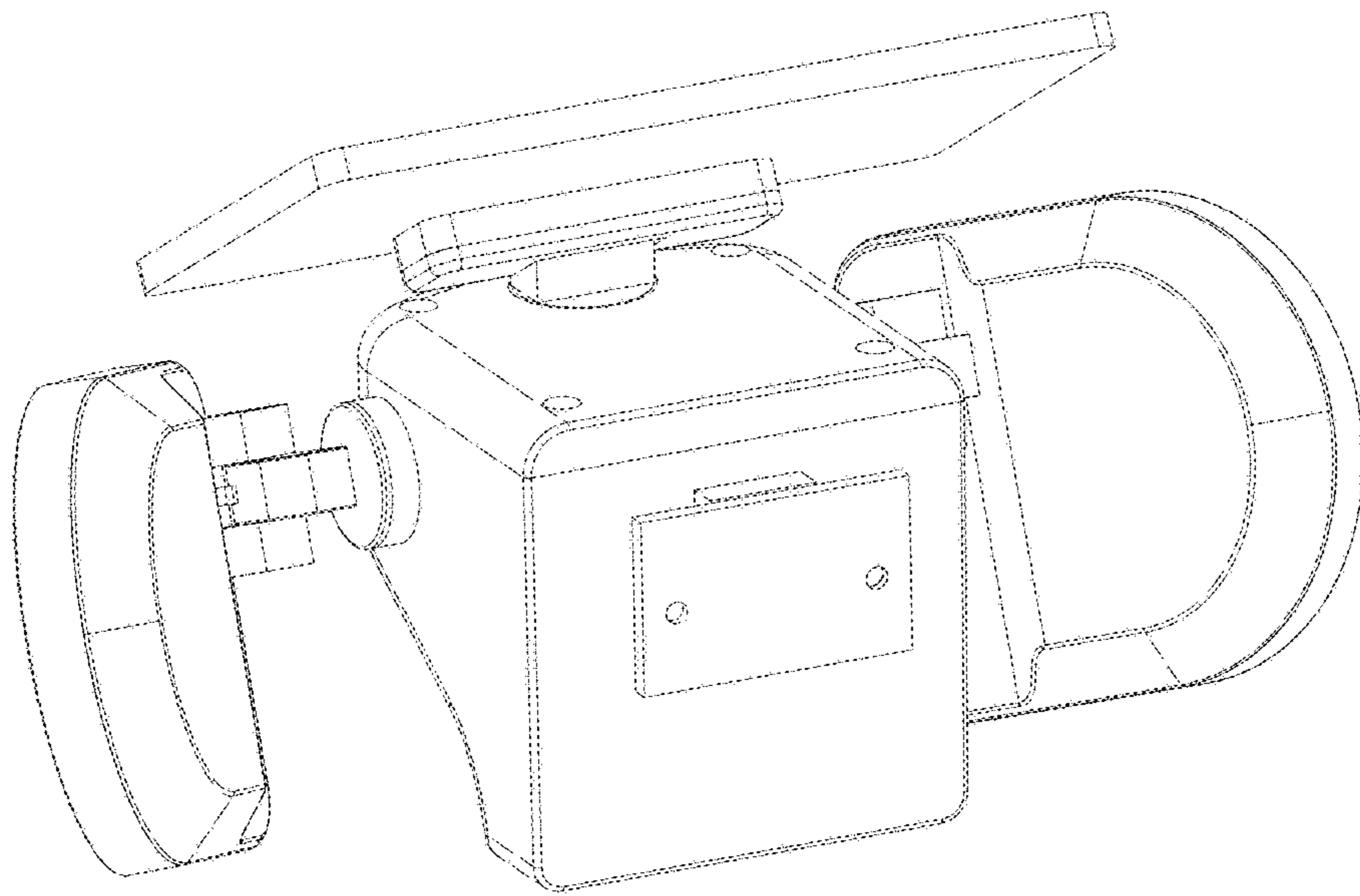


Fig. 9