



US00D858844S

(12) **United States Design Patent**
Fang

(10) **Patent No.:** **US D858,844 S**

(45) **Date of Patent:** **** Sep. 3, 2019**

(54) **PORTABLE WORKLIGHT**

(71) Applicant: **Ningbo Utec Electric Co. Ltd.**, Yuyao, Zhejiang (CN)

(72) Inventor: **Yi Fang**, Zhejiang (CN)

(73) Assignee: **Ningbo Utec Electric Co. Ltd.**, Yuyao (CN)

(**) Term: **15 Years**

(21) Appl. No.: **29/646,687**

(22) Filed: **May 7, 2018**

(51) **LOC (12) Cl.** **26-05**

(52) **U.S. Cl.**
USPC **D26/63**

(58) **Field of Classification Search**
USPC D26/24, 37, 44, 60, 61, 63-66, 69, 70, D26/72, 74, 80, 81, 83, 85-87, 92, 102, D26/113
CPC F21S 8/00; F21S 8/003; F21S 8/043; F21S 8/08; F21V 14/00; F21V 14/02; F21V 15/01; F21V 17/02; F21V 21/00; F21V 21/06; F21V 21/14; F21V 21/26; F21V 21/30; F21V 23/02; F21V 23/04; F21V 29/00

See application file for complete search history.

(56) **References Cited**

U.S. PATENT DOCUMENTS

D403,094 S	*	12/1998	Grossman	D26/63
D679,845 S	*	4/2013	Huang	D26/63
D736,442 S	*	8/2015	Kovacik	D26/37
D779,094 S	*	2/2017	Xu	D26/63
D797,339 S	*	9/2017	Wang	D26/63

D820,489 S	*	6/2018	Zhang	D26/44
D827,170 S	*	8/2018	Zhang	D26/44
D834,232 S	*	11/2018	Green	D26/65
D842,520 S	*	3/2019	Brandrup	D26/63
2013/0271993 A1	*	10/2013	Jan	F21V 21/30 362/249.09
2017/0108197 A1	*	4/2017	Cacciabeve	F21V 15/04
2018/0202639 A1	*	7/2018	Kao	F21V 21/30

FOREIGN PATENT DOCUMENTS

CN	702013030419866	*	2/2014
EM	004691665-0005	*	4/2018
EM	004691665-0006	*	4/2018

* cited by examiner

Primary Examiner — Angela J Lee

Assistant Examiner — Shawn T Gingrich

(74) *Attorney, Agent, or Firm* — Raymond Sun

(57) **CLAIM**

The ornamental design for a portable worklight, as shown and described.

DESCRIPTION

FIG. 1 is a front perspective view of a portable worklight showing one embodiment of my new design.

FIG. 2 is a rear perspective view thereof.

FIG. 3 is a top view thereof.

FIG. 4 is a bottom view thereof.

FIG. 5 is a left view thereof.

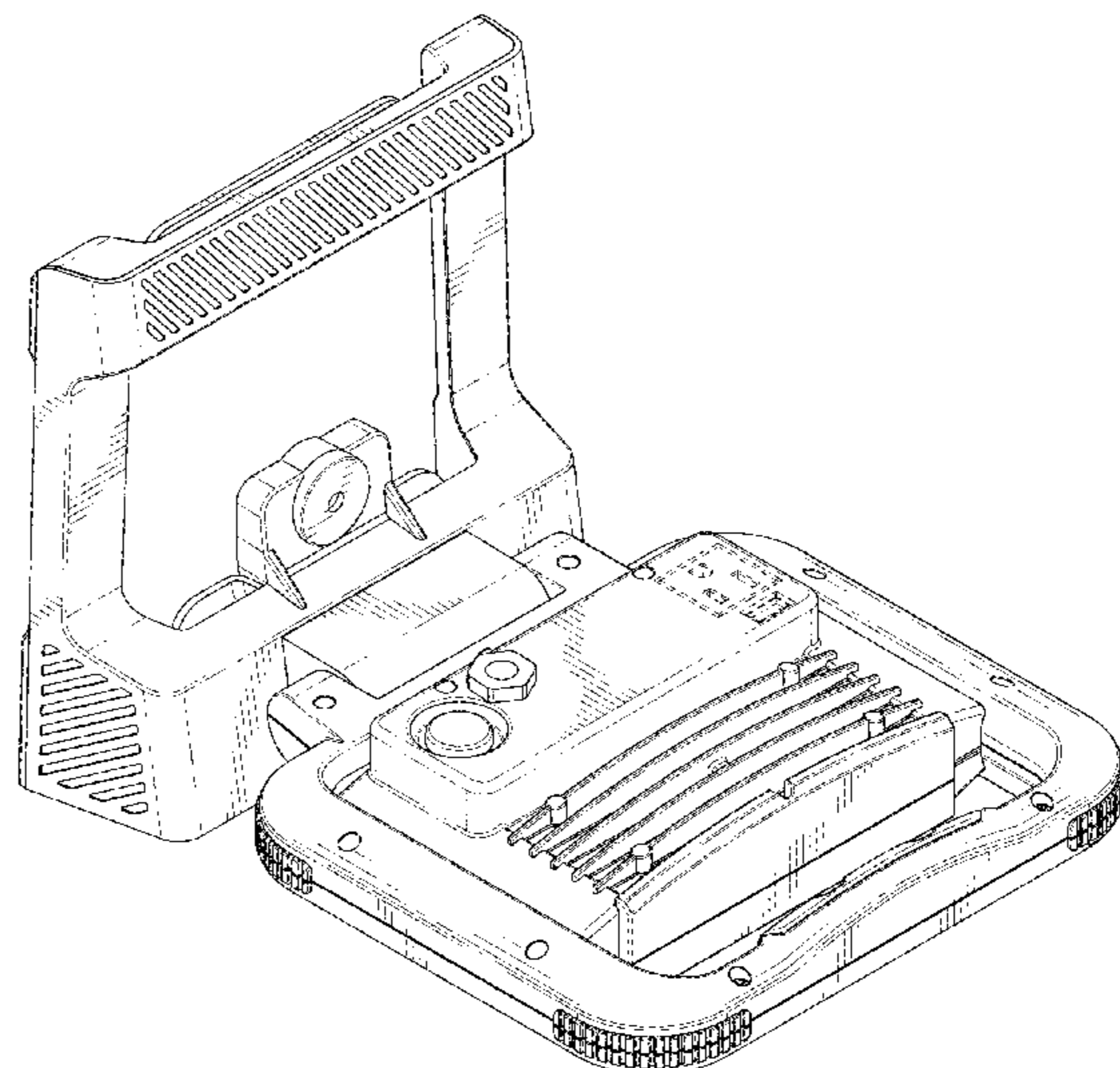
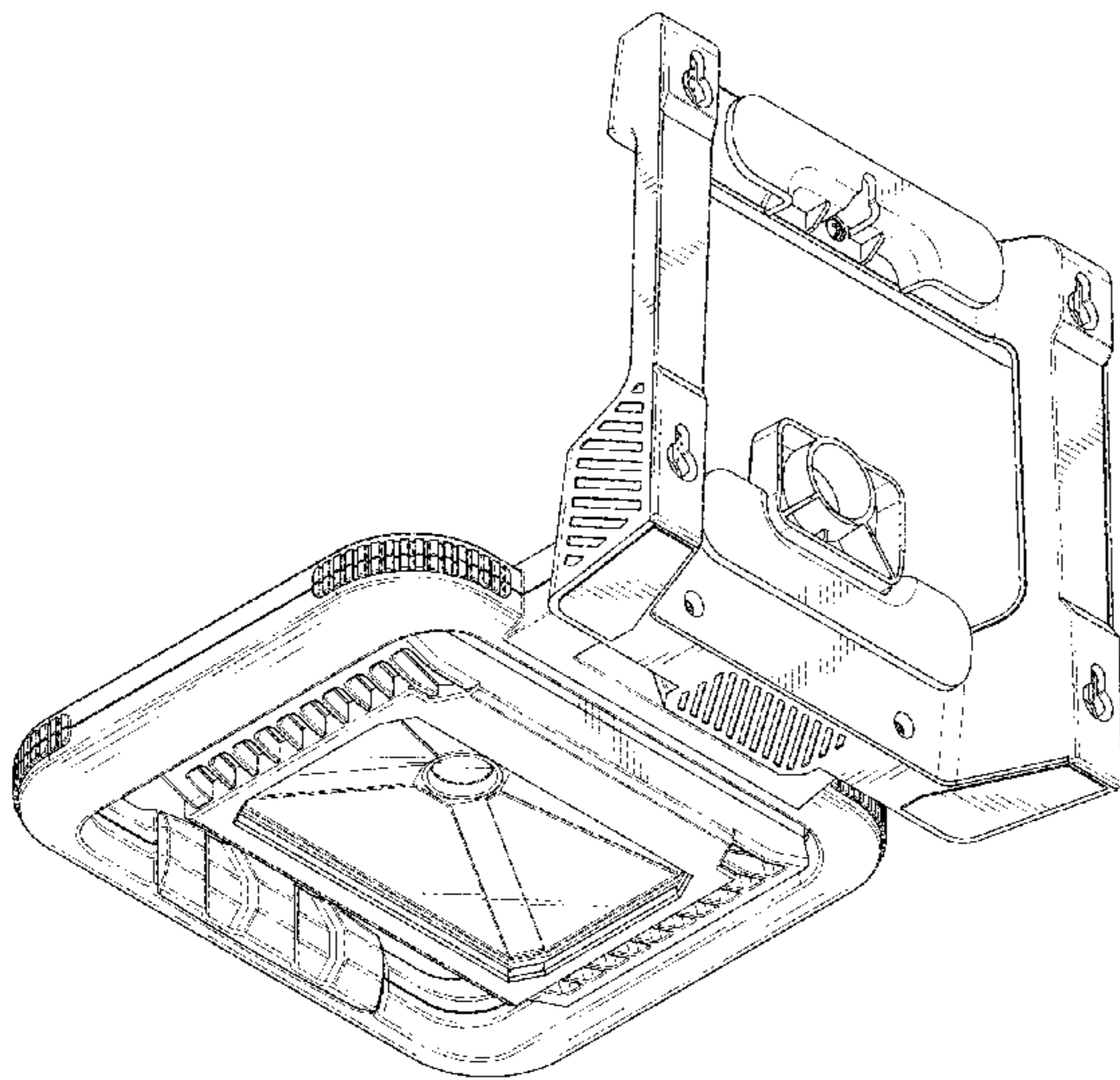
FIG. 6 is a right view thereof.

FIG. 7 is a rear view thereof; and,

FIG. 8 is a front view thereof.

The broken lines shown in the figures represent portions of the portable worklight that form no part of the claimed design.

1 Claim, 8 Drawing Sheets



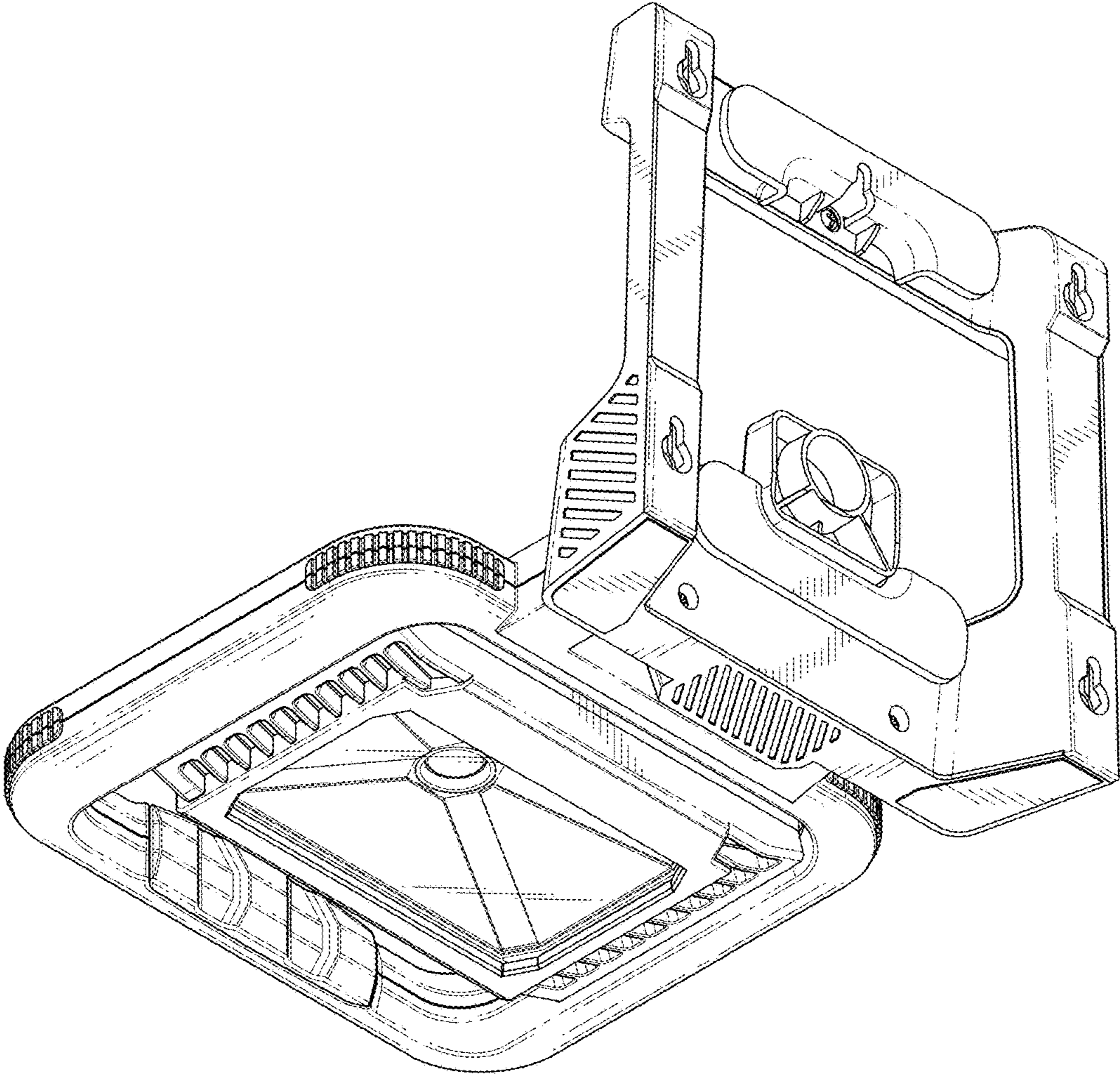


FIG. 1

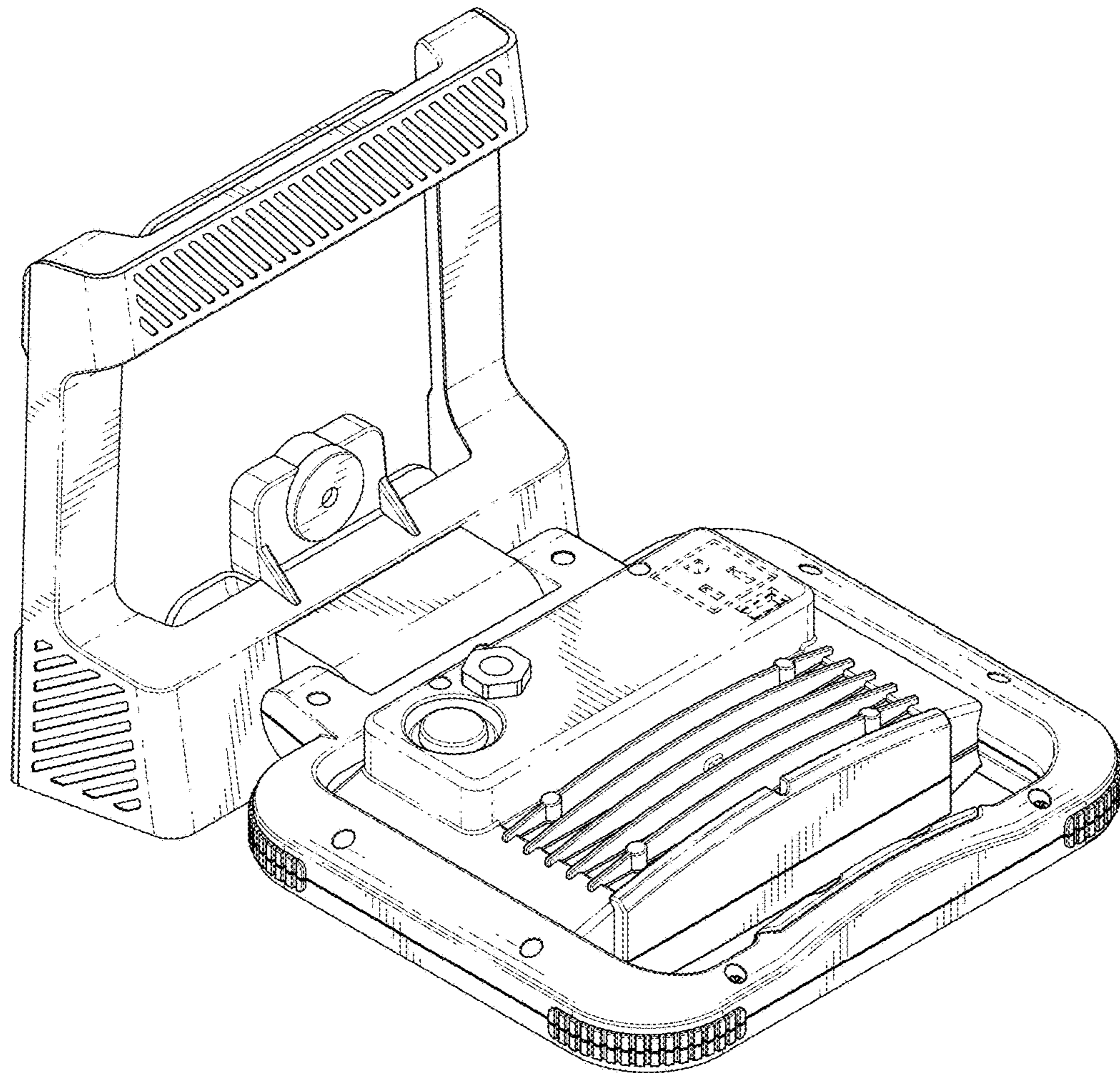


FIG.2

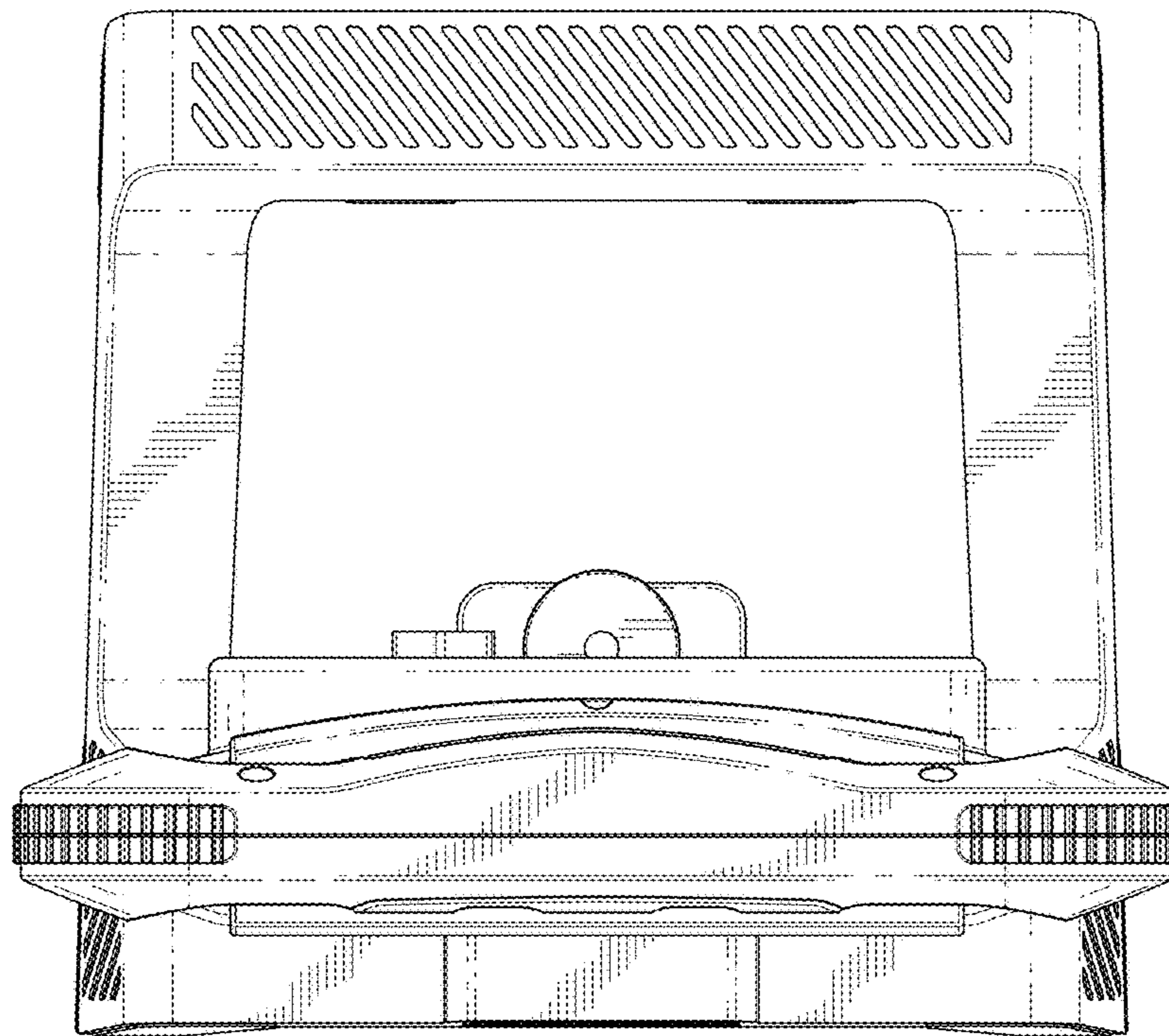


FIG. 3

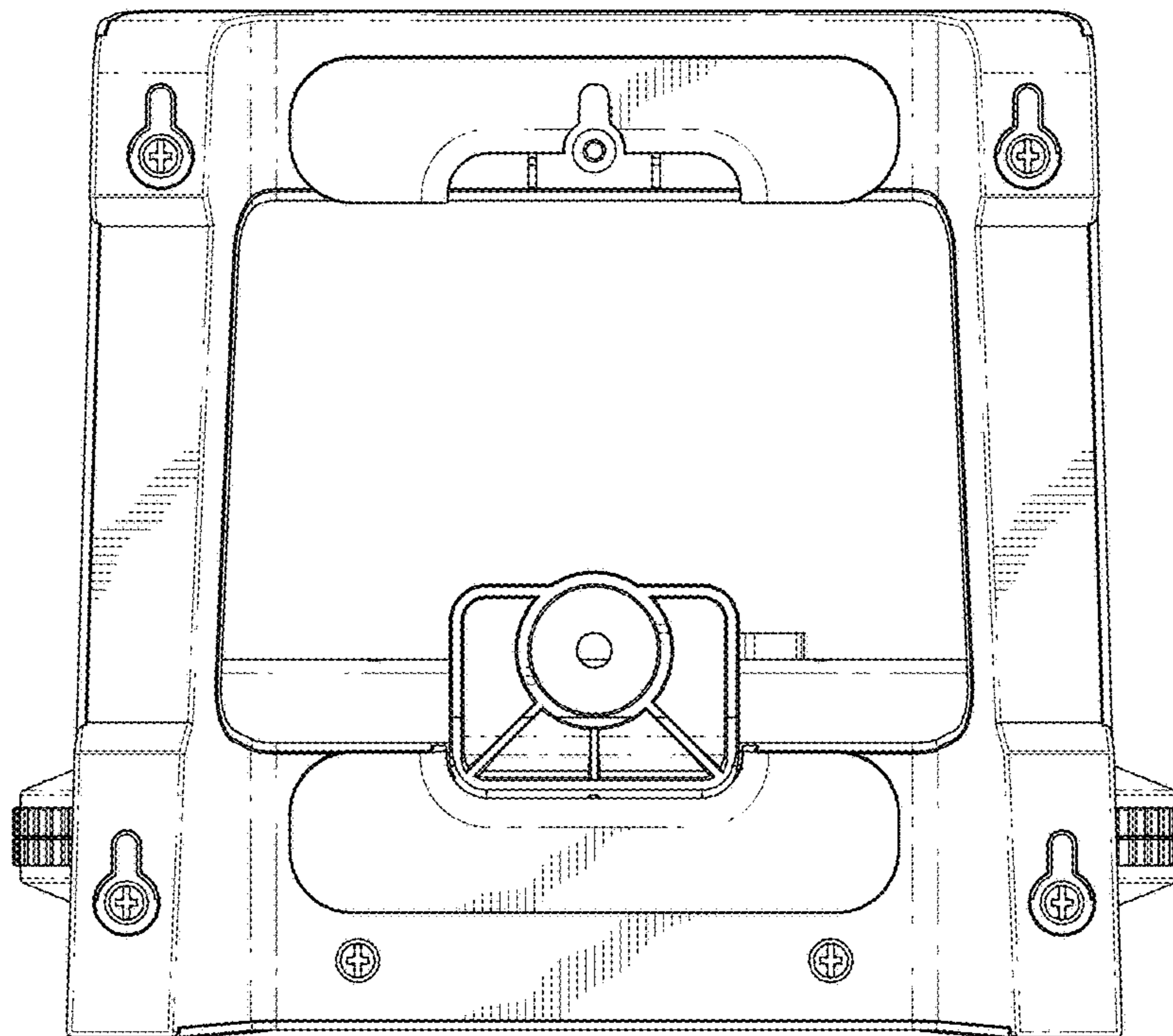


FIG.4

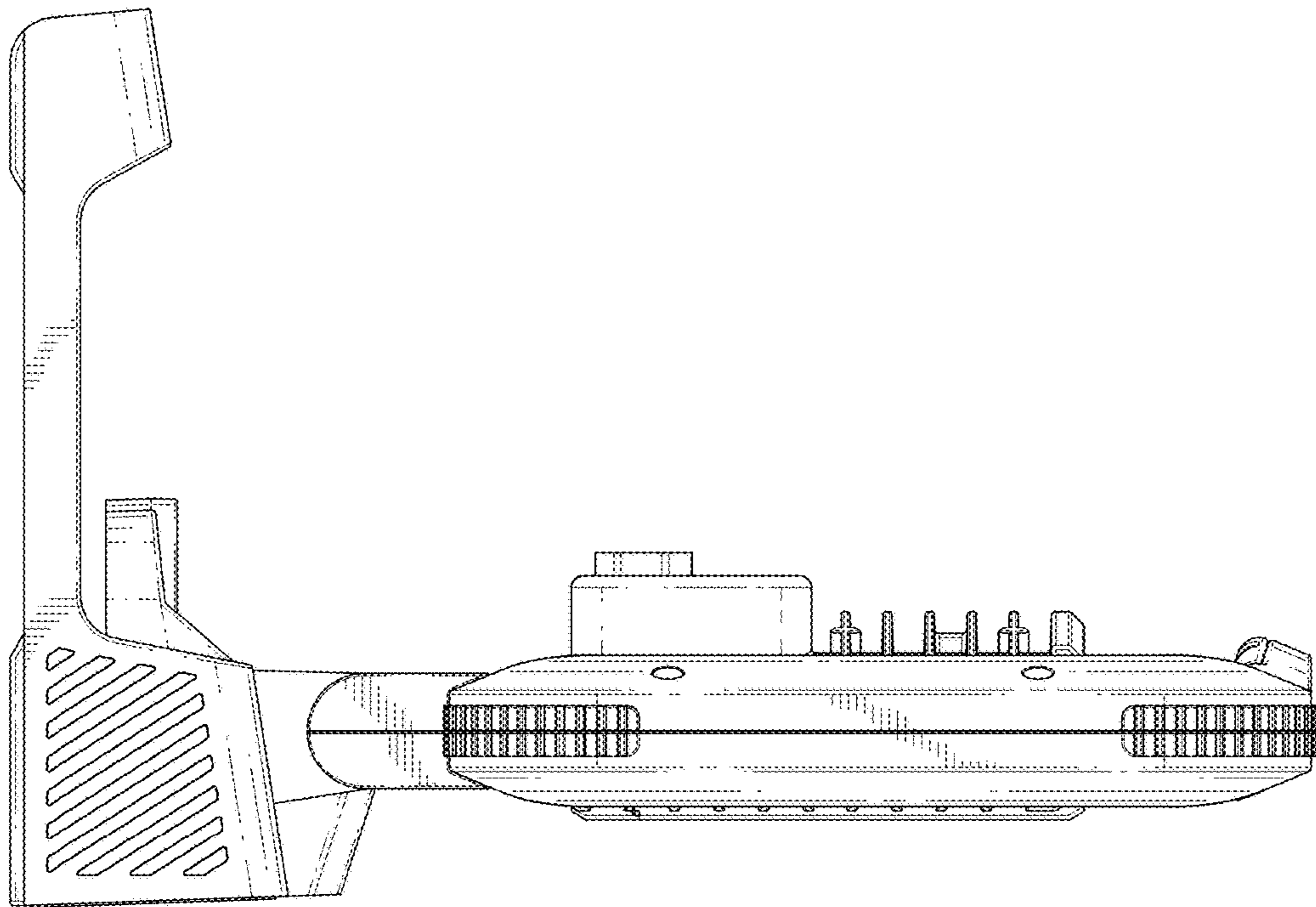


FIG. 5

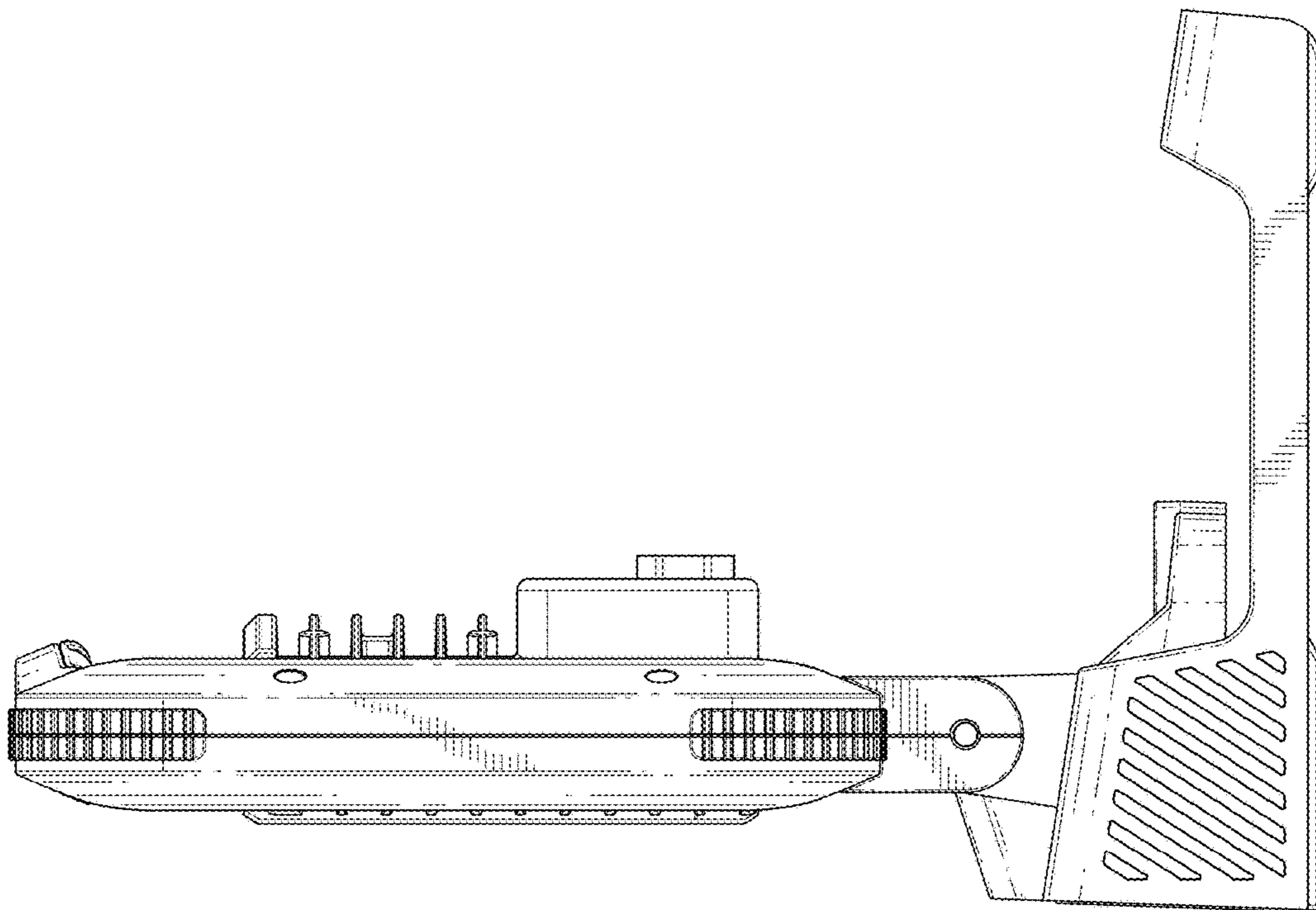


FIG. 6

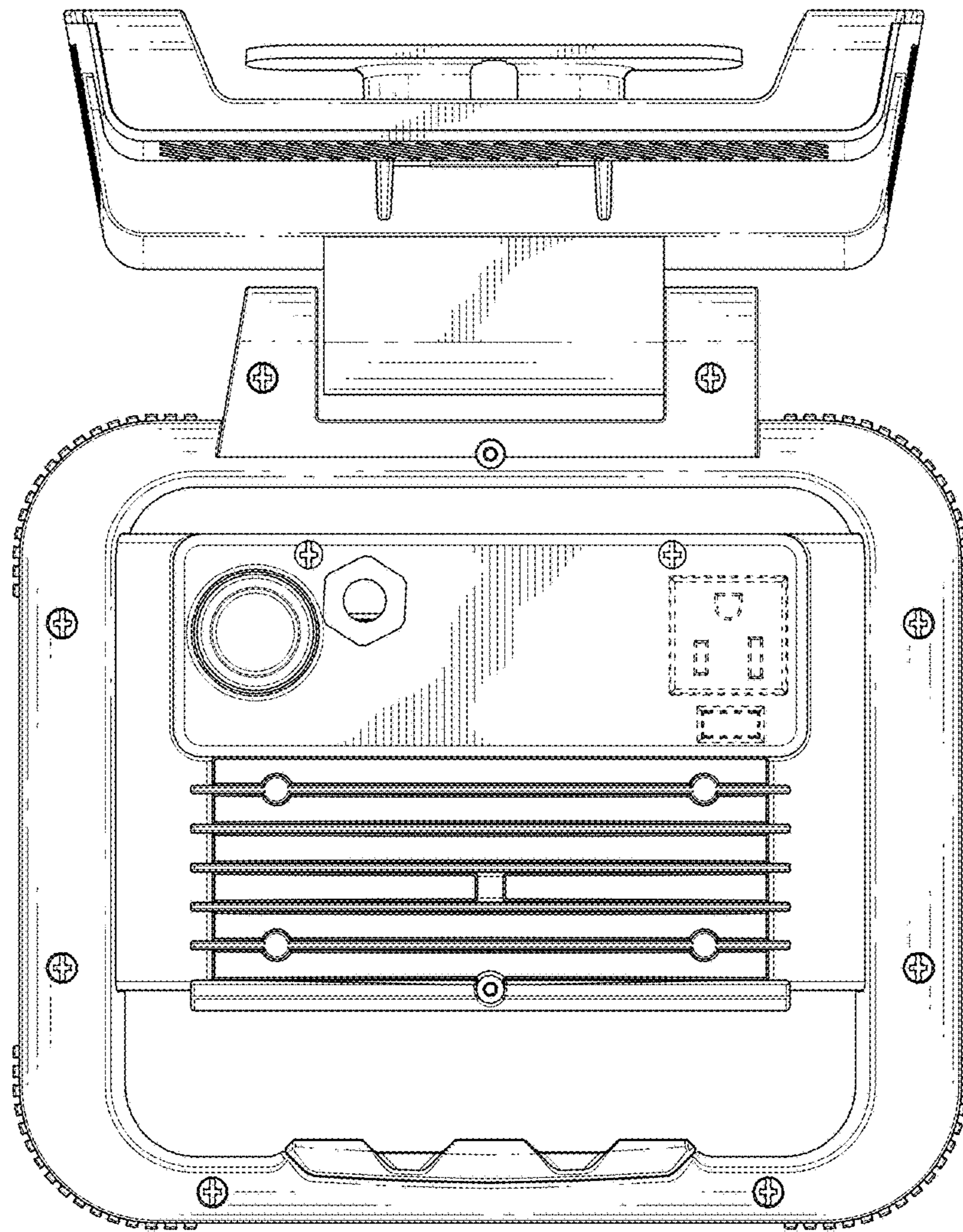


FIG. 7

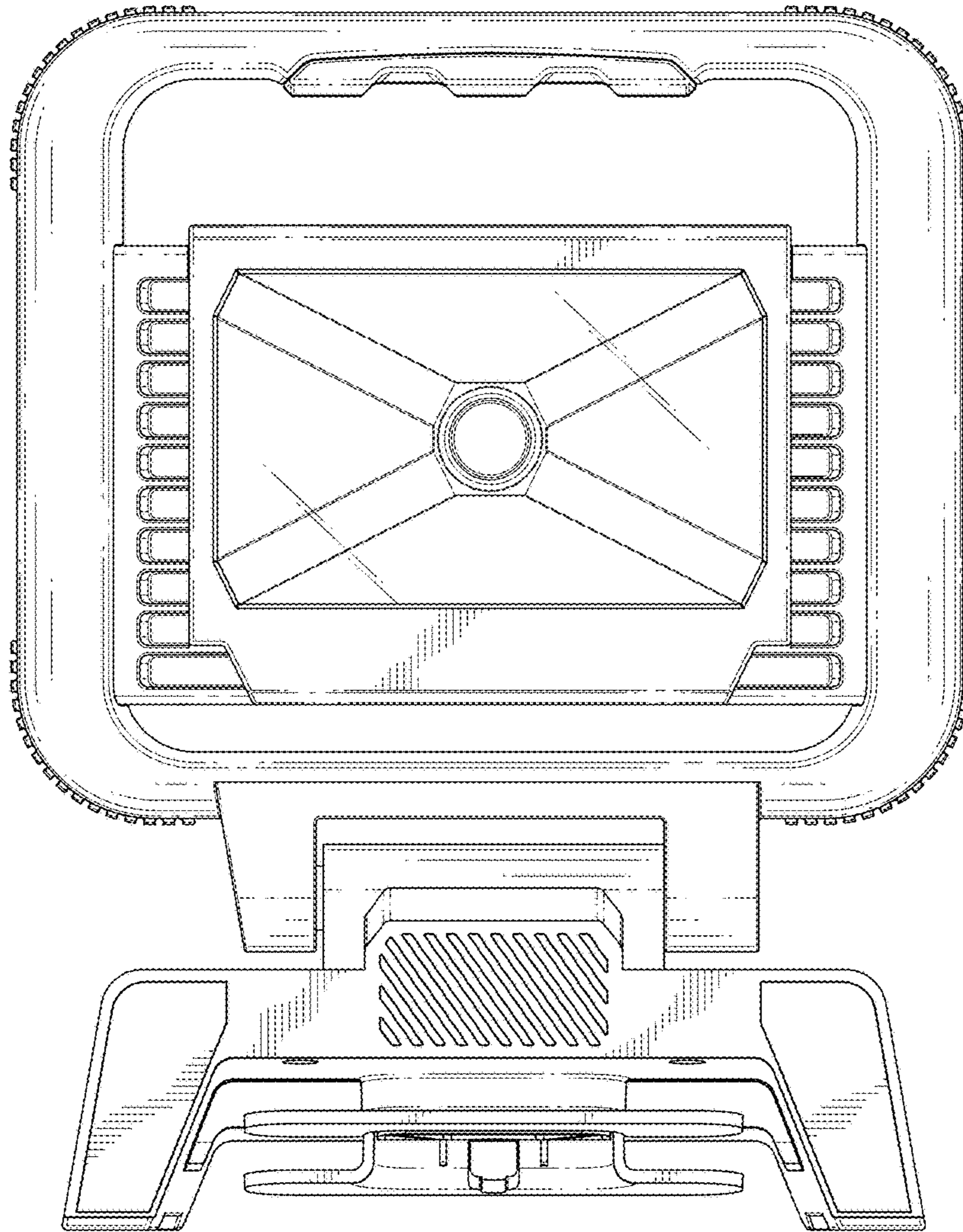


FIG. 8