



US00D858842S

(12) **United States Design Patent**
Chen et al.

(10) **Patent No.:** **US D858,842 S**

(45) **Date of Patent:** **** Sep. 3, 2019**

(54) **SECURITY LIGHTS**

(71) Applicants: **SHANGHAI SANSI ELECTRONIC ENGINEERING CO. LTD.**, Shanghai (CN); **SANSI OPTOELECTRONICS TECHNOLOGY (SHANGHAI) CO. LTD.**, Shanghai (CN); **SHANGHAI SANSI TECHNOLOGY CO. LTD.**, Shanghai (CN); **JIASHAN SANSI OPTOELECTRONIC TECHNOLOGY CO. LTD.**, Shanghai (CN)

(72) Inventors: **Bishou Chen**, Shanghai (CN); **Peng Wang**, Shanghai (CN); **Xiaoliang He**, Shanghai (CN); **Shan Li**, Zhejiang (CN)

(73) Assignees: **SHANGHAI SANSI ELECTRONIC ENGINEERING CO. LTD.**, Shanghai (CN); **SANSI OPTOELECTRONICS TECHNOLOGY (SHANGHAI) CO. LTD.**, Shanghai (CN); **SHANGHAI SANSI TECHNOLOGY CO. LTD.**, Shanghai (CN); **JIASHAN SANSI OPTOELECTRONIC TECHNOLOGY CO. LTD.**, Shanghai (CN)

(**) Term: **15 Years**

(21) Appl. No.: **29/639,240**

(22) Filed: **Mar. 5, 2018**

(30) **Foreign Application Priority Data**

Sep. 5, 2017 (CN) 2017 3 0417437

(51) **LOC (12) Cl.** **26-03**

(52) **U.S. Cl.**
USPC **D26/63**

(58) **Field of Classification Search**
USPC D26/24, 37, 44, 60, 61, 63-66, 72, 74, D26/80, 81, 83, 85-87, 92, 102, 113

(Continued)

(56) **References Cited**

U.S. PATENT DOCUMENTS

5,649,761 A * 7/1997 Sandell F21V 17/02
362/276

D392,065 S * 3/1998 Morrow D10/106.1
(Continued)

OTHER PUBLICATIONS

Upgraded Sansi LED Security Motion Sensor Outdoor Lights, 36W (250W Incandescent Equivalent) 3600lm, 5000K Daylight, Dusk to Dawn Waterproof Flood Light, dated Nov. 14, 2018, [online], [site visited Apr. 9, 2019]. Available from Internet, <URL: <https://www.amazon.com/dp/B07KK7M8TR>> (Year: 2018).*

(Continued)

Primary Examiner — Angela J Lee

Assistant Examiner — Shawn T Gingrich

(74) *Attorney, Agent, or Firm* — Oliff PLC

(57) **CLAIM**

The ornamental design for security lights, as shown and described.

DESCRIPTION

FIG. 1 is a front perspective view of security lights showing the new design.

FIG. 2 is a front view of the security lights shown in FIG. 1.

FIG. 3 is a left side view of the security lights shown in FIG. 1.

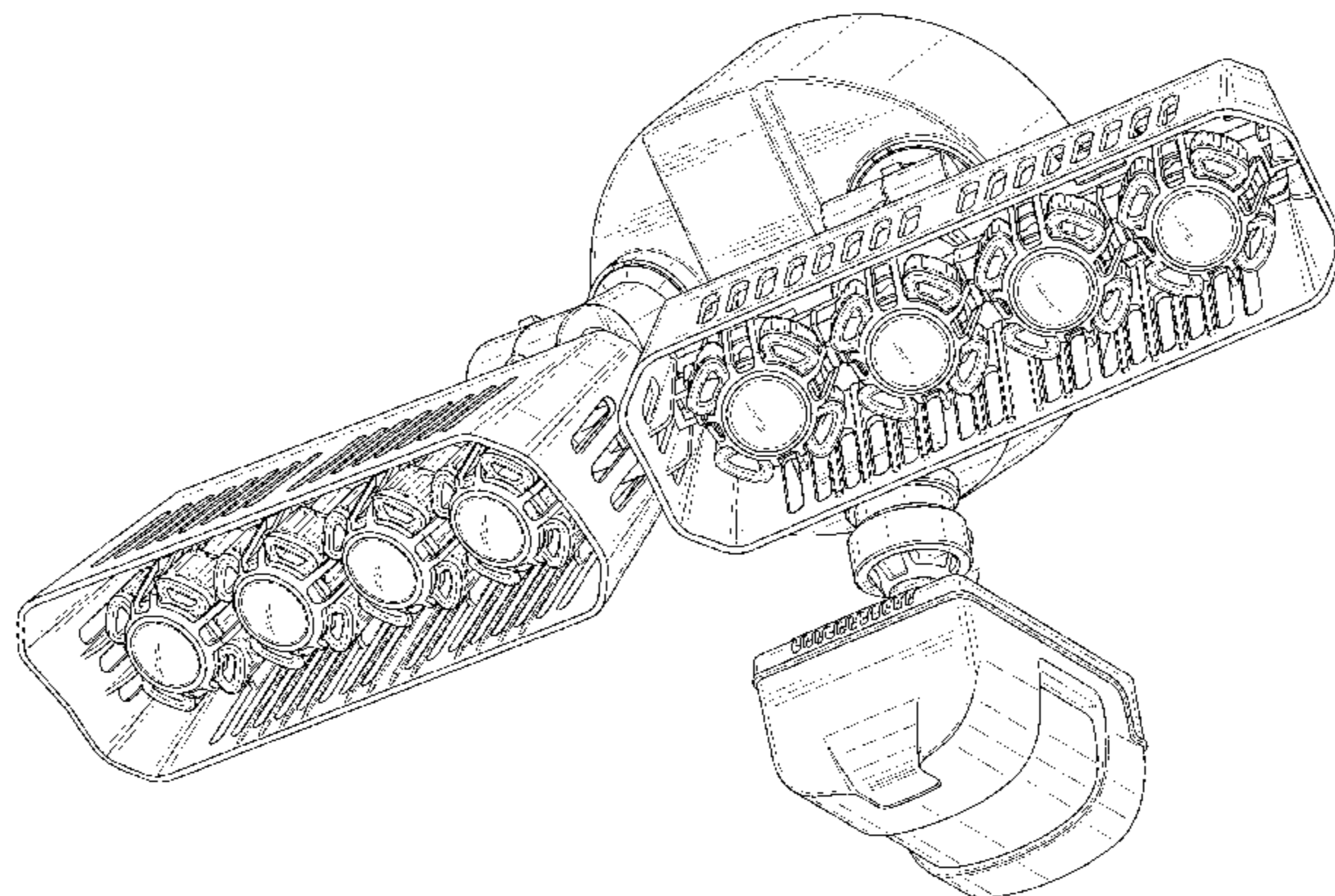
FIG. 4 is a right side view of the security lights shown in FIG. 1.

FIG. 5 is a rear side view of the security lights shown in FIG. 1.

FIG. 6 is a top view of the security lights shown in FIG. 1; and,

FIG. 7 is a bottom view of the security lights shown in FIG. 1.

(Continued)



The broken lines depict environmental subject matter only and form no part of the claimed design.

1 Claim, 7 Drawing Sheets

D759,291	S	*	6/2016	Chen	D26/120
D784,589	S	*	4/2017	Chen	D26/65
9,839,088	B1	*	12/2017	Deaton	F21S 9/022
D820,506	S	*	6/2018	Chen	D26/120
D821,021	S	*	6/2018	Chen	D26/120
10,107,480	B1	*	10/2018	Ladewig	F21V 17/02
D835,834	S	*	12/2018	Paredes	D26/120

(58) Field of Classification Search

CPC F21S 8/00; F21S 8/003; F21S 8/04; F21S 8/043; F21S 8/08; F21V 14/00; F21V 14/02; F21V 15/01; F21V 17/02; F21V 19/00; F21V 21/00; F21V 21/02; F21V 21/06; F21V 21/14; F21V 21/26; F21V 21/30; F21V 23/02; F21V 23/04; F21V 29/00; F21V 33/00

See application file for complete search history.

(56)

References Cited

U.S. PATENT DOCUMENTS

D392,406	S	*	3/1998	Morrow	D10/106.1
D705,477	S	*	5/2014	Chen	D26/63
D745,201	S	*	12/2015	Lee	D26/63
D757,347	S	*	5/2016	Chen	D26/120

OTHER PUBLICATIONS

Motion Sensor Light From Sansi Review, dated Nov. 15, 2017, [online], [site visited Apr. 9, 2019]. Available from Internet, <URL: <http://www.aarlreviews.com/2017/11/motion-sensor-light-from-sansi-review.html>> (Year: 2017).*

Upgraded Sansi LED Security Motion Sensor Outdoor Lights, 36W (250W Incandescent Equivalent) 3600lm, 5000K Daylight, Dusk to Dawn Waterproof Flood Light, dated Jan. 16, 2017, [online], [site visited Apr. 9, 2019]. Available from Internet, <URL: <https://www.amazon.com/dp/B01N5PY4PQ>> (Year: 2017).*

Sansi LED Outdoor Motion-Activated Security Lights, Waterproof Flood Light with Adjustable Head, dated Jan. 16, 2017, [online], [site visited Apr. 9, 2019]. Available from Internet, <URL: <https://www.amazon.com/SANSI-Motion-Activated-Security-Waterproof-Adjustable/dp/B075YF6L1R>> (Year: 2017).*

* cited by examiner

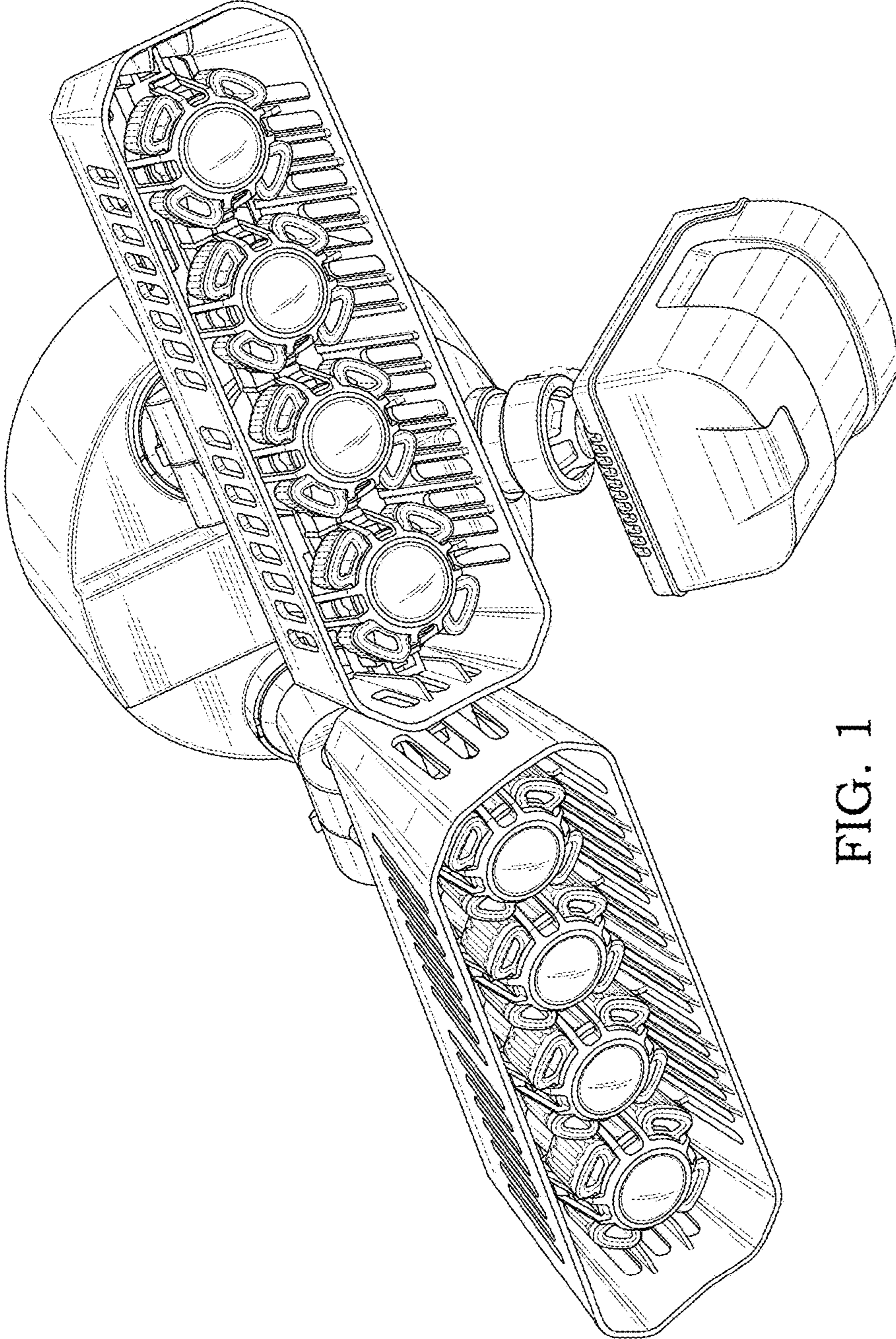


FIG. 1

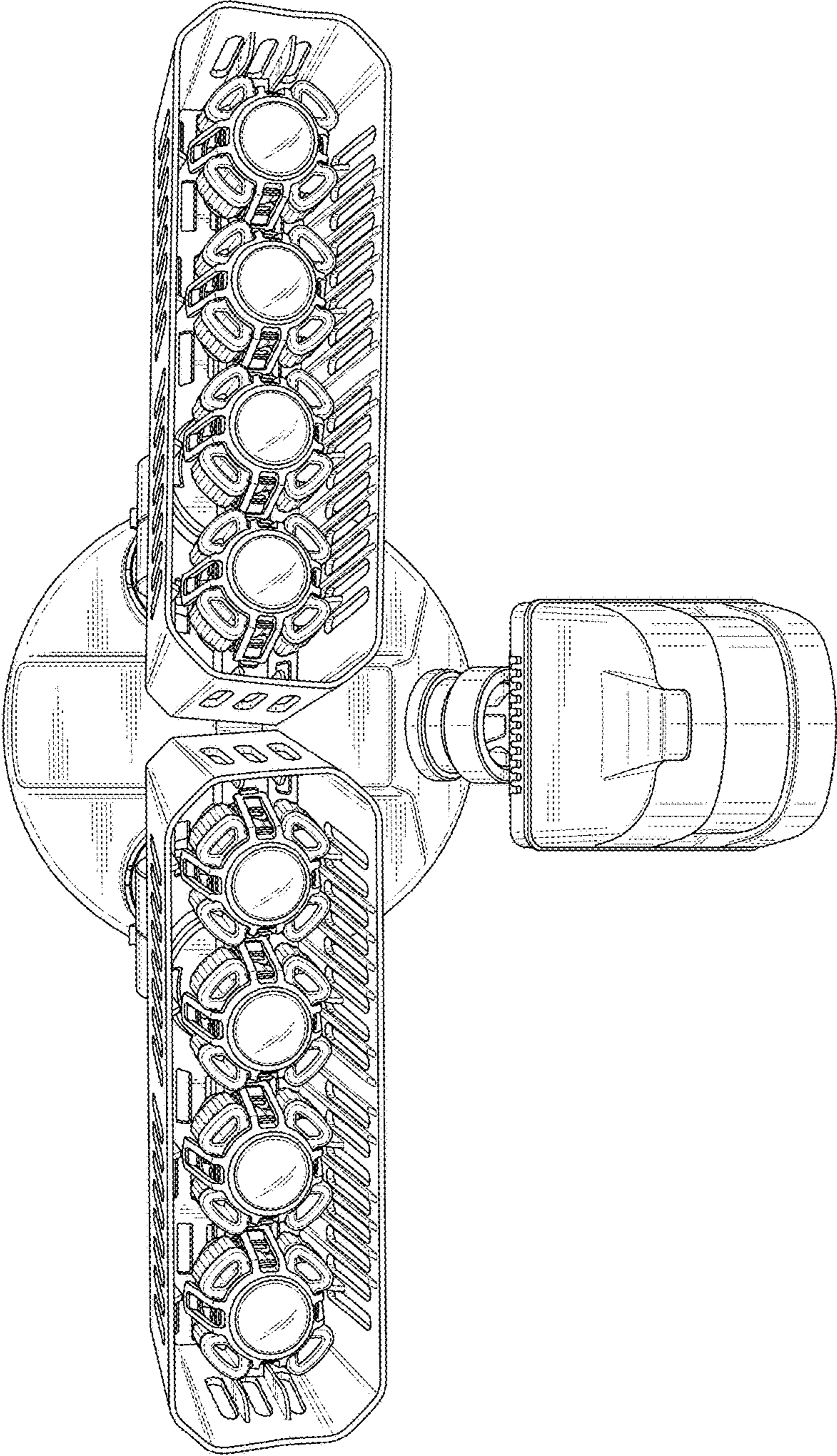


FIG. 2

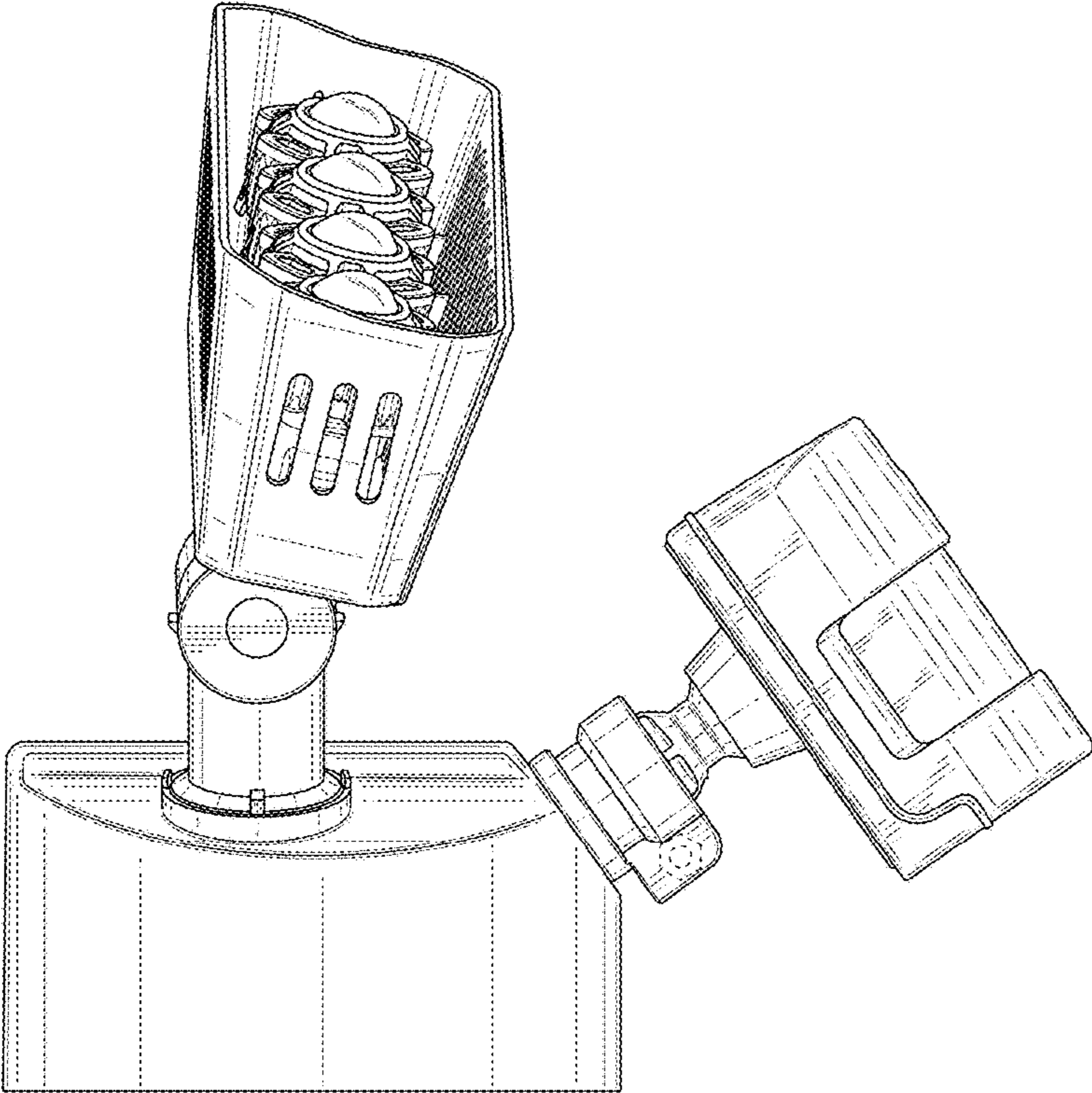


FIG. 3

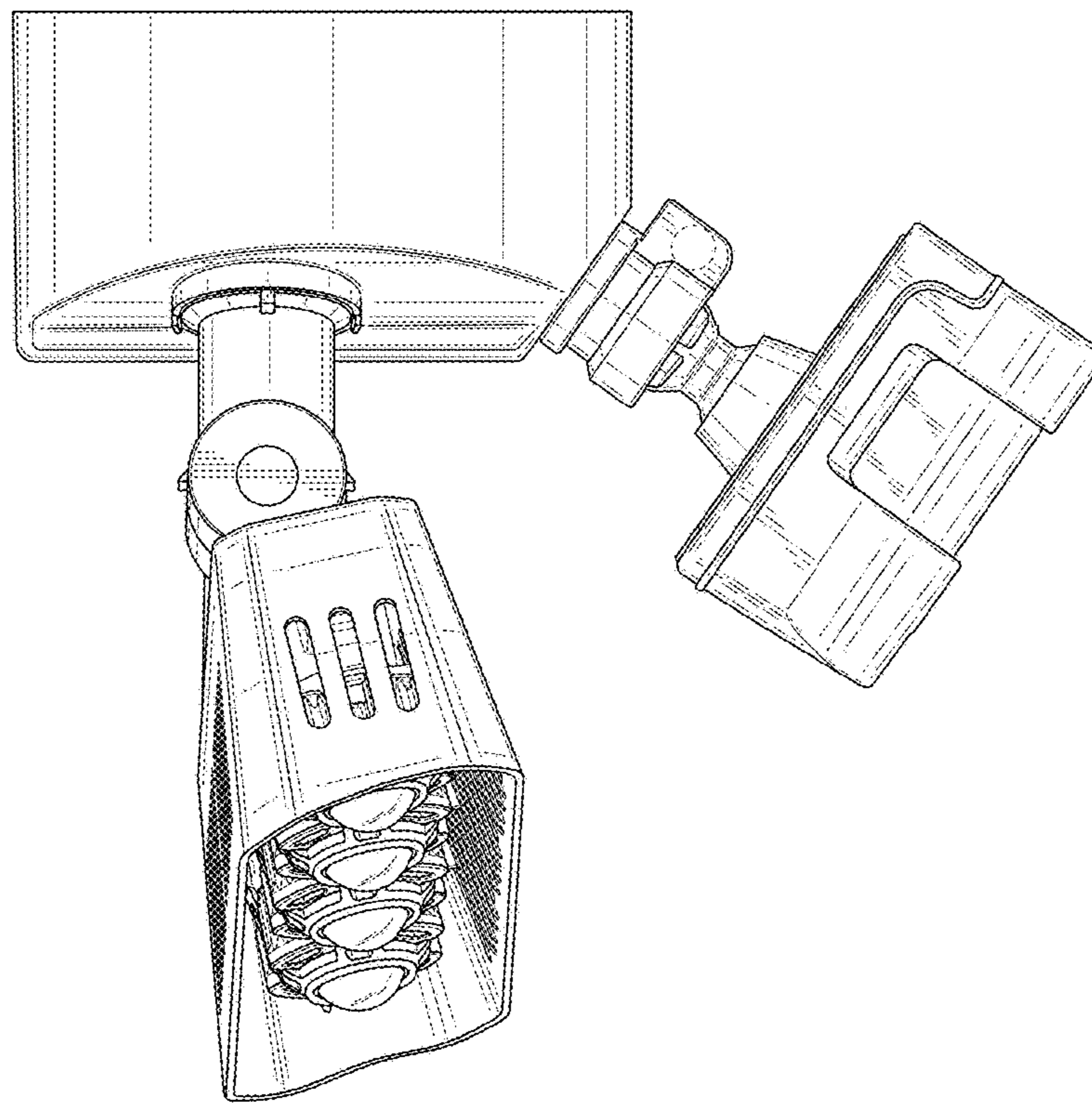


FIG. 4

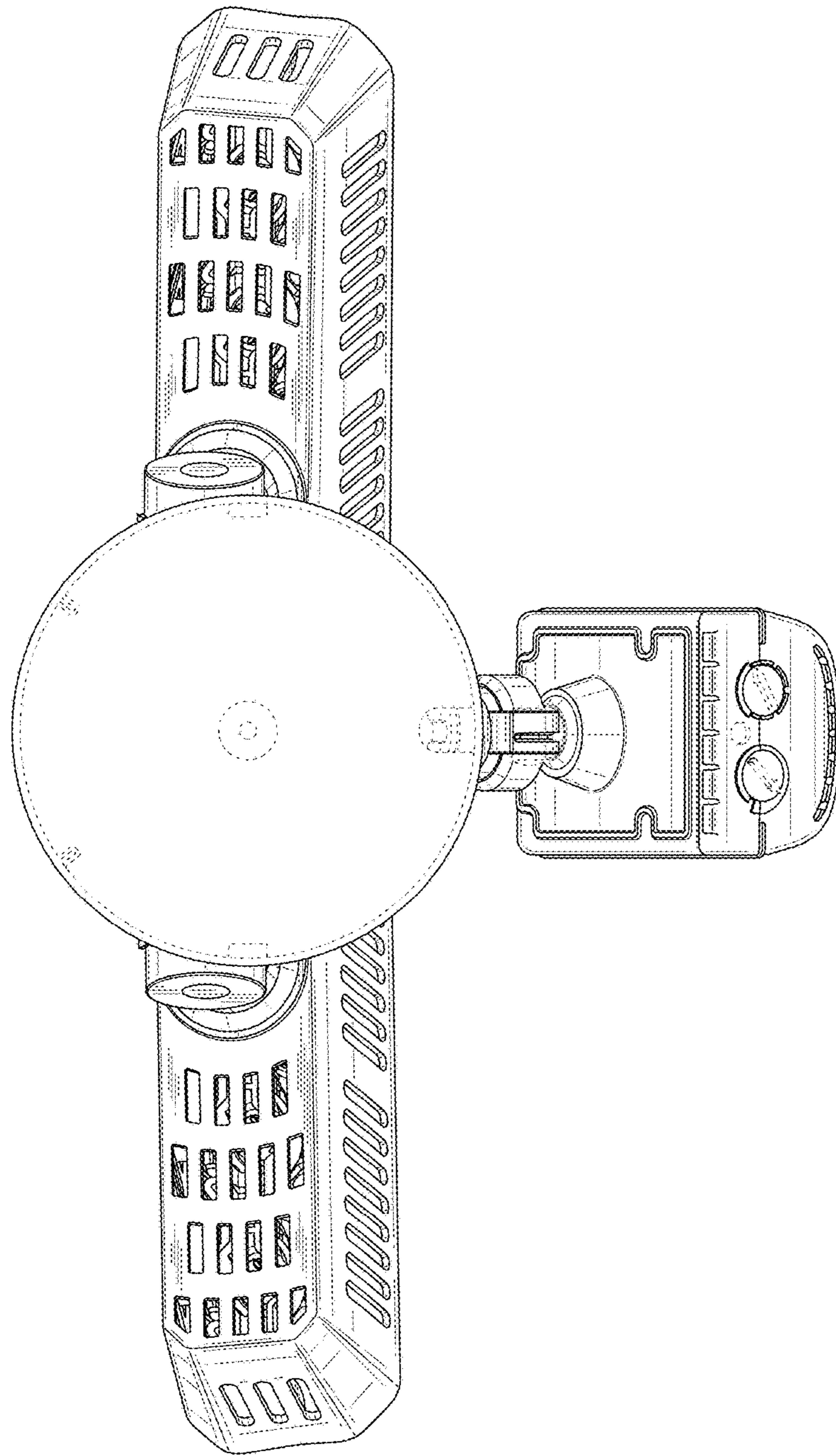


FIG. 5

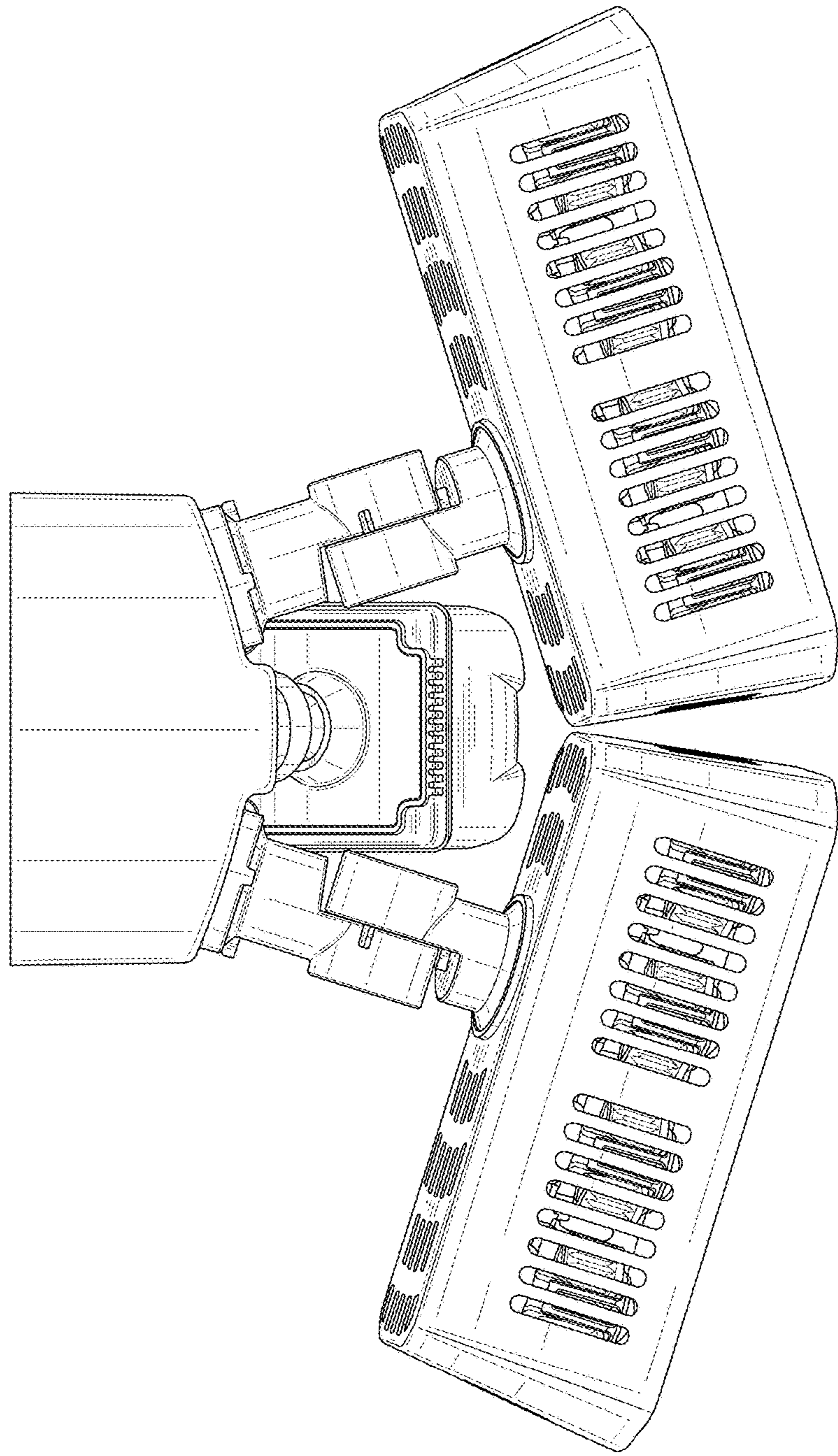


FIG. 6

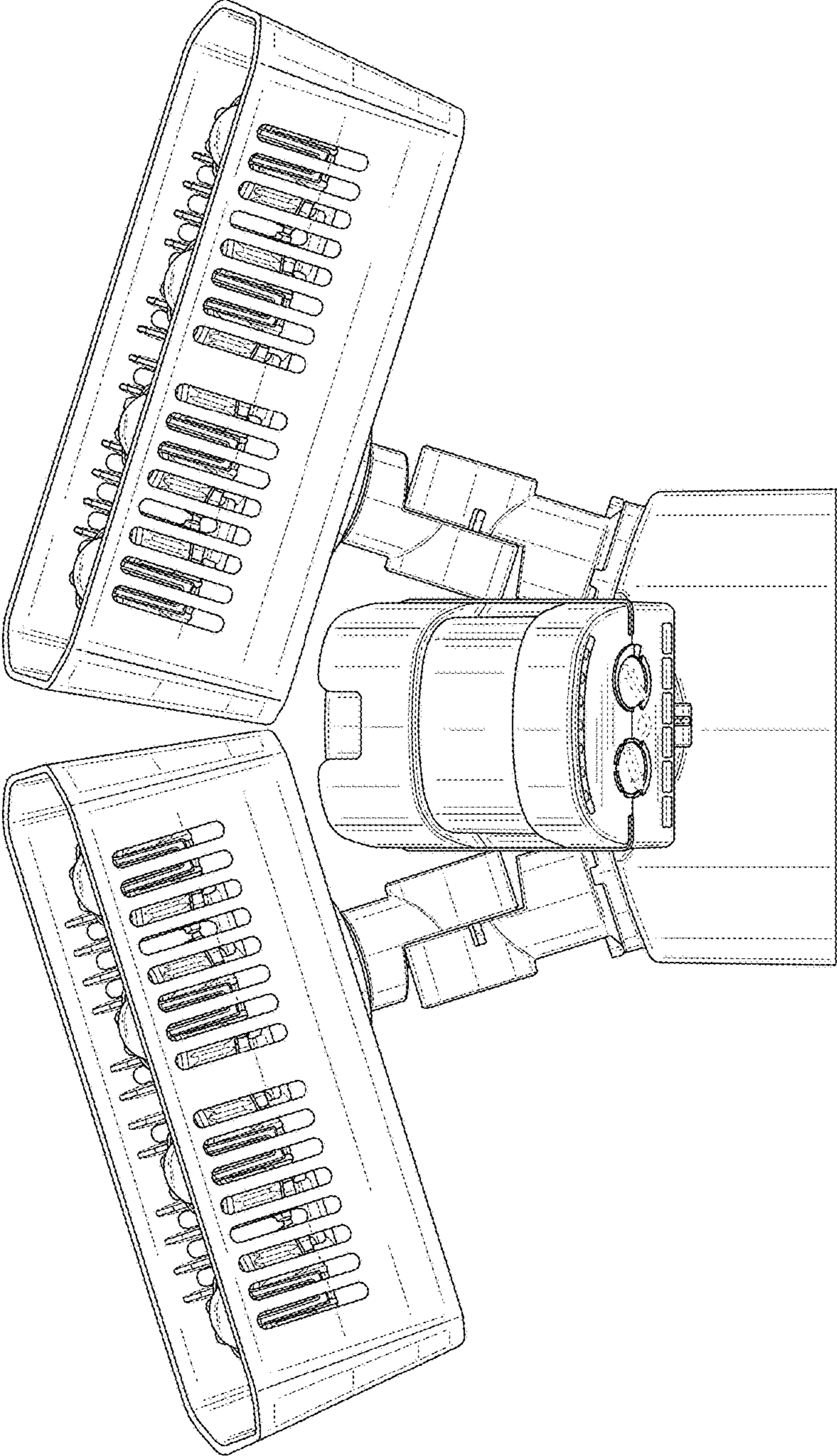


FIG. 7