



US00D858840S

(12) **United States Design Patent**  
**Deng**

(10) **Patent No.:** **US D858,840 S**

(45) **Date of Patent:** **\*\* Sep. 3, 2019**

(54) **EXPLOSION-PROOF LIGHT**

(71) Applicant: **DONGGUAN PAN AMERICAN ELECTRONICS CO., LTD,**  
DongGuan, GuangDong (CN)

(72) Inventor: **Jinsheng Deng,** DongGuan (CN)

(73) Assignee: **DONGGUAN PAN AMERICAN ELECTRONICS CO., LTD,** Dongguan (CN)

(\*\*) Term: **15 Years**

(21) Appl. No.: **29/638,419**

(22) Filed: **Feb. 27, 2018**

(30) **Foreign Application Priority Data**

Sep. 6, 2017 (CN) ..... 2017 3 0420587

(51) **LOC (12) Cl.** ..... **26-03**

(52) **U.S. Cl.**  
USPC ..... **D26/63**

(58) **Field of Classification Search**  
USPC ..... D26/24, 60-66, 72, 76-78, 80, 81, 83,  
D26/85-87, 92, 102, 113, 138, 142  
CPC ..... F21L 4/00; F21S 2/00; F21S 2/04; F21S  
10/00; F21V 1/00; F21V 3/02; F21V  
5/04; F21V 15/01; F21V 19/00; F21V  
21/00; F21V 21/06; F21V 14/02; F21V  
21/03; F21Y 2103/002; F21Y 2101/02  
See application file for complete search history.

(56) **References Cited**

**U.S. PATENT DOCUMENTS**

D591,883 S \* 5/2009 Gill ..... D26/63  
D645,594 S \* 9/2011 Grawe ..... D26/63  
D650,505 S \* 12/2011 Oka ..... D26/63  
D689,234 S \* 9/2013 Zhang ..... D26/72  
D712,581 S \* 9/2014 Scarlata ..... D26/65  
D713,983 S \* 9/2014 Yang ..... D26/63

8,911,116 B2 \* 12/2014 Blincoe ..... F21V 7/00  
362/294  
D776,320 S \* 1/2017 Bobel ..... D26/63  
D797,338 S \* 9/2017 Wang ..... D26/63  
D799,094 S \* 10/2017 Li ..... D26/63

(Continued)

**OTHER PUBLICATIONS**

Illuxor Explosion Proof LED Light, dated Oct. 17, 2016, [online], [site visited Feb. 25, 2019]. Available from Internet, <URL: [http://illuxor.com/products\\_show-id=320&classid=7&nclassid=0&xclassid=0.asp.html](http://illuxor.com/products_show-id=320&classid=7&nclassid=0&xclassid=0.asp.html)> (Year: 2016).\*

(Continued)

*Primary Examiner* — Angela J Lee

*Assistant Examiner* — Shawn T Gingrich

(74) *Attorney, Agent, or Firm* — Ladas & Parry LLP

(57) **CLAIM**

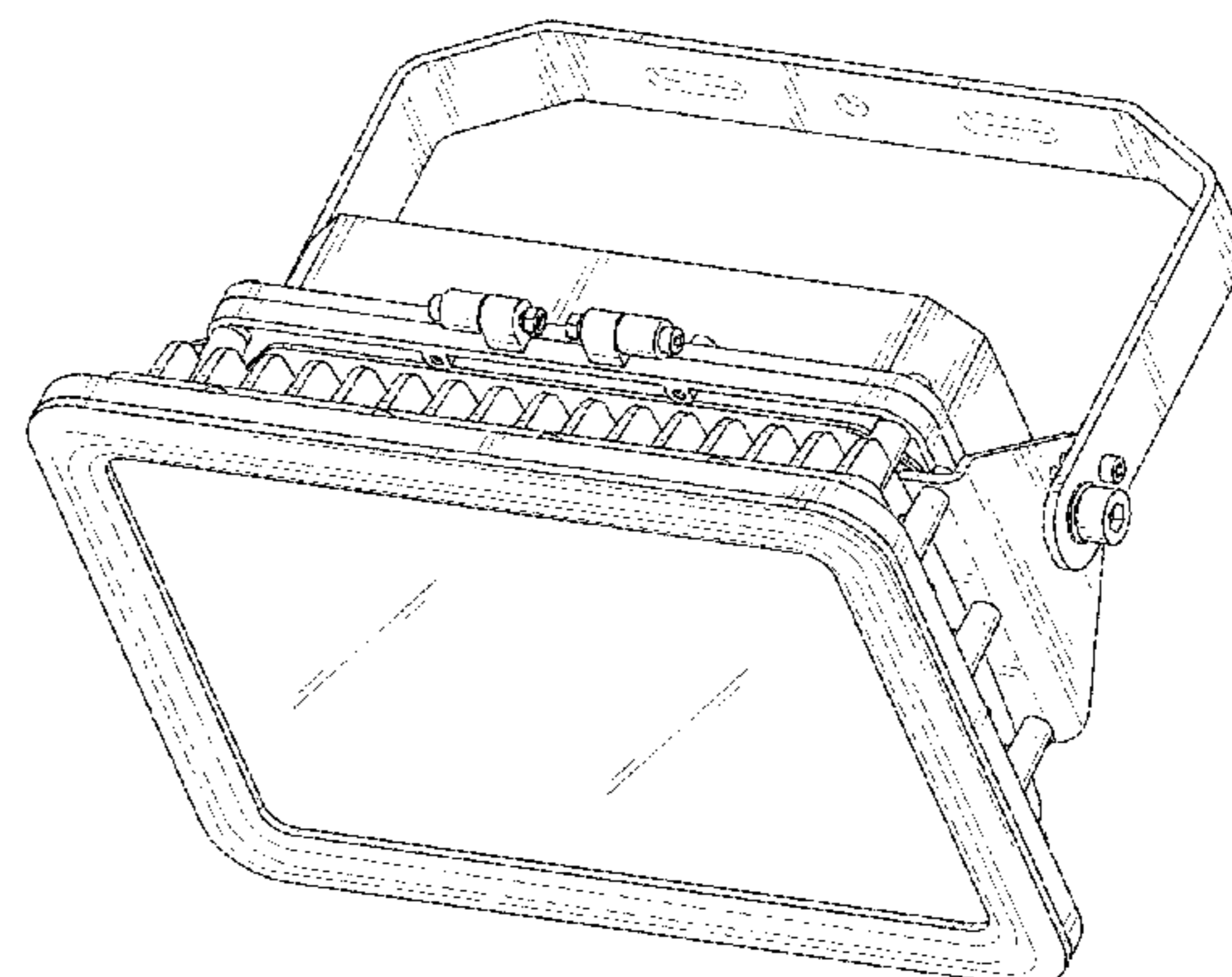
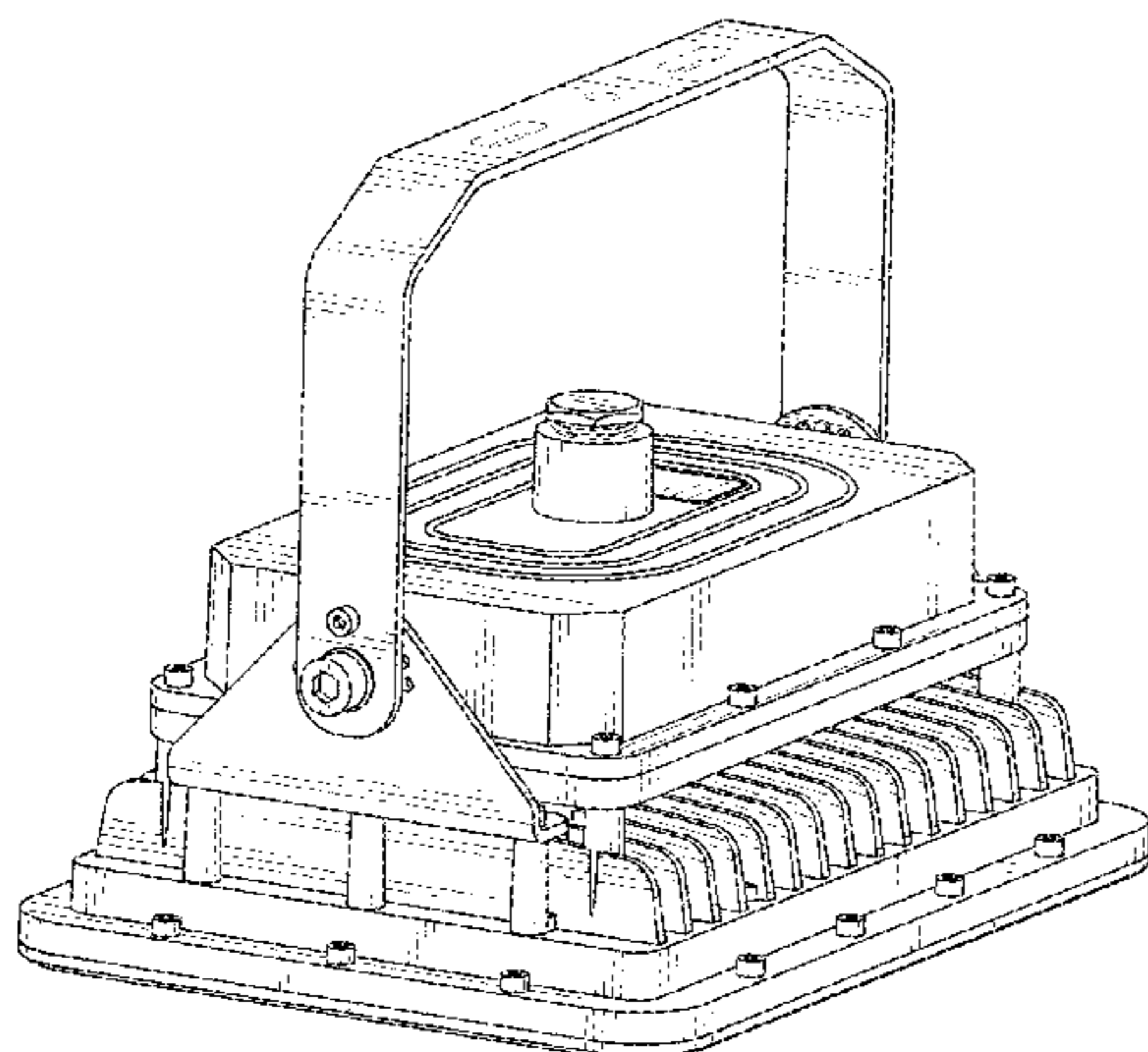
The ornamental design for an explosion-proof light, as shown and described.

**DESCRIPTION**

FIG. 1 is a front, left top perspective view of an explosion-proof light showing my new design;  
FIG. 2 is a rear, right bottom perspective view thereof;  
FIG. 3 is a front elevational view thereof;  
FIG. 4 is a rear elevational view thereof;  
FIG. 5 is a left side elevational view thereof;  
FIG. 6 is a right side elevational view thereof;  
FIG. 7 is a top plan view thereof;  
FIG. 8 is a bottom plan view thereof; and,  
FIG. 9 is a side view of the explosion-proof light in a mounted position.

The broken lines in FIGS. 1, 2 and 7 depict parts of the light that do not form part of the claimed design and the broken lines in FIG. 9 depict environmental structure and do not form part of the claimed design.

**1 Claim, 9 Drawing Sheets**



(56)

**References Cited**

## U.S. PATENT DOCUMENTS

D799,729 S \* 10/2017 Zhong ..... D26/63  
D803,448 S \* 11/2017 Dupras ..... D26/63  
10,012,375 B1 \* 7/2018 Salessi ..... F21V 29/503  
D842,520 S \* 3/2019 Brandrup ..... D26/63  
10,240,757 B1 \* 3/2019 Li ..... F21V 19/02  
D846,171 S \* 4/2019 Zhu ..... D26/63  
2013/0027917 A1 \* 1/2013 Luo ..... F21V 25/12  
362/157  
2015/0198298 A1 \* 7/2015 Scarlata ..... F21S 9/00  
362/184  
2015/0198310 A1 \* 7/2015 Scarlata ..... F21V 29/507  
362/249.01  
2017/0370537 A1 \* 12/2017 Wu ..... F21S 4/28  
2019/0056076 A1 \* 2/2019 Thomas ..... F21V 23/023

## OTHER PUBLICATIONS

200W Explosion Proof Light, dated Aug. 8, 2016, [online], [site visited Feb. 25, 2019]. Available from Internet, <URL: [https://d114hh0cykhyb0.cloudfront.net/pdfs/EPL-NW200\\_series.pdf](https://d114hh0cykhyb0.cloudfront.net/pdfs/EPL-NW200_series.pdf)> (Year: 2016).\*

Defender Explosion Proof Light, dated Dec. 17, 2016, [online], [site visited Feb. 25, 2019]. Available from Internet, <URL: <http://ledinaction.com/brand-new-explosion-proof-light-2/fel-c-njz-ul-led-explosion-proof-light-2/>> (Year: 2016).\*

\* cited by examiner

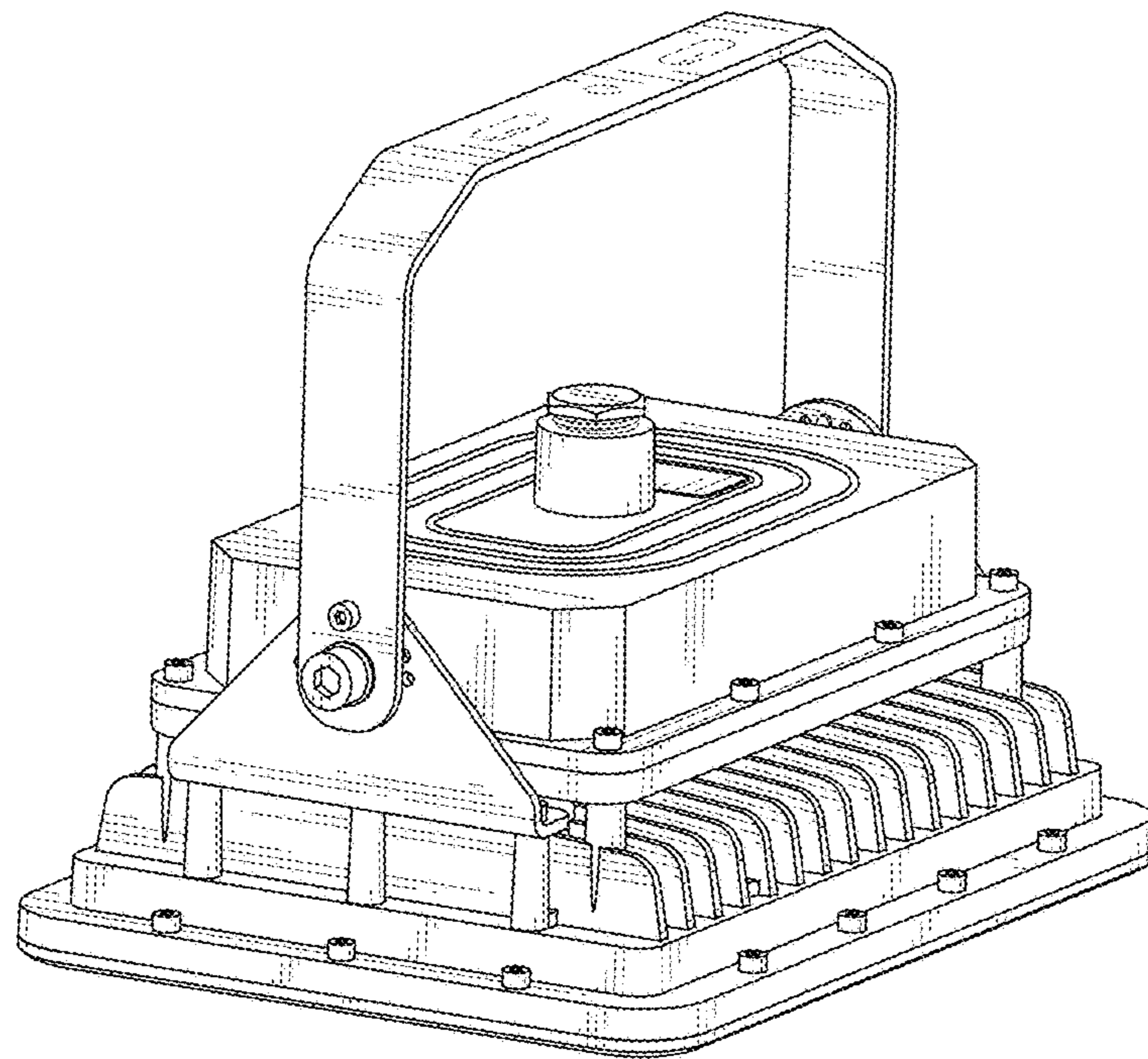


FIG. 1



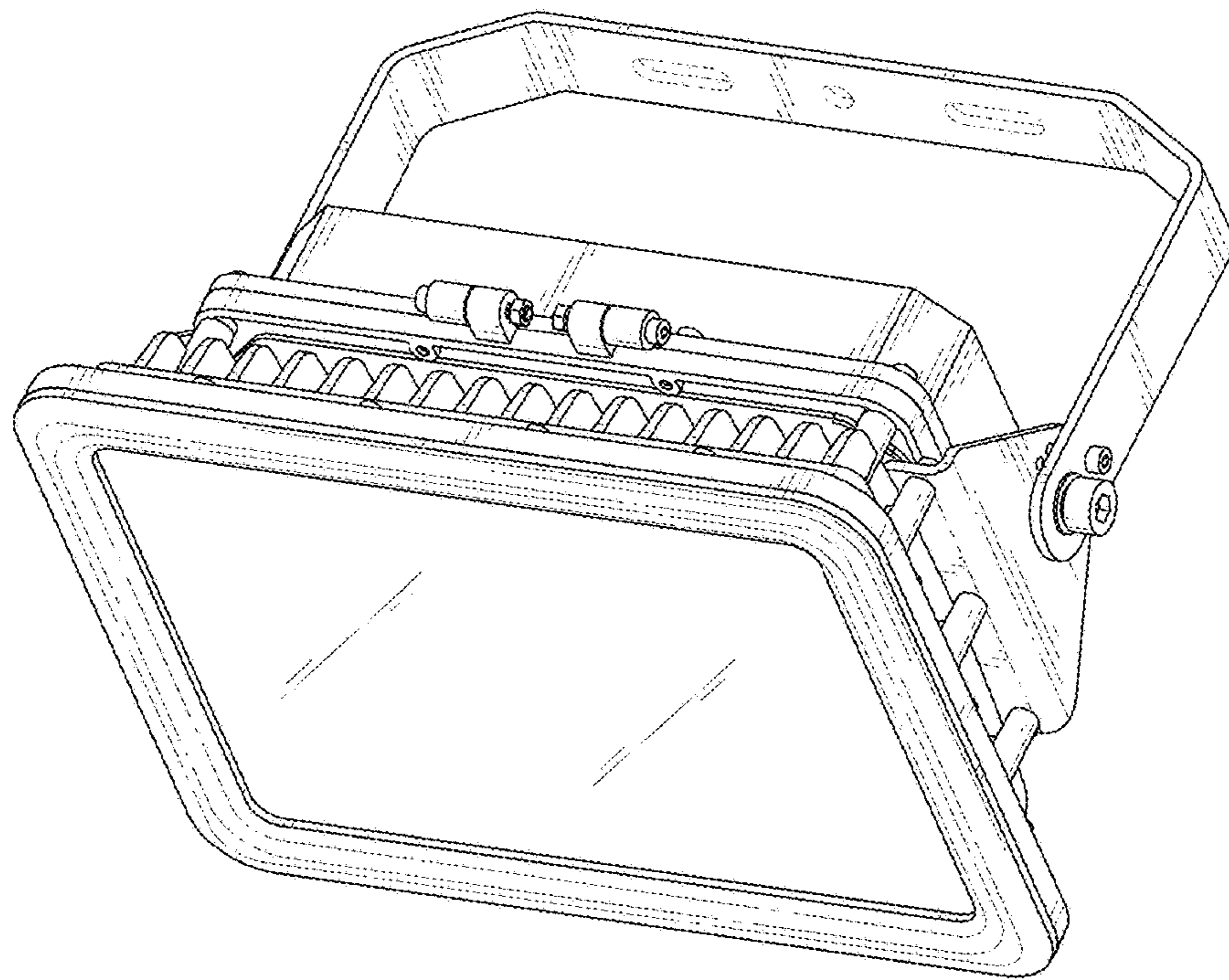


FIG. 2

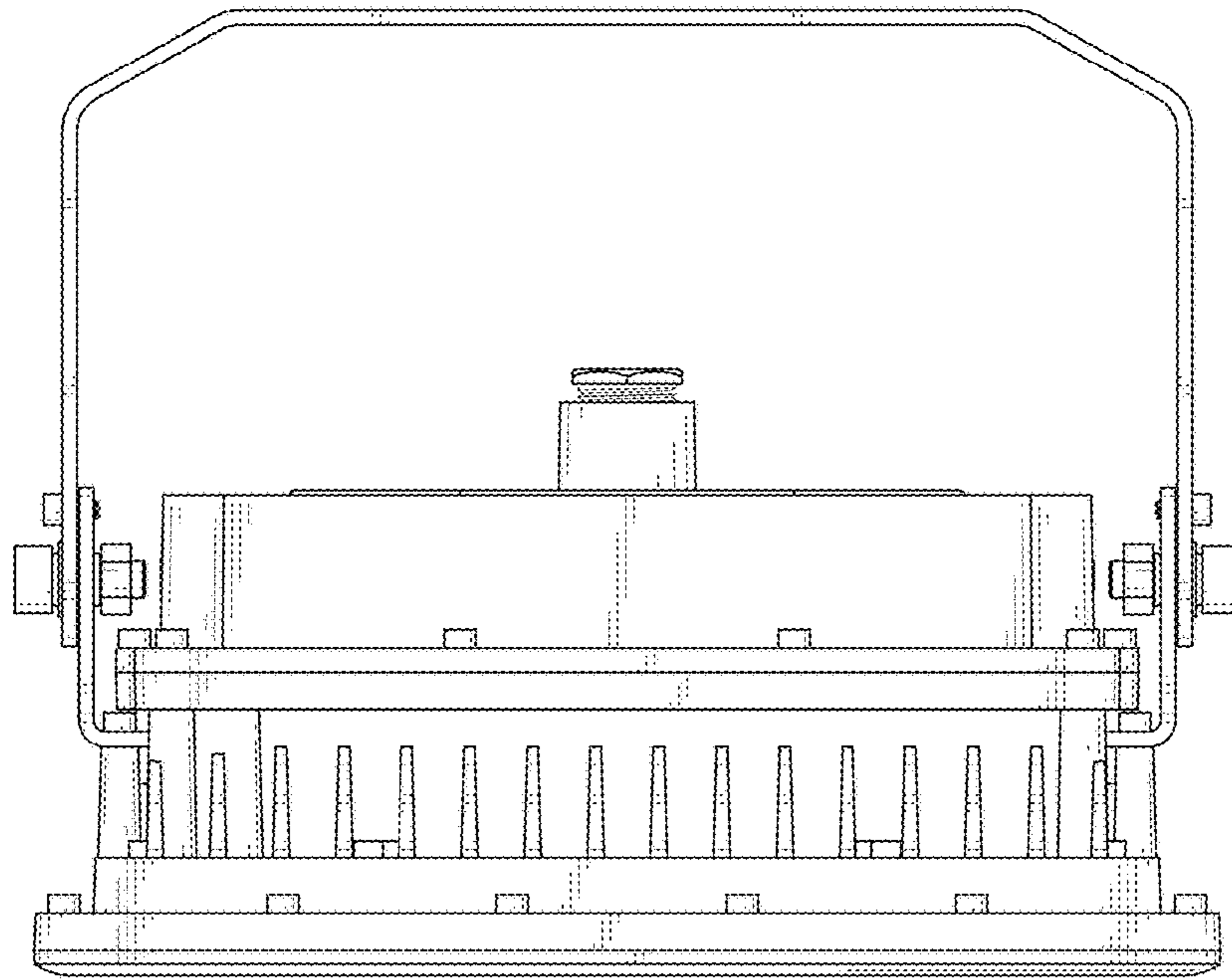


FIG. 3

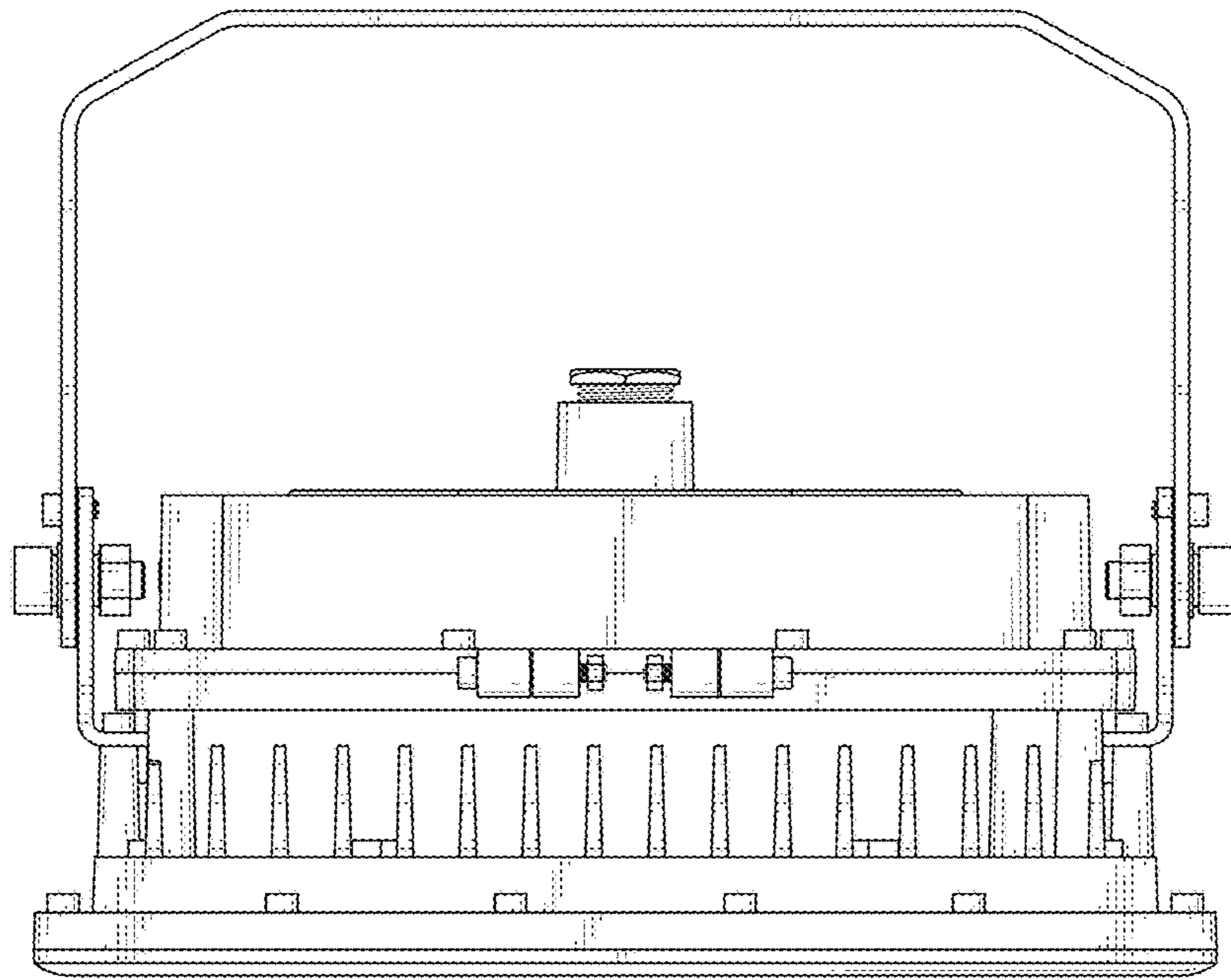


FIG. 4

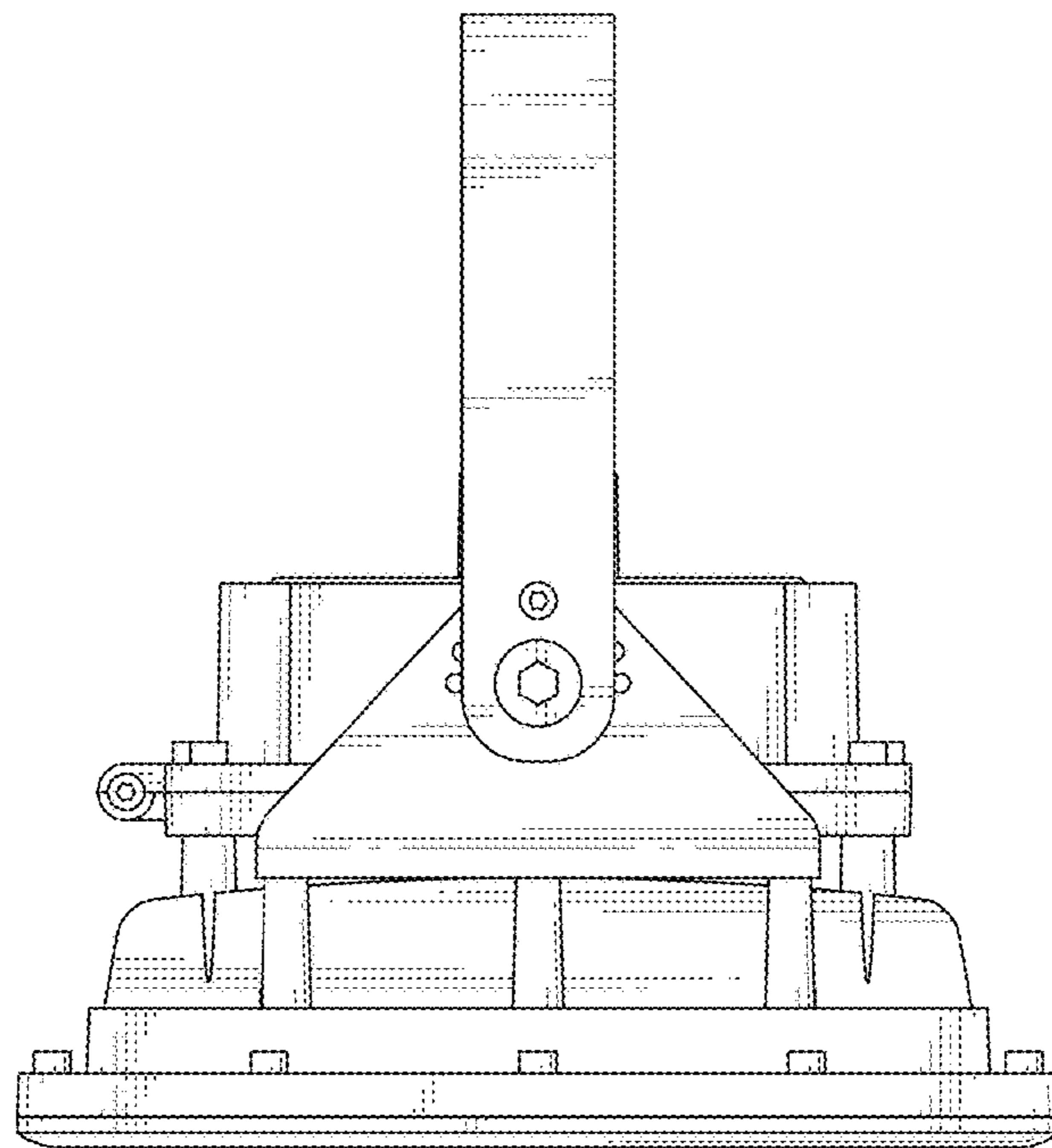


FIG. 5

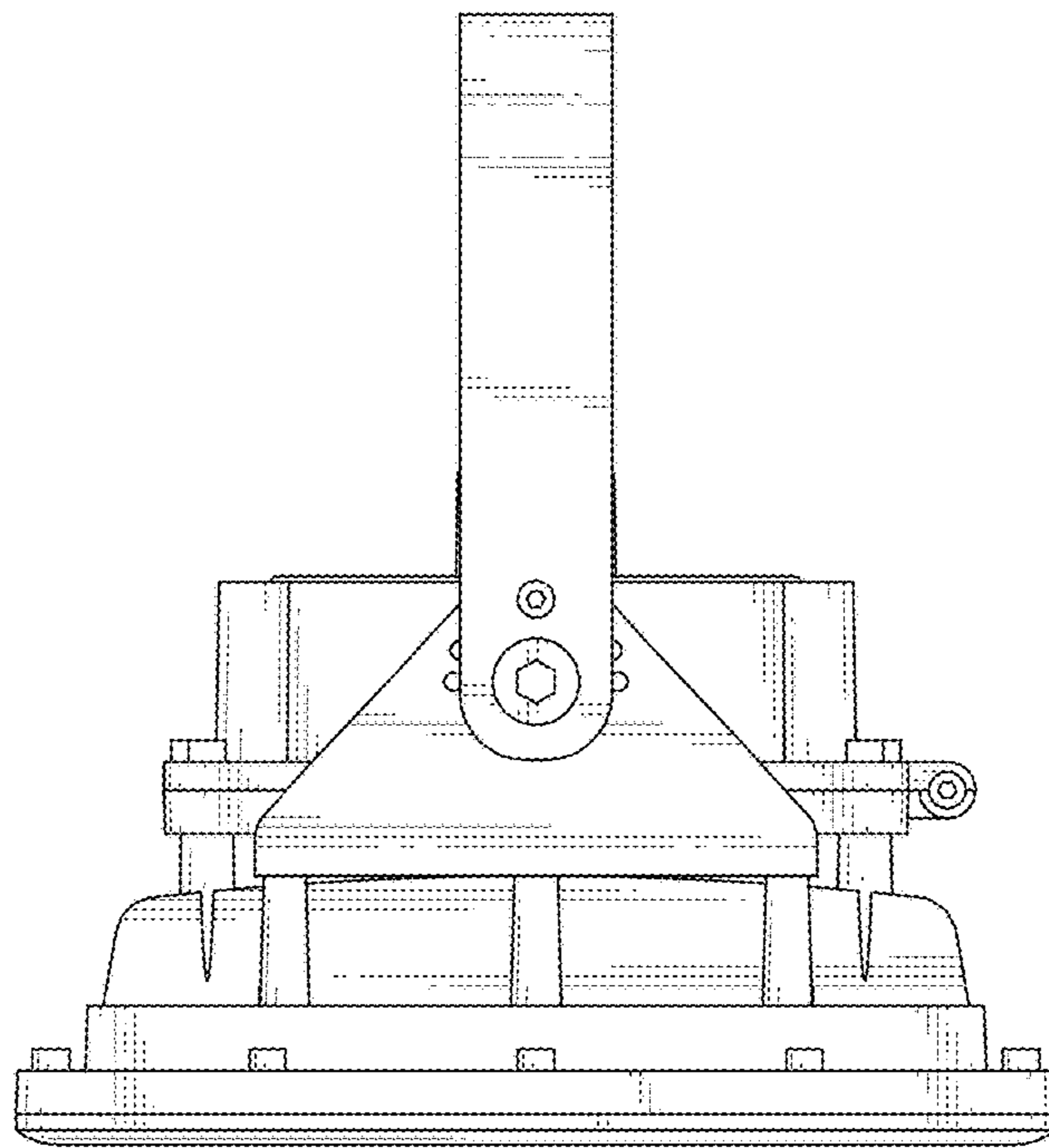


FIG. 6



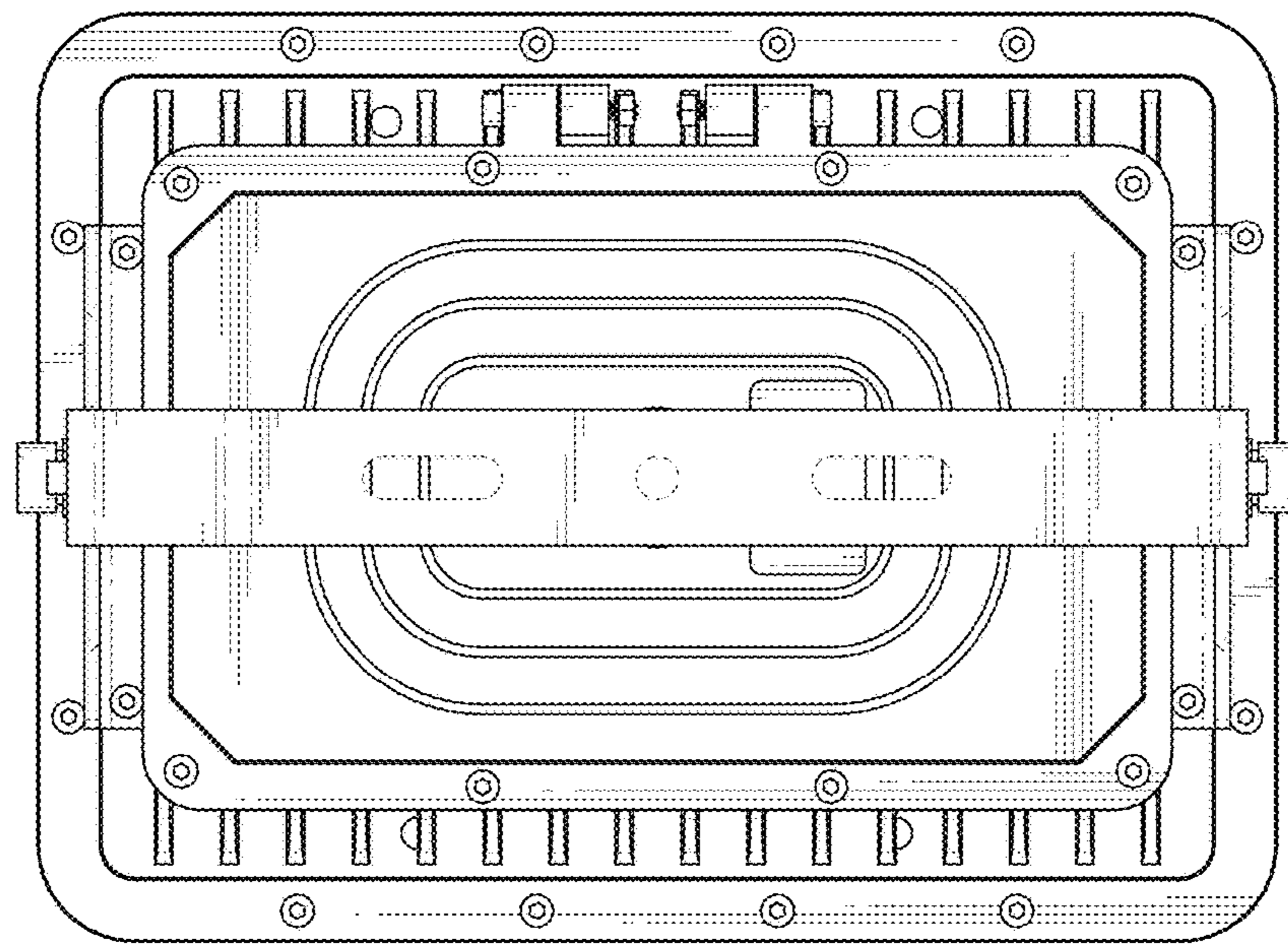


FIG. 7

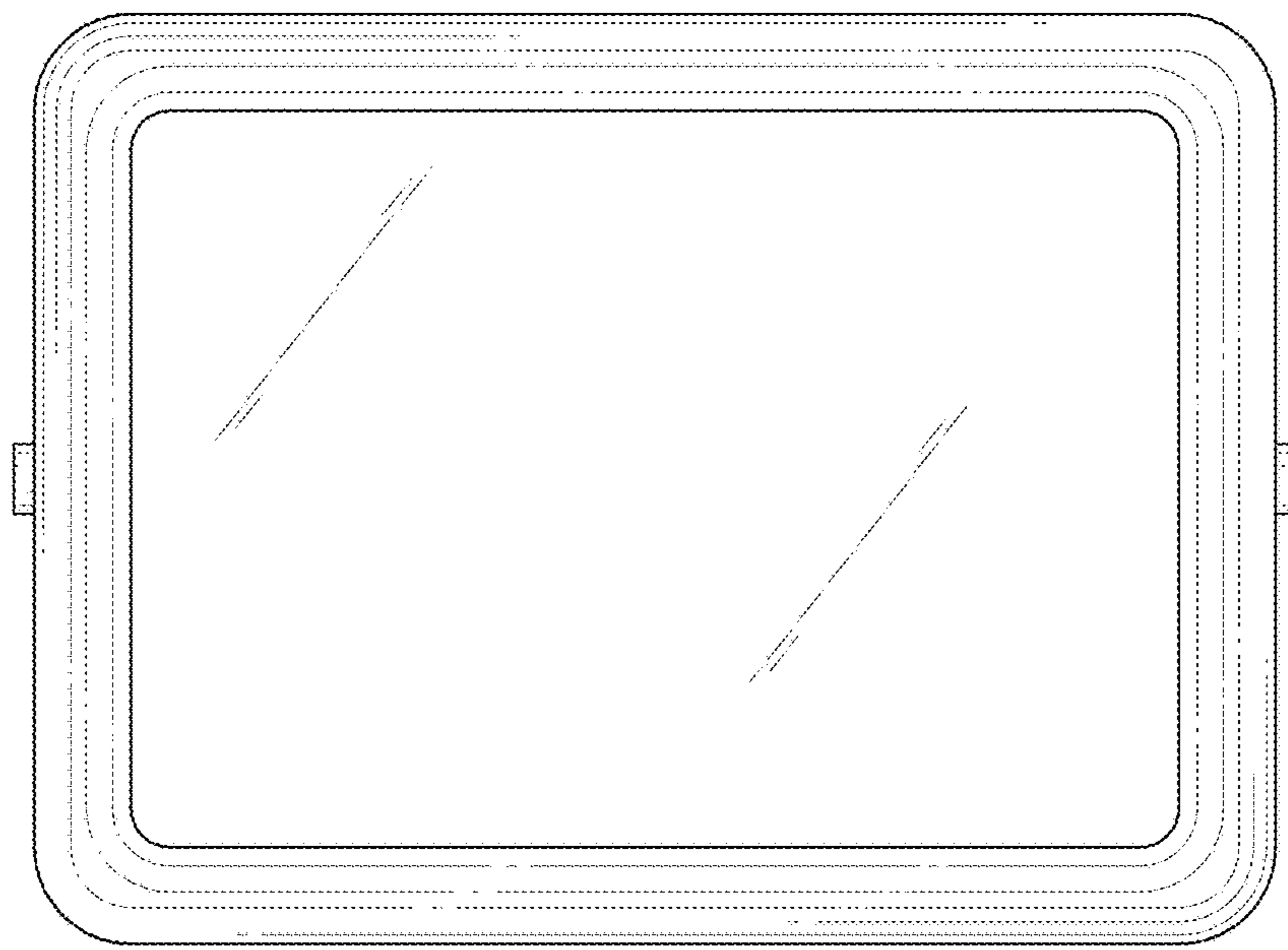


FIG. 8

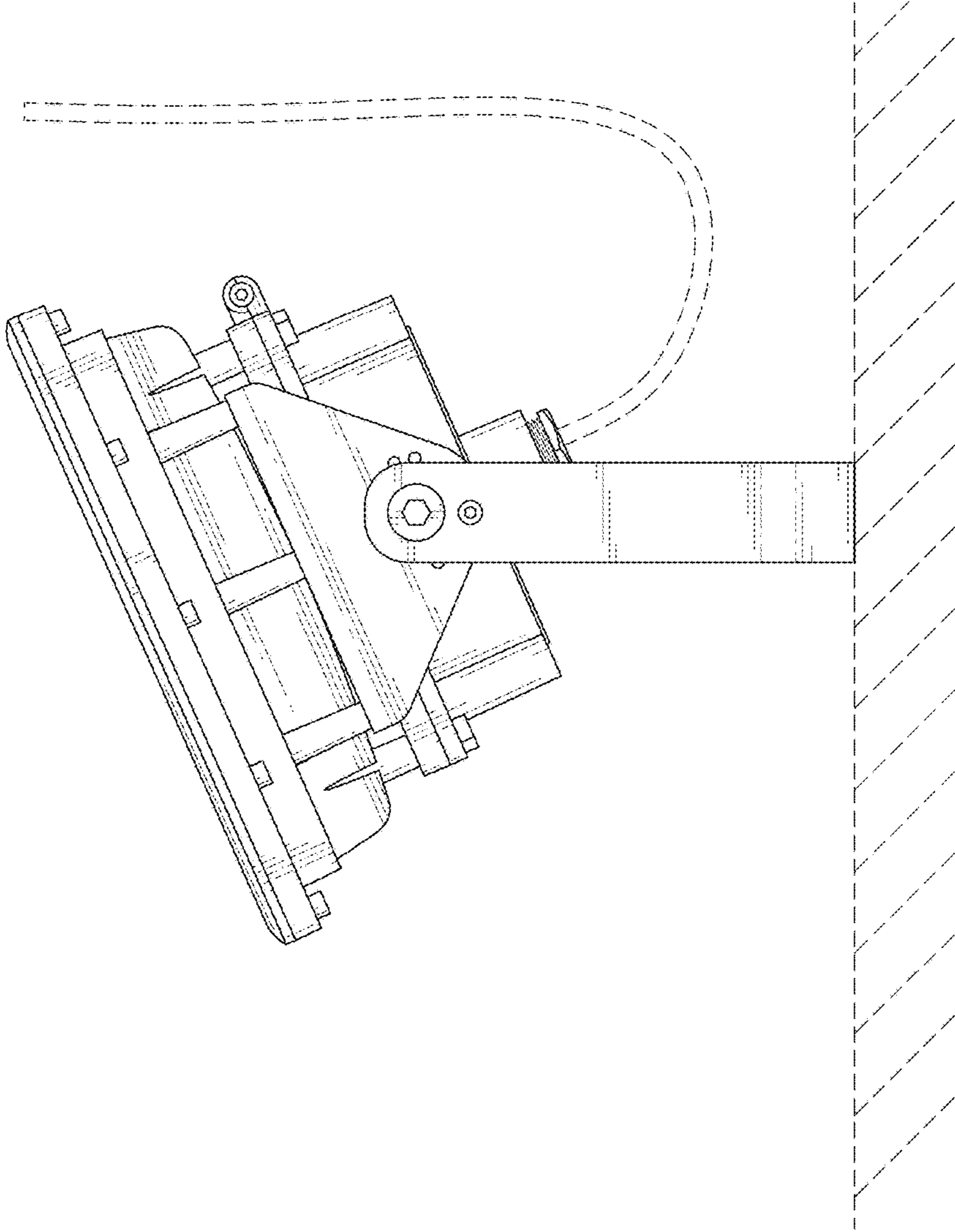


FIG. 9