



US00D858838S

(12) **United States Design Patent**
Vasquez et al.

(10) **Patent No.:** **US D858,838 S**
(45) **Date of Patent:** **** Sep. 3, 2019**

(54) **LED TROUBLE LIGHT WITH CLAMP**

(71) Applicants: **Robert Vasquez**, Gilbert, AZ (US);
Brian Freeland, Chandler, AZ (US)

(72) Inventors: **Robert Vasquez**, Gilbert, AZ (US);
Brian Freeland, Chandler, AZ (US)

(73) Assignee: **SHAWSHANK LEDZ INC.**, Gilbert,
AZ (US)

(**) Term: **15 Years**

(21) Appl. No.: **29/646,836**

(22) Filed: **May 8, 2018**

(51) **LOC (12) Cl.** **26-03**

(52) **U.S. Cl.**
USPC **D26/60**; D26/37

(58) **Field of Classification Search**
USPC D26/1, 24, 37, 40-45, 48-50, 60, 61, 63,
D26/113, 119, 138
CPC F21L 4/00; F21L 4/02; F21L 14/02; F21L
1/00; F21L 14/23; F21V 29/00; F21V
23/04; F21V 21/00; F21V 21/08; F21V
21/40; F21V 21/26; F21S 13/00
See application file for complete search history.

(56) **References Cited**

U.S. PATENT DOCUMENTS

2,258,032	A *	10/1941	Popp	F21L 14/02 362/378
2,652,484	A *	9/1953	Graves	F21L 14/00 362/296.07
D250,673	S *	12/1978	Jennings	D26/119
D251,751	S	5/1979	Lawrence		
4,272,803	A *	6/1981	Johnson	F21V 21/145 362/344
4,275,435	A *	6/1981	Dorn	F21V 15/02 362/368
4,310,874	A *	1/1982	Spiteri	F21L 14/02 362/212
D271,057	S	10/1983	Tirpik		

(Continued)

OTHER PUBLICATIONS

Performance Tool LED Drop Light with Extra Built in 120V Outlet,
dated Jan. 24, 2018, [online], [site visited Apr. 9, 2019]. Available
from Internet, <URL: <https://www.amazon.com/Performance-Tool-W2237-lumen-Outlet/dp/B07989VX1Y/>> (Year: 2018).*

(Continued)

Primary Examiner — Angela J Lee

Assistant Examiner — Shawn T Gingrich

(74) *Attorney, Agent, or Firm* — LegalForce RAPC
Worldwide

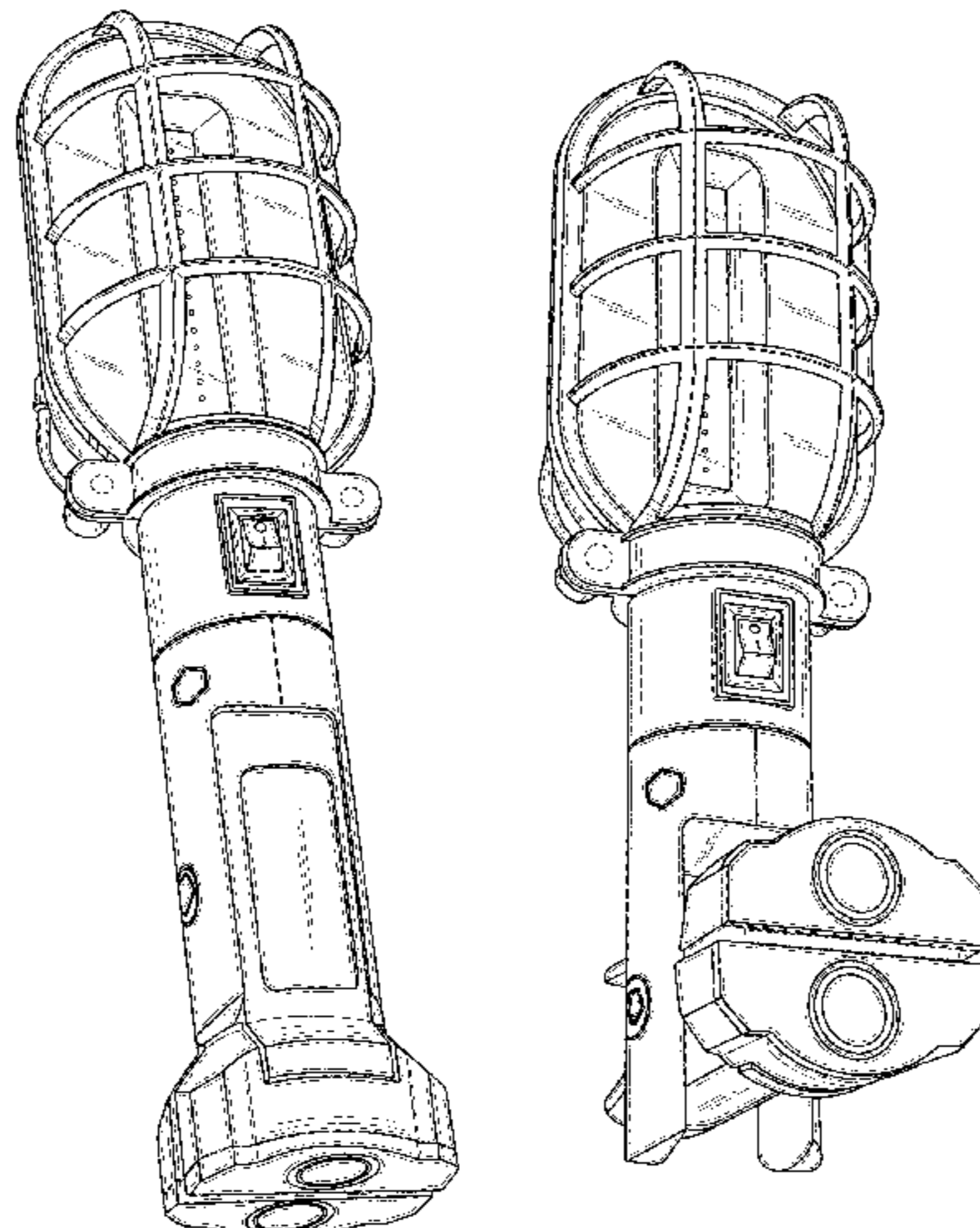
(57) **CLAIM**

The ornamental design for a LED trouble light with clamp,
as shown and described.

DESCRIPTION

FIG. 1 is a front bottom left side perspective view for a LED
trouble light with clamp, showing our new design with hook
folded in the back and clamp in non-rotated position;
FIG. 2 is a front elevational view of FIG. 1 thereof;
FIG. 3 is a rear elevational view of FIG. 1 thereof;
FIG. 4 is a left side elevational view of FIG. 1 thereof;
FIG. 5 is a right side elevational view of FIG. 1 thereof;
FIG. 6 is a top perspective view of FIG. 1 thereof;
FIG. 7 is a bottom perspective view of FIG. 1 thereof;
FIG. 8 is a front bottom left side perspective view of FIG.
1 thereof, with hook in extended position and clamp in
non-rotated position; and,
FIG. 9 is a front bottom left side perspective view of FIG.
1 thereof, with hook folded in the back and clamp rotated to
the front position.
The broken lines indicate portions of the design that form no
part of the claimed design.

1 Claim, 9 Drawing Sheets



(56)

References Cited

U.S. PATENT DOCUMENTS

4,672,515 A * 6/1987 Baker F21L 14/02
24/20 LS
4,678,153 A * 7/1987 Maddock F21L 14/02
24/339
4,999,752 A * 3/1991 Rogers F21L 14/023
315/165
D320,463 S 10/1991 Pettersen et al.
D322,680 S 12/1991 Baggio
D331,634 S 12/1992 Browne
D339,425 S 9/1993 Anderson
D344,150 S 2/1994 Umhauser
D351,479 S 10/1994 Meyer
D389,931 S 1/1998 Kovacik et al.
D489,467 S * 5/2004 Mackin D26/119
D500,383 S 12/2004 Lin
D541,453 S * 4/2007 Lau D26/40
D556,926 S 12/2007 Thirouin et al.
7,320,537 B1 * 1/2008 Stillwaugh F21L 14/02
362/285
D590,529 S 4/2009 Jiang
D626,673 S * 11/2010 Kovacik D26/38
D641,925 S * 7/2011 Ko D26/138
D648,054 S 11/2011 Zhuang et al.
D703,356 S * 4/2014 Grandadam D26/44
8,721,137 B1 * 5/2014 Chien F21L 14/02
362/185
D750,303 S 2/2016 Levy et al.
D757,971 S 5/2016 Kovacik et al.
D768,321 S 10/2016 Inskip
D794,234 S 8/2017 Levy et al.
D810,335 S 2/2018 Levy et al.
D831,249 S * 10/2018 Berends D26/42
2017/0370536 A1 * 12/2017 Berends F21L 4/02

OTHER PUBLICATIONS

Bayco SL-425 Incandescent Work Light w/Metal Guard Yellow, dated Jul. 7, 2004, [online], [site visited Apr. 9, 2019]. Available

from Internet, <URL: <https://www.amazon.com/Bayco-SL-425-Incandescent-Light-Yellow/dp/B000256R14>> (Year: 2004).*

NBhongfu Portable LED Work Light, dated Dec. 19, 2018, [online], [site visited Apr. 9, 2019]. Available from Internet, <URL: <https://www.amazon.com/NBhongfu-Portable-Rechargeable-Flashlight-Inspection/dp/B07M8JRFQD>> (Year: 2018).*

3-Pack of LED Work Lights with Magnetic Stands, dated Sep. 24, 2015, [online], [site visited Apr. 9, 2019]. Available from Internet, <URL:<https://www.groupon.com/deals/gg-led-work-lights>> (Year: 2015).*

US Trademark Serial No. 85424721; Mark—Magic Seasons Filing date: Sep. 16, 2011.

US Trademark Serial No. 85424691; Mark—Blazing LEDZ Filing date: Sep. 16, 2011 Publication date: Mar. 6, 2012.

US Trademark Serial No. 85425045; Mark—Blacklight Master Filing date: Sep. 16, 2011 Publication date: Sep. 4, 2012.

US Trademark Serial No. 87561976; Mark—Shawshank LEDZ Filing date: Aug. 9, 2017 Publication date: Dec. 12, 2017.

US Trademark Serial No. 85243364; Mark—Scorpion Master Filing date: Feb. 16, 2011 Publication date: Jun. 28; 2011.

“Portable Hanging Worklight Hang From Hook or Attach with Magnet”, by Shawshank LEDz, Found Online on [Jul. 18, 2018] https://images-na.ssl-images-amazon.com/images/I/61EPmTjGqfL._SL1497.jpg.

“702464 COB 3W Triangle Swivel Work Light”, by Shawshank LEDz, Found Online on [Jul. 18, 2018] https://images-na.ssl-images-amazon.com/images/I/81rY5UFy5gL._SL1500.jpg.

“Mini Cob Magnetic & Hook Troublelight Flashlight”, by Blazing LEDz, Found Online on [Jul. 18, 2018] https://images.homedepot-static.com/productimages/bb034dbb-a446-4ceb-852f-275fedc83bfc/svn/multi-blazing-ledz-flashlights-702465-64_1000.jpg.

“24 SMD LED Trouble Light”, by Grip, Found Online on [Jul. 18, 2018] <https://images-na.ssl-images-amazon.com/images/I/3148CZ9nu0L.jpg>.

“Battery Powered / 12V LED Work Light with Magnetic Base”, by Motor Trend, Found Online on [Jul. 18, 2018] <https://img.yugster.com/uploads/image/image/57451/21LED.jpg>.

* cited by examiner

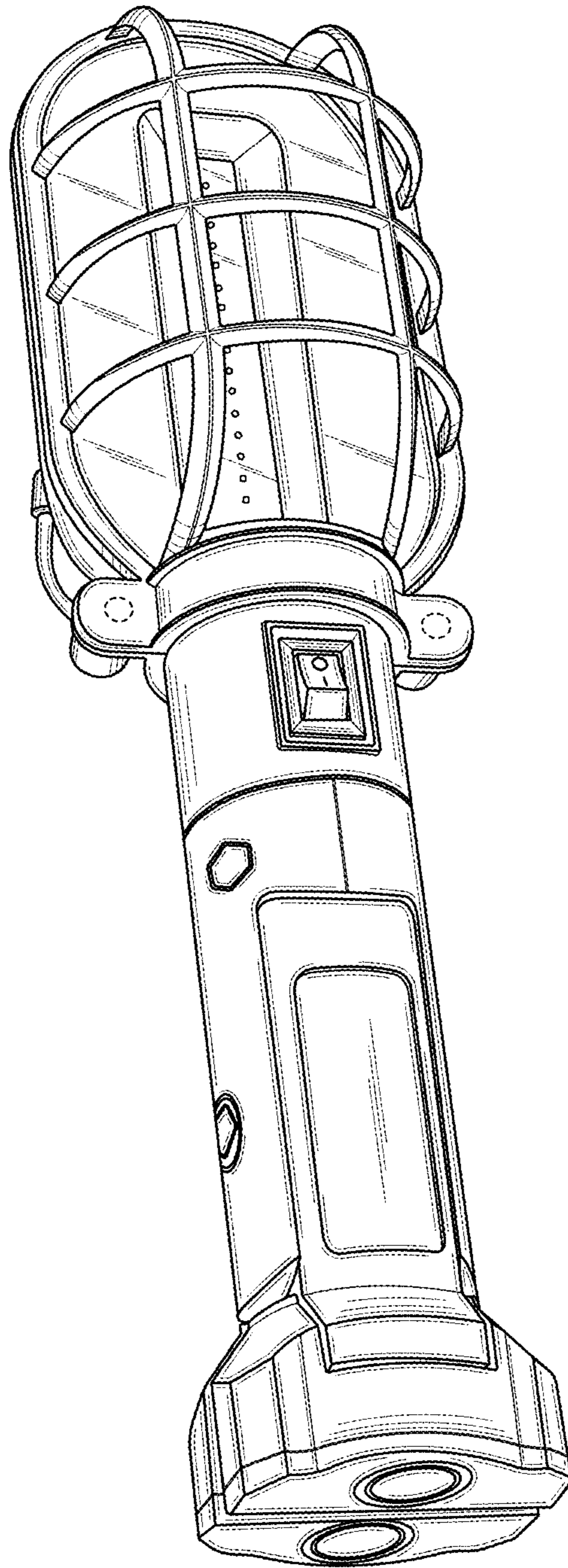


FIG. 1

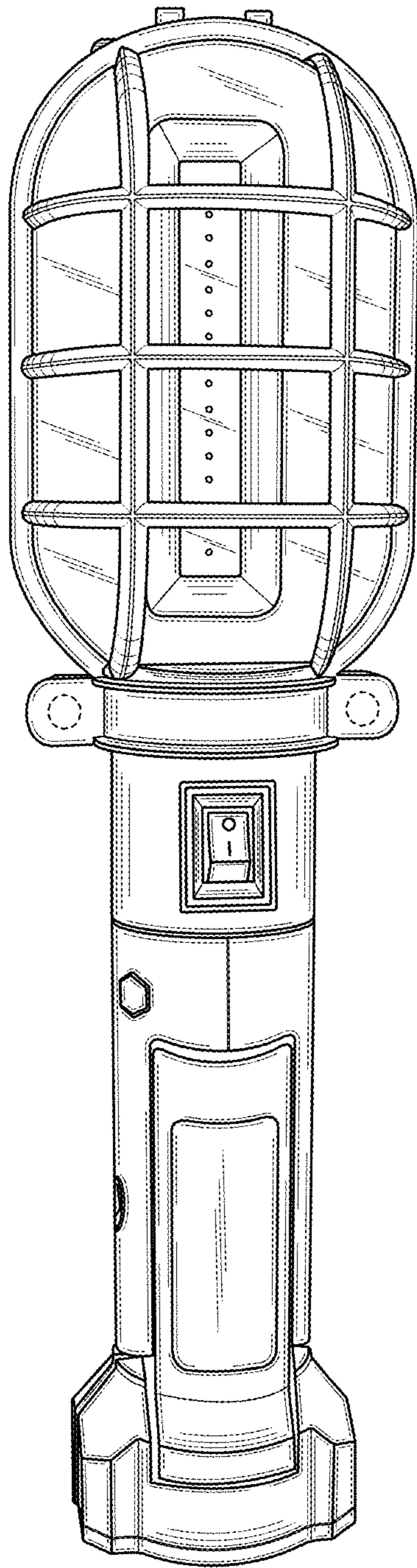


FIG. 2

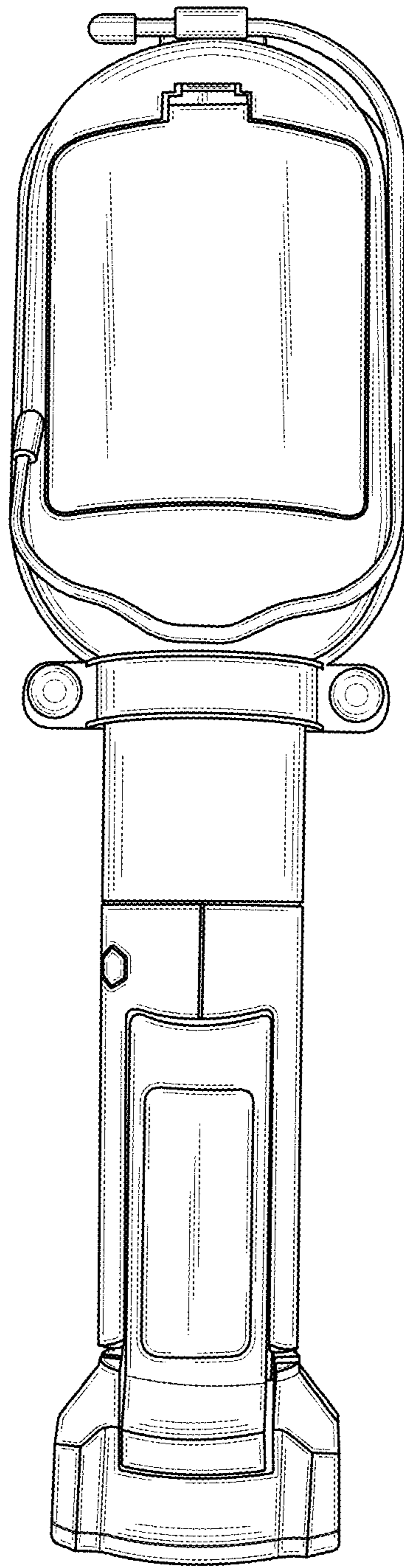


FIG. 3

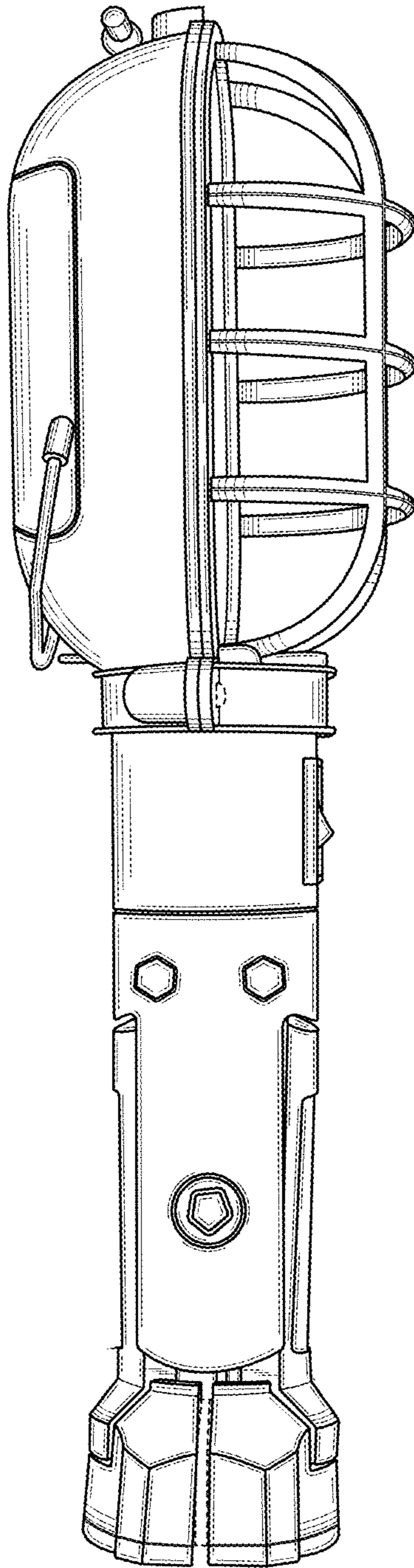


FIG. 4

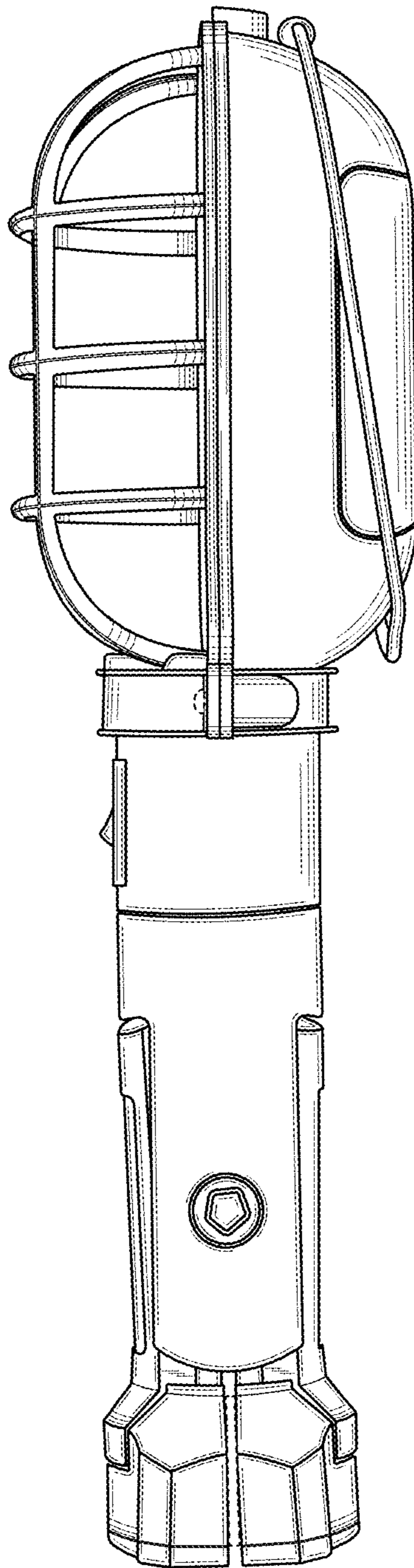


FIG. 5

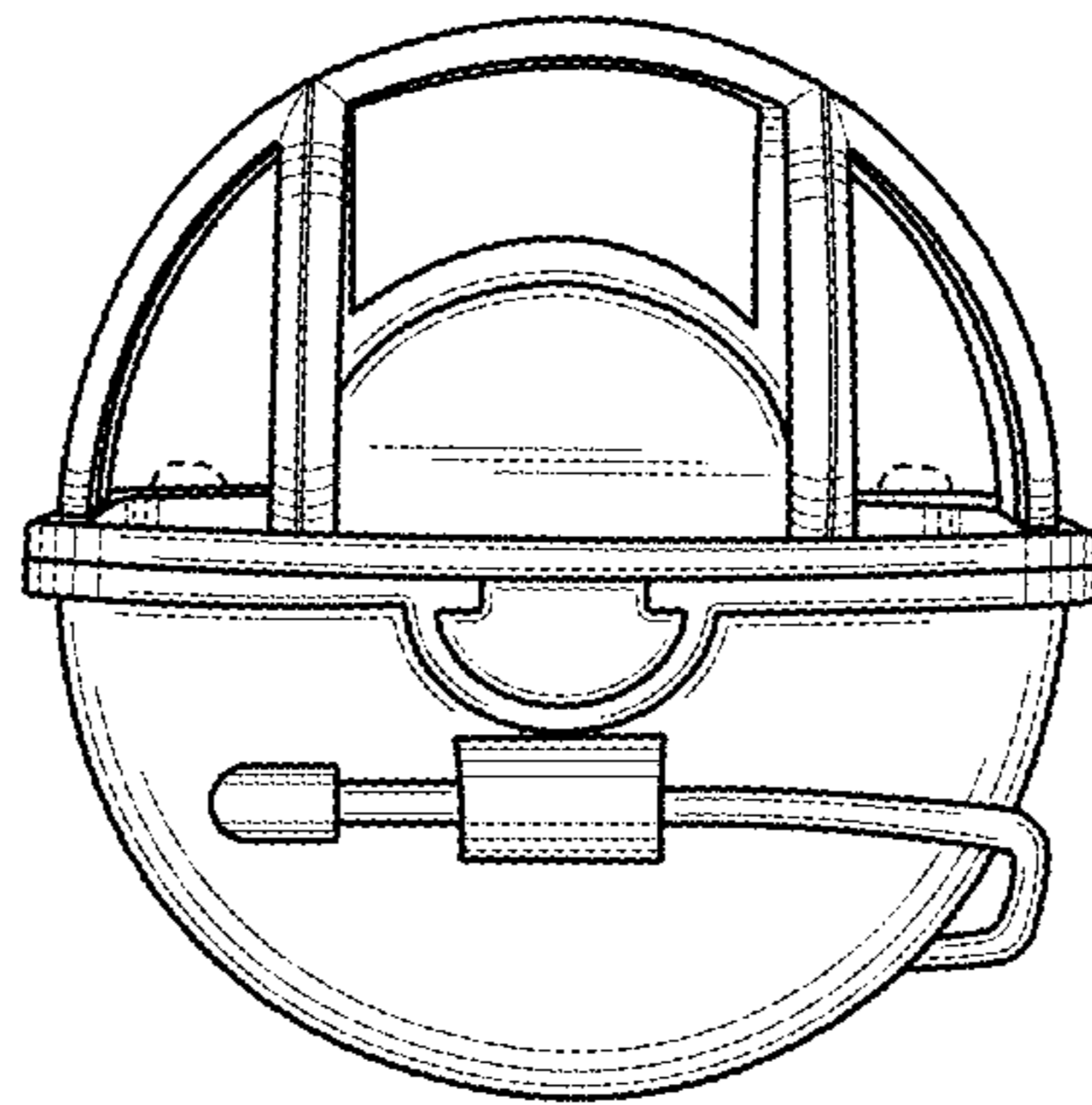


FIG. 6

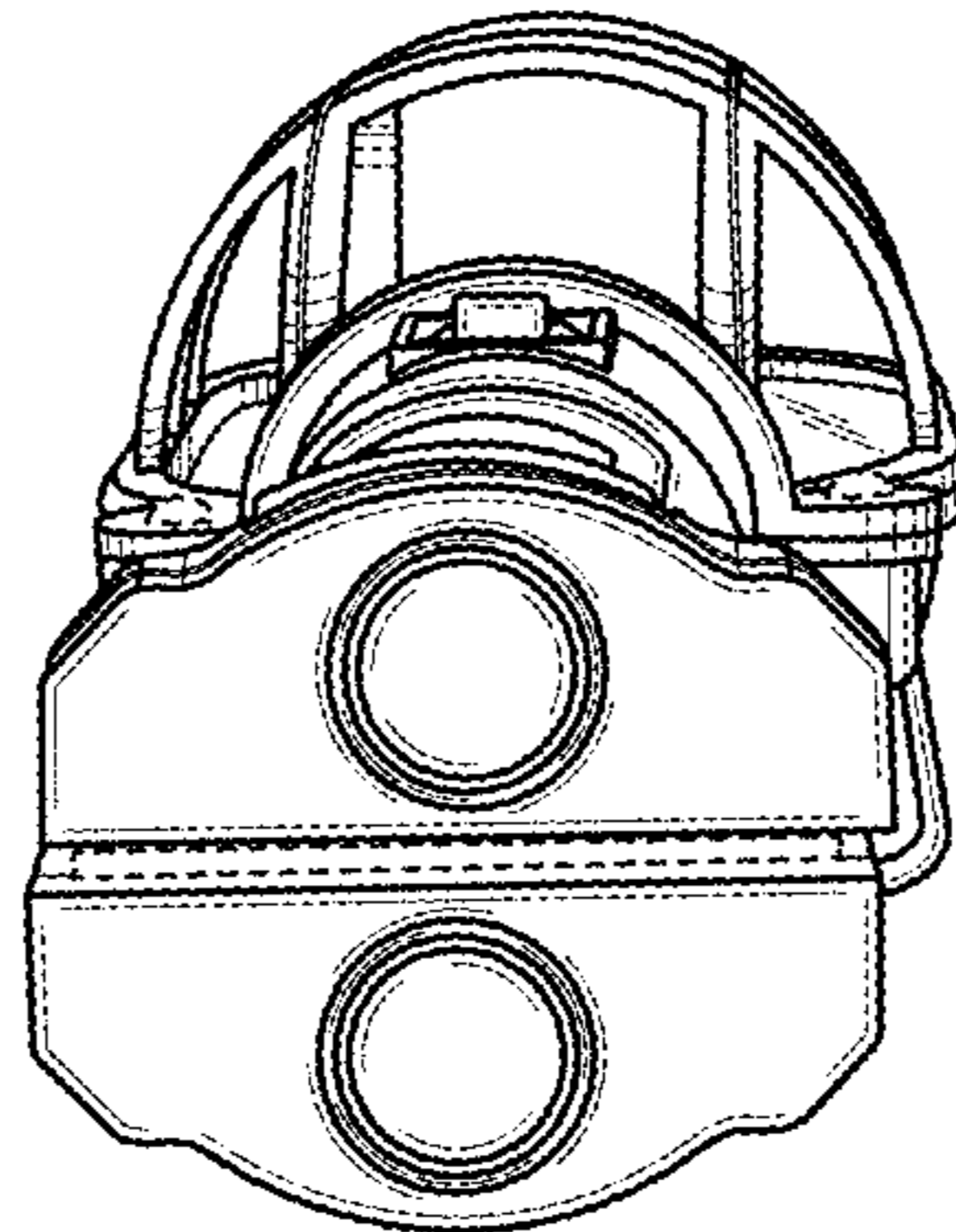


FIG. 7

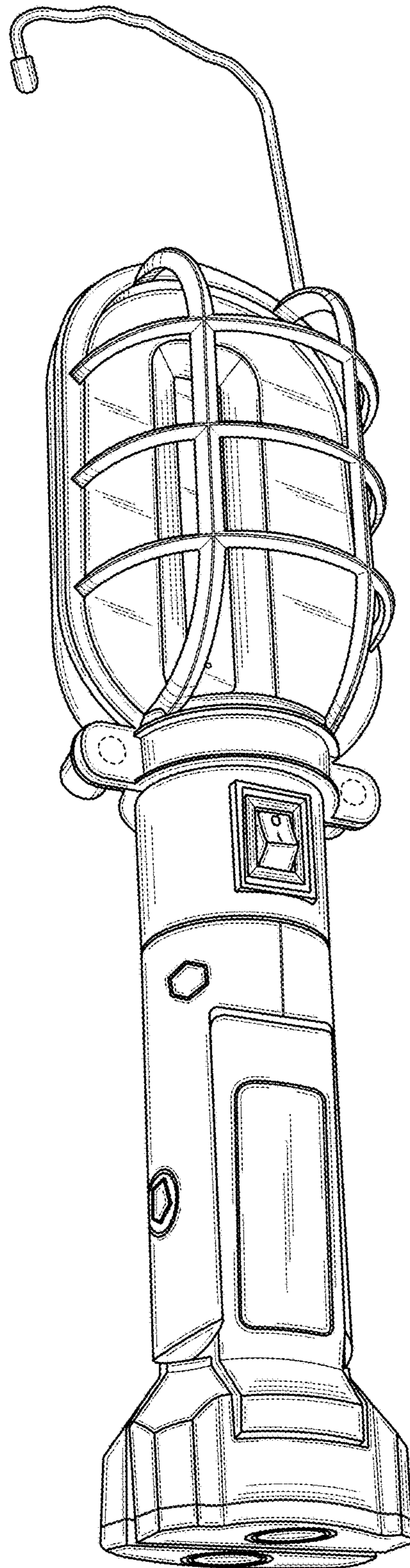


FIG. 8

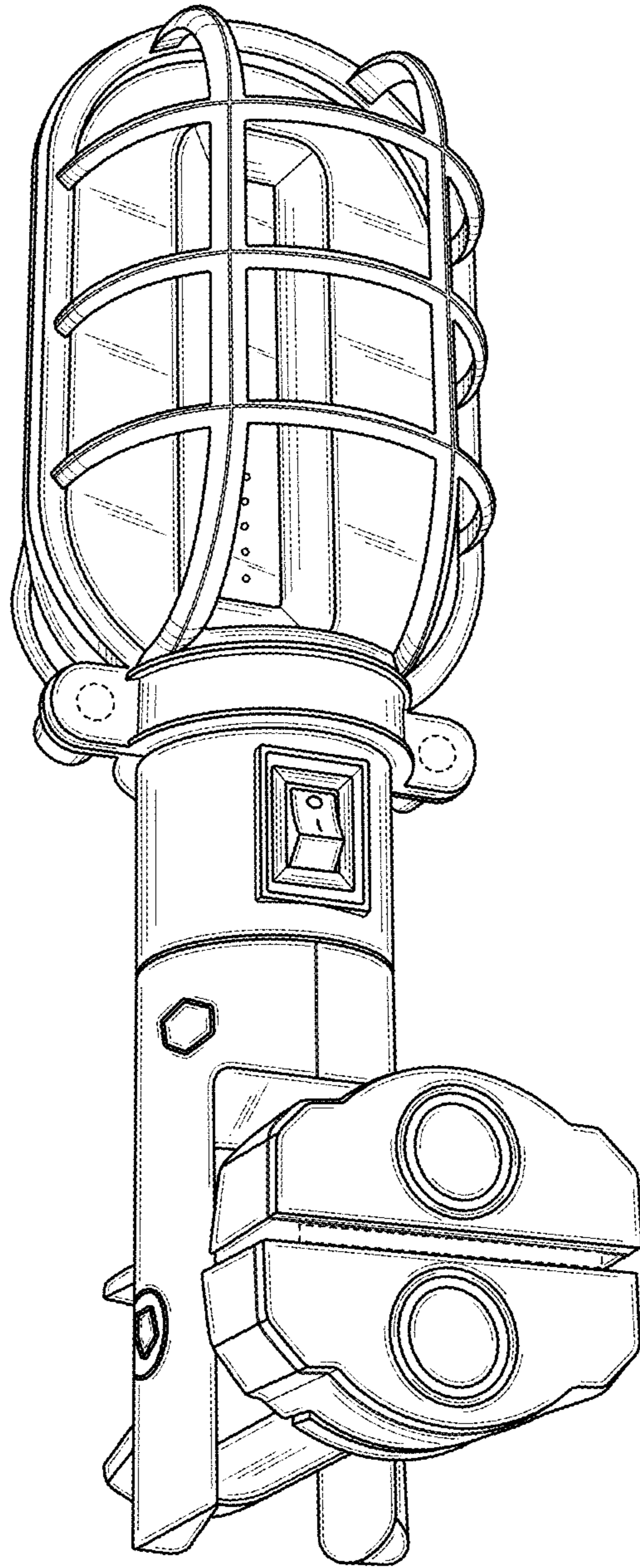


FIG. 9