



US00D858837S

(12) **United States Design Patent**
Vasquez et al.

(10) **Patent No.:** **US D858,837 S**

(45) **Date of Patent:** **** Sep. 3, 2019**

(54) **LED LIGHT WITH CLAMP**

(71) Applicants: **Robert Vasquez**, Gilbert, AZ (US);
Brian Freeland, Chandler, AZ (US)

(72) Inventors: **Robert Vasquez**, Gilbert, AZ (US);
Brian Freeland, Chandler, AZ (US)

(73) Assignee: **SHAWSHANK LEDZ INC.**, Gilbert,
AZ (US)

(**) Term: **15 Years**

(21) Appl. No.: **29/646,835**

(22) Filed: **May 8, 2018**

(51) **LOC (12) Cl.** **26-03**

(52) **U.S. Cl.**
USPC **D26/60; D26/37**

(58) **Field of Classification Search**
USPC D26/1, 24, 37, 40-45, 48-50, 60, 61, 63,
D26/113, 119, 138

CPC F21L 4/00; F21L 4/02; F21L 14/02; F21L
1/00; F21L 14/23; F21V 29/00; F21V
23/04; F21V 21/00; F21V 21/08; F21V
21/40; F21V 21/26; F21S 13/00

See application file for complete search history.

(56) **References Cited**

U.S. PATENT DOCUMENTS

D251,751 S	5/1979	Lawrence	
D271,057 S	10/1983	Tirpik	
D320,463 S	10/1991	Pettersen et al.	
D322,680 S	12/1991	Baggio	
D331,634 S	12/1992	Browne	
D339,425 S	9/1993	Anderson	
D344,150 S	2/1994	Umhauser	
D351,479 S	10/1994	Meyer	
D389,931 S	1/1998	Kovacik et al.	
D397,054 S *	8/1998	Brantley	D10/114.9
D485,364 S *	1/2004	Lee	D24/217
D500,383 S	12/2004	Lin	
D502,276 S *	2/2005	Kovacik	D26/44

(Continued)

OTHER PUBLICATIONS

Voltec 08-00627 8W 500 Lumens COB LED Handheld Work Light, dated Aug. 1, 2016, [online], [site visited Apr. 9, 2019]. Available from Internet, <URL:https://www.amazon.com/Voltec-08-00627-Lumens-Handheld-Light/dp/B01J10BR7M> (Year: 2016).*
3-Pack of LED Work Lights with Magnetic Stands, dated Sep. 24, 2015, [online], [site visited Apr. 9, 2019]. Available from Internet, <URL:https://www.groupon.com/deals/gg-led-work-lights> (Year: 2015).*

(Continued)

Primary Examiner — Angela J Lee

Assistant Examiner — Shawn T Gingrich

(74) *Attorney, Agent, or Firm* — LegalForce RAPC
Worldwide

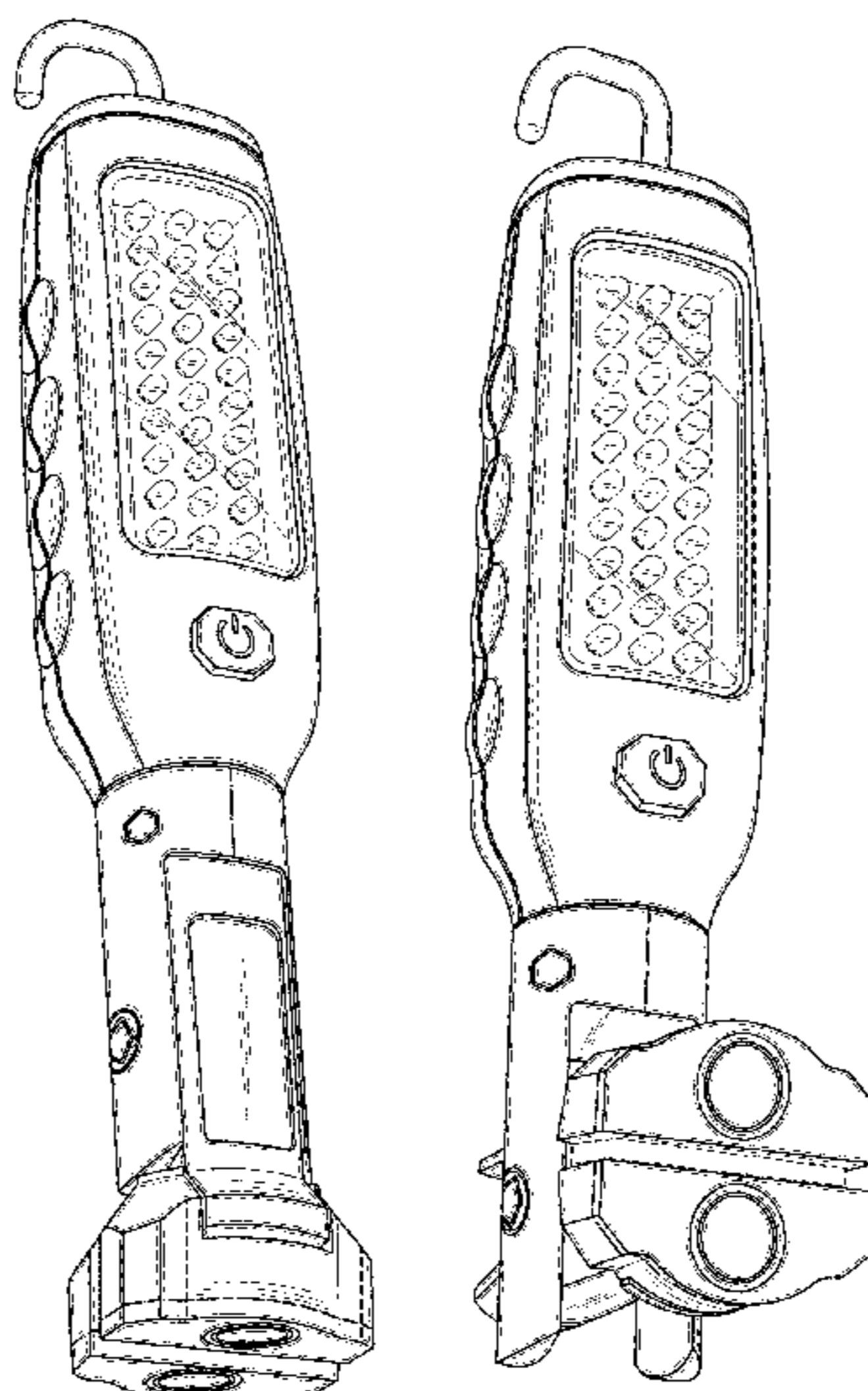
(57) **CLAIM**

The ornamental design for a LED light with clamp, as shown and described.

DESCRIPTION

FIG. 1 is a front bottom left side perspective view for a LED light with clamp, showing our new design with the hook in extended position and clamp in non-rotated position; FIG. 2 is a front elevational view of FIG. 1 thereof; FIG. 3 is a rear elevational view of FIG. 1 thereof; FIG. 4 is a left side elevational view of FIG. 1 thereof; FIG. 5 is a right side elevational view of FIG. 1 thereof; FIG. 6 is a top perspective view of FIG. 1 thereof; FIG. 7 is a bottom perspective view of FIG. 1 thereof; FIG. 8 is a front bottom left side perspective view of FIG. 1 thereof, showing the hook in folded position and clamp in non-rotated position; and, FIG. 9 is a front bottom left side perspective view of FIG. 1 thereof, showing the hook in extended position and clamp rotated to the front position. The broken lines indicate portions of the design that form no part of the claimed design.

1 Claim, 9 Drawing Sheets



(56)

References Cited

U.S. PATENT DOCUMENTS

D538,457 S * 3/2007 Kovacik D26/42
 D543,301 S * 5/2007 Chen D26/42
 D548,382 S * 8/2007 Akerberg D26/42
 D556,926 S 12/2007 Thirouin et al.
 D590,529 S 4/2009 Jiang
 D626,673 S * 11/2010 Kovacik D26/38
 D631,178 S * 1/2011 Kovacik D26/38
 D648,054 S 11/2011 Zhuang et al.
 D703,356 S * 4/2014 Grandadam D26/44
 D704,873 S * 5/2014 Cha D26/44
 D737,488 S * 8/2015 Chen D26/42
 D742,568 S * 11/2015 Abernethy D26/42
 D750,303 S 2/2016 Levy et al.
 D757,971 S 5/2016 Kovacik et al.
 D757,973 S * 5/2016 Zhang D26/44
 D768,321 S 10/2016 Inskeep
 D794,234 S 8/2017 Levy et al.
 D794,236 S * 8/2017 Kovacik D26/42
 D799,096 S * 10/2017 Bao D26/65
 D810,335 S 2/2018 Levy et al.
 D818,166 S * 5/2018 Bao D26/44
 2006/0109662 A1 * 5/2006 Reiff F21L 4/04
 362/373
 2006/0262526 A1 * 11/2006 Dubois F21L 4/027
 362/184
 2008/0304254 A1 * 12/2008 Canino F21L 4/04
 362/183
 2017/0370536 A1 * 12/2017 Berends F21L 4/02

OTHER PUBLICATIONS

US Trademark Serial No. 85424721; Mark—Magic Seasons Filing date: Sep. 16, 2011.
 US Trademark Serial No. 85424691; Mark—Blazing LEDZ Filing date: Sep. 16, 2011 Publication date: Mar. 6, 2012.
 US Trademark Serial No. 85425045; Mark—Blacklight Master Filing date: Sep. 16, 2011 Publication date: Sep. 4, 2012.
 US Trademark Serial No. 87561976; Mark—Shawshank LEDZ Filing date: Aug. 9, 2017 Publication date: Dec. 12, 2017.
 US Trademark Serial No. 85243364; Mark—Scorpion Master Filing date: Feb. 16, 2011 Publication date: Jun. 28, 2011.
 “Portable Hanging Worklight Hang From Hook or Attach with Magnet”, by Shawshank LEDz, Found Online on [Jul. 18, 2018] https://images-na.ssl-images-amazon.com/images/I/61EPmTjGqfL._SL1497_.jpg.
 “702464 COB 3W Triangle Swivel Work Light”, by Shawshank LEDz, Found Online on [Jul. 18, 2018] https://images-na.ssl-images-amazon.com/images/I/81rY5UFy5gL._SL1500_.jpg.
 “Mini Cob Magnetic & Hook Troublelight Flashlight”, by Blazing LEDz, Found Online on [Jul. 18, 2018] https://images.homedepot-static.com/productImages/bb034dbb-a446-4ceb-852f-275fedc83btc/svn/multi-blazing-ledz-flashlights-702465-64_1000.jpg.
 “Corded Hand-Held Work Light With Magnet Holder”, by Power Phase, Found Online on [Jul. 18, 2018] <https://img2.fastenal.com/productimages/0762603.jpg>.
 “24-LED Trouble Light”, by Woods, Found Online on [Jul. 18, 2018] <https://www.strategicmerch.com/assets/image/Product/detailsbig/11198wc.jpg>.

* cited by examiner

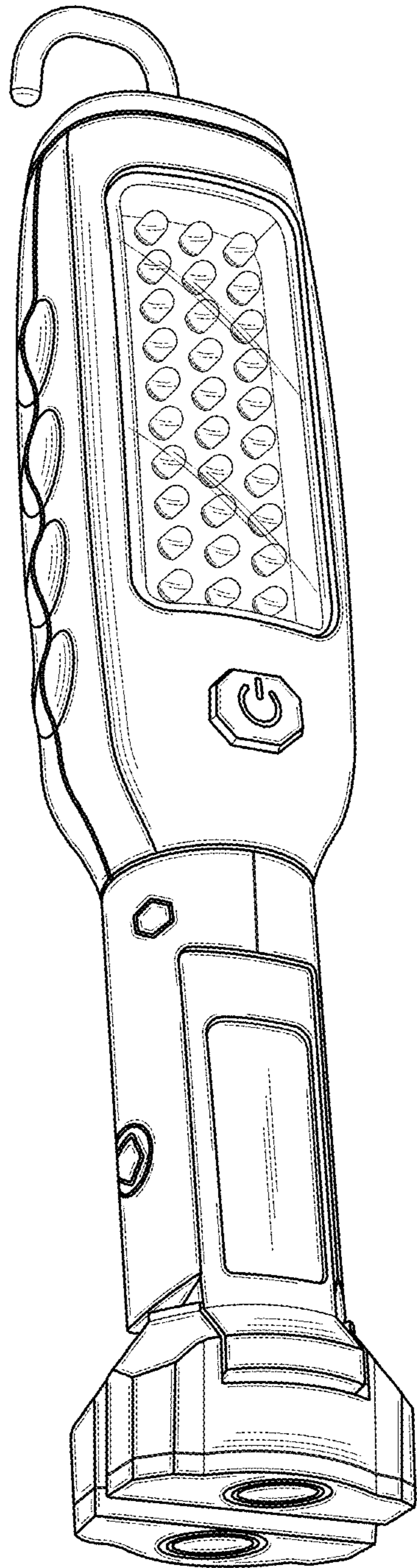


FIG. 1

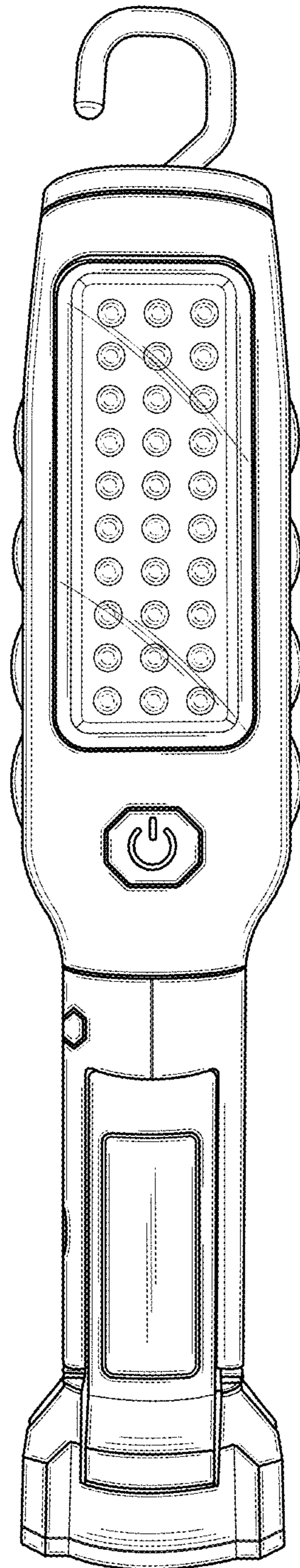


FIG. 2

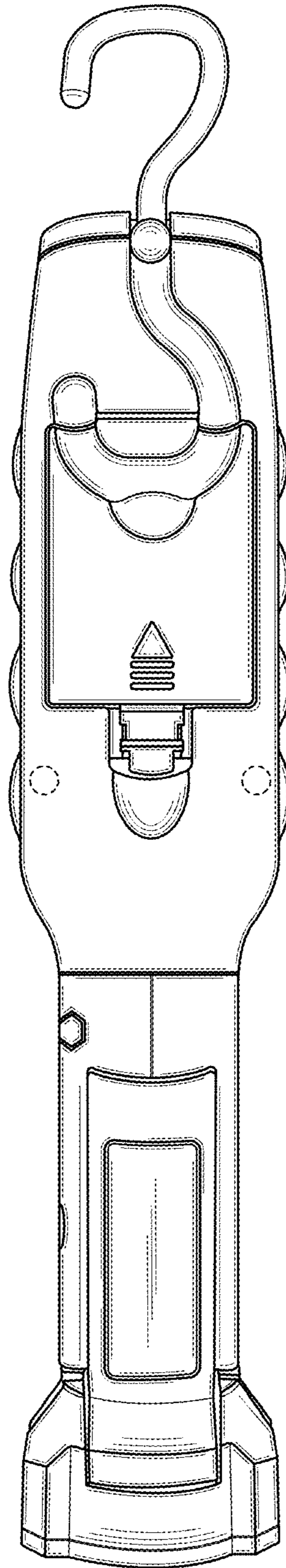


FIG. 3

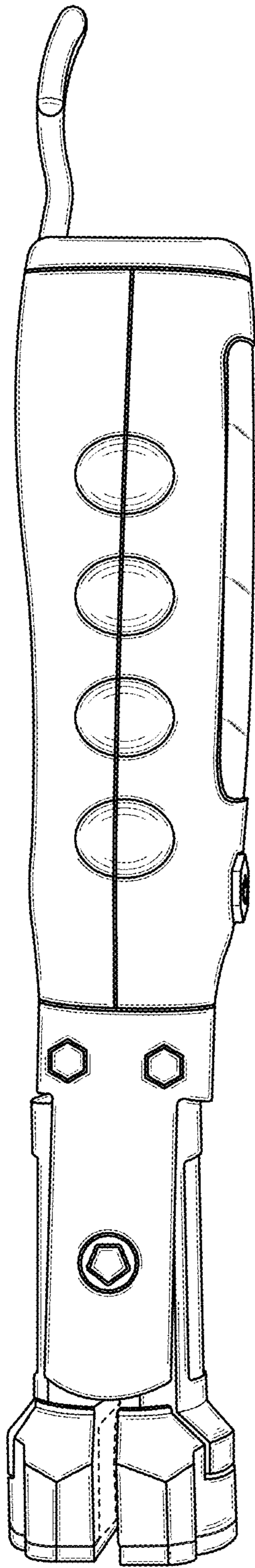


FIG. 4

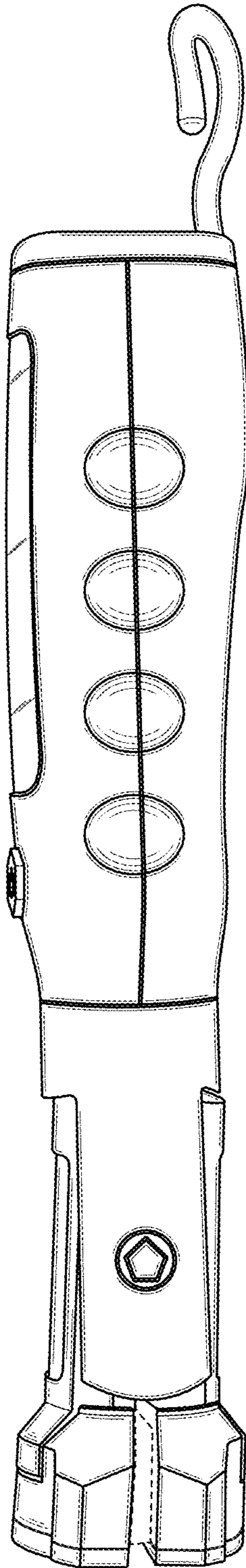


FIG. 5



FIG. 6

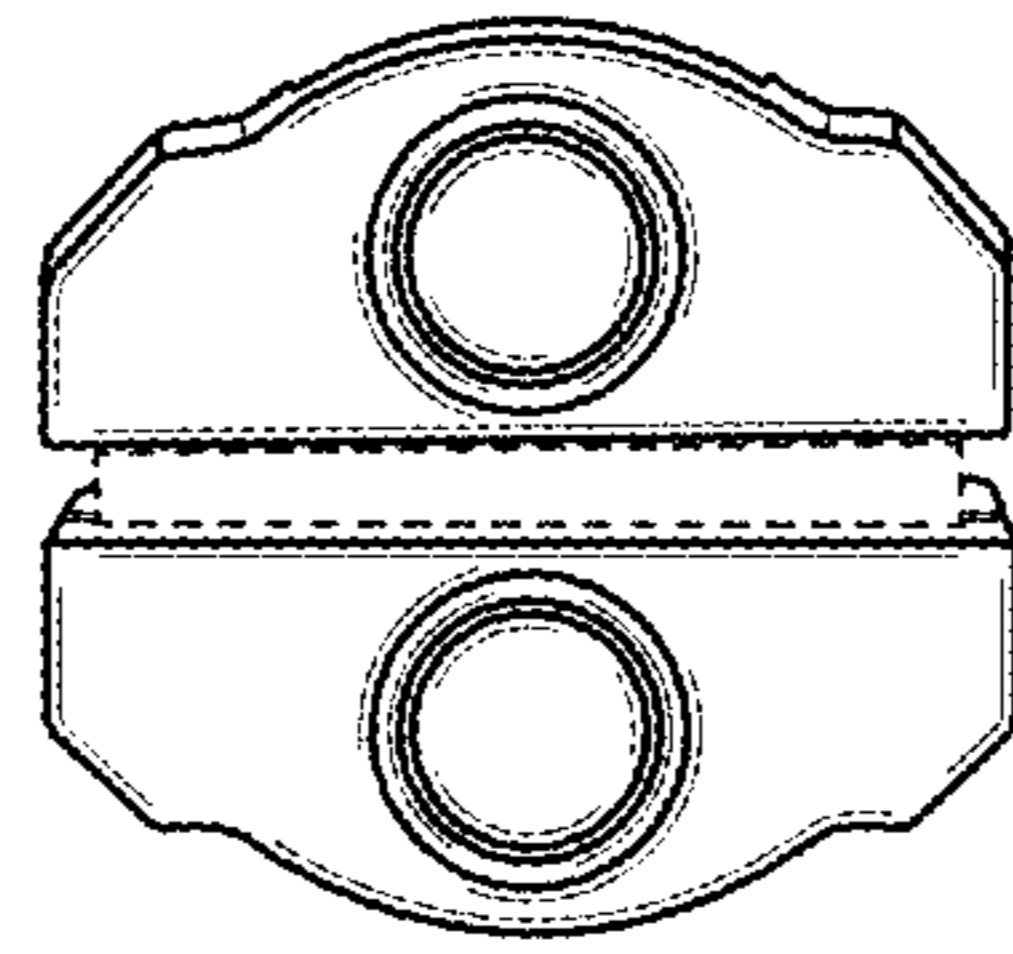


FIG. 7

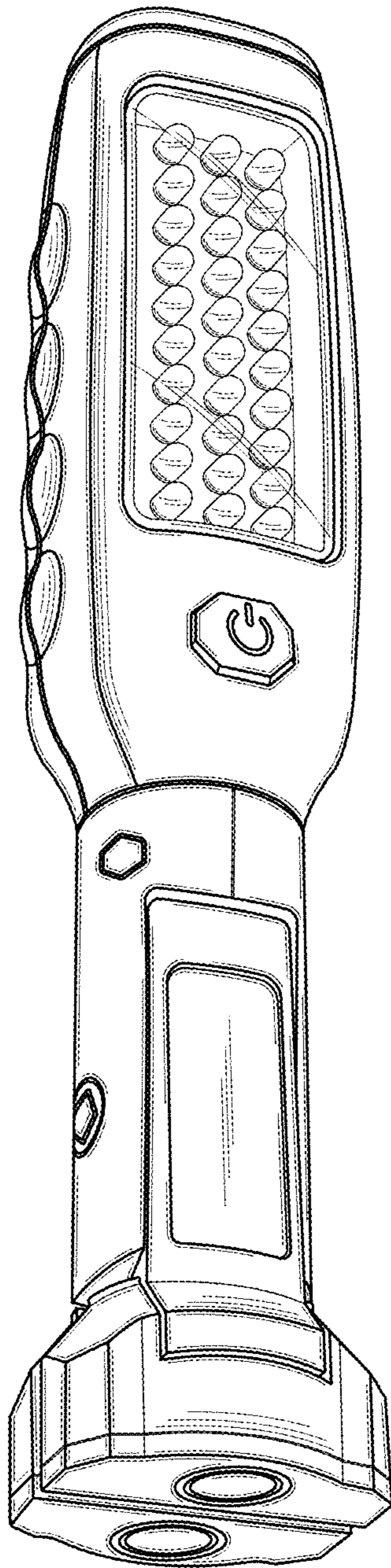


FIG. 8

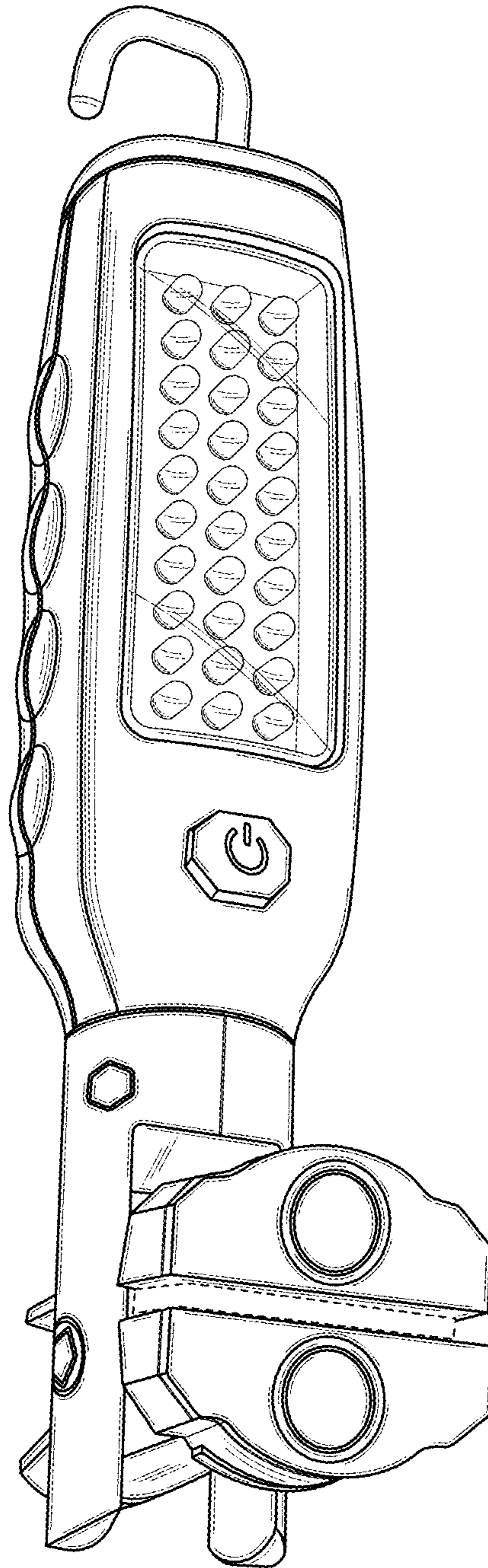


FIG. 9