



US00D858835S

(12) **United States Design Patent** (10) **Patent No.:** **US D858,835 S**  
**Xiao** (45) **Date of Patent:** **\*\* Sep. 3, 2019**

(54) **DESK LAMP WITH CALENDAR DISPLAY**

(71) Applicant: **Gang Xiao**, Shenzhen (CN)

(72) Inventor: **Gang Xiao**, Shenzhen (CN)

(\*\*) Term: **15 Years**

(21) Appl. No.: **29/595,874**

(22) Filed: **Mar. 2, 2017**

(30) **Foreign Application Priority Data**

Sep. 19, 2016 (CN) ..... 2016 3 0473566

(51) **LOC (12) Cl.** ..... **26-05**

(52) **U.S. Cl.**  
USPC ..... **D26/51**; D26/93

(58) **Field of Classification Search**  
USPC ..... D26/37-51, 58, 93  
CPC ..... F21L 2003/00; F21L 4/00; F21L 4/005;  
F21L 4/02; F21L 4/025; F21L 4/027;  
F21L 4/04; F21L 4/08; F21L 2005/00;  
F21L 7/00; F21L 11/00; F21L 13/00;  
F21L 13/04; F21L 13/08; F21L 14/02;  
F21L 17/00; F21L 19/00; F21L 25/00

See application file for complete search history.

(56) **References Cited**

**U.S. PATENT DOCUMENTS**

D382,362 S \* 8/1997 Huang ..... D26/65  
D568,520 S \* 5/2008 Castellucci ..... D26/65  
D580,578 S \* 11/2008 Chien ..... D26/63  
D599,929 S \* 9/2009 Huang ..... D26/63  
D604,883 S \* 11/2009 Park ..... D26/65  
D608,047 S \* 1/2010 Scheper ..... D26/138  
D617,932 S \* 6/2010 Chan ..... D26/63

D618,844 S \* 6/2010 Huang ..... D26/93  
D628,331 S \* 11/2010 Tang ..... D26/63  
D639,491 S \* 6/2011 Chen ..... D26/93  
D641,916 S \* 7/2011 Witsch ..... D26/61  
D651,734 S \* 1/2012 Li ..... D26/63  
D654,199 S \* 2/2012 Xie ..... D26/63  
D673,715 S \* 1/2013 Huang ..... D26/93  
D681,865 S \* 5/2013 Lee ..... D26/93  
D753,861 S \* 4/2016 Yong Joon ..... D26/63  
D758,631 S \* 6/2016 Cai ..... D26/63  
D759,282 S \* 6/2016 Lee ..... D26/65  
D769,512 S \* 10/2016 Edgar ..... D26/107  
D803,450 S \* 11/2017 Xie ..... D26/63  
D804,072 S \* 11/2017 Xu ..... D26/63  
D804,697 S \* 12/2017 Tang ..... D26/63  
D809,187 S \* 1/2018 Dai ..... D26/107  
D822,265 S \* 7/2018 Tong ..... D26/107

\* cited by examiner

*Primary Examiner* — Lakiya G Rogers

*Assistant Examiner* — Carissa C Fitts

(74) *Attorney, Agent, or Firm* — Gokalp Bayramoglu

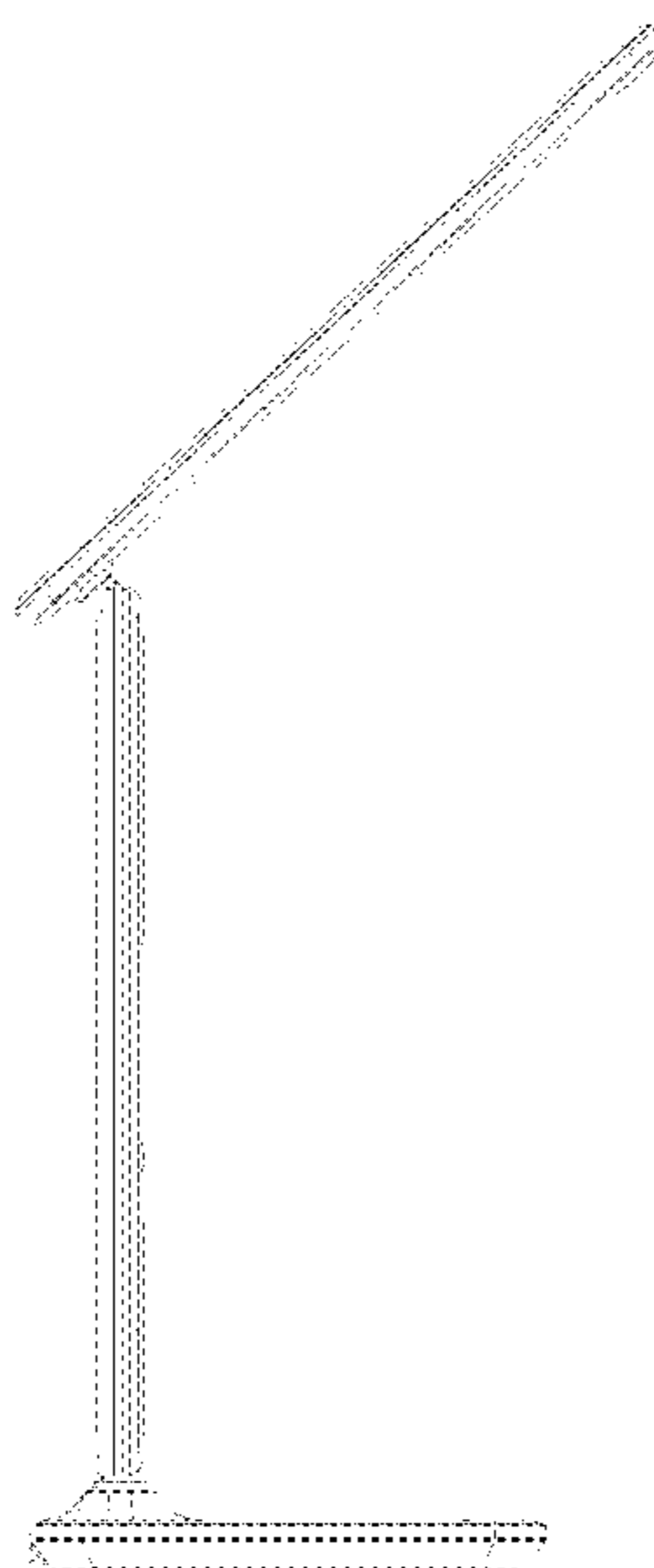
(57) **CLAIM**

The ornamental design for a desk lamp with calendar display, as shown and described.

**DESCRIPTION**

FIG. 1 is a front view of a desk lamp with calendar display showing my new design;  
FIG. 2 is a rear view thereof;  
FIG. 3 is a left side view thereof;  
FIG. 4 is a right side view thereof;  
FIG. 5 is an enlarged top view thereof; and,  
FIG. 6 is an enlarged bottom view thereof.  
The broken lines show portions of a desk lamp with calendar display which form no part of the claimed design.

**1 Claim, 6 Drawing Sheets**



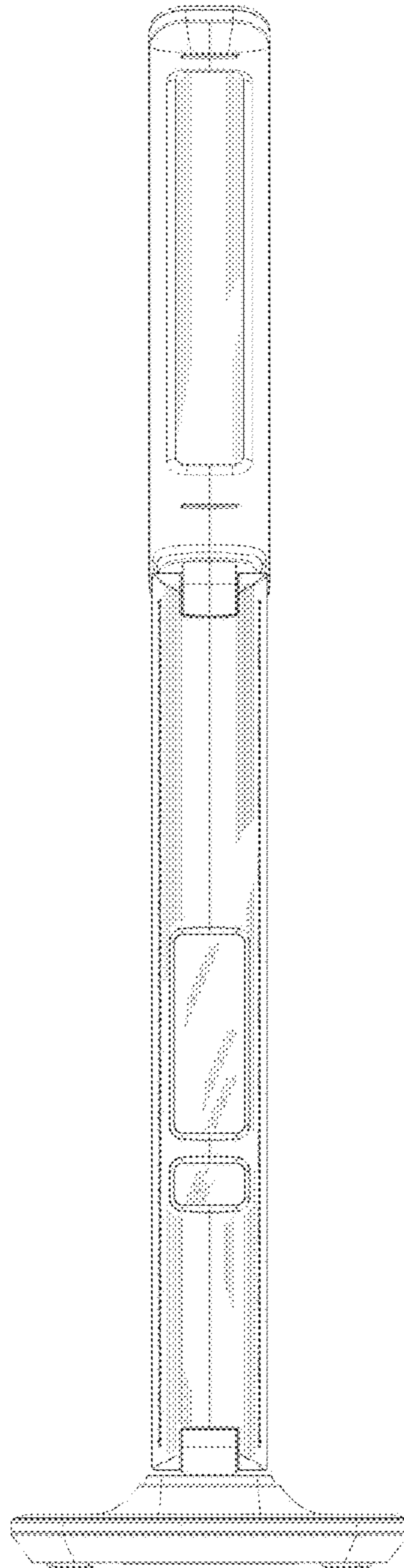


FIG. 1

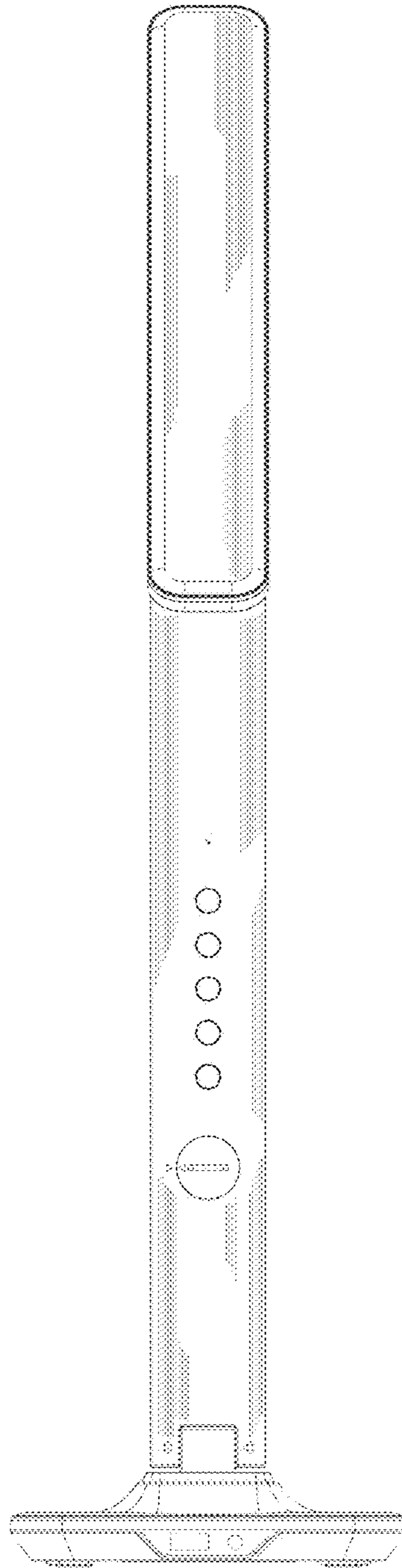


FIG. 2

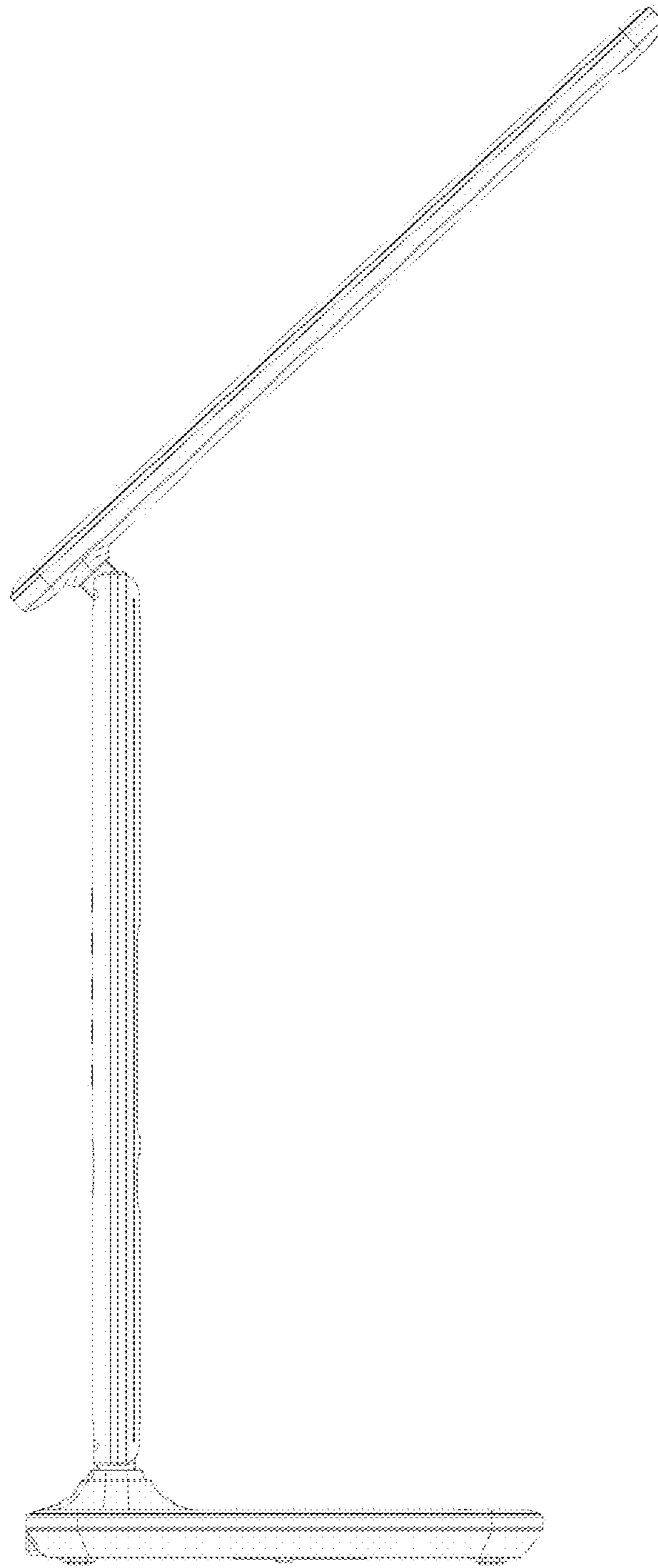


FIG. 3

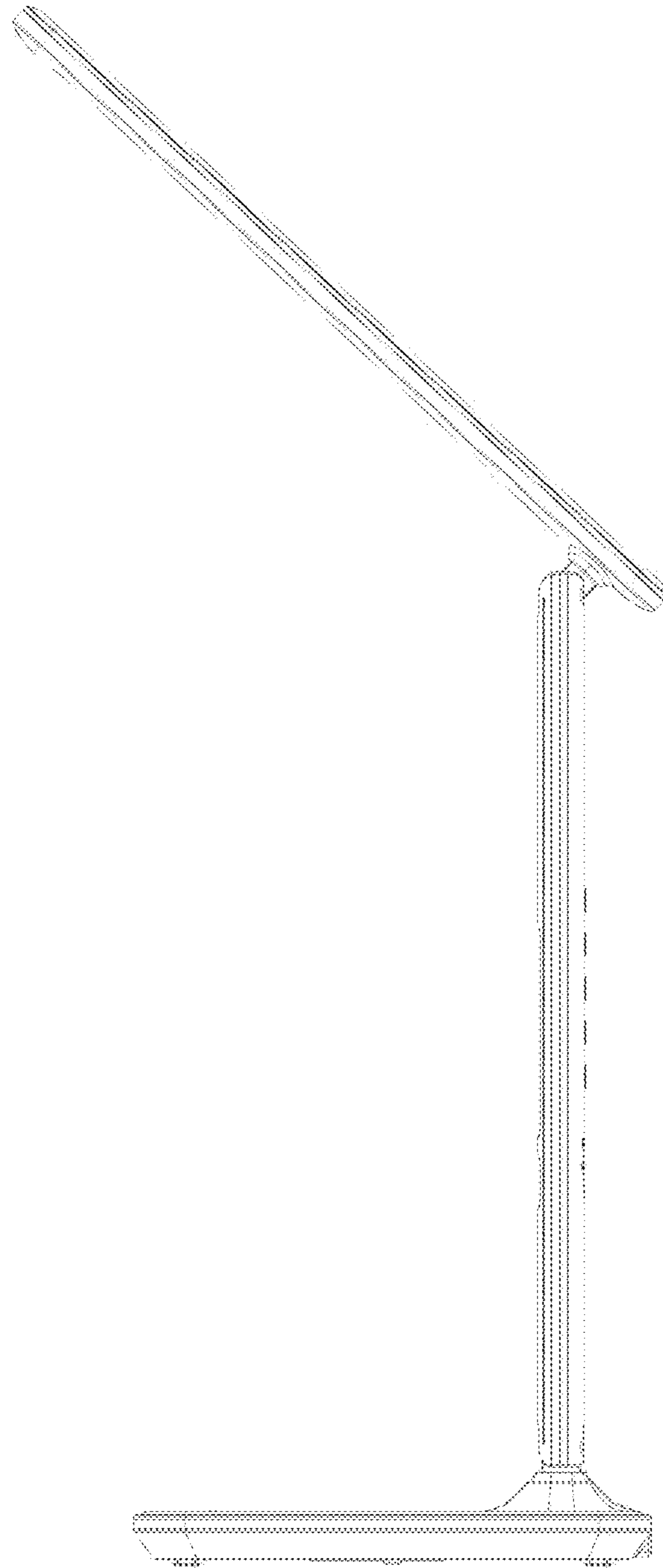


FIG. 4

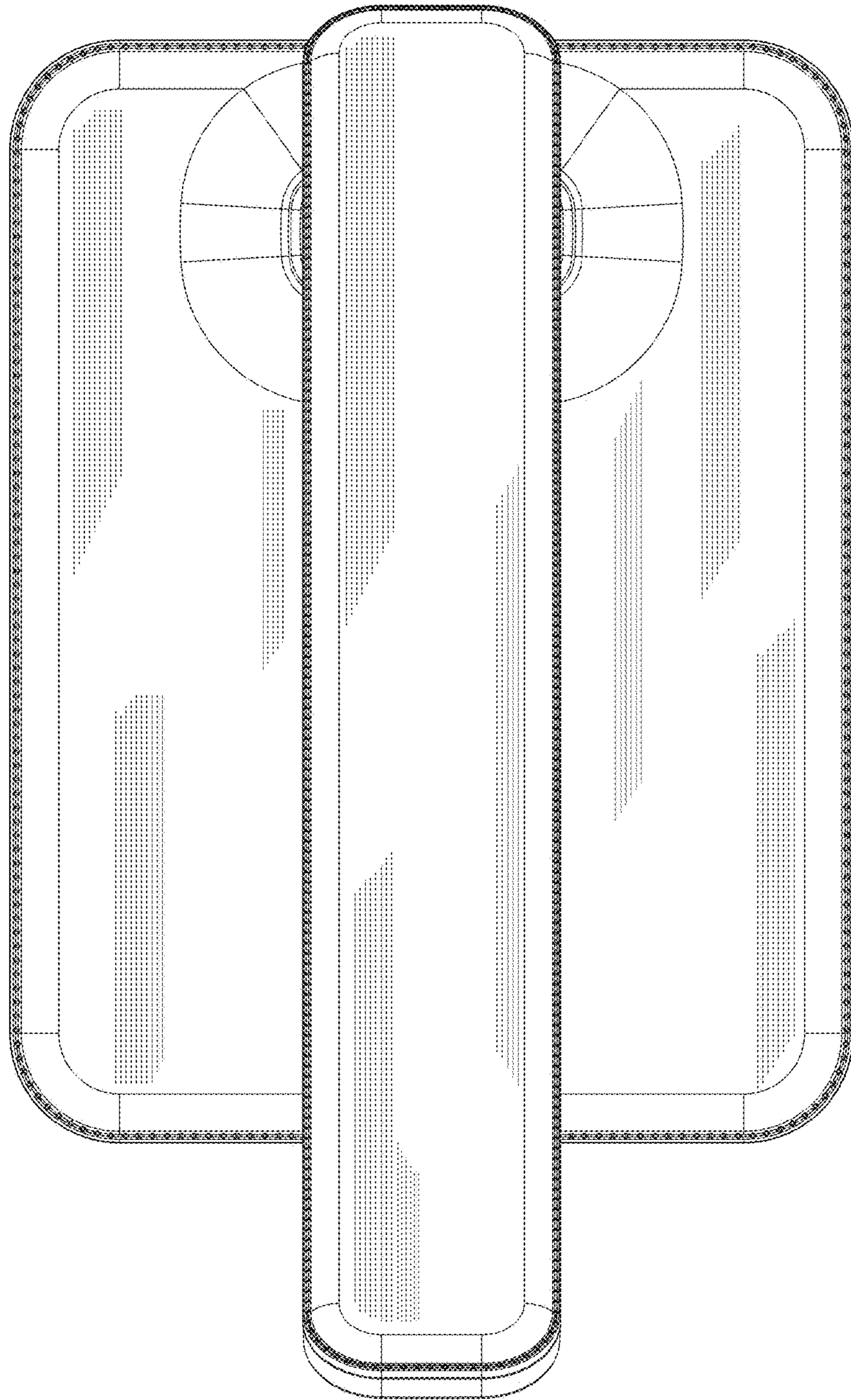


FIG. 5

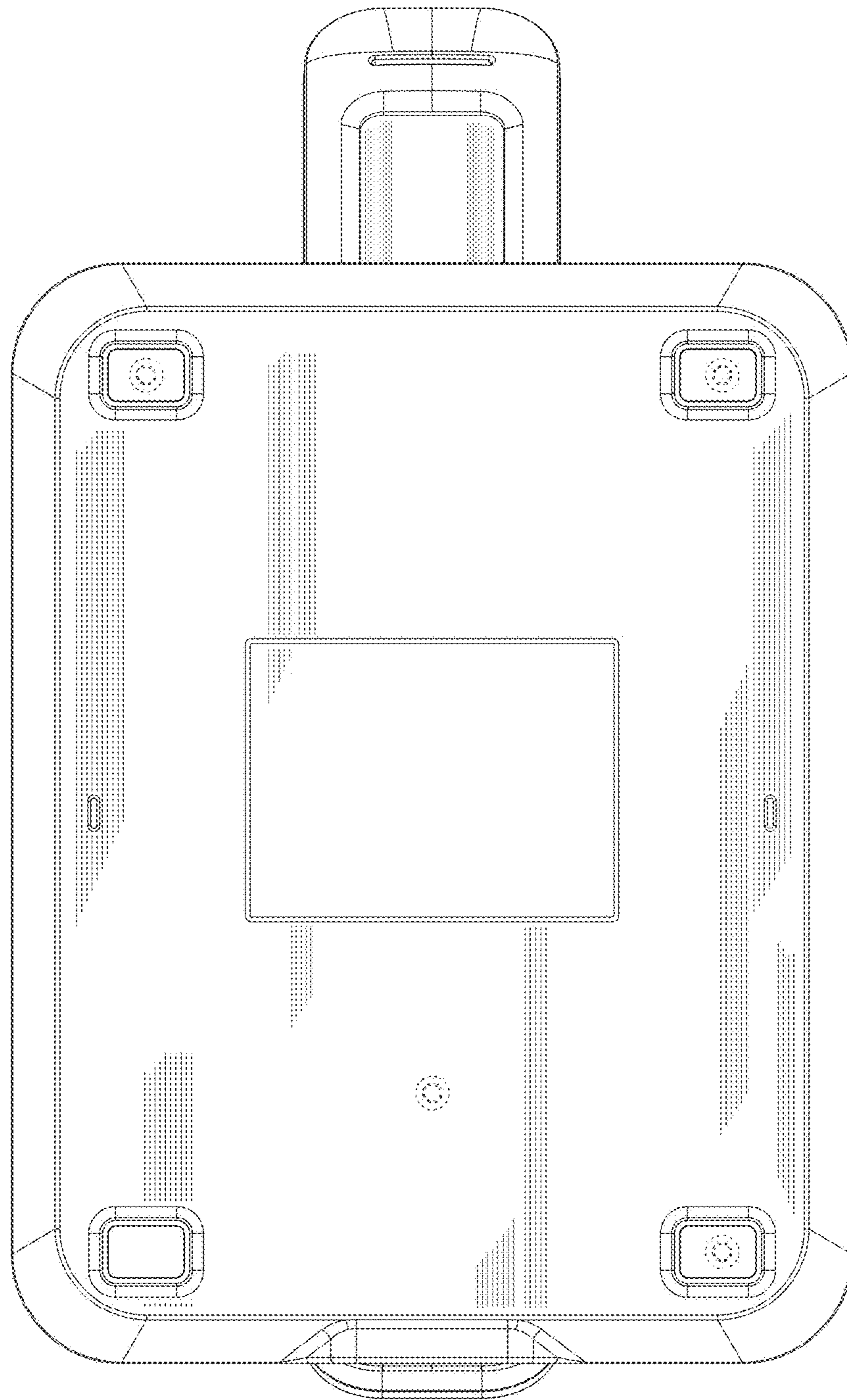


FIG. 6