



US00D858834S

(12) **United States Design Patent**
Huang

(10) **Patent No.:** **US D858,834 S**

(45) **Date of Patent:** **** Sep. 3, 2019**

(54) **LIGHTING DEVICE**

(71) Applicant: **Yu-Ting Huang**, Taichung (TW)

(72) Inventor: **Yu-Ting Huang**, Taichung (TW)

(**) Term: **15 Years**

(21) Appl. No.: **29/594,774**

(22) Filed: **Feb. 22, 2017**

(51) **LOC (12) Cl.** **26-02**

(52) **U.S. Cl.**
USPC **D26/49**

(58) **Field of Classification Search**
USPC D26/37-51
CPC F21L 2003/00; F21L 4/00; F21L 4/005;
F21L 4/02; F21L 4/025; F21L 4/027;
F21L 4/04; F21L 4/08; F21L 2005/00;
F21L 7/00; F21L 11/00; F21L 13/00;
F21L 13/04; F21L 13/08; F21L 14/02;
F21L 17/00; F21L 19/00; F21L 25/00
See application file for complete search history.

(56) **References Cited**

U.S. PATENT DOCUMENTS

D599,928 S	*	9/2009	Shiu	D26/49
D647,232 S	*	10/2011	Liu	D26/49
D647,654 S	*	10/2011	Li	D26/49
D688,402 S	*	8/2013	Roshak	D26/49
D698,961 S	*	2/2014	Dalton	D26/49
D706,897 S	*	6/2014	Sheikh	D22/117
D710,526 S	*	8/2014	Lee	D26/49
D716,984 S	*	11/2014	Inskeep	D26/49
D719,694 S	*	12/2014	Nawaz	D22/117
D724,247 S	*	3/2015	Chouprinov	D22/117
D747,020 S	*	1/2016	Chouprinov	D22/117
D785,842 S	*	5/2017	Huang	D26/49

* cited by examiner

Primary Examiner — Lakiya G Rogers

Assistant Examiner — Carissa C Fitts

(74) *Attorney, Agent, or Firm* — WPAT, PC

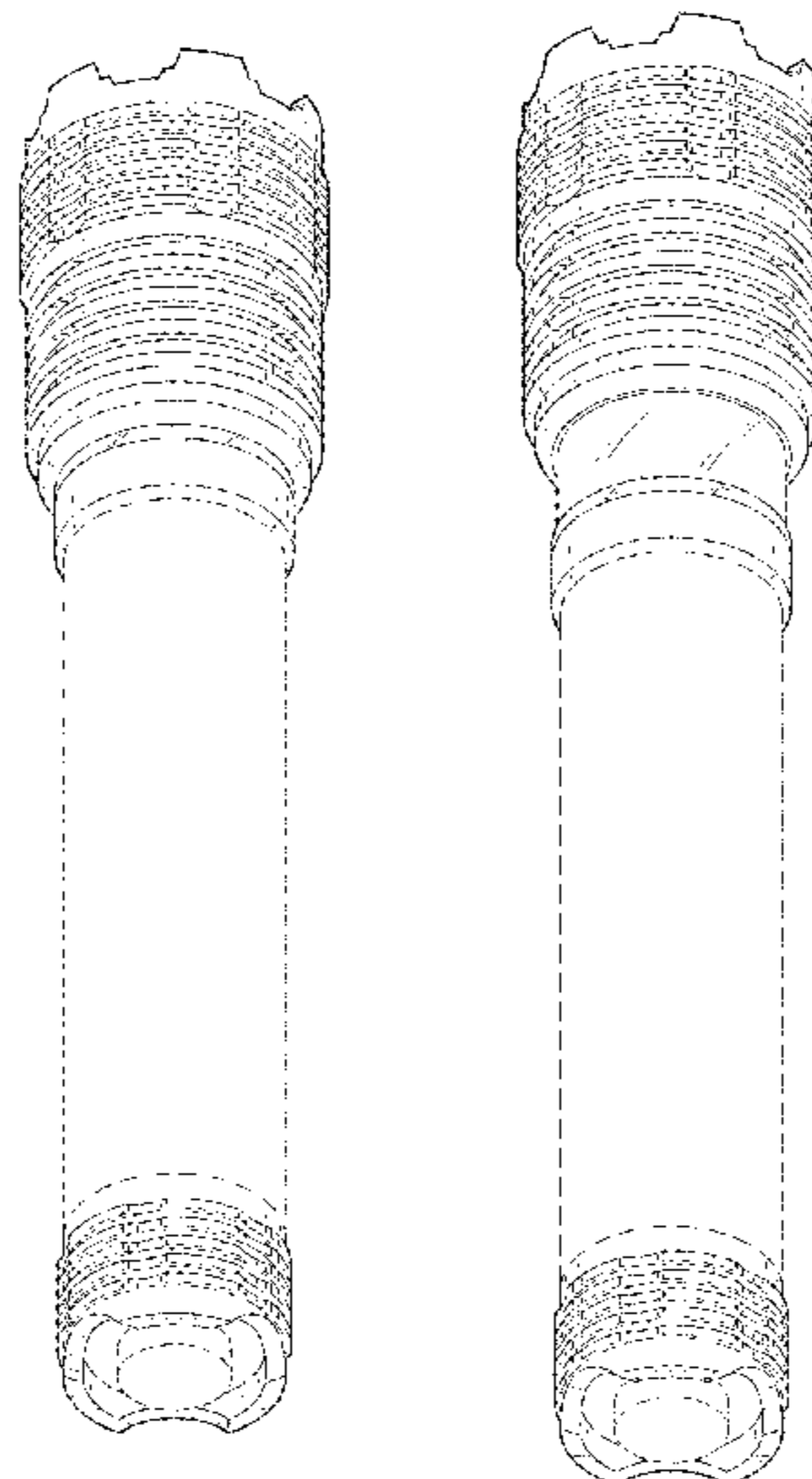
(57) **CLAIM**

The ornamental design for a lighting device, as shown and described.

DESCRIPTION

FIG. 1 is a perspective view of a lighting device showing my new design;
 FIG. 2 is a front elevational view thereof;
 FIG. 3 is a rear elevational view thereof;
 FIG. 4 is a left side elevational view thereof;
 FIG. 5 is a right side elevational view thereof;
 FIG. 6 is a top plan view thereof;
 FIG. 7 is a bottom plan view thereof;
 FIG. 8 is another perspective view thereof;
 FIG. 9 is a perspective view of the lighting device in an extended position;
 FIG. 10 is a front elevational view of the lighting device in an extended position;
 FIG. 11 is a rear elevational view of the lighting device in an extended position;
 FIG. 12 is a left side elevational view of the lighting device in an extended position;
 FIG. 13 is a right side elevational view of the lighting device in an extended position;
 FIG. 14 is a top plan view of the lighting device in an extended position;
 FIG. 15 is a bottom plan view of the lighting device in an extended position; and,
 FIG. 16 is another perspective view of the lighting device in an extended position.
 The broken lines shown represent unclaimed subject matter and form no part of the claimed design.

1 Claim, 14 Drawing Sheets



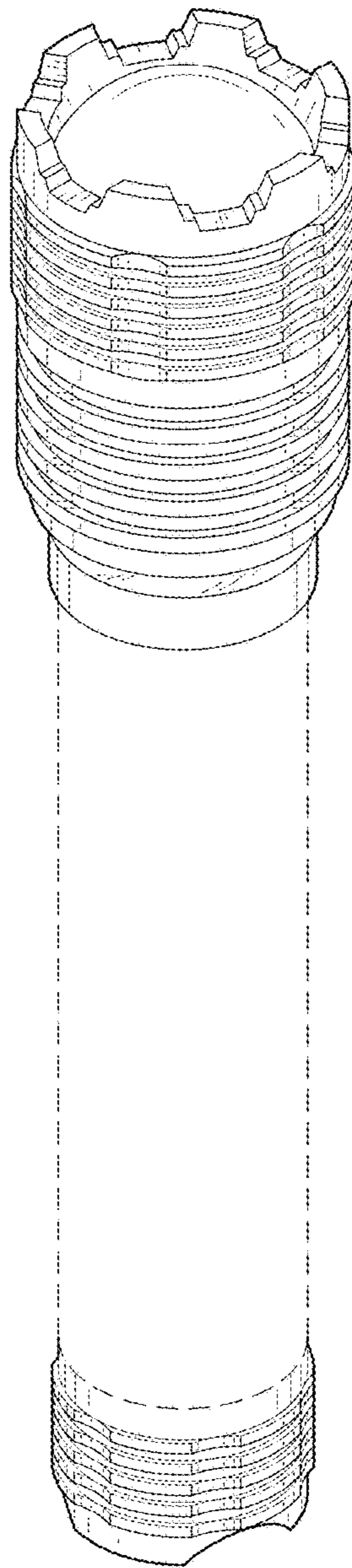


FIG. 1

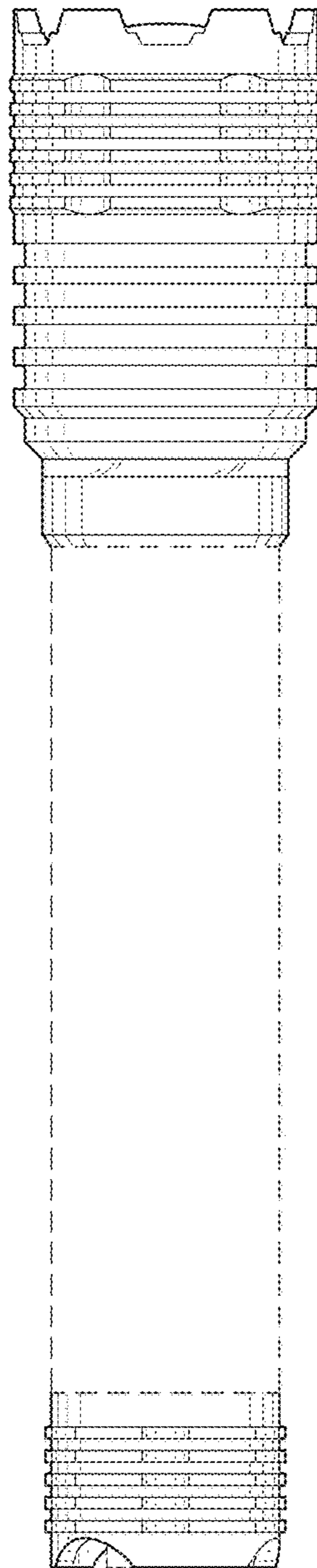


FIG. 2

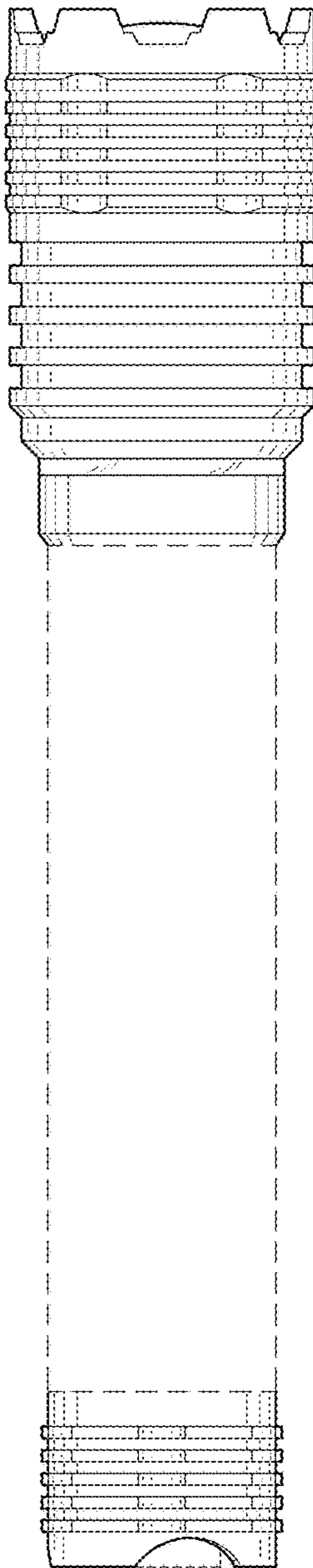


FIG. 3

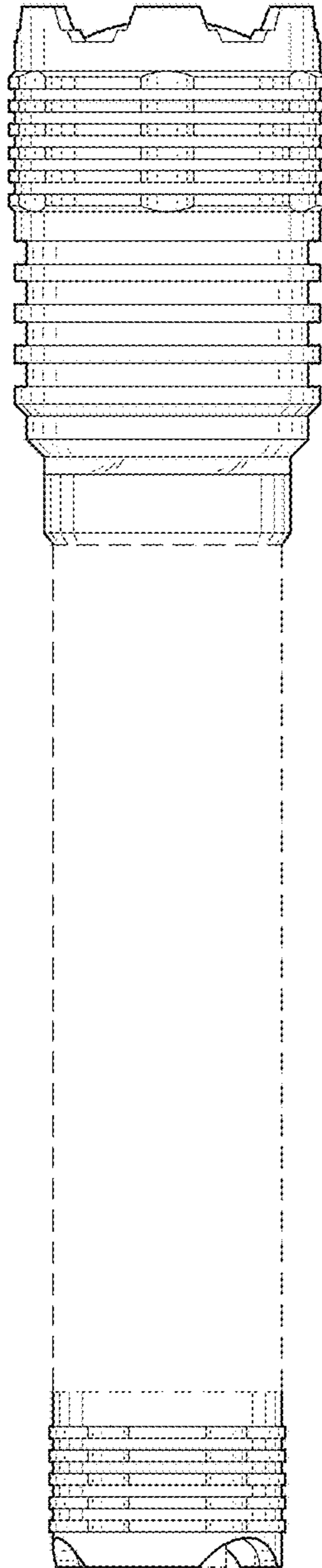


FIG. 4

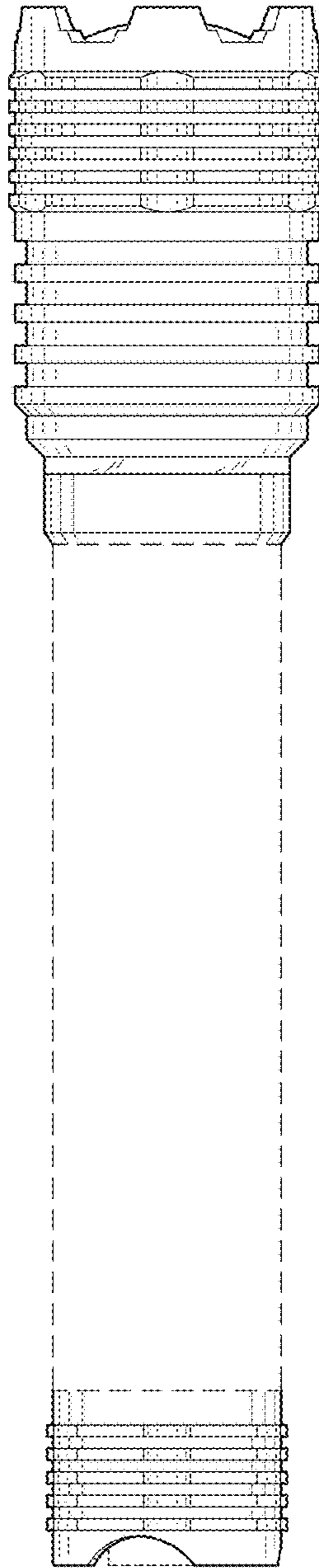


FIG. 5

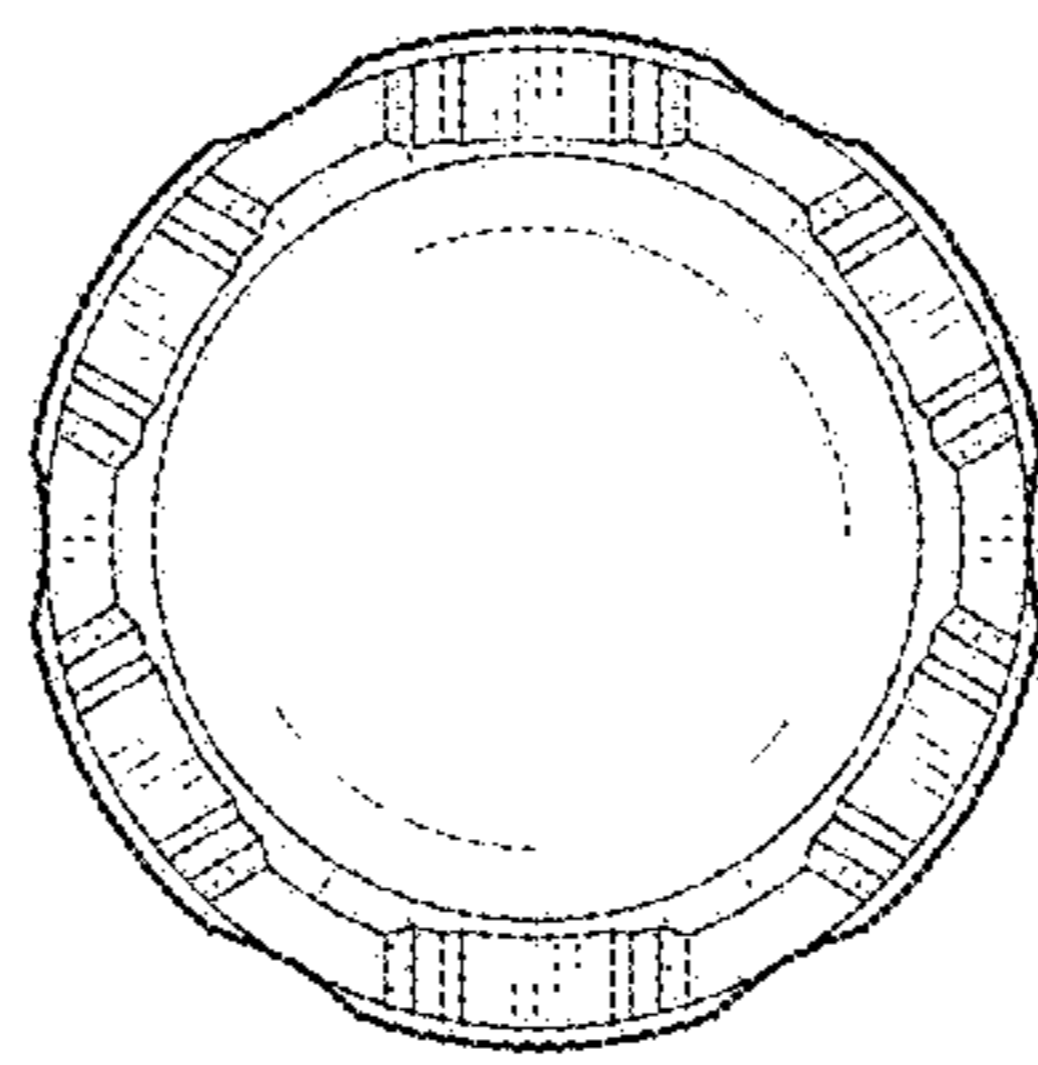


FIG. 6

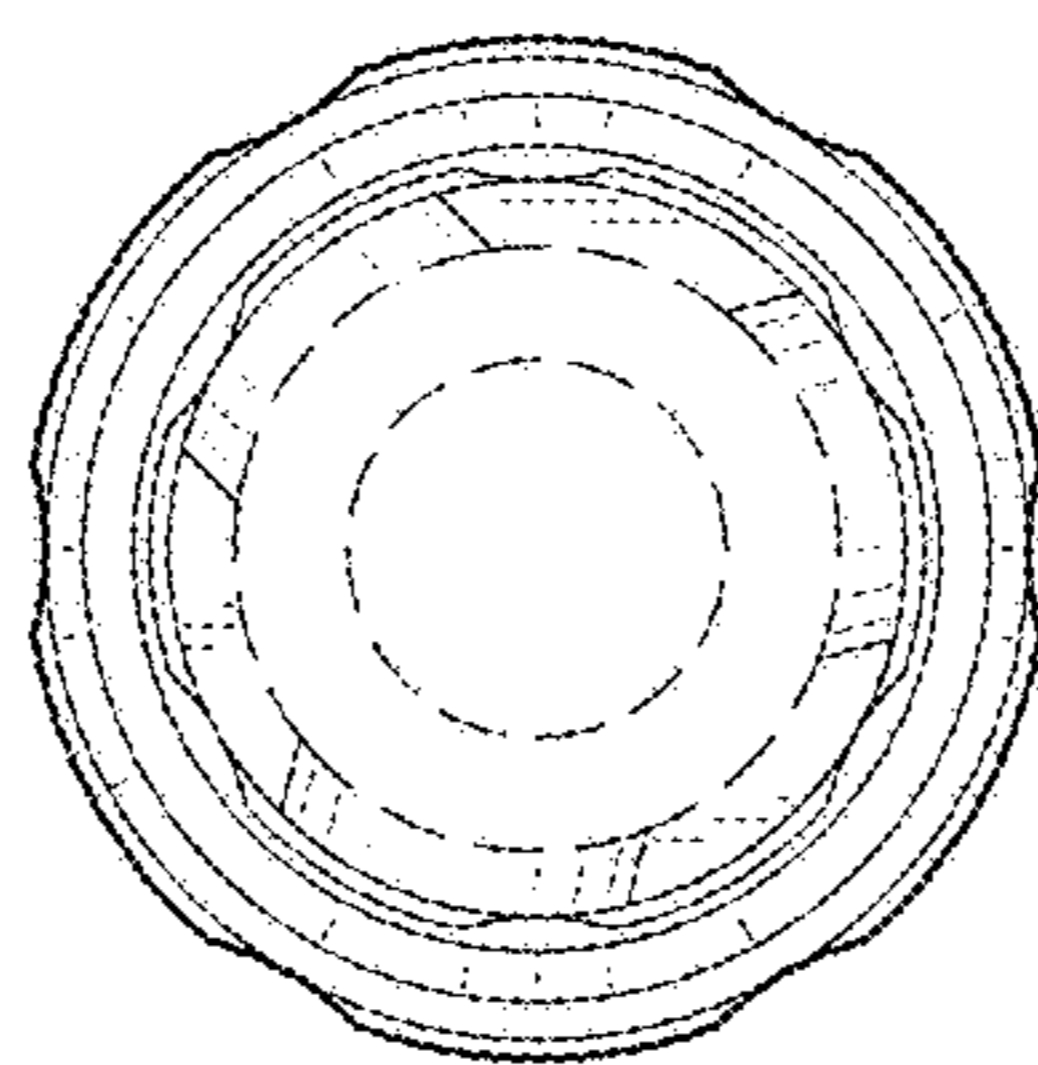


FIG. 7

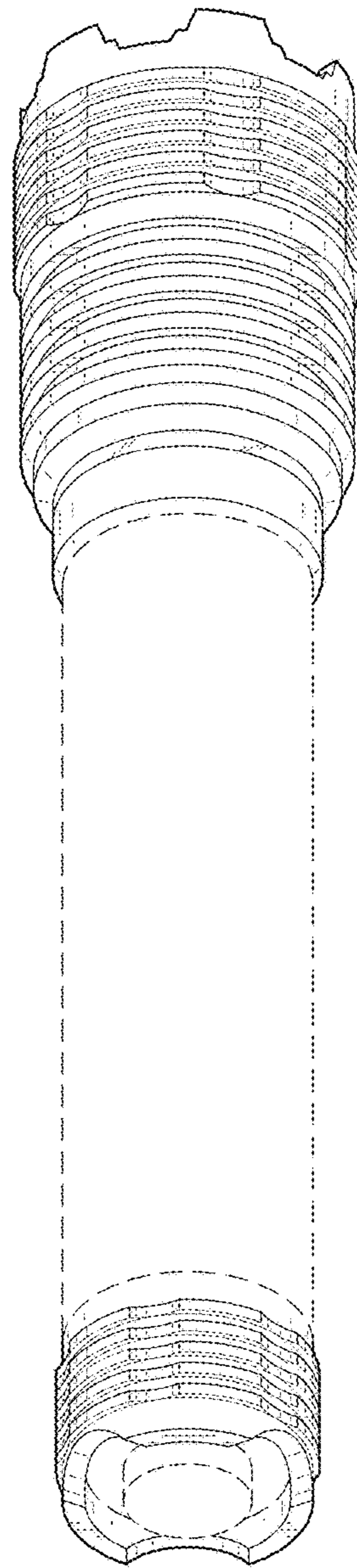


FIG. 8

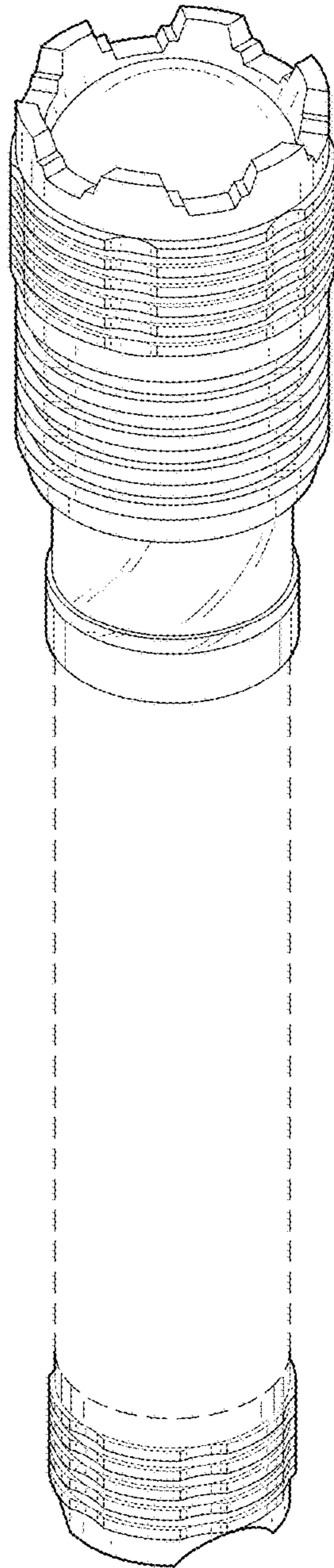


FIG. 9

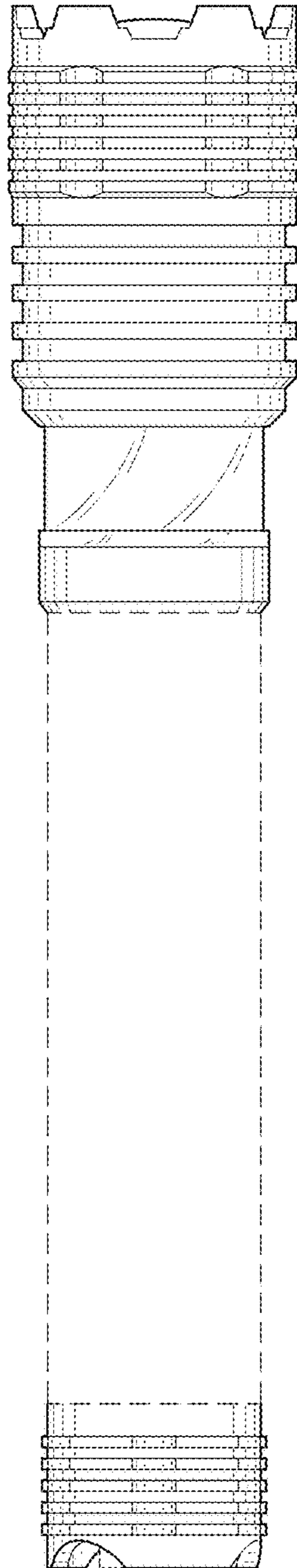


FIG. 10

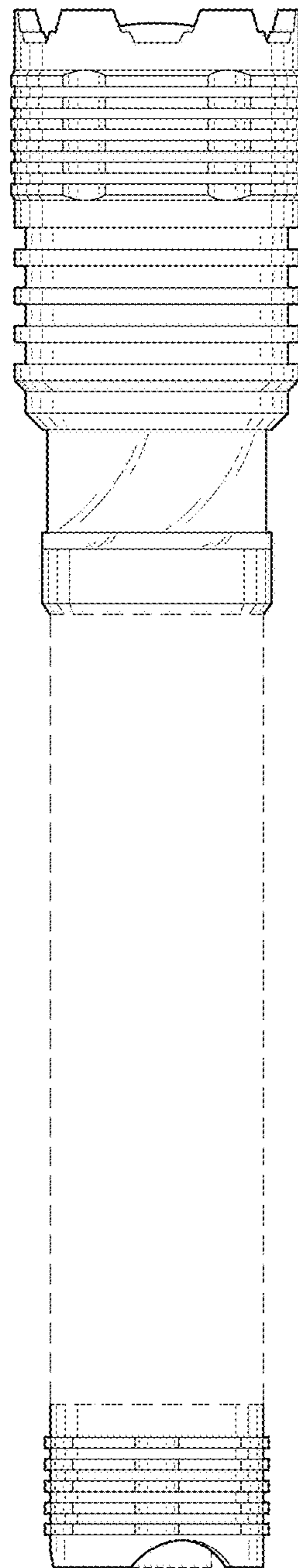


FIG. 11

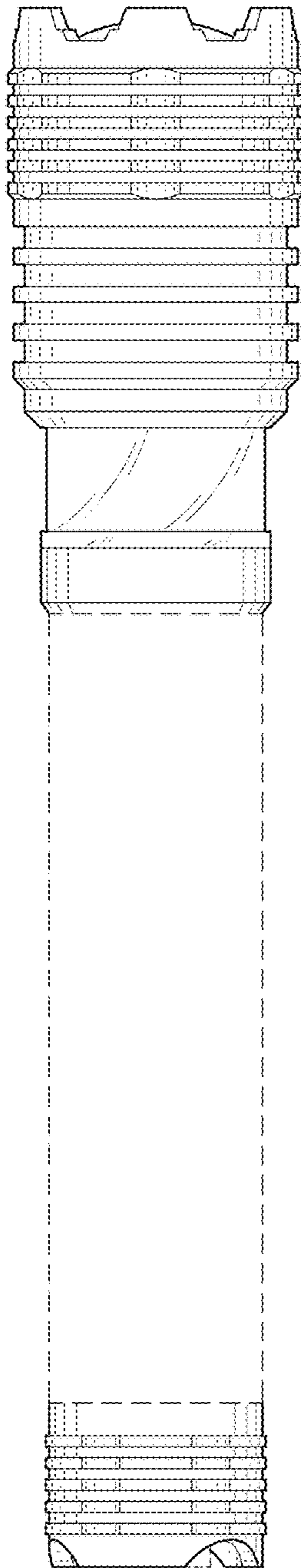


FIG. 12



FIG. 13

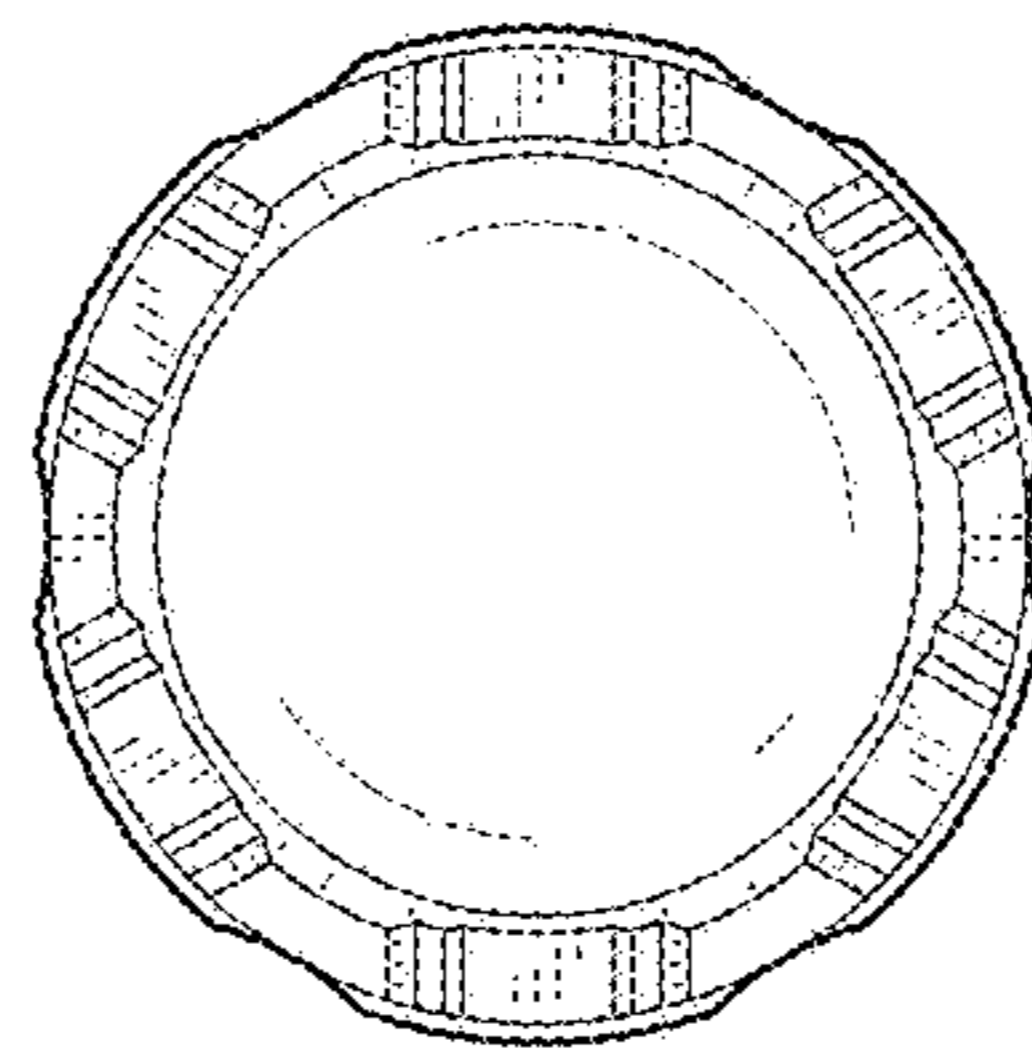


FIG. 14

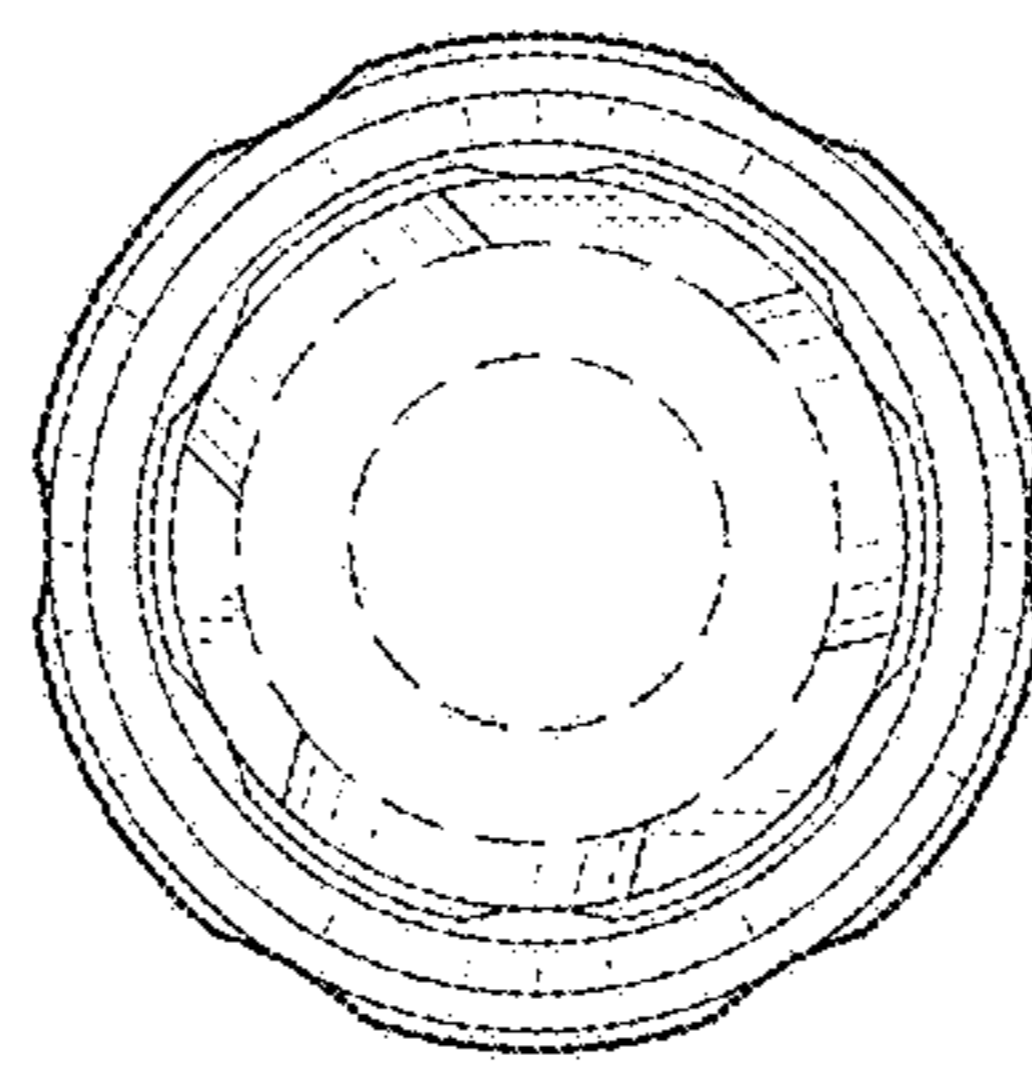


FIG. 15

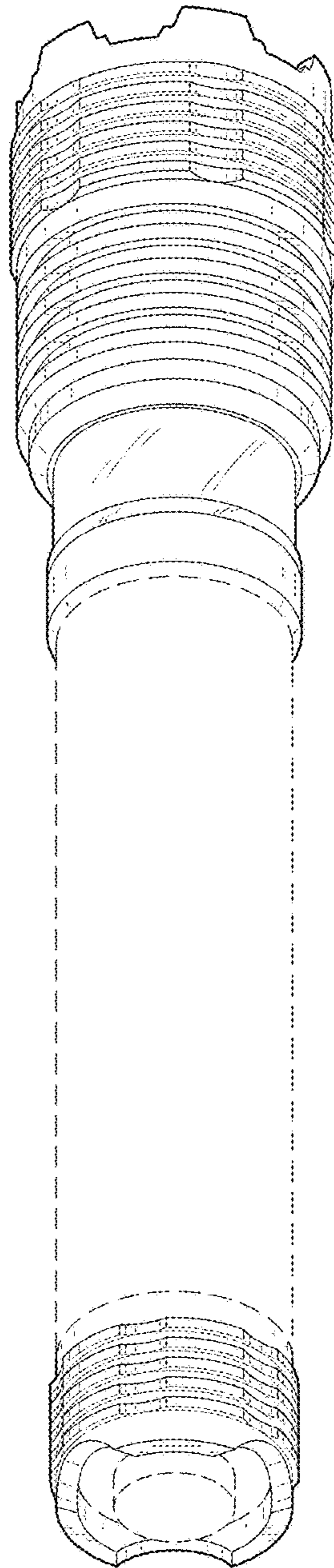


FIG. 16