



US00D858833S

(12) **United States Design Patent** (10) **Patent No.:** **US D858,833 S**
Cooper (45) **Date of Patent:** **** *Sep. 3, 2019**

(54) **LIGHT**

(71) Applicant: **Wilmar Corporation**, Renton, WA (US)

(72) Inventor: **David James Cooper**, Renton, WA (US)

(73) Assignee: **Wilmar Corporation**, Renton, WA (US)

(*) Notice: This patent is subject to a terminal disclaimer.

(**) Term: **14 Years**

(21) Appl. No.: **29/522,053**

(22) Filed: **Mar. 27, 2015**

(51) **LOC (12) Cl.** **26-02**

(52) **U.S. Cl.**
USPC **D26/43**

(58) **Field of Classification Search**

USPC D26/37, 38, 46, 49, 51, 80, 92, 120
CPC F21L 2003/00; F21L 4/00; F21L 4/005;
F21L 4/02; F21L 4/025; F21L 4/027;
F21L 4/04; F21L 4/08; F21L 2005/00;
F21L 7/00; F21L 11/00; F21L 13/00;
F21L 13/04; F21L 13/08; F21L 14/02;
F21L 17/00; F21L 19/00

See application file for complete search history.

(56) **References Cited**

U.S. PATENT DOCUMENTS

D384,763 S * 10/1997 Roorda D26/24
6,309,086 B1 * 10/2001 Tomlinson F21V 15/01
362/145
D532,919 S * 11/2006 Handsaker D26/35
D544,620 S * 6/2007 Son D26/37
D544,977 S * 6/2007 Qi D26/37
D563,002 S * 2/2008 Irizarry D26/37
D563,003 S * 2/2008 Aleksjew D26/37

D612,973 S * 3/2010 Munstermann D26/80
D618,845 S * 6/2010 Mark D26/113
D633,244 S * 2/2011 Kramer D26/80
D642,726 S * 8/2011 Khubani D26/37
D650,504 S * 12/2011 Kim D26/63

(Continued)

OTHER PUBLICATIONS

2 in 1 LED Work light—Silver, Item No. W2367, retrieved on Apr. 7, 2017 at <http://www.wilmarcorp.com/item.aspx?iid=8568>.

(Continued)

Primary Examiner — Lakiya Rogers

Assistant Examiner — Carissa C Fitts

(74) *Attorney, Agent, or Firm* — Baumgartner Patent Law; Marc Baumgartner

(57) **CLAIM**

The ornamental design for a light, as shown and described.

DESCRIPTION

FIG. 1 is a perspective view of a first embodiment of a light embodying my new design;

FIG. 2 is a front view of the light of FIG. 1;

FIG. 3 is a back view of the light of FIG. 1;

FIG. 4 is a first side view of the light of FIG. 1;

FIG. 5 is a second side view of the light of FIG. 1;

FIG. 6 is a top view of the light of FIG. 1;

FIG. 7 is a bottom view of the light of FIG. 1;

FIG. 8 is a perspective view of a second embodiment of a light embodying my new design;

FIG. 9 is a front view of the light of FIG. 8;

FIG. 10 is a back view of the light of FIG. 8;

FIG. 11 is a first side view of the light of FIG. 8;

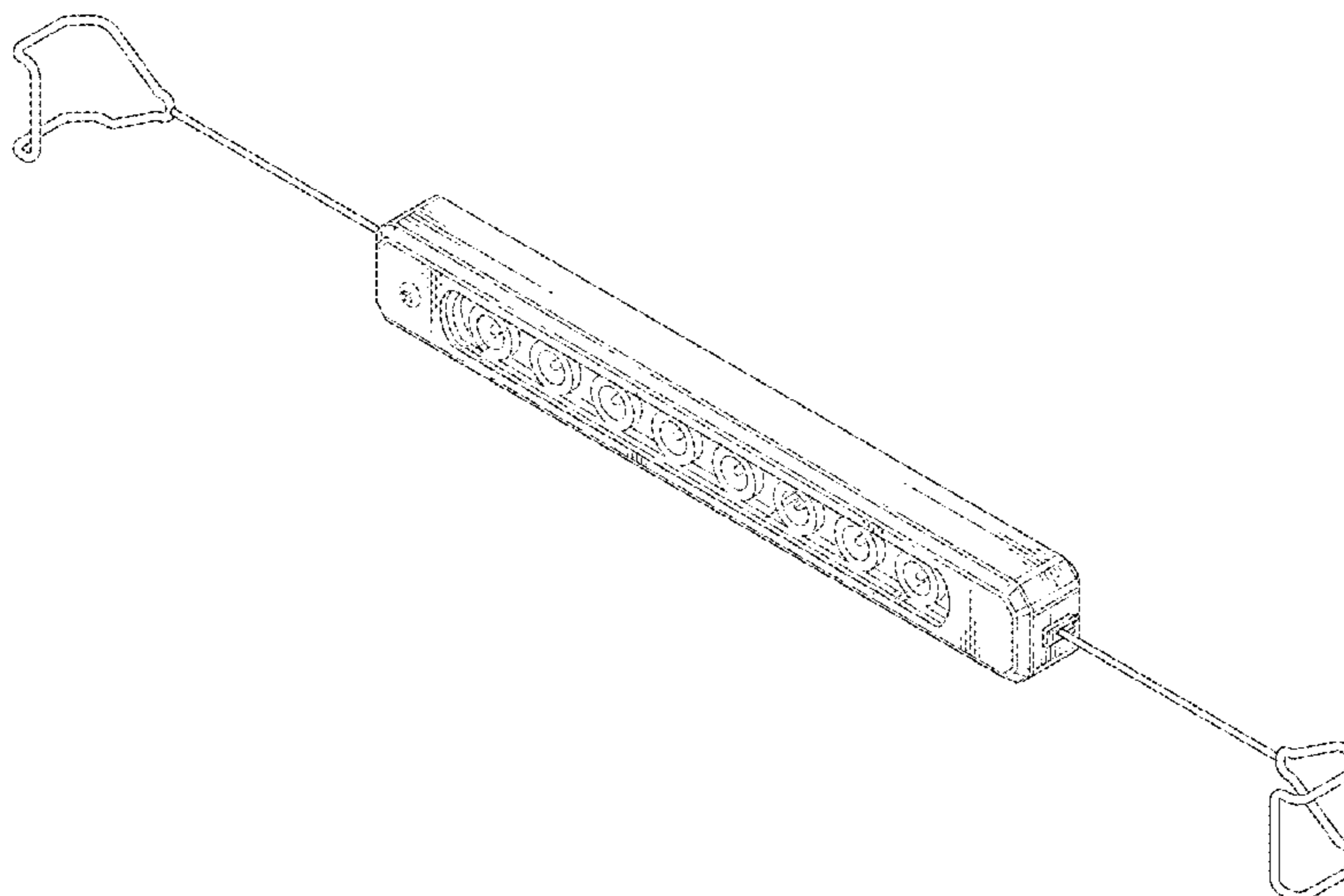
FIG. 12 is a second side view of the light of FIG. 8;

FIG. 13 is a top view of the light of FIG. 8; and,

FIG. 14 is a bottom view of the light of FIG. 8.

The broken lines show portions of the article not claimed and form no part of the claimed design.

1 Claim, 6 Drawing Sheets



(56)

References Cited

U.S. PATENT DOCUMENTS

D672,900	S	*	12/2012	Gailly	D26/80
D681,261	S	*	4/2013	Miyatake	D26/120
D690,452	S	*	9/2013	Payne	D26/80
D722,717	S	*	2/2015	Wang	D26/51
D743,594	S	*	11/2015	Scazziga	D26/37
D753,334	S	*	4/2016	Wei	D26/120
D771,304	S	*	11/2016	Goltche	D26/120
D787,728	S	*	5/2017	Wing	D26/37
2004/0042203	A1	*	3/2004	Ladstatter	F21V 7/0016 362/147

OTHER PUBLICATIONS

SLR-2120 Emergenty Area Light/Under Hood Work Light—
Rechargeable, retrieved on Apr. 7, 2017 at <http://www.baycoproducts.com/index.php/product/multi-purpose-work-lights/item/slr-2120>.

120 LED Rechargeable Under Hood Work Light, retrieved on Apr. 7, 2017 at <http://www.harborfreight.com/120-led-rechargeable-under-hood-work-light-60793.html>.

JEGS Performance Products 81928, Flexible Underhood Work Light 120 LEDs, retrieved on Apr. 7, 2017 at <http://www.jegs.com/i/JEGS-Performance-Products/555/81928/10002/-1>.

* cited by examiner

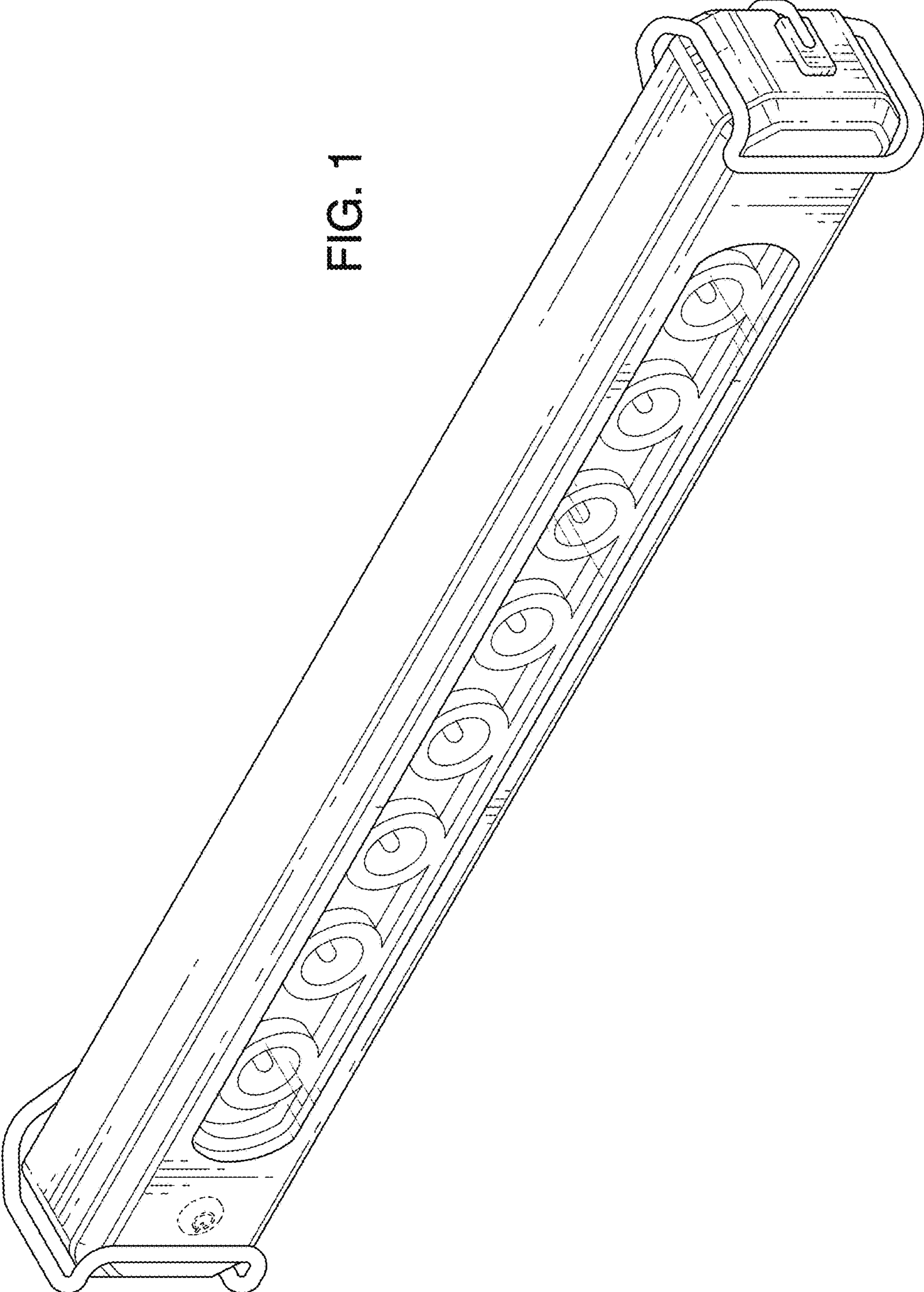


FIG. 1

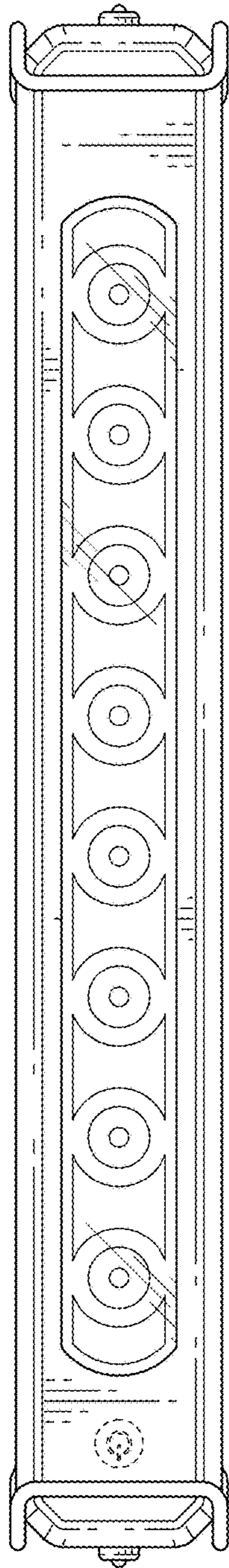


FIG. 2

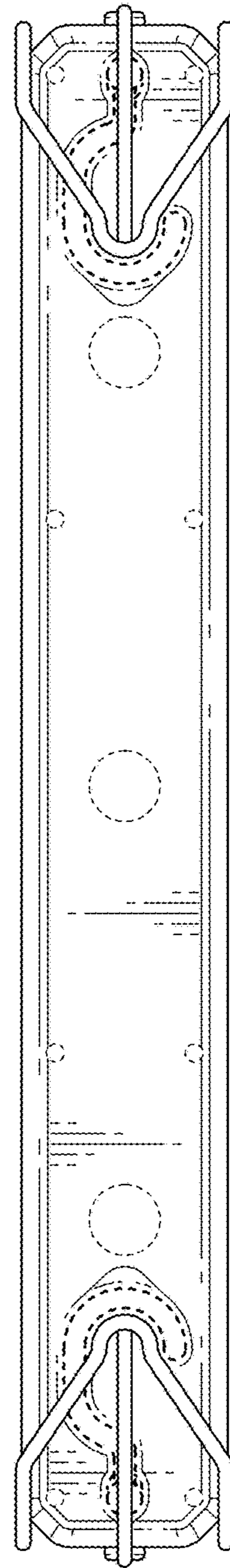


FIG. 3

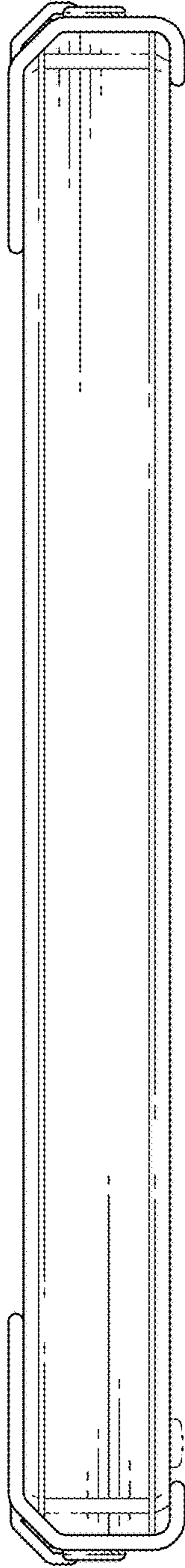


FIG. 4

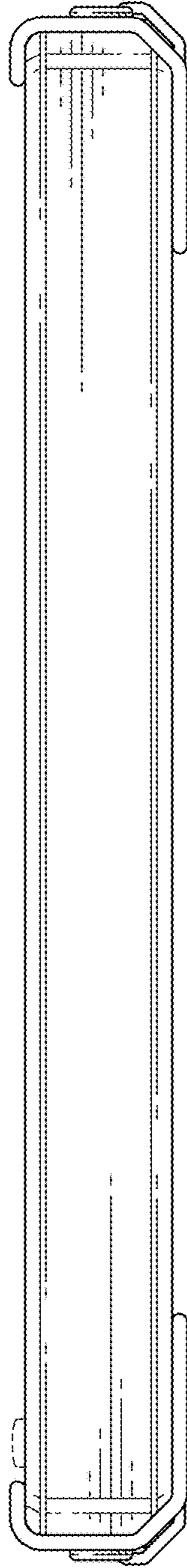


FIG. 5

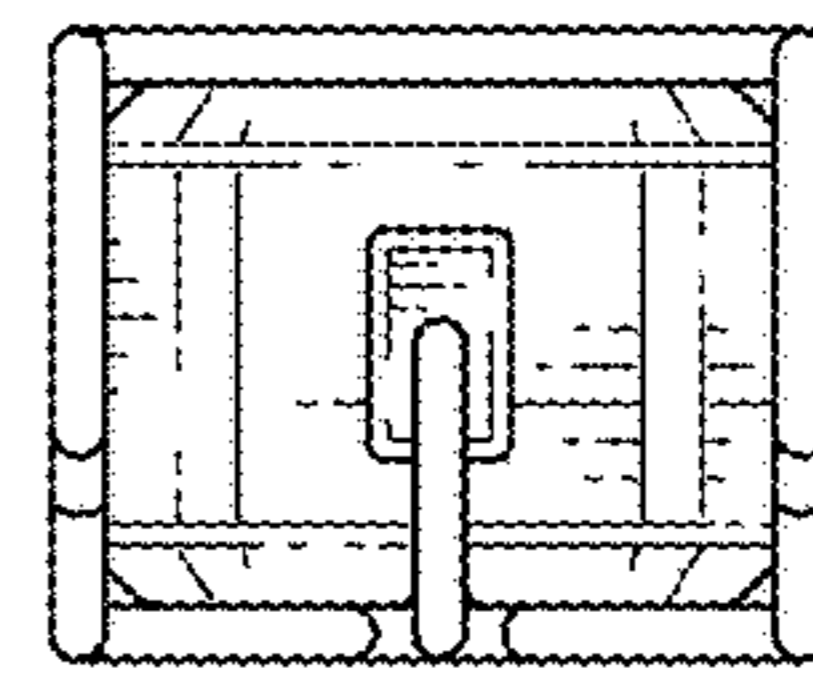


FIG. 6

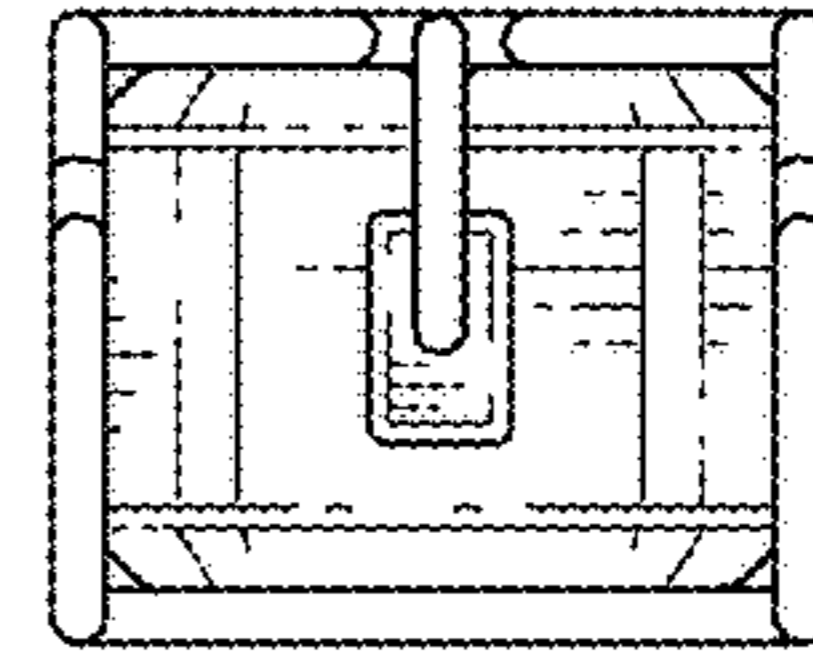


FIG. 7

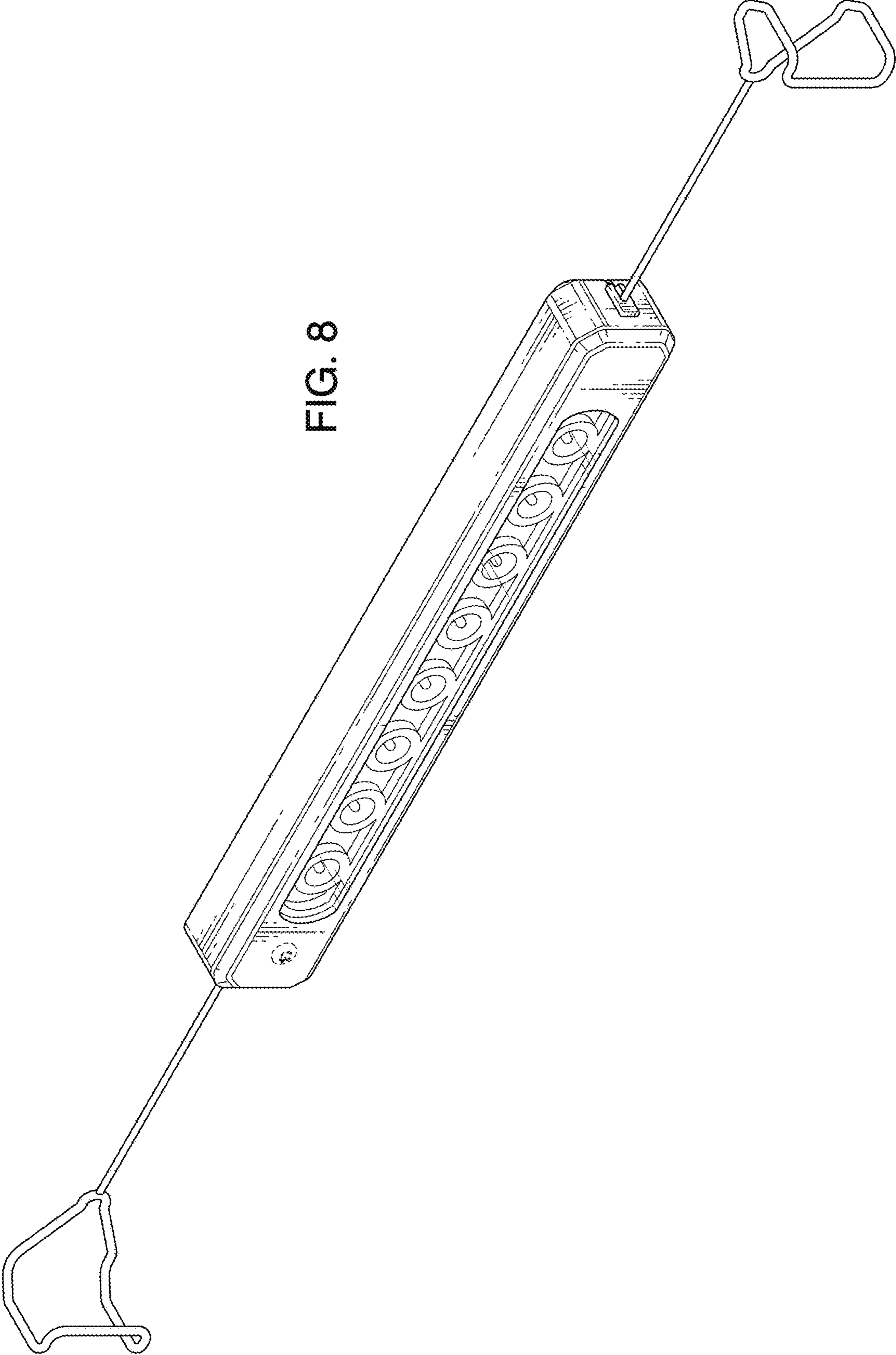


FIG. 8

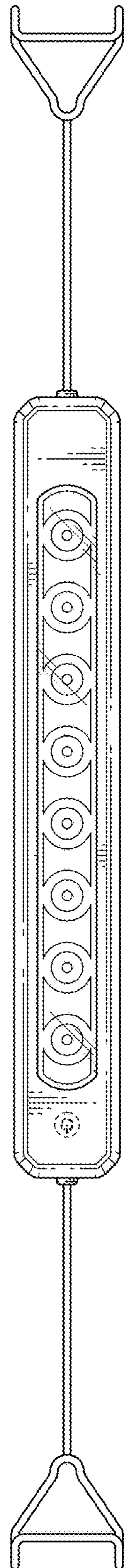


FIG. 9

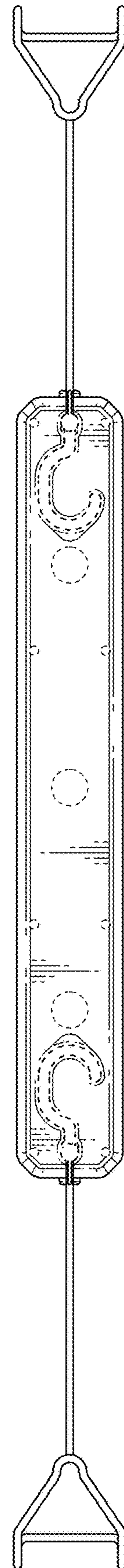


FIG. 10

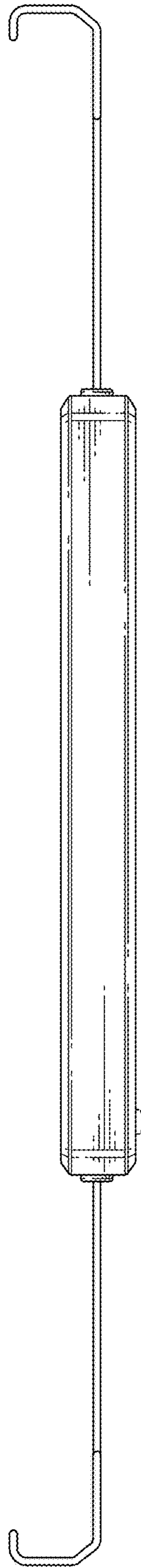


FIG. 11

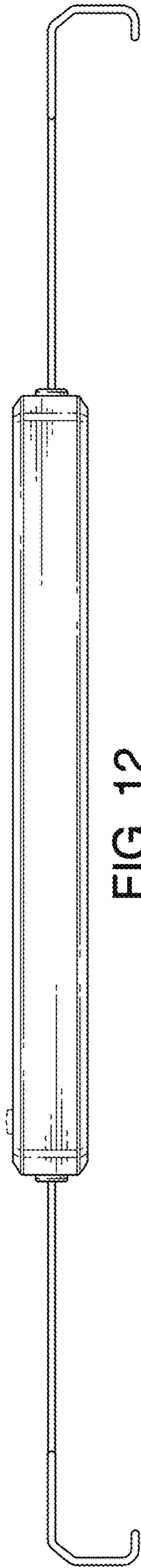


FIG. 12

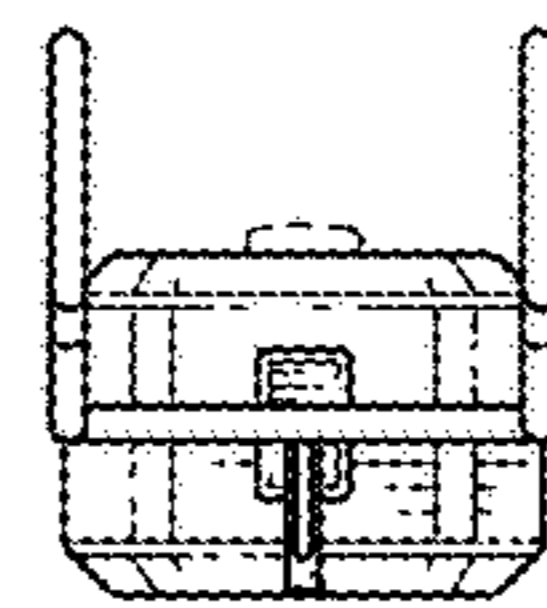


FIG. 13

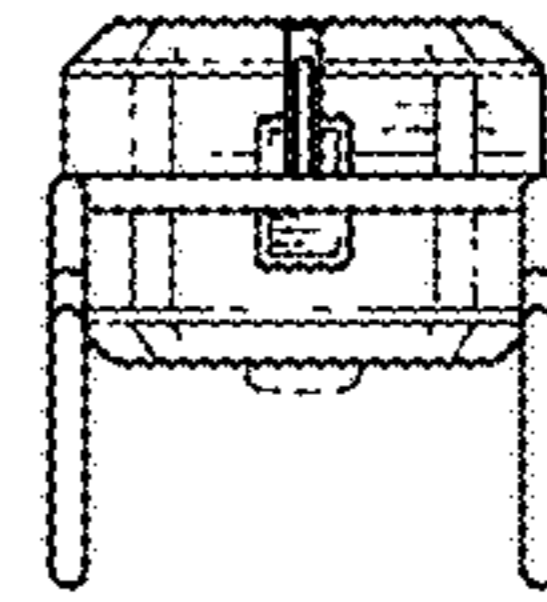


FIG. 14