



US00D858832S

(12) **United States Design Patent**  
**Dorman**

(10) **Patent No.:** **US D858,832 S**

(45) **Date of Patent:** **\*\* Sep. 3, 2019**

(54) **LIGHT**

(71) Applicant: **MILWAUKEE ELECTRIC TOOL CORPORATION**, Brookfield, WI (US)

(72) Inventor: **Justin D. Dorman**, Wauwatosa, WI (US)

(73) Assignee: **MILWAUKEE ELECTRIC TOOL CORPORATION**, Brookfield, WI (US)

(\*\*) Term: **15 Years**

(21) Appl. No.: **29/637,128**

(22) Filed: **Feb. 14, 2018**

D612,965 S *	3/2010	Extrand .....	D26/41
D621,536 S *	8/2010	Lee .....	D26/41
D661,417 S *	6/2012	Kung .....	D26/42
8,911,116 B2	12/2014	Blincoe et al.	
9,482,395 B2	11/2016	Ellingson et al.	
D822,246 S *	7/2018	Hou .....	D26/51
2006/0028812 A1	2/2006	Yuen	
2006/0061991 A1	3/2006	Yeh	
2010/0014289 A1	1/2010	Thomas et al.	
2011/0235330 A1	9/2011	Pederson et al.	

(Continued)

**FOREIGN PATENT DOCUMENTS**

DE	10053196	1/2002
DE	202013007270	11/2014

(Continued)

**Related U.S. Application Data**

(63) Continuation of application No. 15/375,278, filed on Dec. 12, 2016, now Pat. No. 10,018,337.

(51) **LOC (12) Cl.** ..... **26-02**

(52) **U.S. Cl.**  
USPC ..... **D26/37**

(58) **Field of Classification Search**  
USPC ..... **D26/37-51**

CPC ..... F21L 2003/00; F21L 4/00; F21L 4/005;  
F21L 4/02; F21L 4/025; F21L 4/027;  
F21L 4/04; F21L 4/08; F21L 2005/00;  
F21L 7/00; F21L 11/00; F21L 13/00;  
F21L 13/04; F21L 13/08; F21L 14/02;  
F21L 17/00; F21L 19/00; F21L 25/00

See application file for complete search history.

(56) **References Cited**

**U.S. PATENT DOCUMENTS**

3,226,536 A	12/1965	Atkin et al.	
5,887,969 A	3/1999	Gordin	
6,422,709 B1	7/2002	Panagiotou	
D588,733 S *	3/2009	O'Hern .....	D26/42
D593,236 S *	5/2009	Ng .....	D26/37
D612,084 S *	3/2010	Hillard .....	D26/40

**OTHER PUBLICATIONS**

European Patent Office Action for Application No. 16203513.3 dated Apr. 10, 2019, 5 pages.

*Primary Examiner* — Lakiya G Rogers

*Assistant Examiner* — Carissa C Fitts

(74) *Attorney, Agent, or Firm* — Michael Best & Friedrich LLP

(57) **CLAIM**

I claim the ornamental design for a light, as shown and described.

**DESCRIPTION**

FIG. 1 is a rear perspective view of a light according to an embodiment of the invention.

FIG. 2 is a front perspective view of the light of FIG. 1.

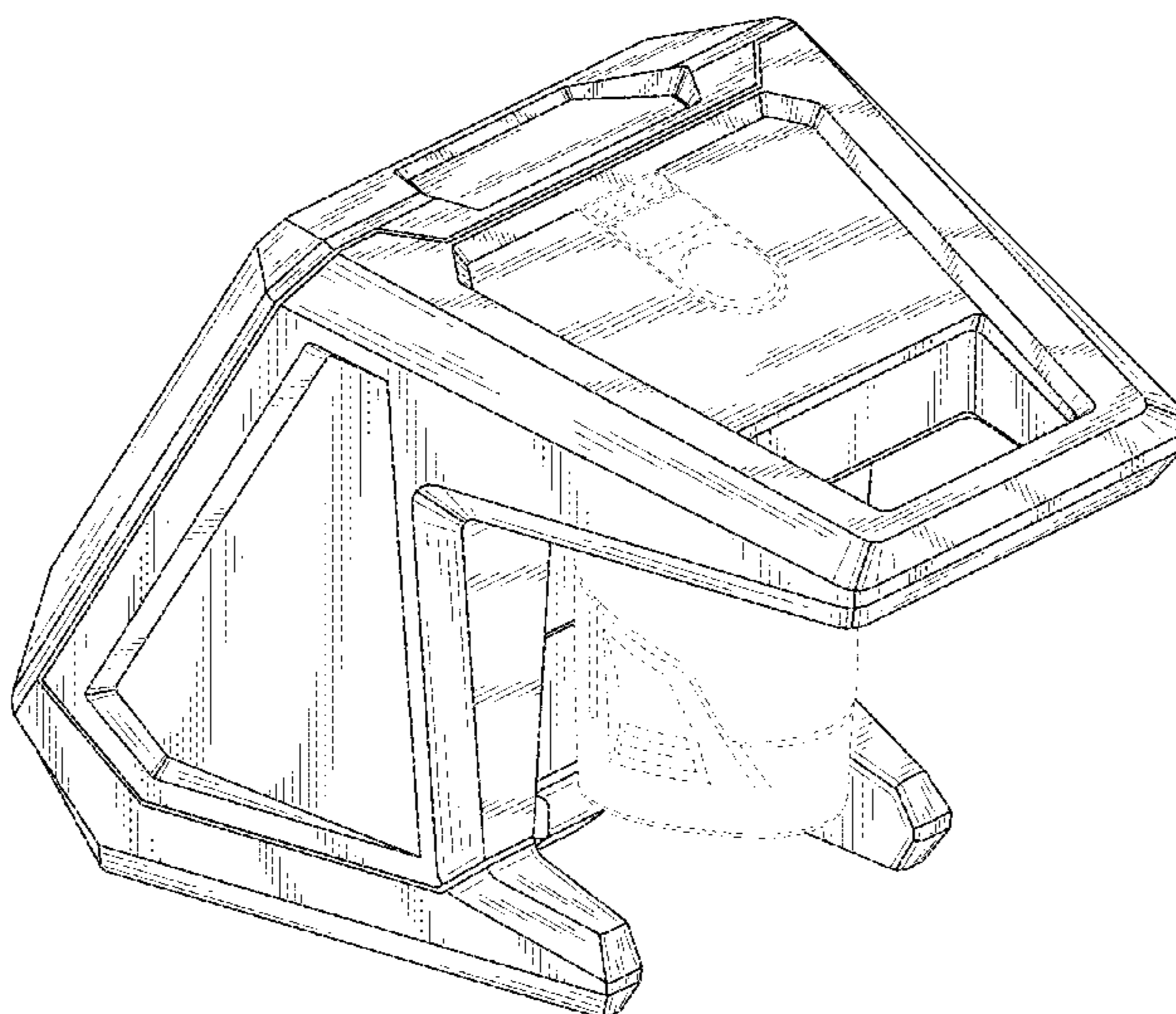
FIG. 3 is a bottom view of the light of FIG. 1.

FIG. 4 is a first side view of the light of FIG. 1; and,

FIG. 5 is a second side view of the light of FIG. 1.

The broken lines show portions of the article which form no part of the claimed design.

**1 Claim, 5 Drawing Sheets**



(56)

**References Cited**

U.S. PATENT DOCUMENTS

2011/0255274	A1	10/2011	Coleman et al.
2012/0020064	A1	1/2012	Pelletier et al.
2012/0033412	A1	2/2012	Molina et al.
2013/0258645	A1	10/2013	Weber et al.
2014/0268700	A1	9/2014	Mumma et al.
2015/0131276	A1	5/2015	Thompson et al.

FOREIGN PATENT DOCUMENTS

EP	2927557	10/2015
EP	316523	5/2017
WO	2013030099	3/2013

\* cited by examiner

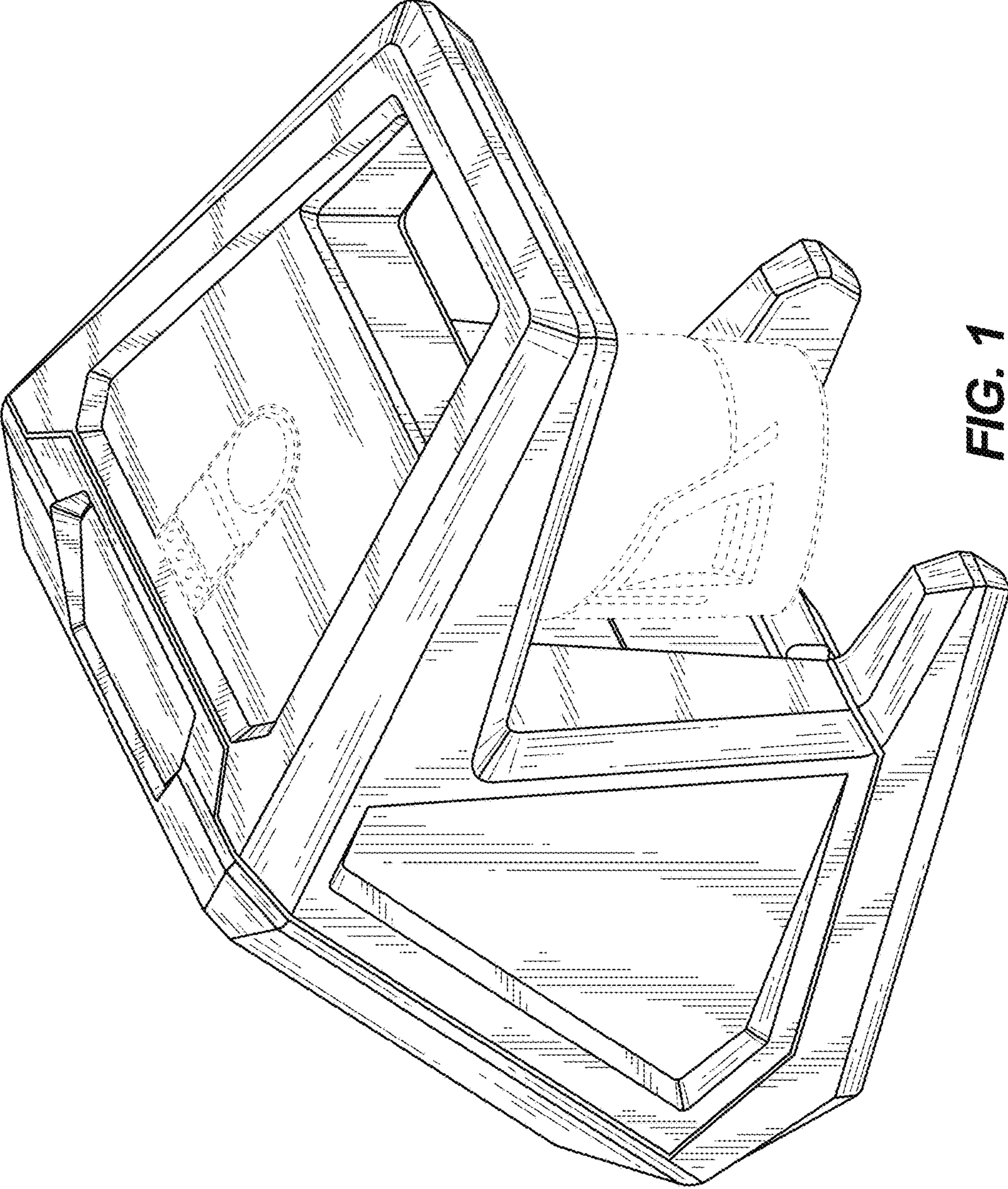
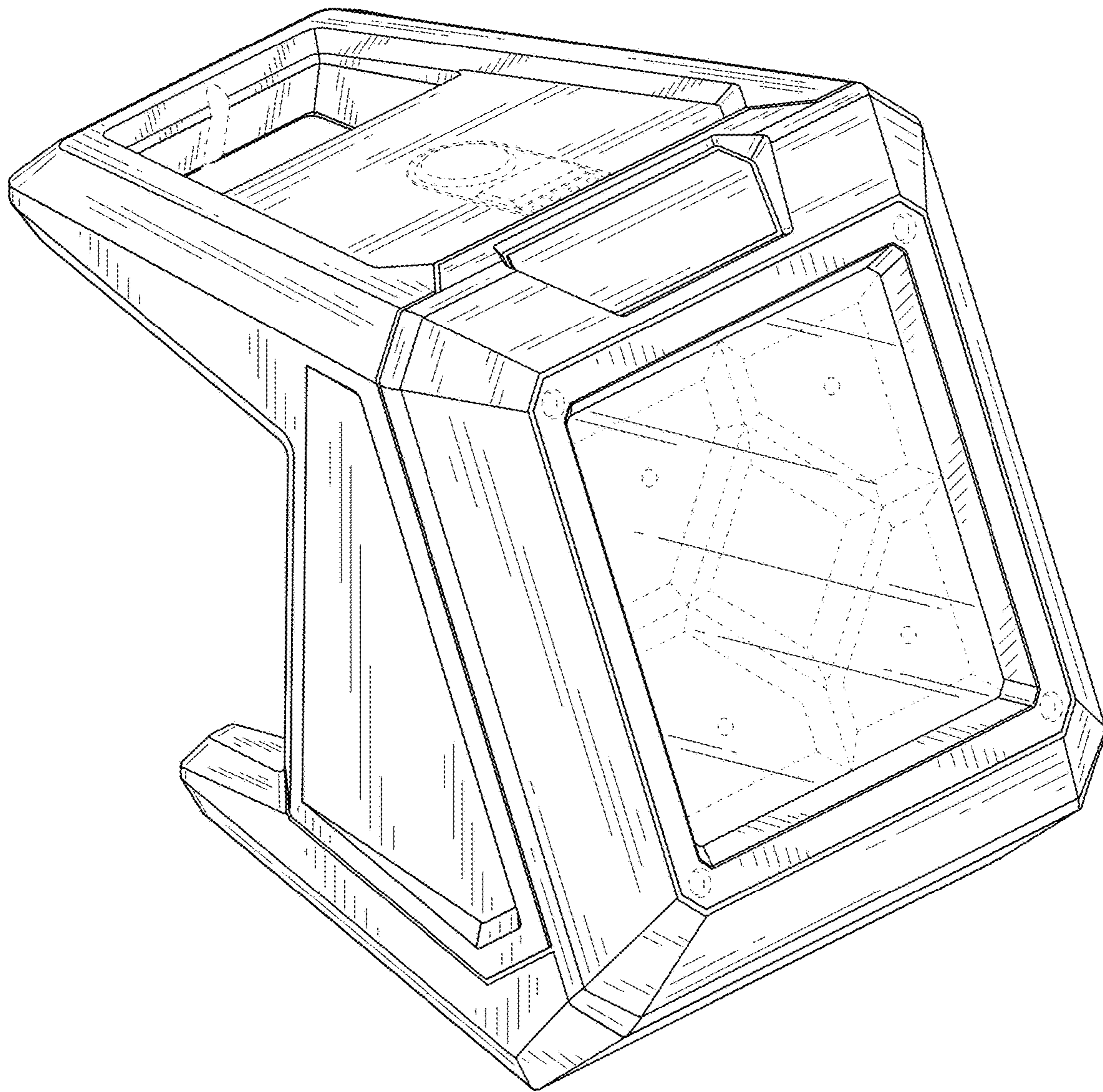
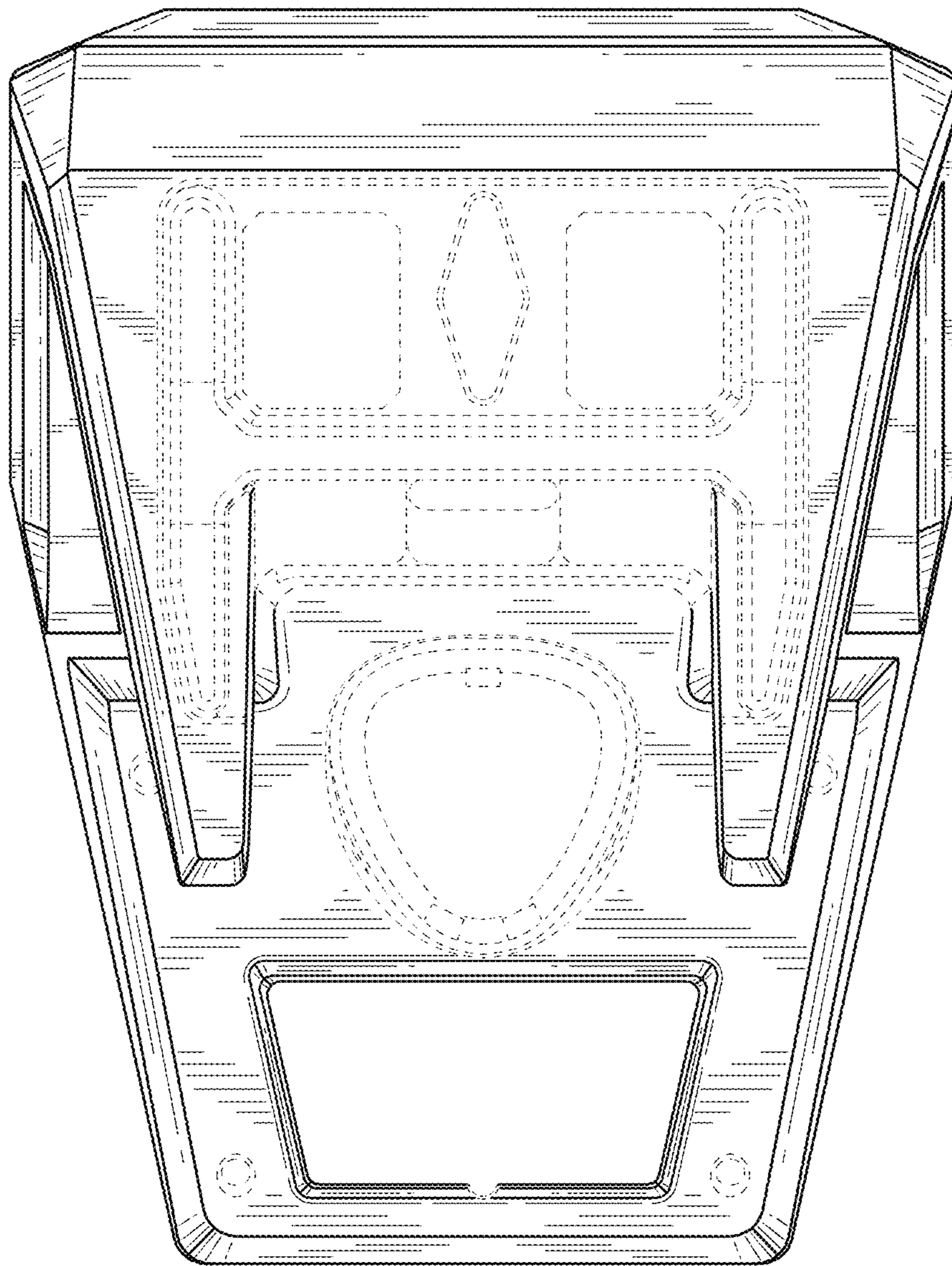


FIG. 1

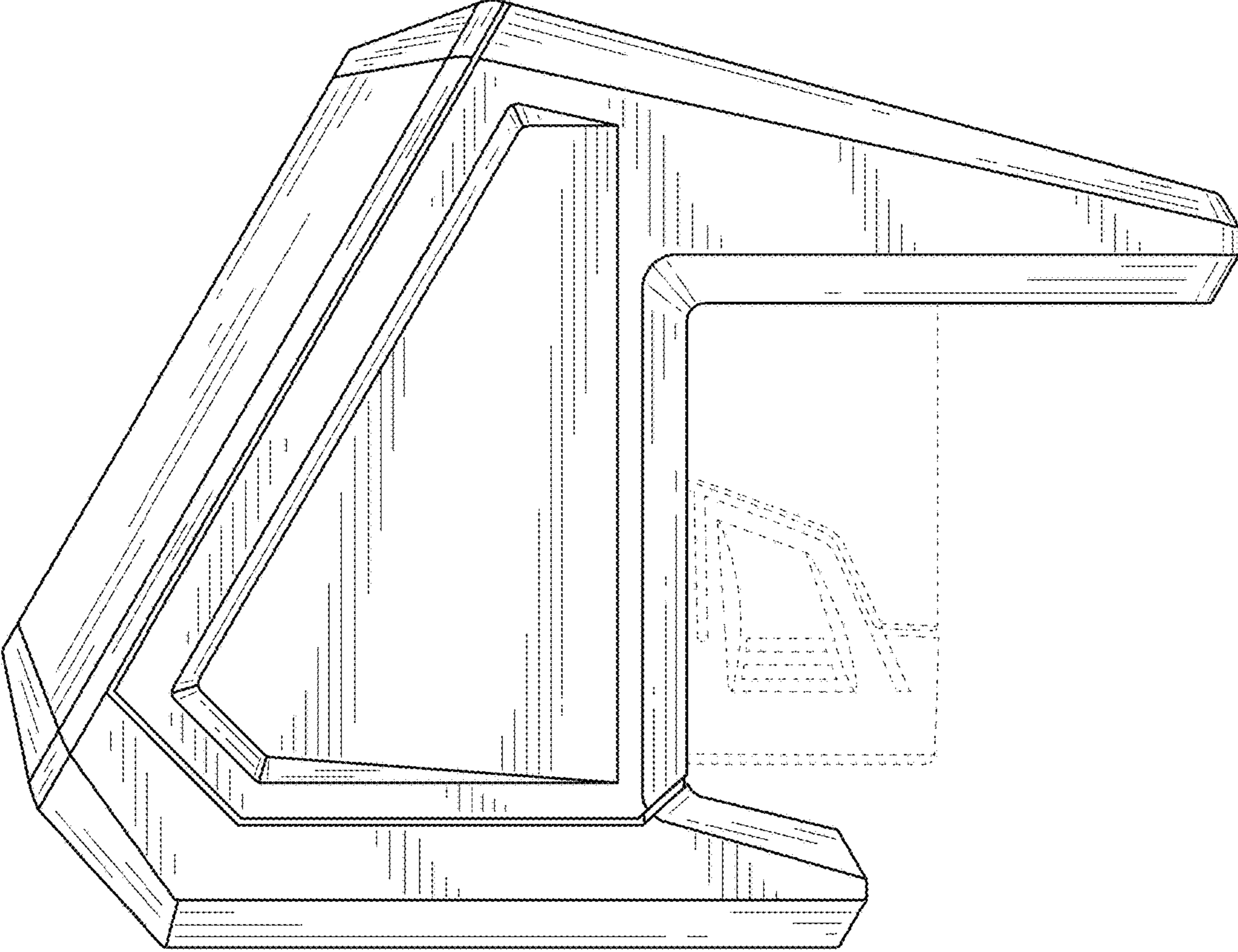




**FIG. 2**

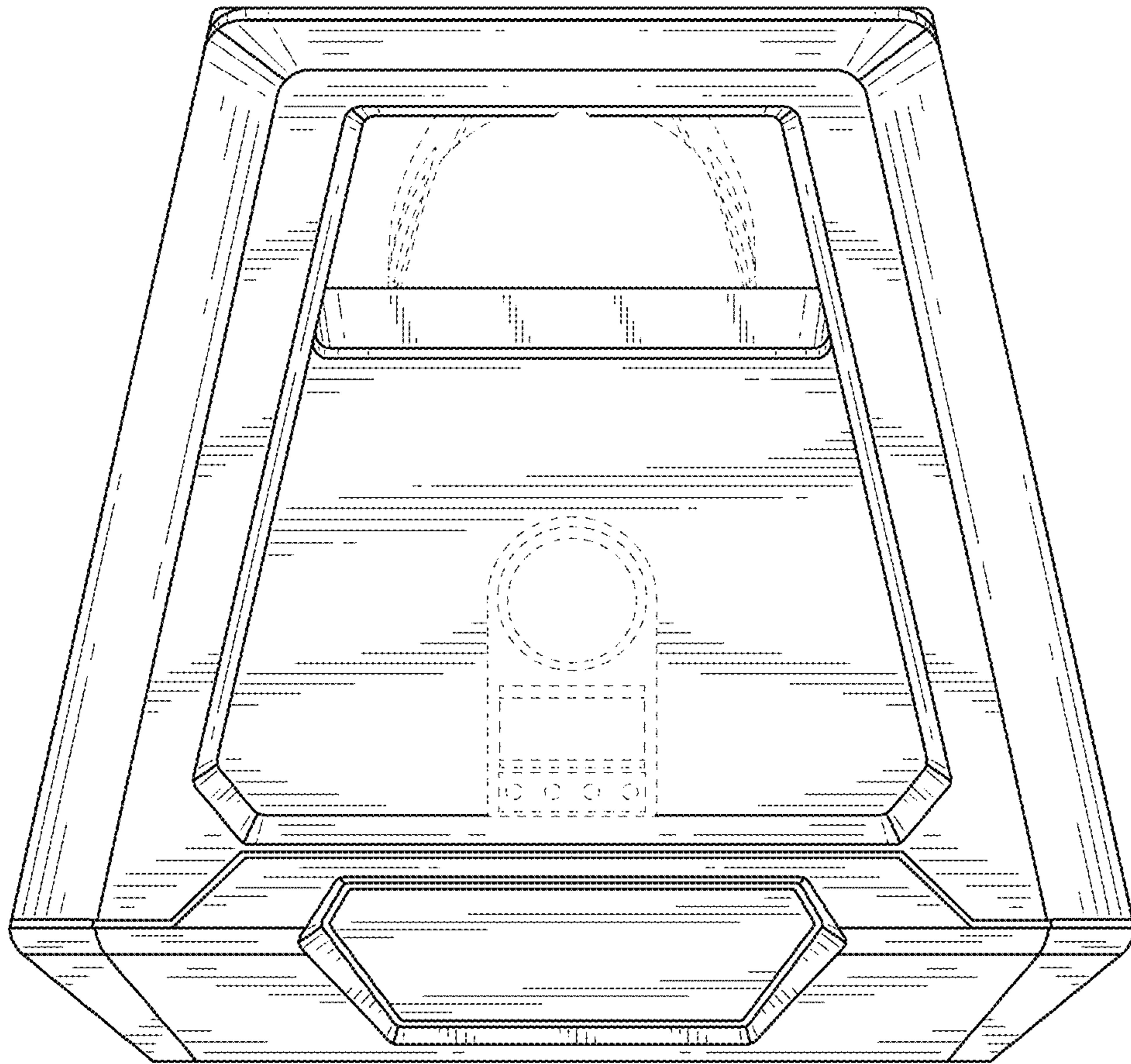


**FIG. 3**



**FIG. 4**





**FIG. 5**