



US00D858831S

(12) **United States Design Patent**
Proeber

(10) **Patent No.:** **US D858,831 S**

(45) **Date of Patent:** **** Sep. 3, 2019**

(54) **LIGHT**

(71) Applicant: **Milwaukee Electric Tool Corporation,**
Brookfield, WI (US)

(72) Inventor: **David Proeber,** Milwaukee, WI (US)

(73) Assignee: **MILWAUKEE ELECTRIC TOOL**
CORPORATION, Brookfield, WI (US)

(**) Term: **15 Years**

(21) Appl. No.: **29/586,950**

(22) Filed: **Dec. 8, 2016**

(30) **Foreign Application Priority Data**

Jun. 8, 2016 (CN) 2016 3 0230002

(51) **LOC (12) Cl.** **26-02**

(52) **U.S. Cl.**
USPC **D26/37**

(58) **Field of Classification Search**
USPC D26/37-51
CPC F21L 2003/00; F21L 4/00; F21L 4/005;
F21L 4/02; F21L 4/025; F21L 4/027;
F21L 4/04; F21L 4/08; F21L 2005/00;
F21L 7/00; F21L 11/00; F21L 13/00;
F21L 13/04; F21L 13/08; F21L 14/02;
F21L 17/00; F21L 19/00; F21L 25/00
See application file for complete search history.

(56) **References Cited**

U.S. PATENT DOCUMENTS

D336,655 S * 6/1993 Lee D16/135
D378,434 S * 3/1997 Petterson D26/44
D448,878 S * 10/2001 Dalton D26/49
D497,349 S * 10/2004 Hoshiba D13/180
D531,334 S * 10/2006 Lin D26/37
D544,620 S * 6/2007 Son D26/37
D562,480 S * 2/2008 Spartano D26/37

D590,971 S * 4/2009 Spartano D26/44
D610,727 S * 2/2010 Nyssen D26/46
D627,497 S * 11/2010 Jiang D26/37
D639,465 S * 6/2011 Abernethy D26/24
D642,726 S * 8/2011 Khubani D26/37
D668,803 S * 10/2012 Yang D26/46
D676,993 S * 2/2013 Kotsis D26/46
D684,283 S * 6/2013 Zhou D26/49
D740,986 S * 10/2015 Hine D26/46
D742,570 S * 11/2015 Brown D26/46
D743,594 S * 11/2015 Scazziga D26/37
D744,136 S * 11/2015 Osiecki D26/49
D747,263 S * 1/2016 Lafferty D13/102
D750,825 S * 3/2016 Bryant D26/42
D753,856 S * 4/2016 Iwaki D10/114.9
D758,299 S * 6/2016 Lafferty D13/102
D760,414 S * 6/2016 Brown D26/37
D767,187 S * 9/2016 Hine D26/49

(Continued)

Primary Examiner — Lakiya G Rogers

Assistant Examiner — Carissa C Fitts

(74) *Attorney, Agent, or Firm* — Michael Best &
Friedrich LLP

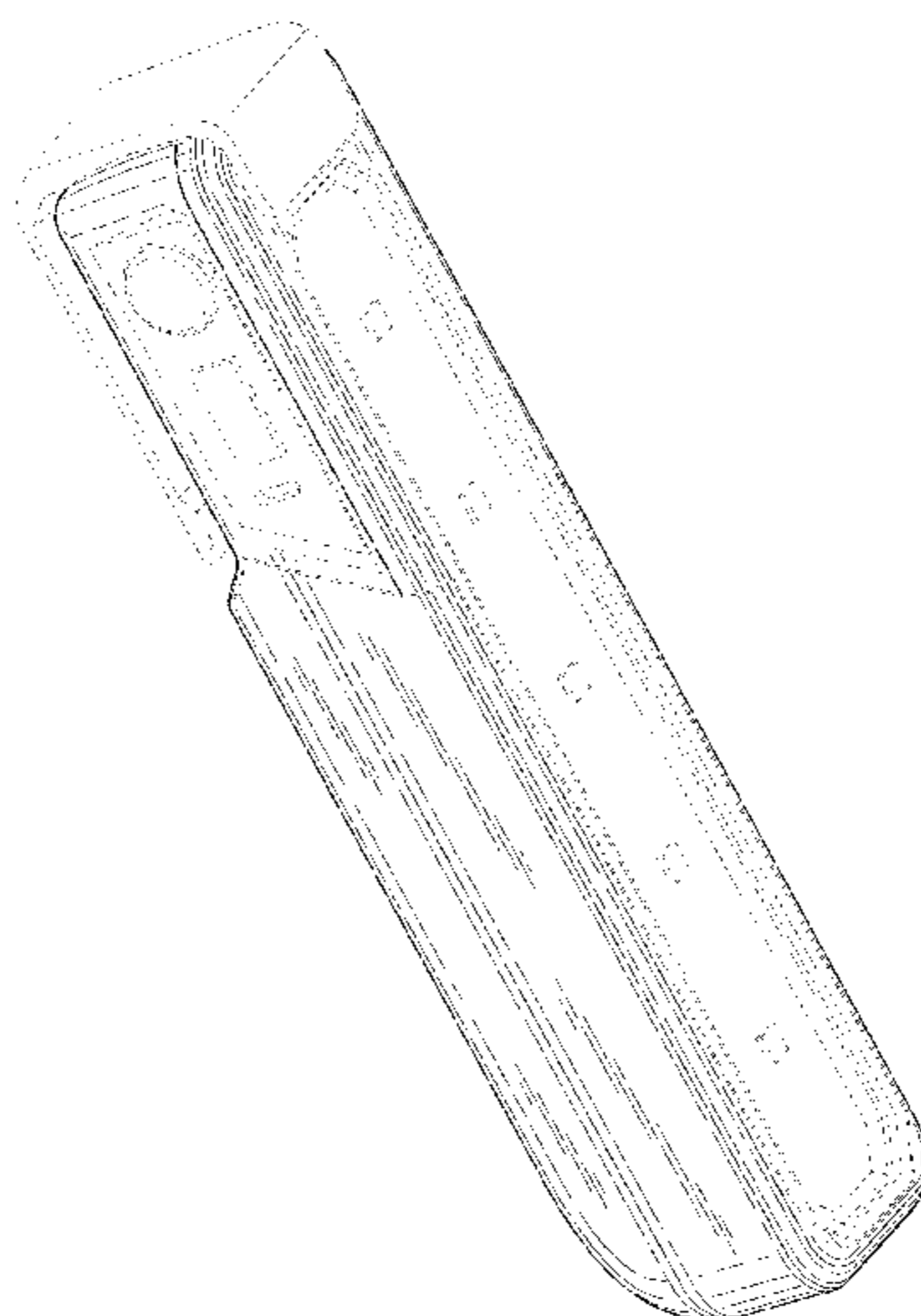
(57) **CLAIM**

I claim the ornamental design for a light, as shown and described.

DESCRIPTION

FIG. 1 is a perspective view of a light embodying the invention;
FIG. 2 is another perspective view of the light of FIG. 1;
FIG. 3 is a front view of the light of FIG. 1;
FIG. 4 is a rear view of the light of FIG. 1;
FIG. 5 is a right side view of the light of FIG. 1;
FIG. 6 is a left side view of the light of FIG. 1;
FIG. 7 is a top view of the light of FIG. 1; and,
FIG. 8 is a bottom view of the light of FIG. 1.
The elements shown in broken lines form no part of the claimed design.

1 Claim, 5 Drawing Sheets



(56)

References Cited

U.S. PATENT DOCUMENTS

D787,728 S *	5/2017	Wing	D26/37
D791,379 S *	7/2017	Koshiha	D26/37
D805,666 S *	12/2017	Nguyen	D26/37
D806,294 S *	12/2017	Nguyen	D26/37
D817,331 S *	5/2018	Volta	D14/431
D818,621 S *	5/2018	Kunzendorf	D26/49
D823,509 S *	7/2018	Kunzendorf	D26/49
D826,439 S *	8/2018	Ma	D26/49
D827,890 S *	9/2018	Mullani	D26/37
D829,354 S *	9/2018	Cacciabeve	D26/37
D838,395 S *	1/2019	Nguyen	D26/46
2013/0258649 A1 *	10/2013	Mueckl	F21V 15/01 362/191

* cited by examiner

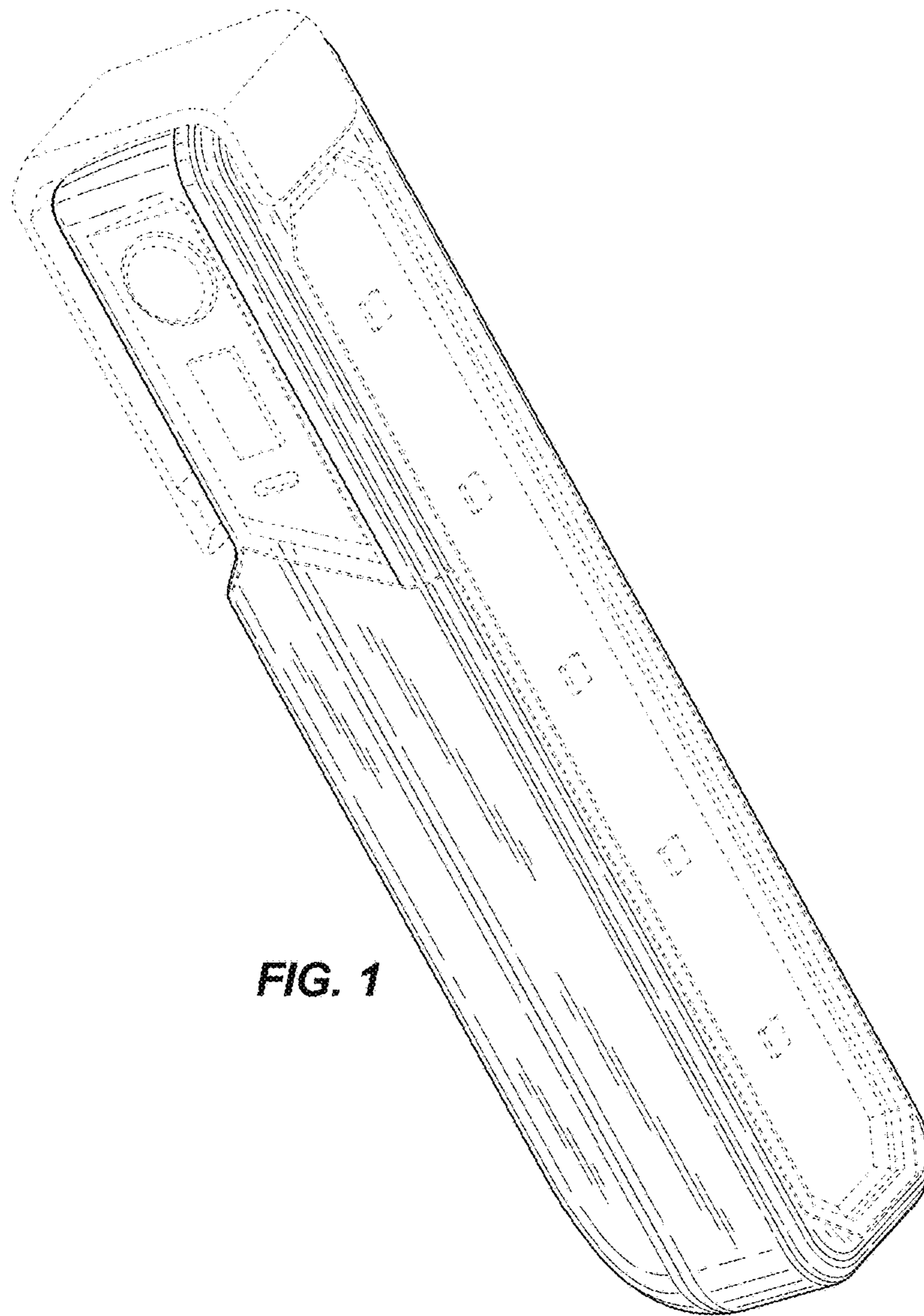


FIG. 1

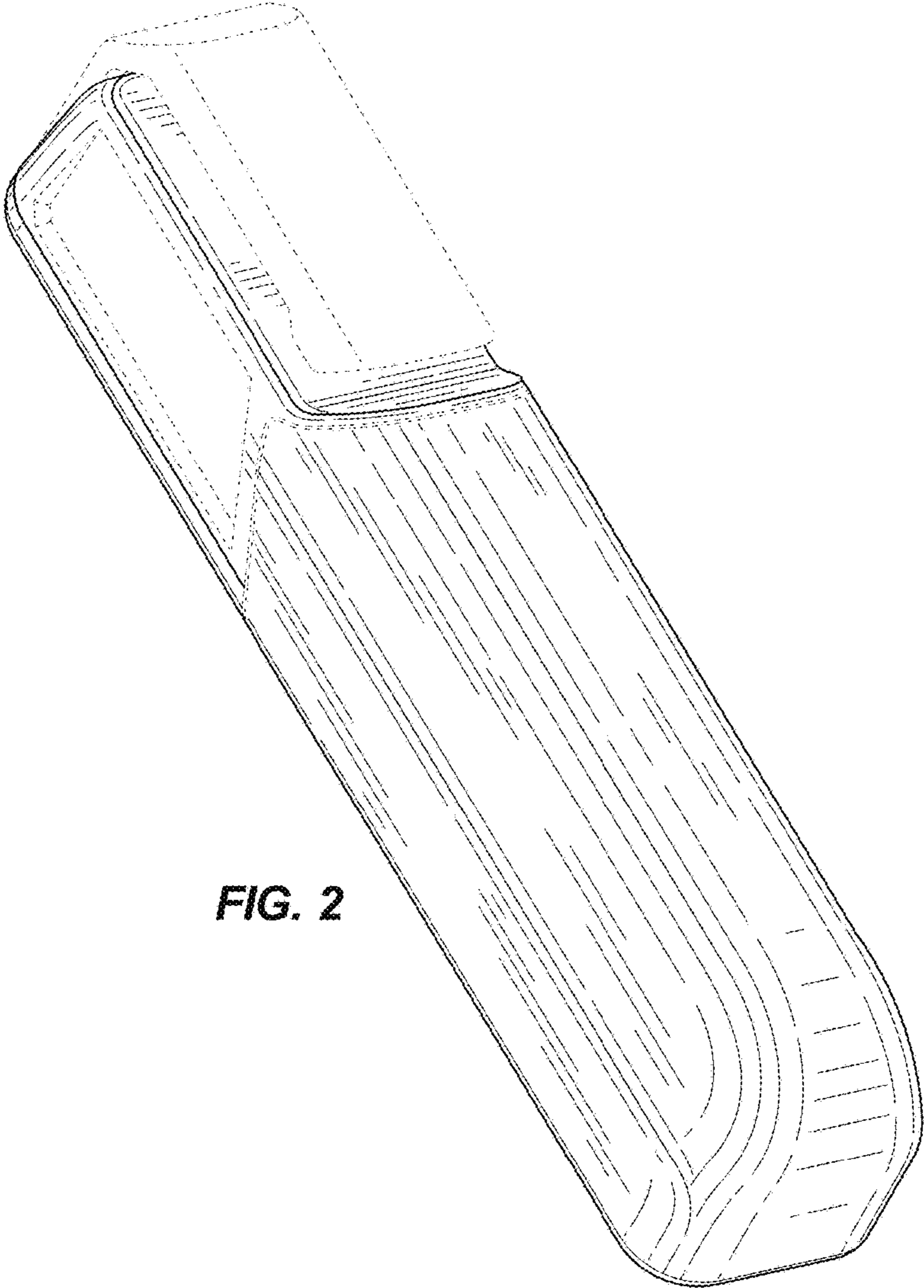


FIG. 2

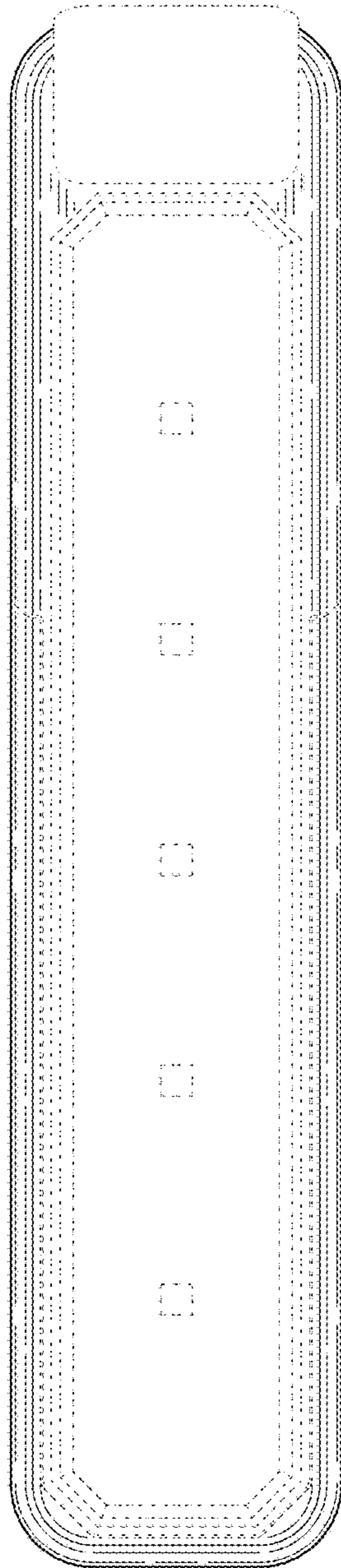


FIG. 3

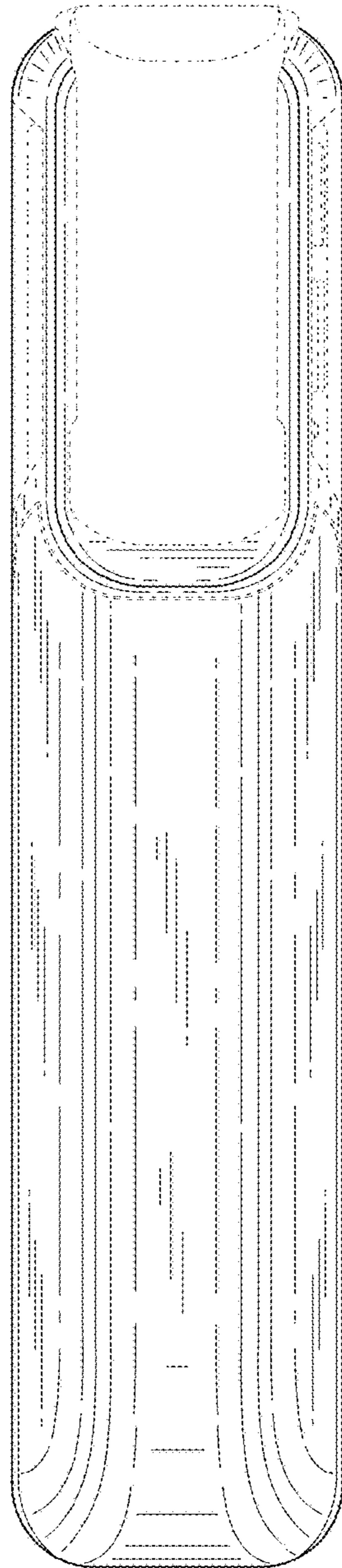


FIG. 4

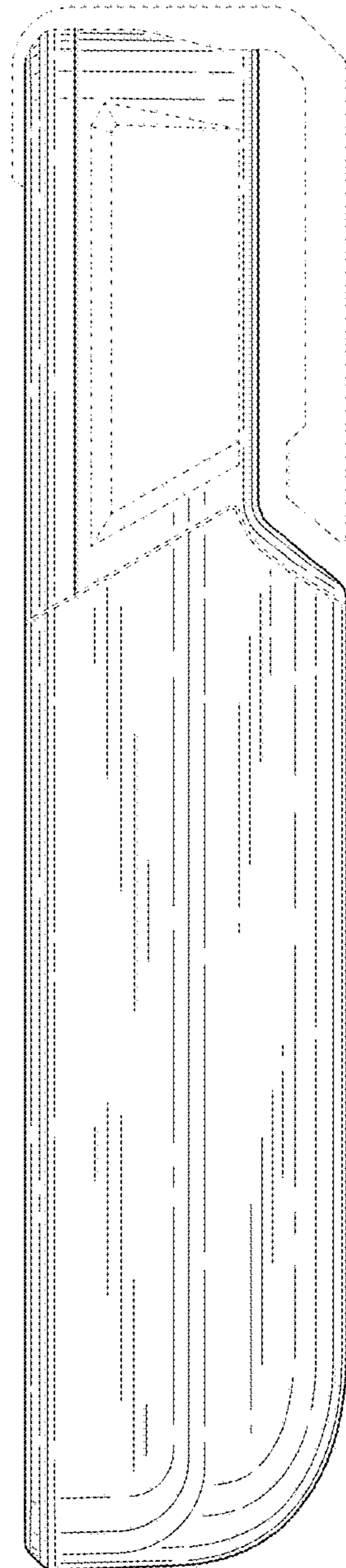


FIG. 5

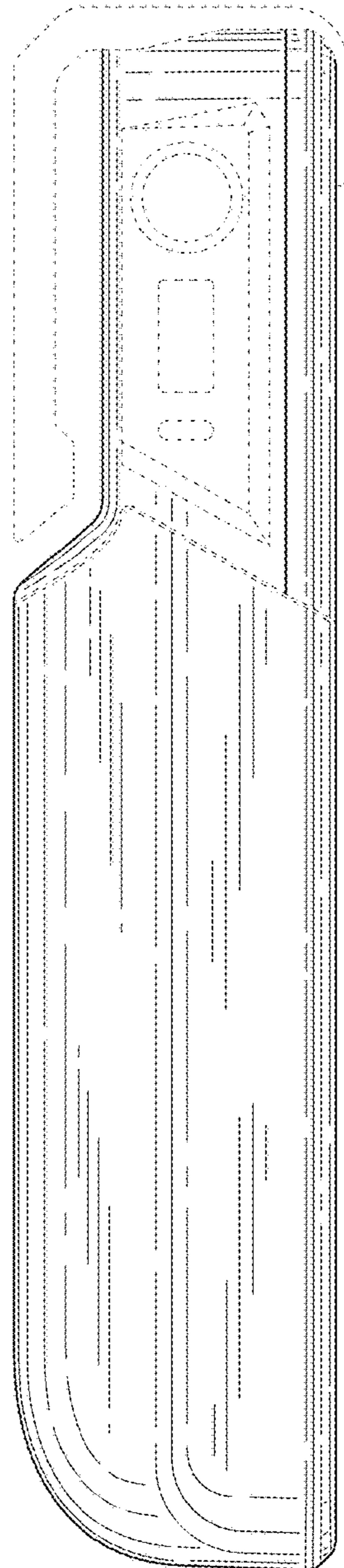


FIG. 6

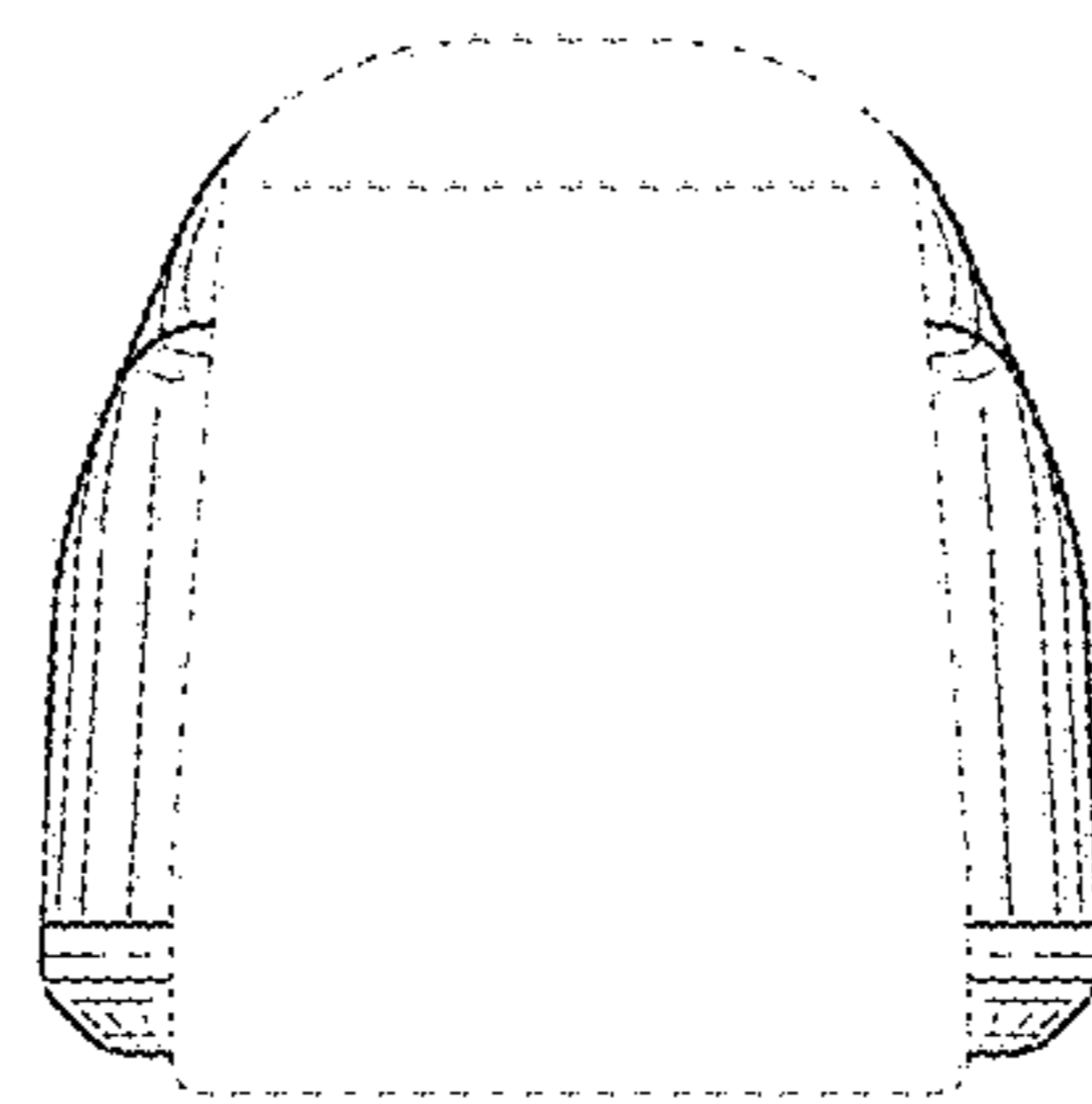


FIG. 7

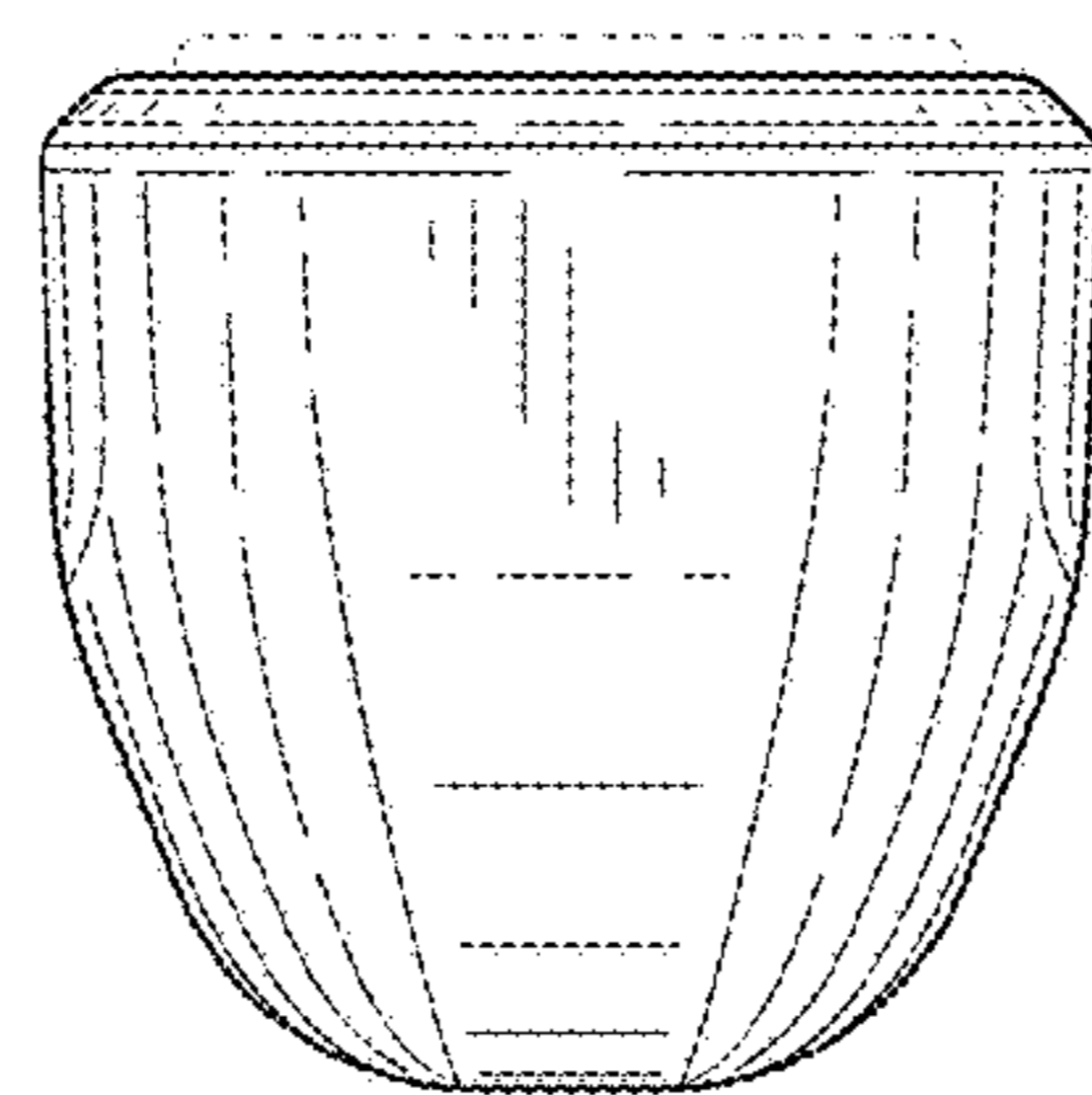


FIG. 8