



US00D858830S

(12) **United States Design Patent**
Grandadam

(10) **Patent No.:** **US D858,830 S**

(45) **Date of Patent:** **** Sep. 3, 2019**

(54) **LED CUBE LIGHT**

(71) Applicant: **Promier Products, Inc.**, Peru, IL (US)

(72) Inventor: **Cody Duane Grandadam**, Peru, IL (US)

(73) Assignee: **Promier Products, Inc.**, Peru, IL (US)

(**) Term: **15 Years**

(21) Appl. No.: **29/580,216**

(22) Filed: **Oct. 6, 2016**

(51) **LOC (12) Cl.** **26-02**

(52) **U.S. Cl.**
USPC **D26/37**

(58) **Field of Classification Search**
USPC D26/37-51
CPC F21L 2003/00; F21L 4/00; F21L 4/005;
F21L 4/02; F21L 4/025; F21L 4/027;
F21L 4/04; F21L 4/08; F21L 2005/00;
F21L 7/00; F21L 11/00; F21L 13/00;
F21L 13/04; F21L 13/08; F21L 14/02;
F21L 17/00; F21L 19/00; F21L 25/00
See application file for complete search history.

(56) **References Cited**

U.S. PATENT DOCUMENTS

D485,003 S *	1/2004	Olson	D26/104
D514,556 S *	2/2006	Rising	D14/300
D561,168 S *	2/2008	Song	D14/188
D567,625 S *	4/2008	Mattson	D8/307
D598,906 S *	8/2009	Chiba	D14/240
D633,239 S *	2/2011	Chen	D26/41
D639,494 S *	6/2011	Schrimmer	D26/104
D648,298 S *	11/2011	Pierce	D14/138 G
D648,471 S *	11/2011	Wauters	D26/63
D649,148 S *	11/2011	Gengoux	D14/300

(Continued)

FOREIGN PATENT DOCUMENTS

CN	201875563	6/2011
CN	301926621 S	5/2012

(Continued)

OTHER PUBLICATIONS

<http://petapixel.com/2014/11/20/small-portable-flash-cube-can-pump-1500-lumens-light-gopro-smartphone>, at least as early as Oct. 6, 2016.

(Continued)

Primary Examiner — Lakiya G Rogers

Assistant Examiner — Carissa C Fitts

(74) *Attorney, Agent, or Firm* — Barnes & Thornburg LLP

(57) **CLAIM**

I claim the ornamental design for an LED cube light, as shown and described.

DESCRIPTION

FIG. 1 is an elevated perspective view of a LED cube light according to a new design.

FIG. 2 is a front view of the LED cube light shown in FIG. 1.

FIG. 3 is a back view of the LED cube light shown in FIG. 1.

FIG. 4 is a top view of the LED cube light shown in FIG. 1.

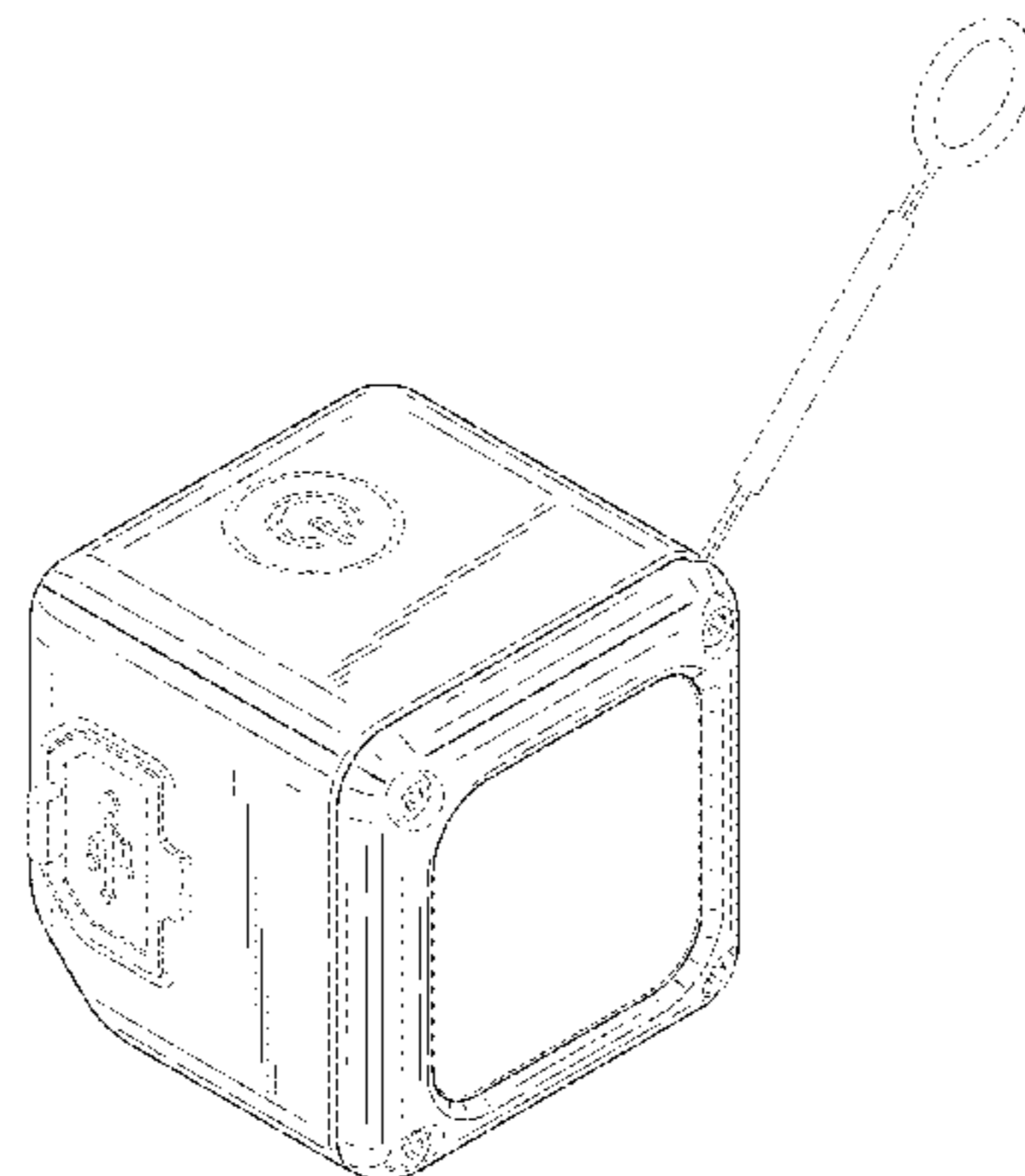
FIG. 5 is a bottom view of the LED cube light shown in FIG. 1.

FIG. 6 is a right side view of the LED cube light shown in FIG. 1; and,

FIG. 7 is a left side view of the LED cube light shown in FIG. 1.

Those portions of the invention presented in broken or dotted lines show the environment of the design only and form no part of the claimed design. Moreover, any shading presented in the accompanying drawings is provided merely to highlight the contour of the claimed design and is not intended to be illustrative of texture or gloss.

1 Claim, 6 Drawing Sheets



(56)

References Cited

U.S. PATENT DOCUMENTS

D670,646	S	*	11/2012	Canova	D13/104
D670,843	S	*	11/2012	von Waldthausen	D26/37
D684,718	S	*	6/2013	Ko	D26/72
D711,463	S	*	8/2014	Costabeber	D14/300
D716,477	S	*	10/2014	Chu	D26/28
D727,387	S	*	4/2015	Hasegawa	D16/203
D745,988	S	*	12/2015	Ahn	D26/38
D754,109	S	*	4/2016	Kelly	D14/240
D772,221	S	*	11/2016	Kacin	D14/308
D773,706	S	*	12/2016	Ookawa	D26/51
D779,242	S	*	2/2017	Kacin	D6/682.5
D781,250	S	*	3/2017	Cartwright	D13/168
D785,365	S	*	5/2017	Newlin	D6/526
D820,488	S	*	6/2018	Kinsen Ka Fai	D26/37
D824,368	S	*	7/2018	Kacin	D14/218

FOREIGN PATENT DOCUMENTS

CN	202266905	6/2012
CN	202274317	6/2012
CN	203336270	12/2013
WO	WO2016138552	9/2016

OTHER PUBLICATIONS

<https://web.archive.org/web/20150921015857/http://www.ledlightcube.com/products/ic12-microlight>, at least as early as Oct. 6, 2016.

<https://web.archive.org/web/20130811064215/http://www.ledlightcube.com>, at least as early as Oct. 6, 2016.

<http://www.focuscamera.com/mefoto-sunshine-cube-red.html>, at least as early as Oct. 6, 2016.

<https://www.lumecube.com/shop/single-lume-cube?SID=U>, at least as early as Oct. 6, 2016.

* cited by examiner

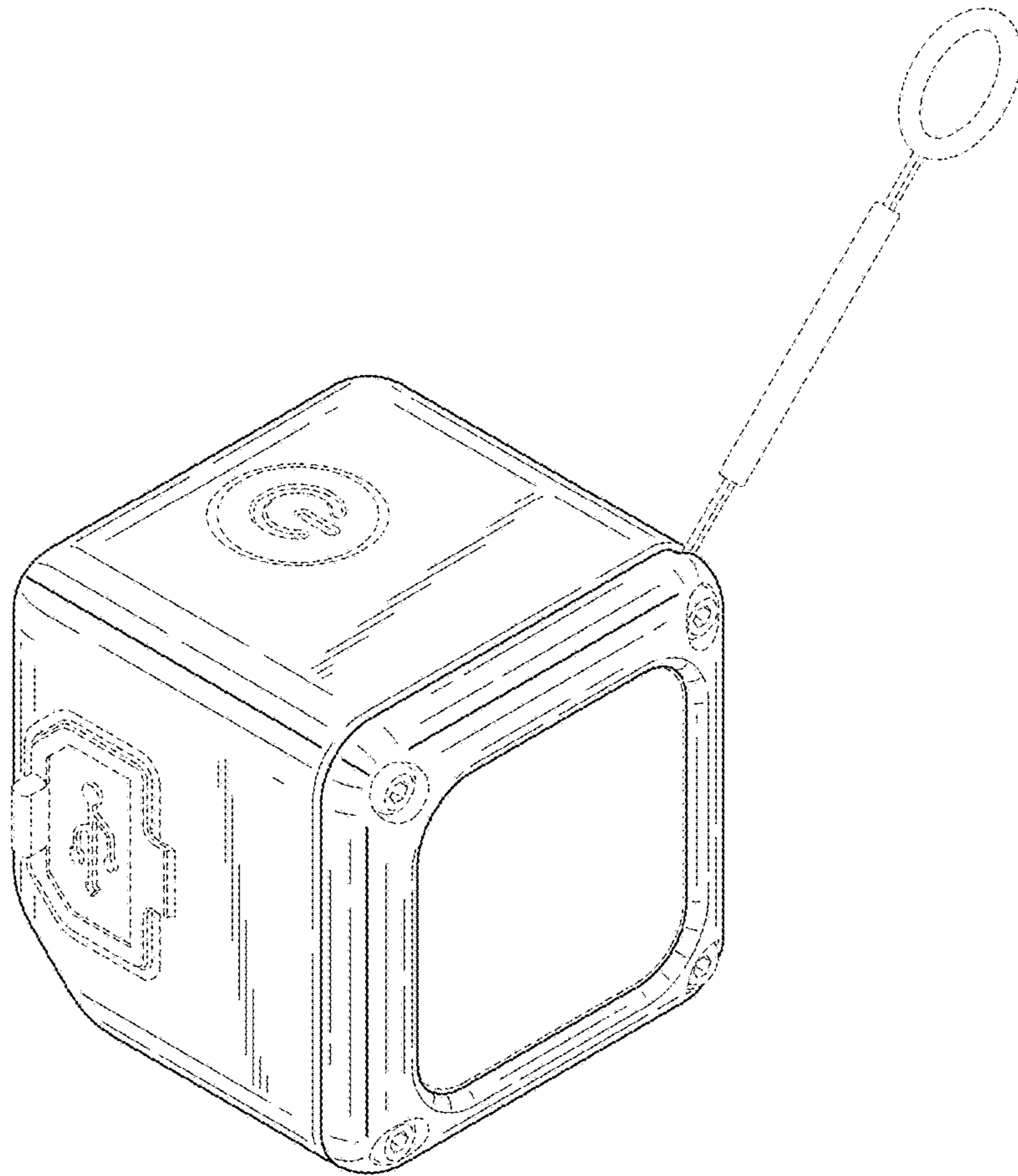


FIG. 1

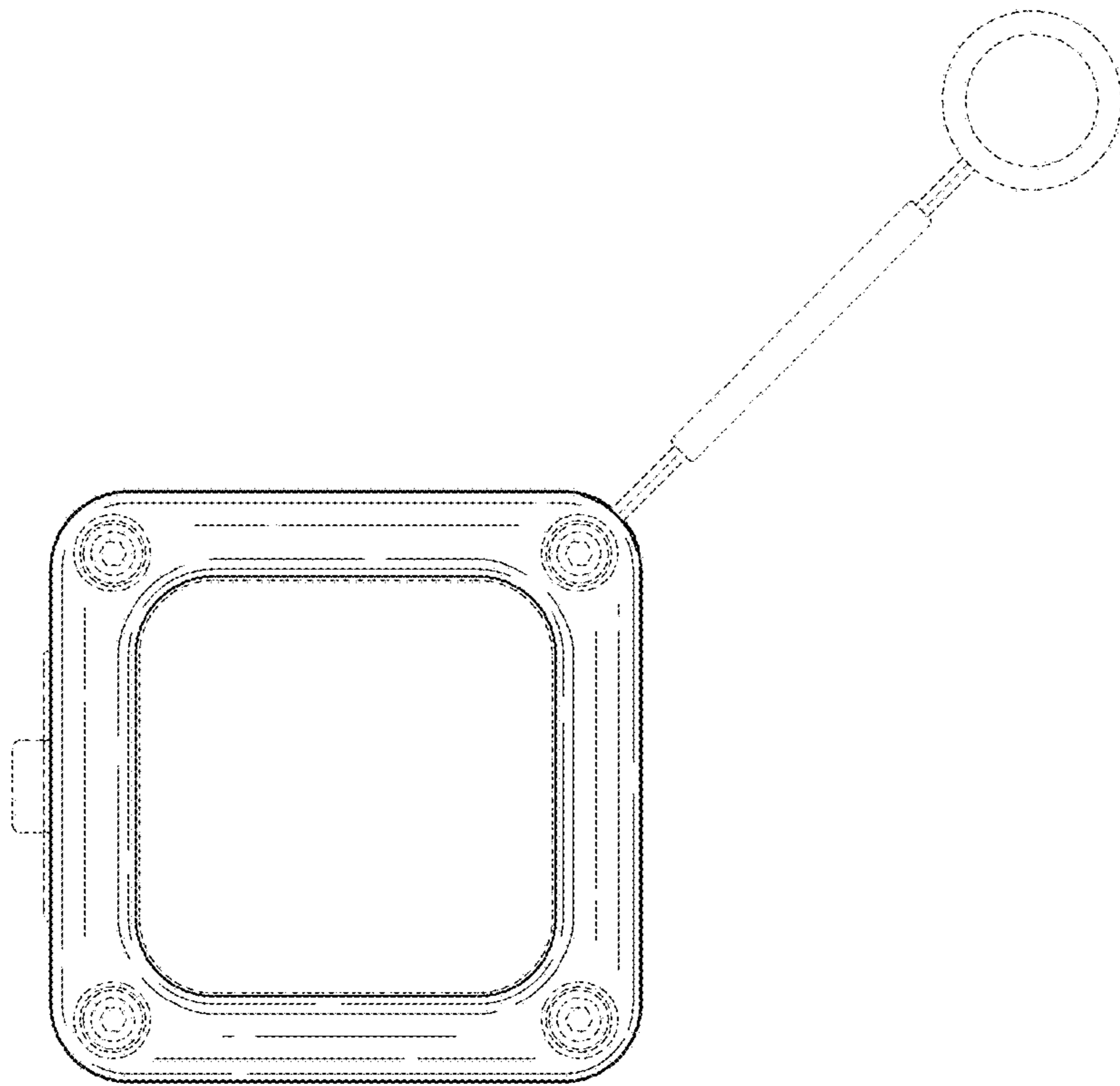


FIG. 2

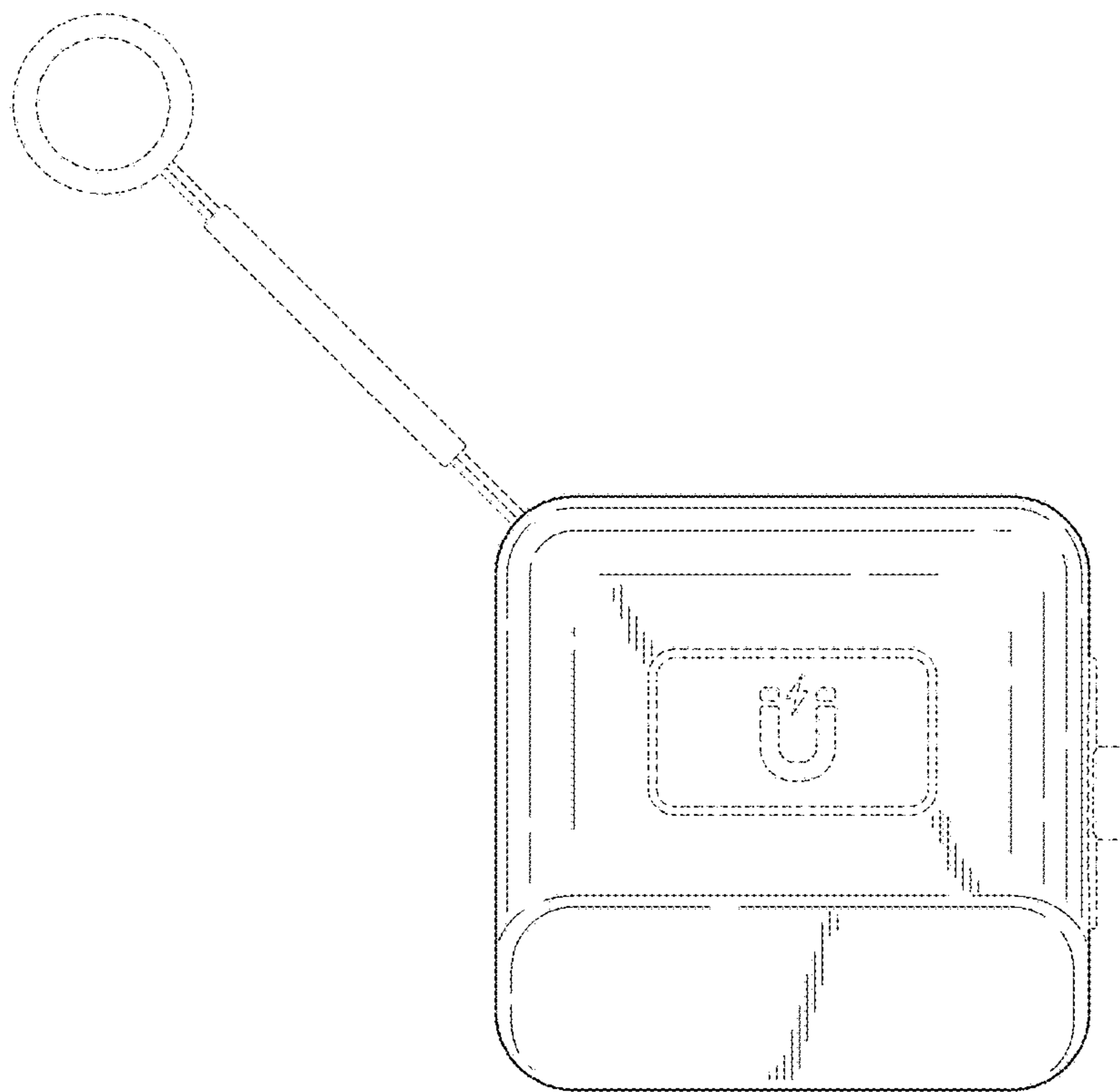


FIG. 3

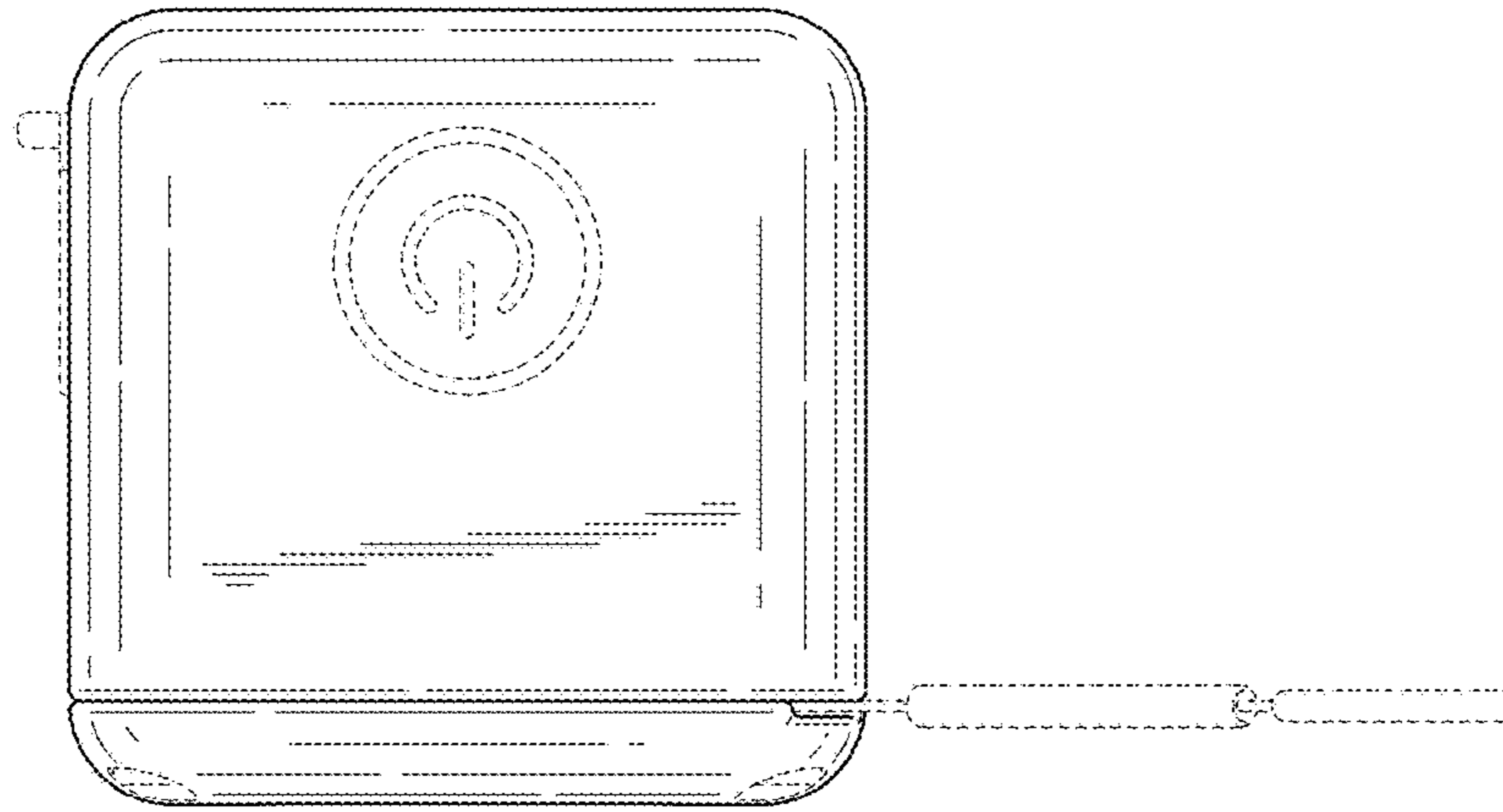


FIG. 4

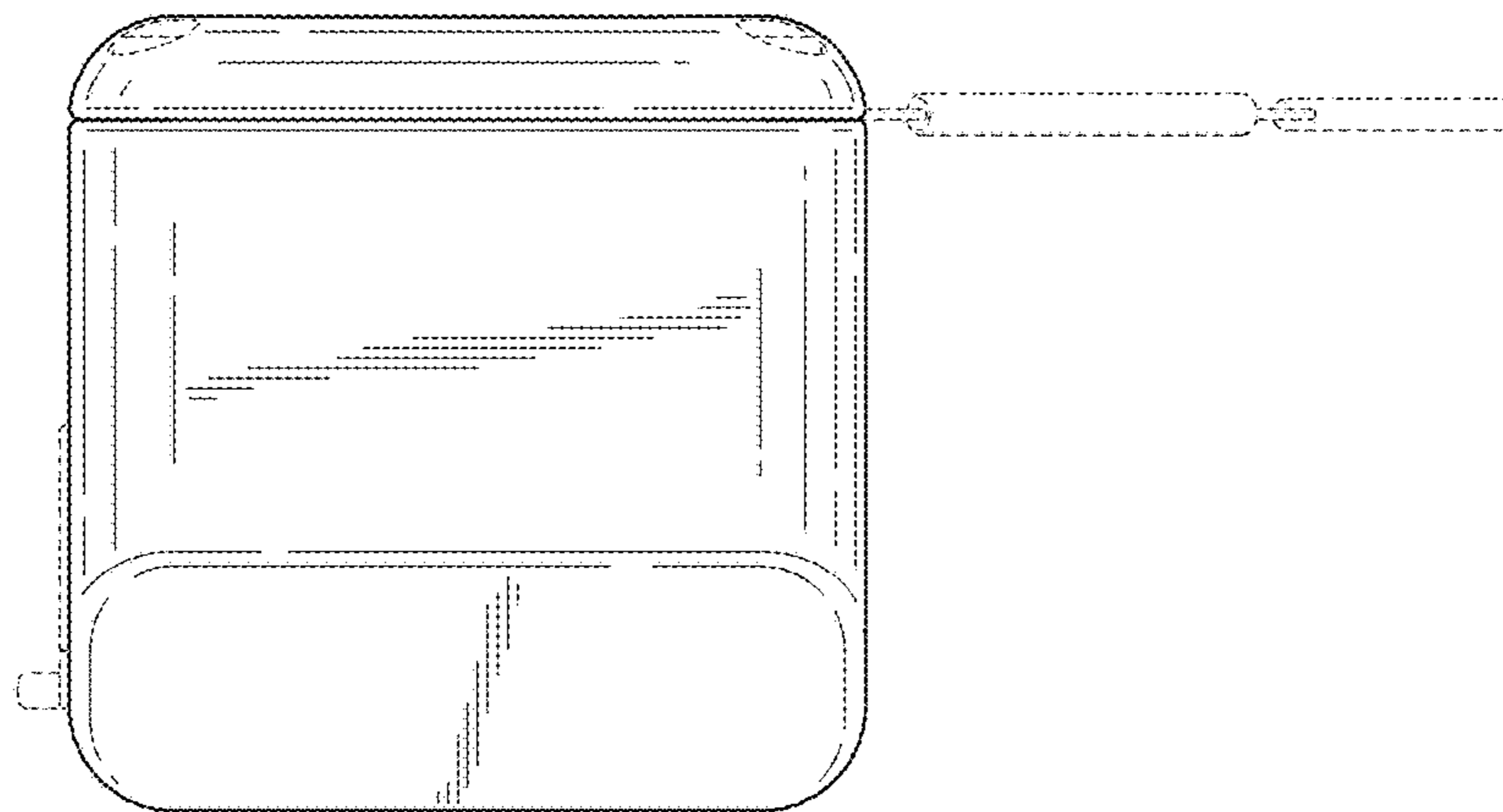


FIG. 5

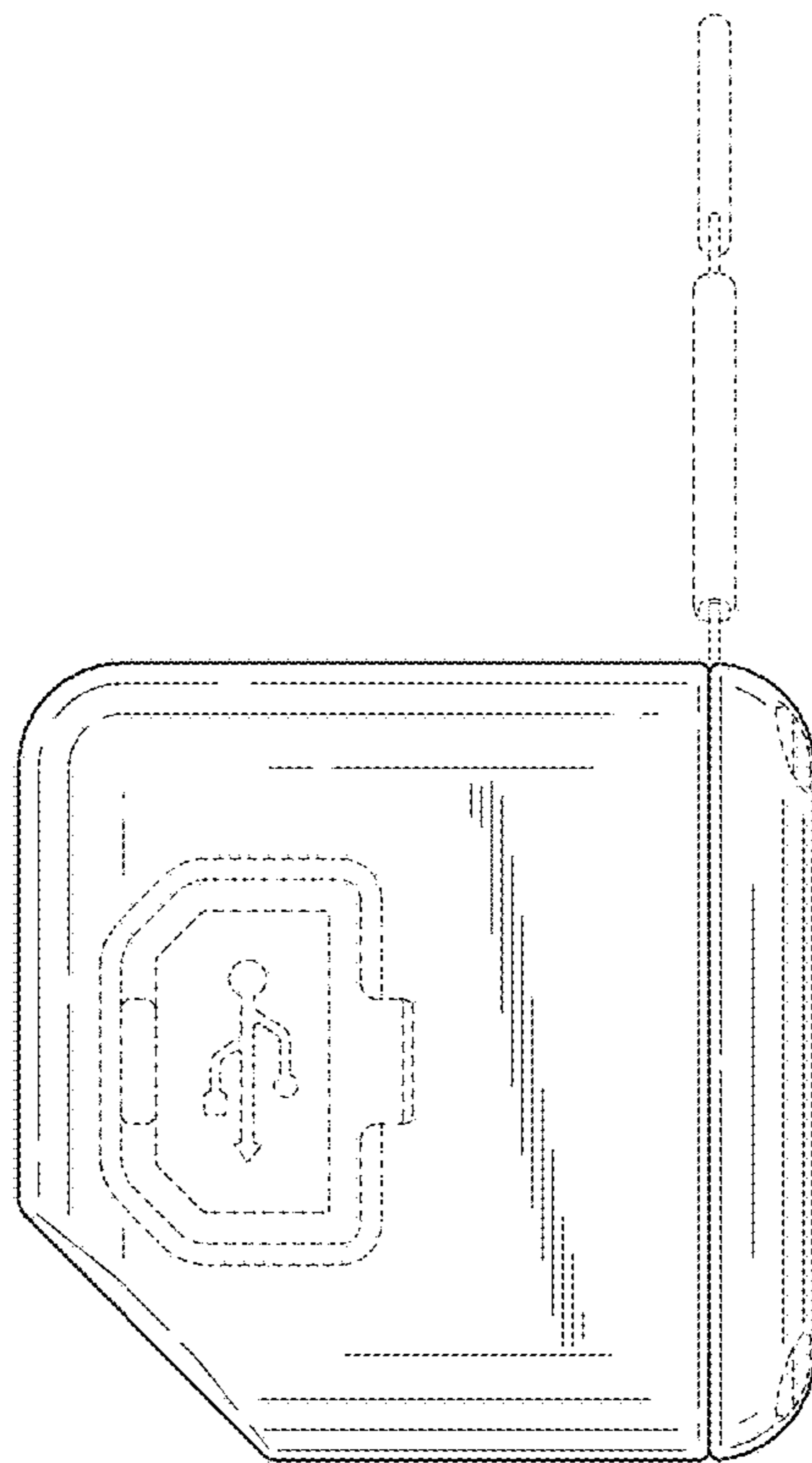


FIG. 6

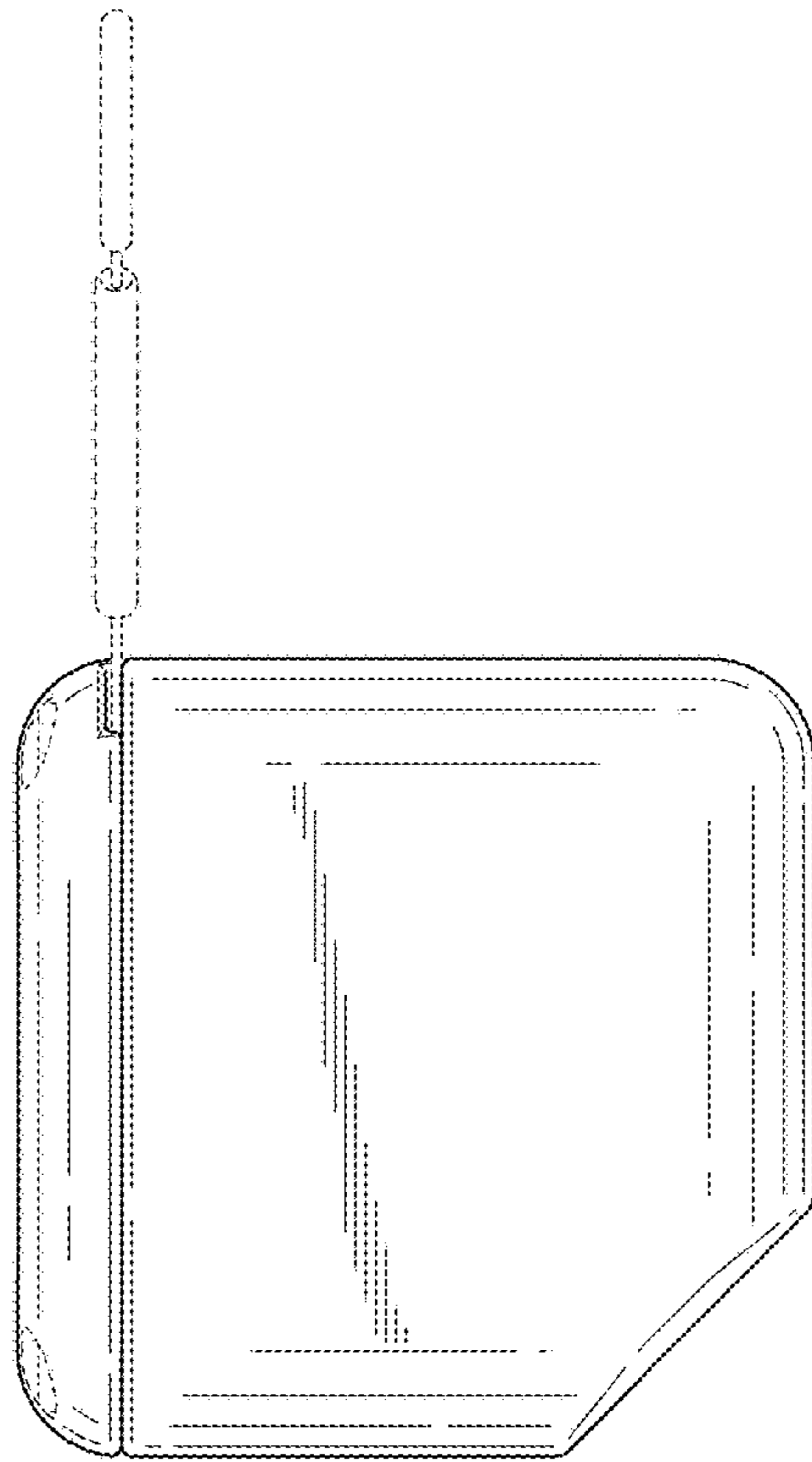


FIG. 7