



US00D858829S

(12) **United States Design Patent** (10) **Patent No.:** **US D858,829 S**
Satou (45) **Date of Patent:** **** Sep. 3, 2019**

(54) **FRONT COMBINATION LAMP FOR AN AUTOMOBILE**

(71) Applicant: **HINO MOTORS, LTD.**, Tokyo (JP)

(72) Inventor: **Teruo Satou**, Hino (JP)

(73) Assignee: **HINO MOTORS, LTD.**, Hino-Shi, Tokyo (JP)

(**) Term: **15 Years**

(21) Appl. No.: **35/505,611**

(22) Filed: **Mar. 2, 2018**

(80) **Hague Agreement Data**

Int. Filing Date: **Mar. 2, 2018**

Int. Reg. No.: **DM/100112**

Int. Reg. Date: **Mar. 2, 2018**

Int. Reg. Pub. Date: **Sep. 7, 2018**

(51) **LOC (12) Cl.** **26-06**

(52) **U.S. Cl.**
USPC **D26/28**

(58) **Field of Classification Search**
USPC D26/72, 74, 76, 78-83, 85, 86, 88, 90, D26/93, 111, 113, 118, 119, 120, 121, D26/122, 138, 139, 140, 141, 142, 152
CPC F21S 2/00; F21S 4/00; F21S 4/003; F21S 4/005; F21S 4/006; F21S 4/007; F21S 4/008; F21S 6/00; F21S 8/00; F21S 8/024; F21S 8/026; F21S 8/031; F21S 8/033; F21S 8/035-037; F21S 8/04; F21S 8/043; F21S 8/063

See application file for complete search history.

(56) **References Cited**

U.S. PATENT DOCUMENTS

D507,362 S *	7/2005	Minami	D26/28
D518,197 S *	3/2006	Osawa	D26/28
D522,151 S *	5/2006	Nakamura	D26/28
D697,647 S *	1/2014	Wada	D26/28
D705,466 S *	5/2014	Wada	D26/28
D720,870 S *	1/2015	Lim	D26/28
D749,763 S *	2/2016	Sa	D26/28
D753,325 S *	4/2016	Diephuis	D26/28
D758,626 S *	6/2016	Sperling	D26/28
D761,981 S *	7/2016	Tsutamori	D26/28
D769,484 S *	10/2016	Morikawa	D26/28
D783,189 S *	4/2017	Nishii	D26/28
D795,475 S *	8/2017	Yang	D26/28
D801,559 S *	10/2017	Kinoshita	D26/28
D812,790 S *	3/2018	Kanno	D26/28
D815,768 S *	4/2018	Park	D26/28

* cited by examiner

Primary Examiner — Natasha Vujcic
(74) *Attorney, Agent, or Firm* — Leydig Voit & Mayer

(57) **CLAIM**

The ornamental design for a front combination lamp for an automobile, as shown and described.

DESCRIPTION

1. Front combination lamp for an automobile

- 1.1 : Front
- 1.2 : Rear view
- 1.3 : Top plan view
- 1.4 : Bottom
- 1.5 : Left side view
- 1.6 : Right side view
- 1.7 : Perspective

Front glass of the present article is transparent.

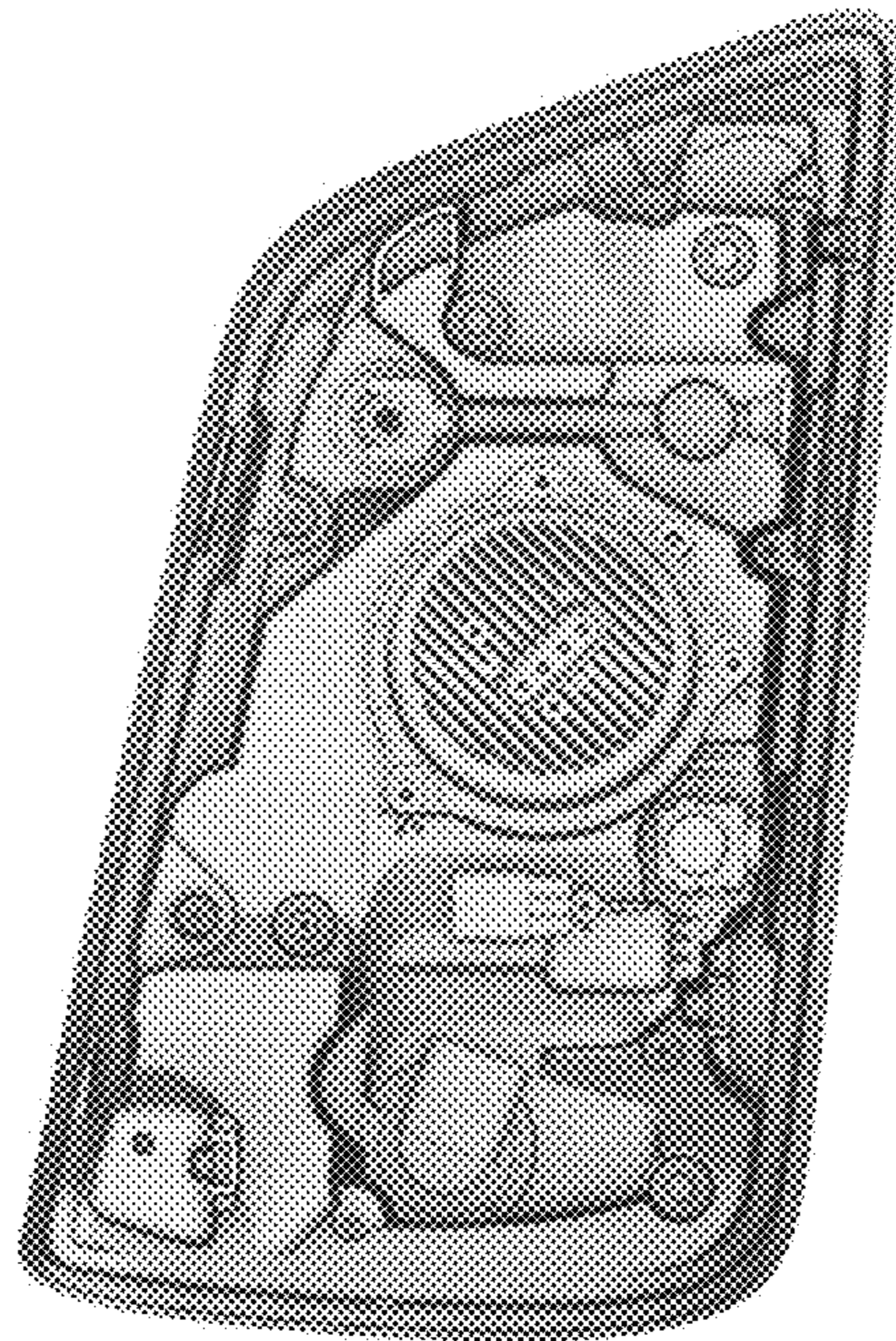
1 Claim, 7 Drawing Sheets



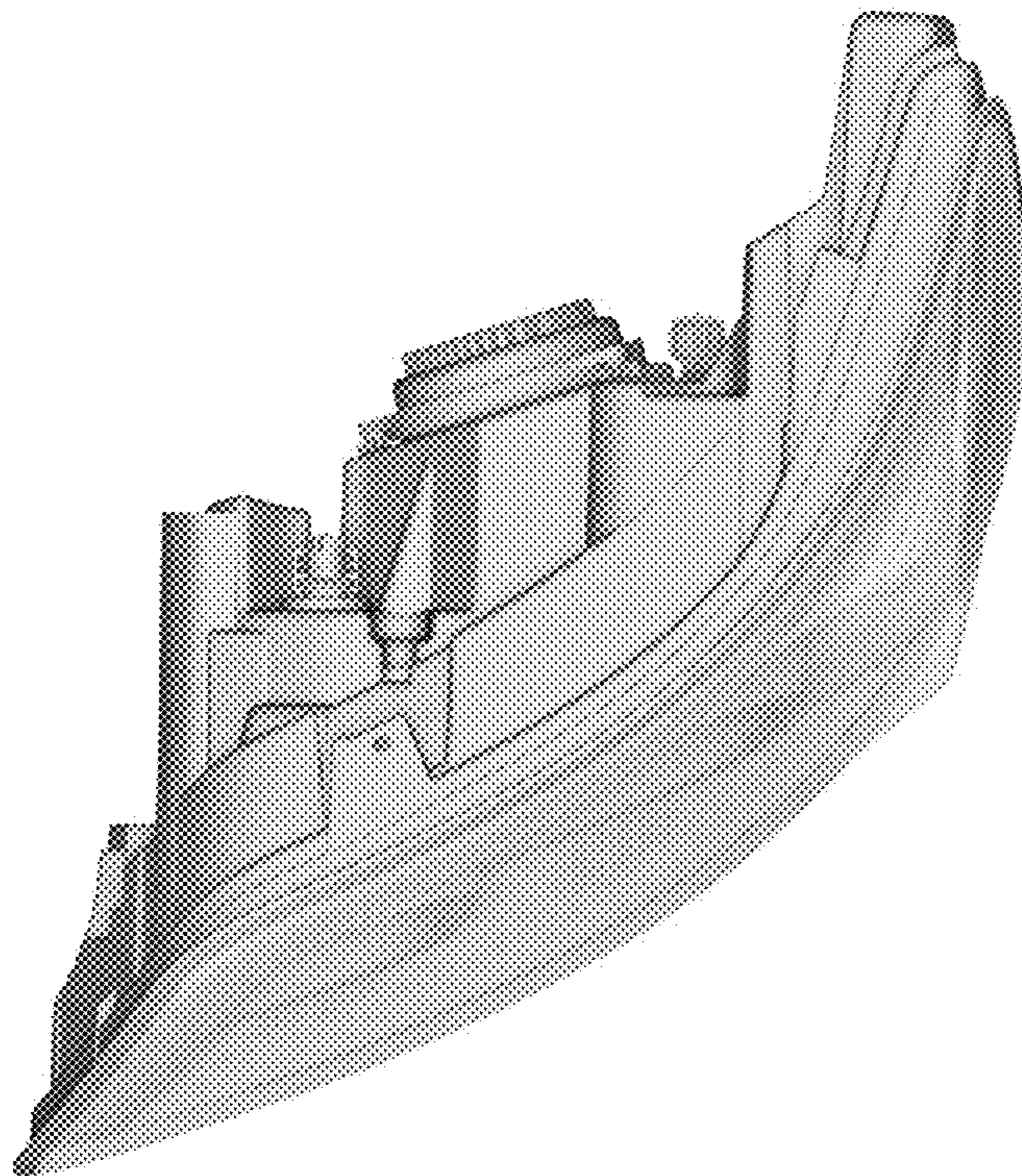


1.1

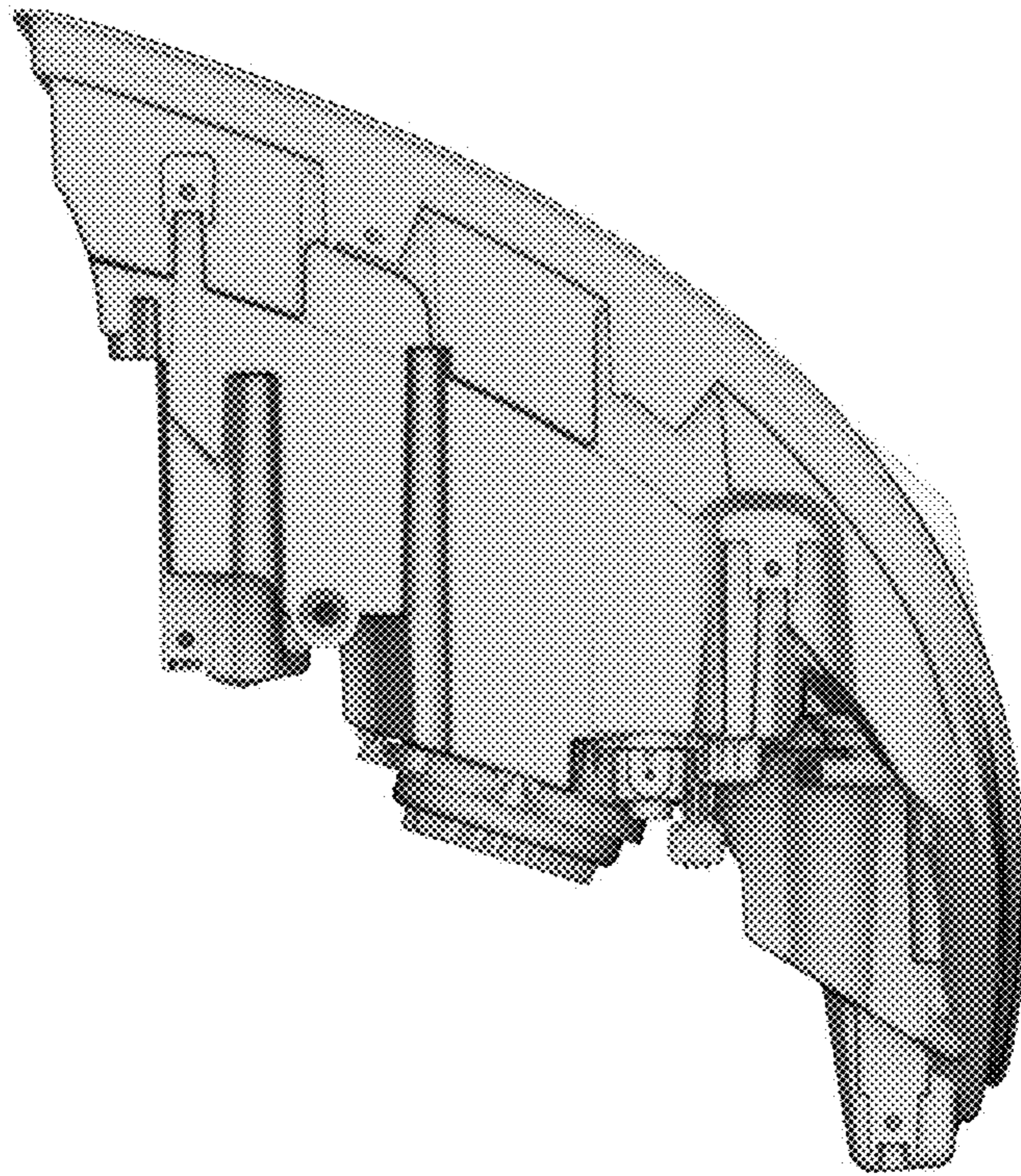
1.2

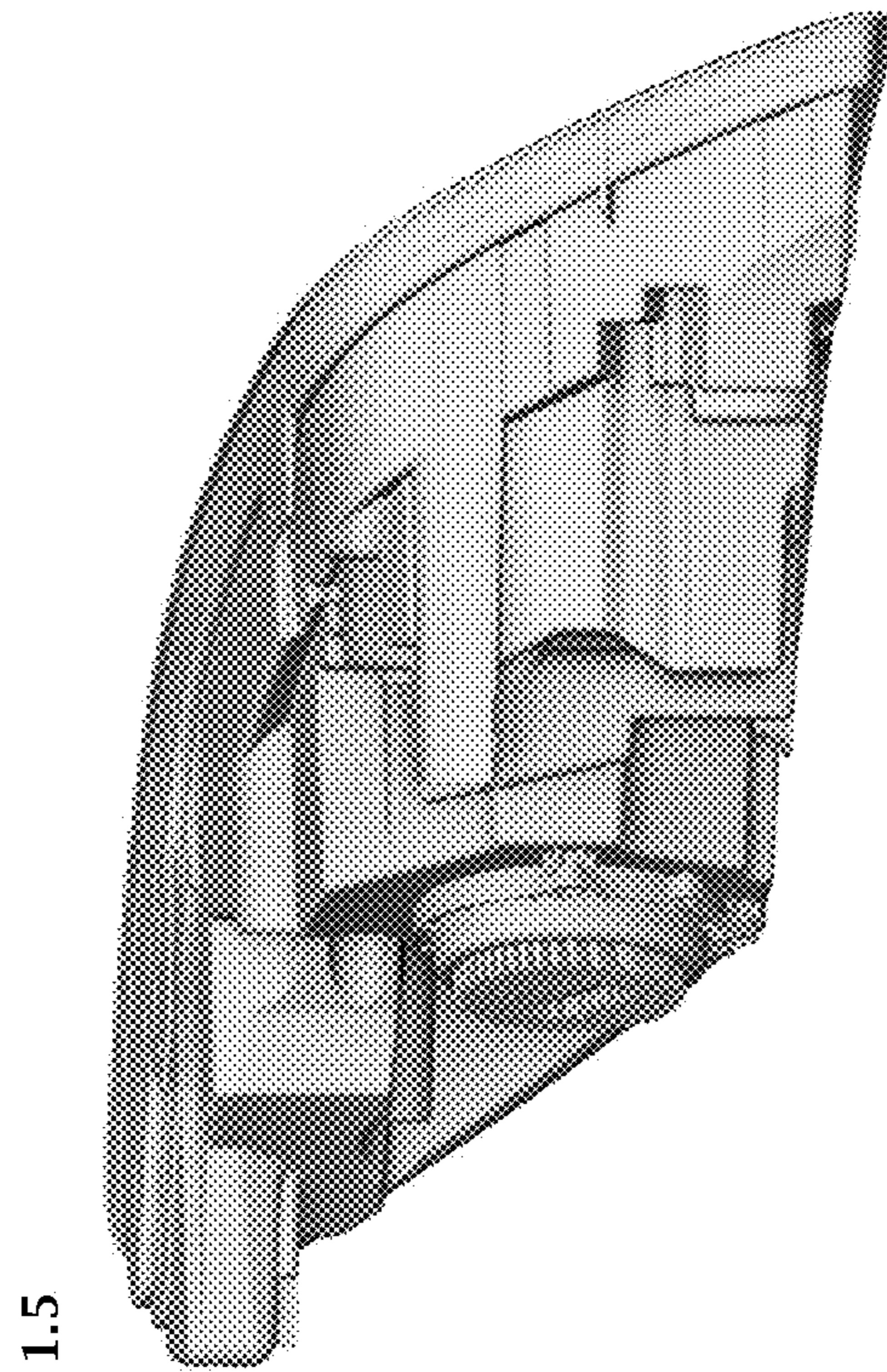


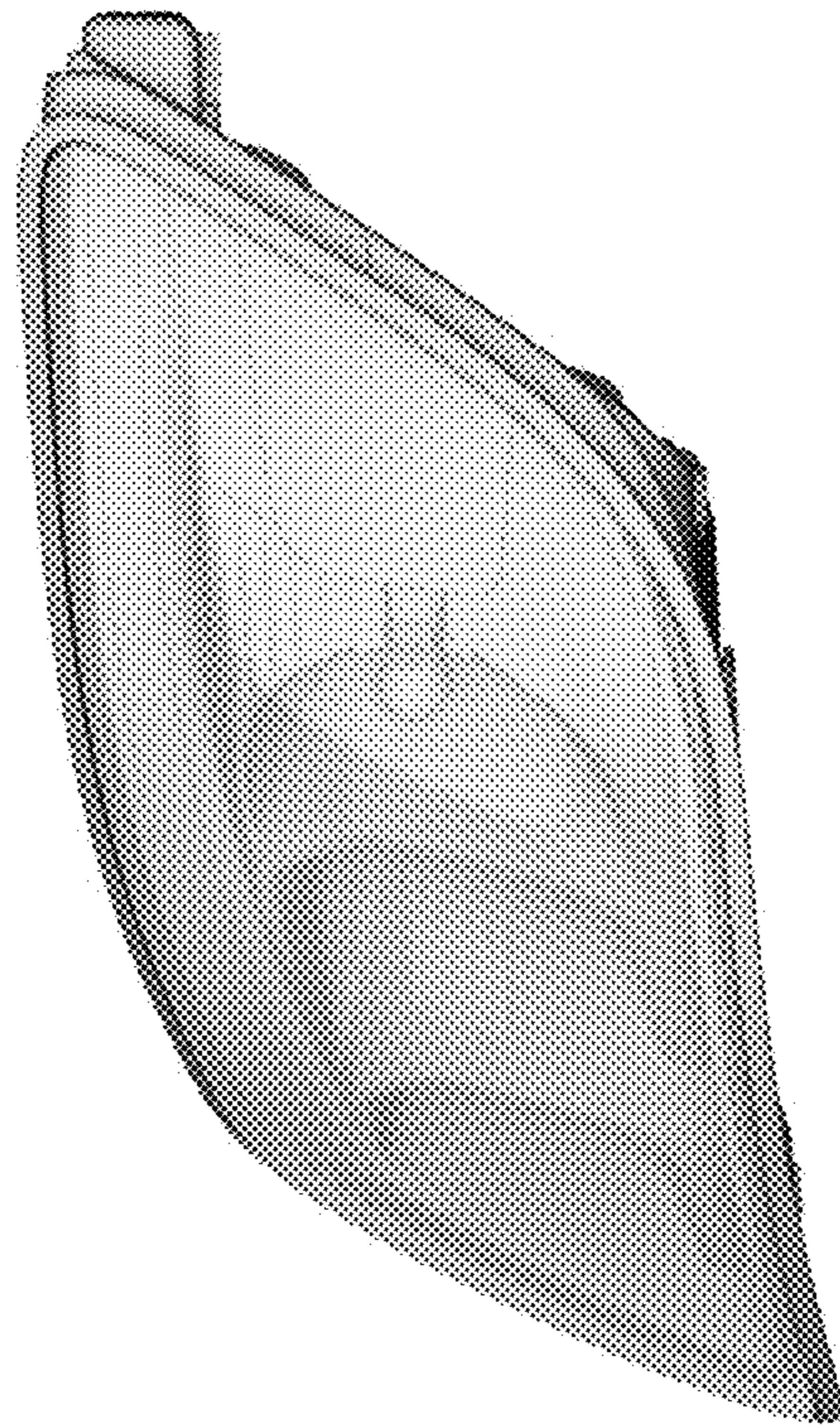
1.3



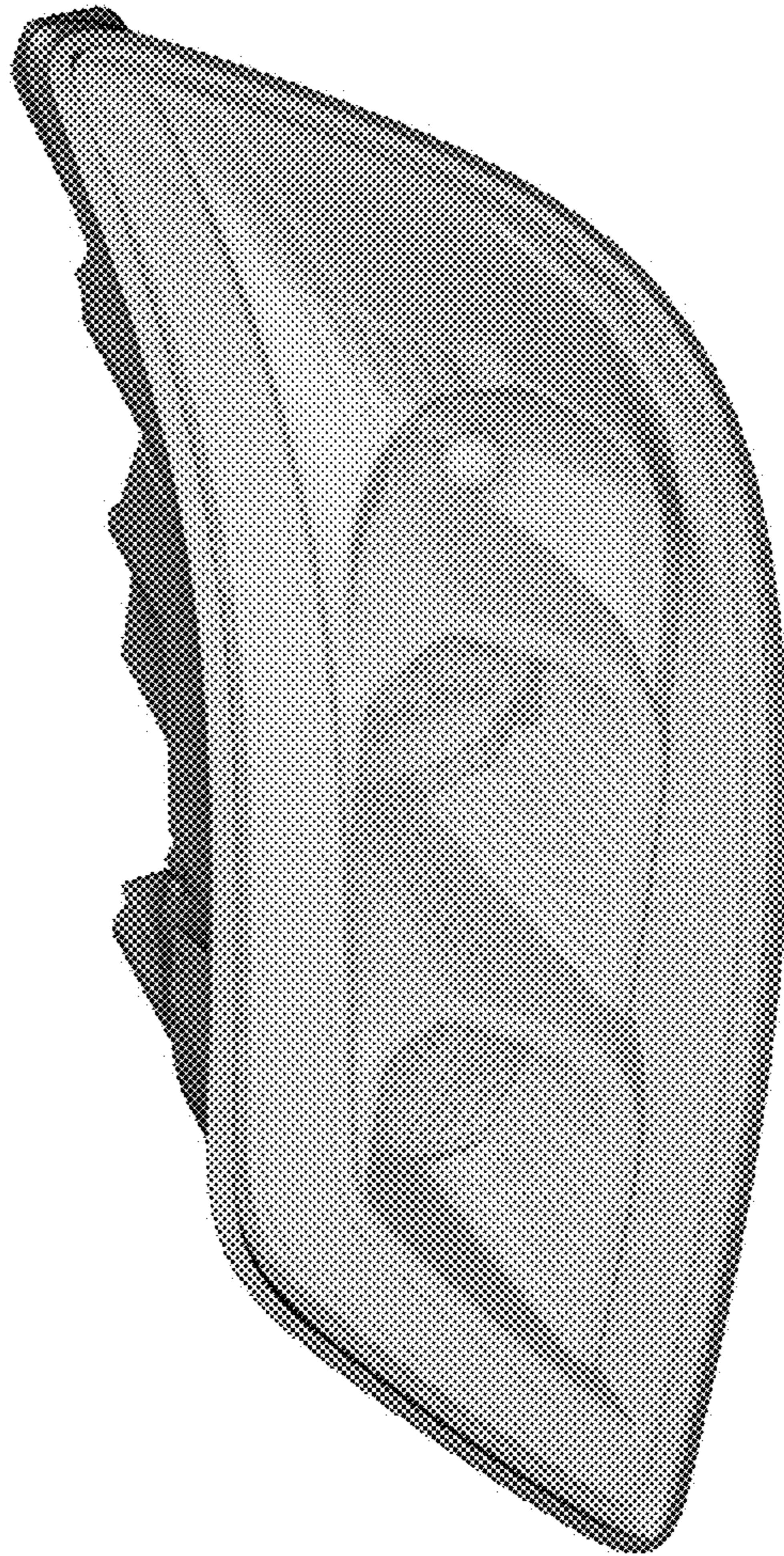
1.4







1.6



1.7