



US00D858828S

(12) **United States Design Patent** (10) **Patent No.:** **US D858,828 S**  
**Song et al.** (45) **Date of Patent:** **\*\* Sep. 3, 2019**

(54) **ROOM LAMP FOR VEHICLES**

8/024; F21S 8/026; F21S 8/031; F21S 8/033; F21S 8/035-037; F21S 8/04; F21S 8/043; F21S 8/063

(71) Applicant: **LG ELECTRONICS INC.**, Seoul (KR)

See application file for complete search history.

(72) Inventors: **Seunghwan Song**, Seoul (KR); **Seungmo Kang**, Seoul (KR); **Hansoo Kim**, Seoul (KR)

(56) **References Cited**

U.S. PATENT DOCUMENTS

(73) Assignee: **LG ELECTRONICS INC.**, Seoul (KR)

D315,216	S	*	3/1991	Kelley	.....	D26/28
D391,651	S	*	3/1998	Sacco	.....	D26/28
D405,550	S	*	2/1999	Sacco	.....	D26/28
D479,349	S	*	9/2003	Kuo	.....	D26/28
D498,858	S	*	11/2004	Pfeiffer	.....	D26/28
D506,015	S	*	6/2005	Pfeiffer	.....	D26/28
D549,364	S	*	8/2007	Hovind	.....	D26/28
D549,365	S	*	8/2007	Hovind	.....	D26/28
D549,366	S	*	8/2007	Hovind	.....	D26/28
D608,040	S	*	1/2010	Guercio	.....	D26/71
D660,496	S	*	5/2012	Akdag	.....	D26/71
D672,491	S	*	12/2012	Shin	.....	D26/71
D743,083	S	*	11/2015	Bembridge	.....	D26/71

(\*\*) Term: **15 Years**

\* cited by examiner

(21) Appl. No.: **35/505,370**

*Primary Examiner* — Natasha Vujcic  
(74) *Attorney, Agent, or Firm* — Birch, Stewart, Kolasch & Birch, LLP

(22) Filed: **Jan. 25, 2018**

(80) **Hague Agreement Data**

Int. Filing Date: **Jan. 25, 2018**  
Int. Reg. No.: **DM/099782**  
Int. Reg. Date: **Jan. 25, 2018**  
Int. Reg. Pub. Date: **Jul. 27, 2018**

(57) **CLAIM**

The ornamental design for a room lamp for vehicles, as shown and described.

(30) **Foreign Application Priority Data**

Jul. 26, 2017 (KR) ..... 30-2017-0034420

**DESCRIPTION**

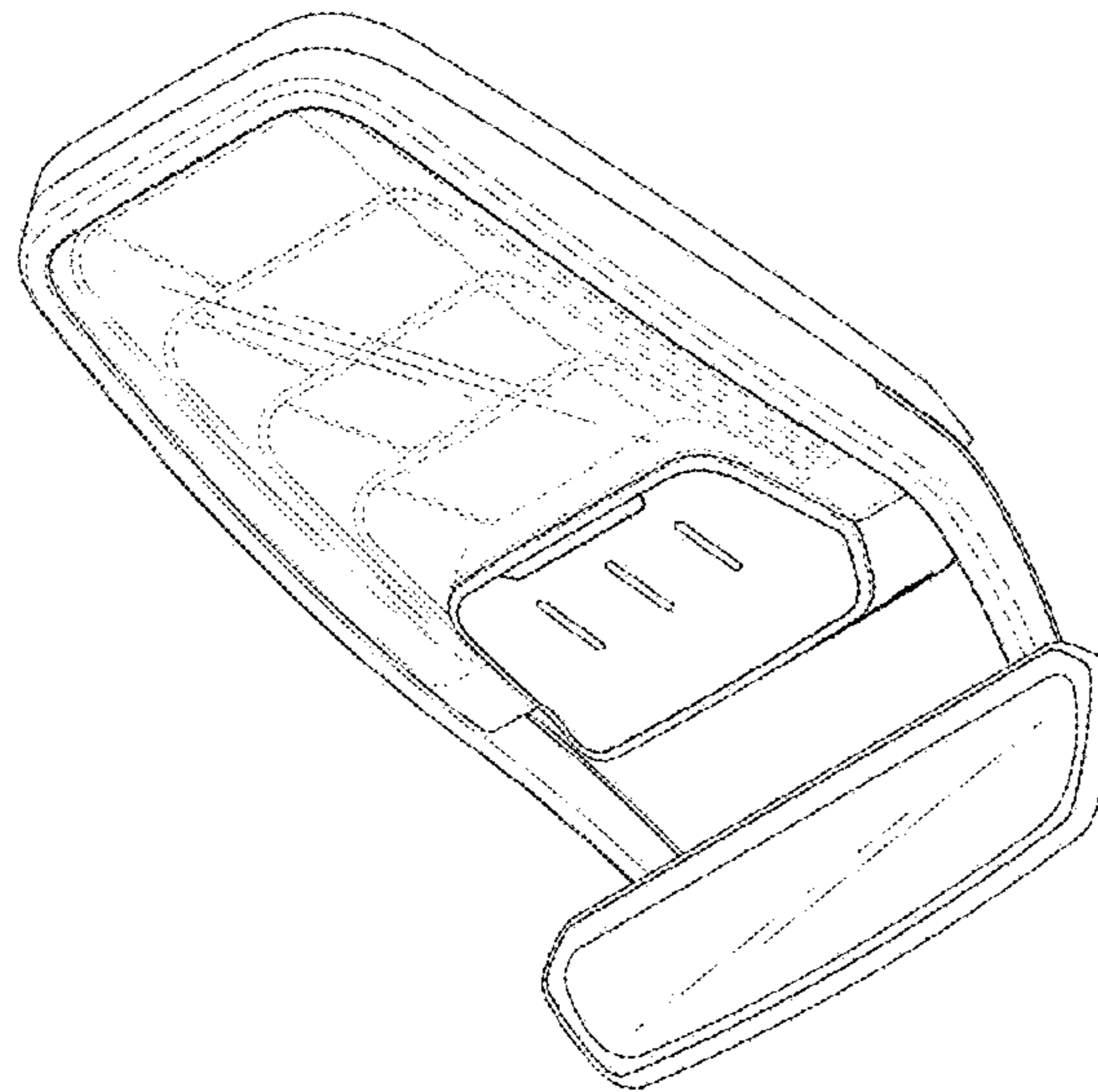
(51) **LOC (12) Cl.** ..... **26-06**

(52) **U.S. Cl.**  
USPC ..... **D26/28**

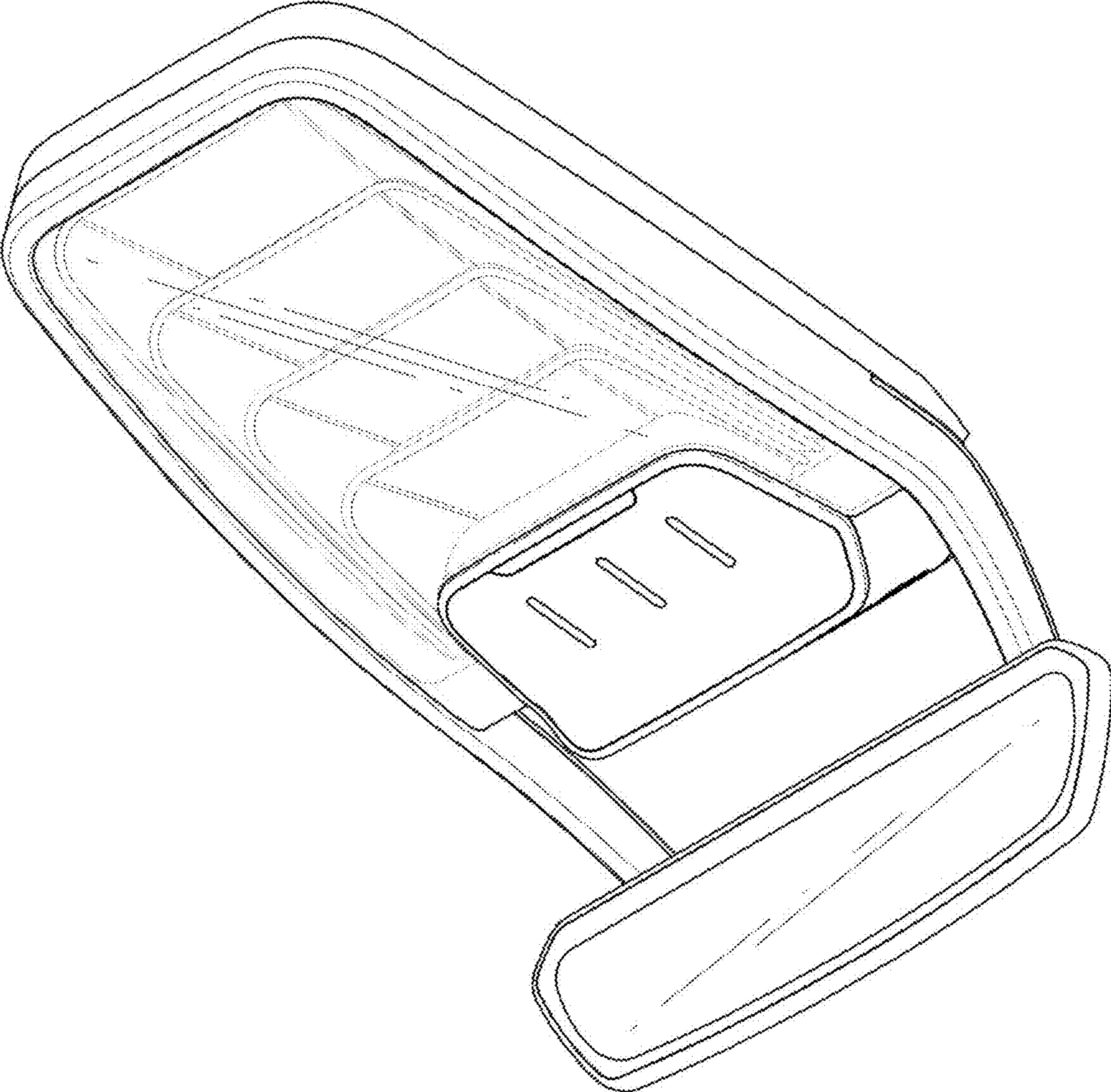
(58) **Field of Classification Search**  
USPC ..... D26/72, 74, 76, 78-83, 85, 86, 88, 90, D26/93, 111, 113, 118, 119, 120, 121, D26/122, 138, 139, 140, 141, 142, 152  
CPC ..... F21S 2/00; F21S 4/00; F21S 4/003; F21S 4/005; F21S 4/006; F21S 4/007; F21S 4/008; F21S 6/00; F21S 8/00; F21S

- 1. Room lamp for vehicles
- 1.1 : Perspective
- 1.2 : Front
- 1.3 : Back
- 1.4 : Left
- 1.5 : Right
- 1.6 : Top
- 1.7 : Bottom

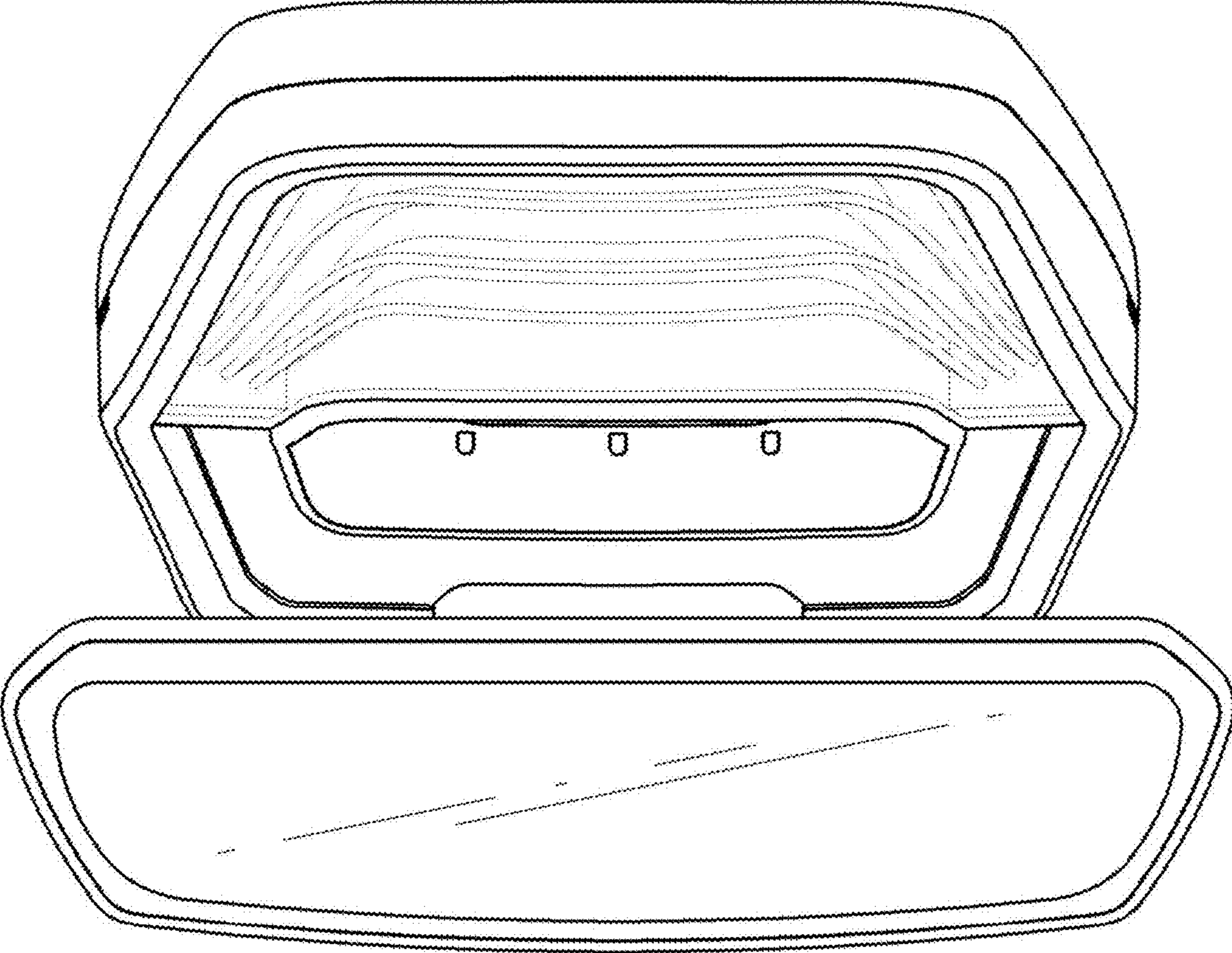
**1 Claim, 7 Drawing Sheets**



1.1

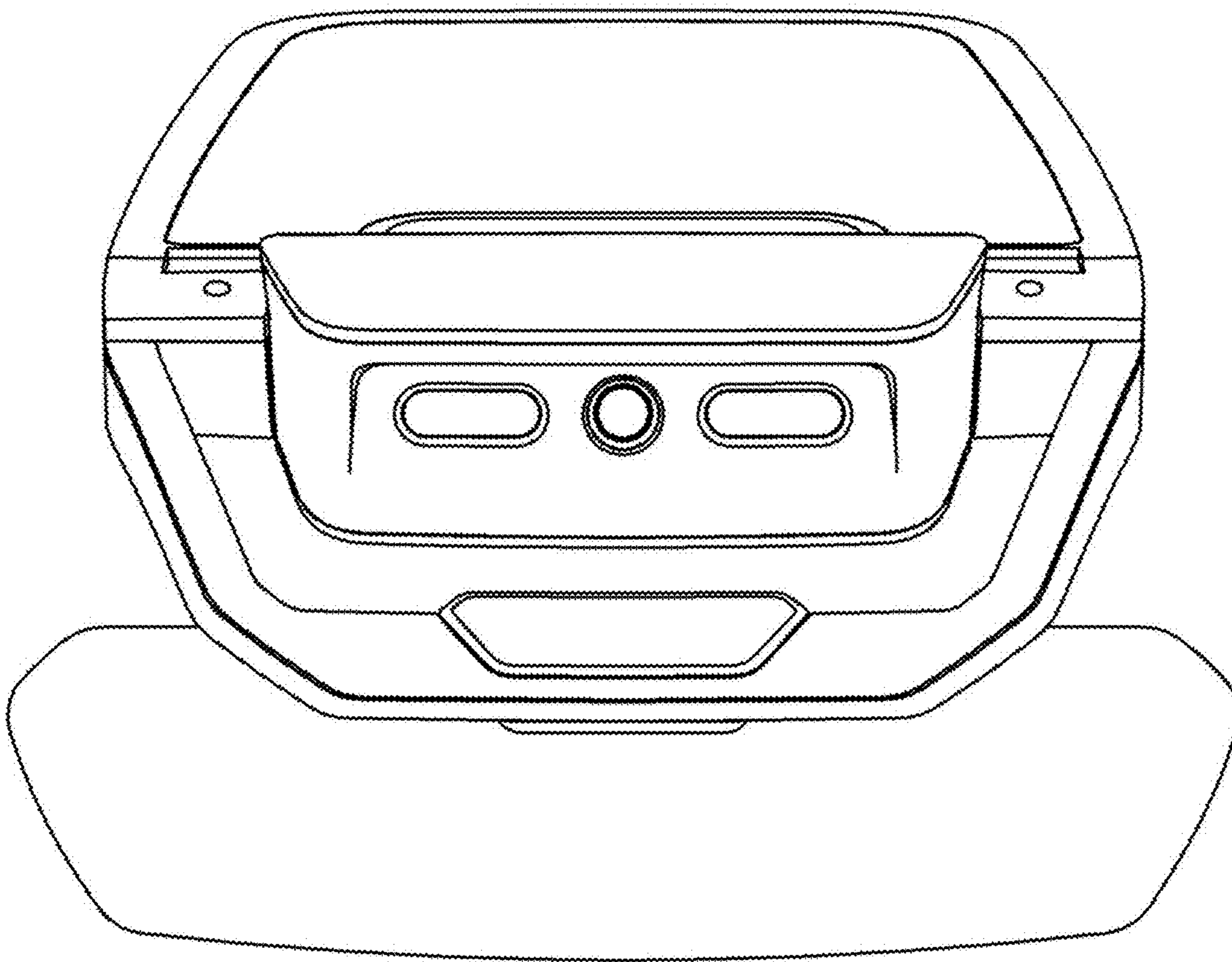


1.2

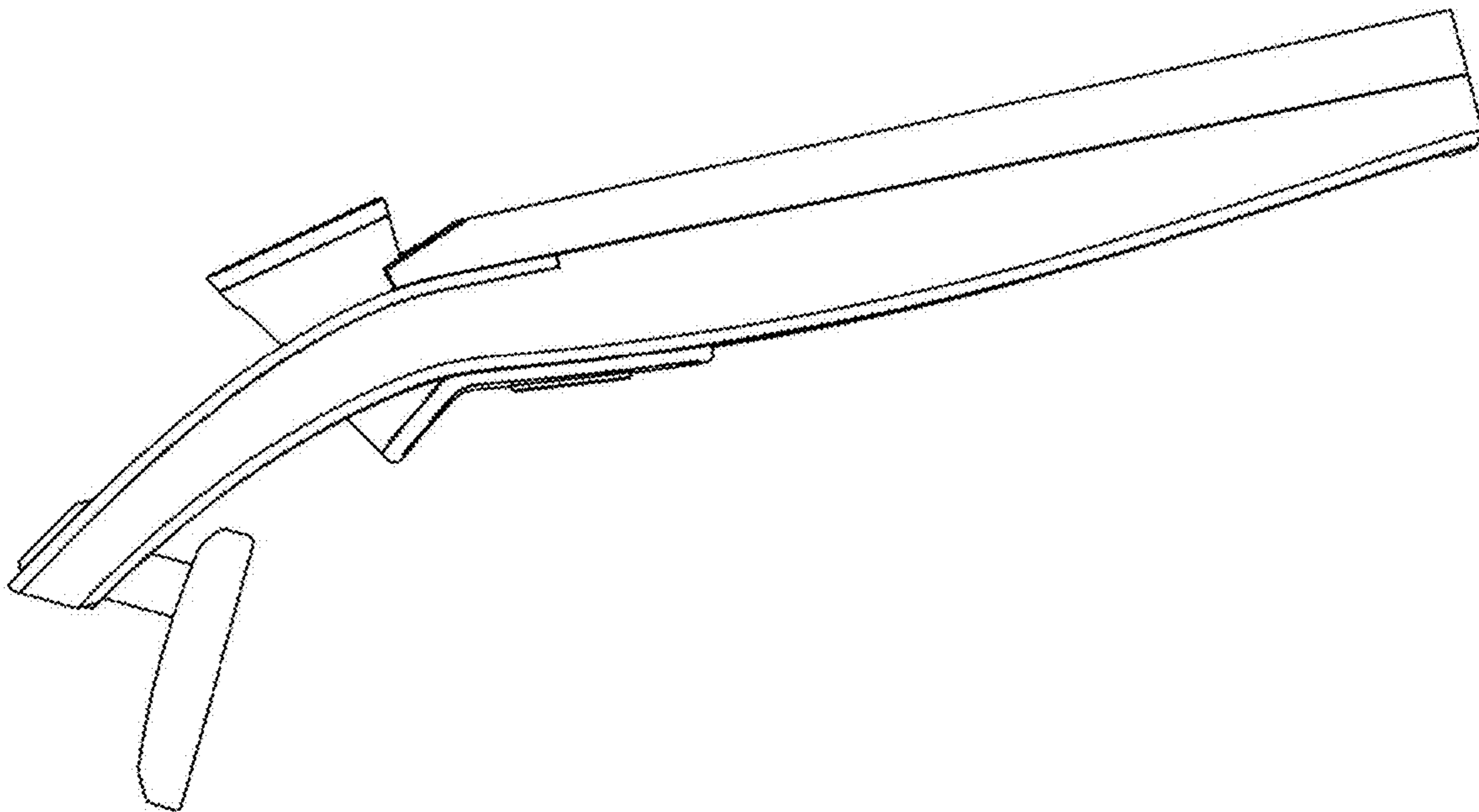


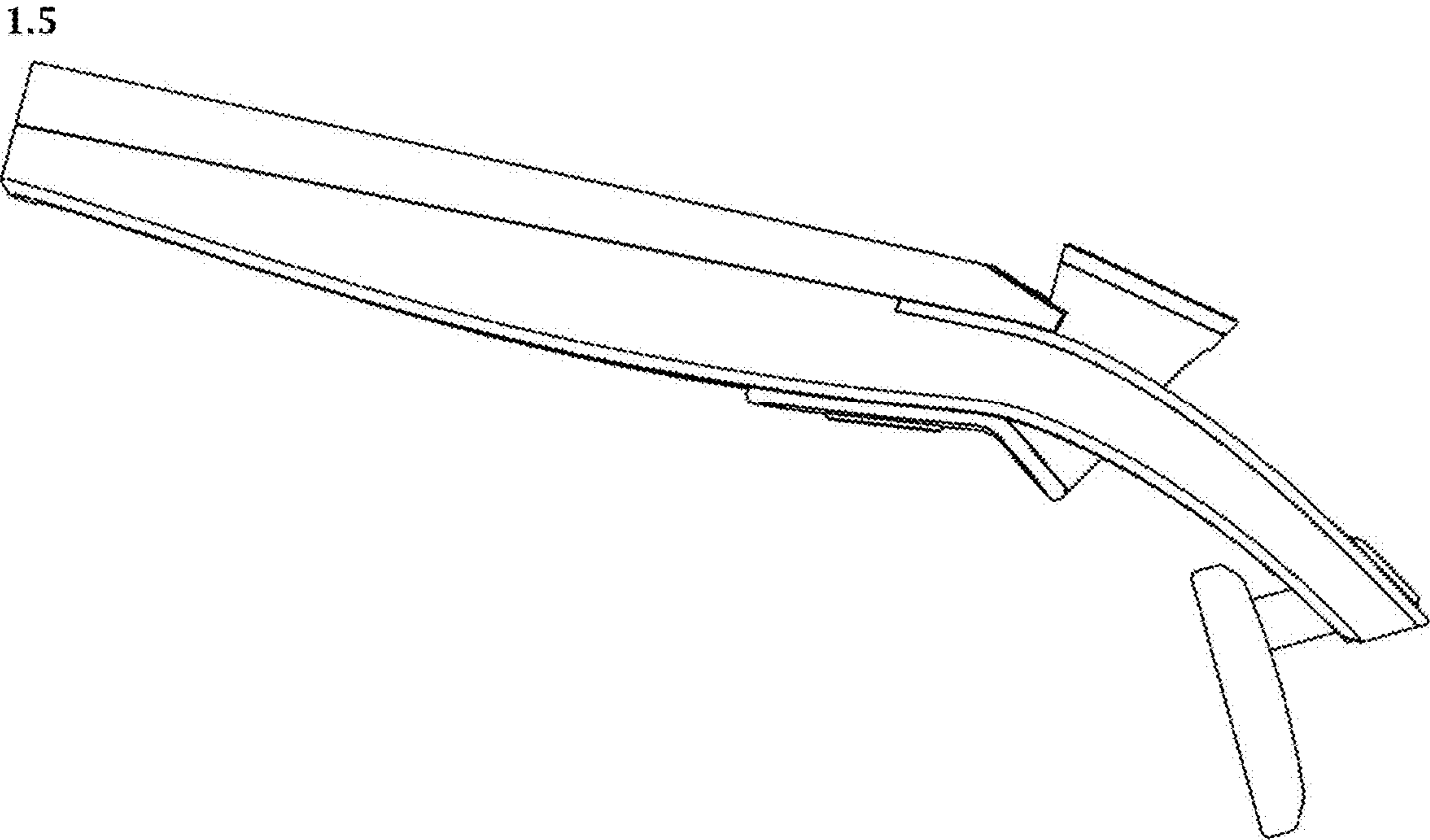


1.3

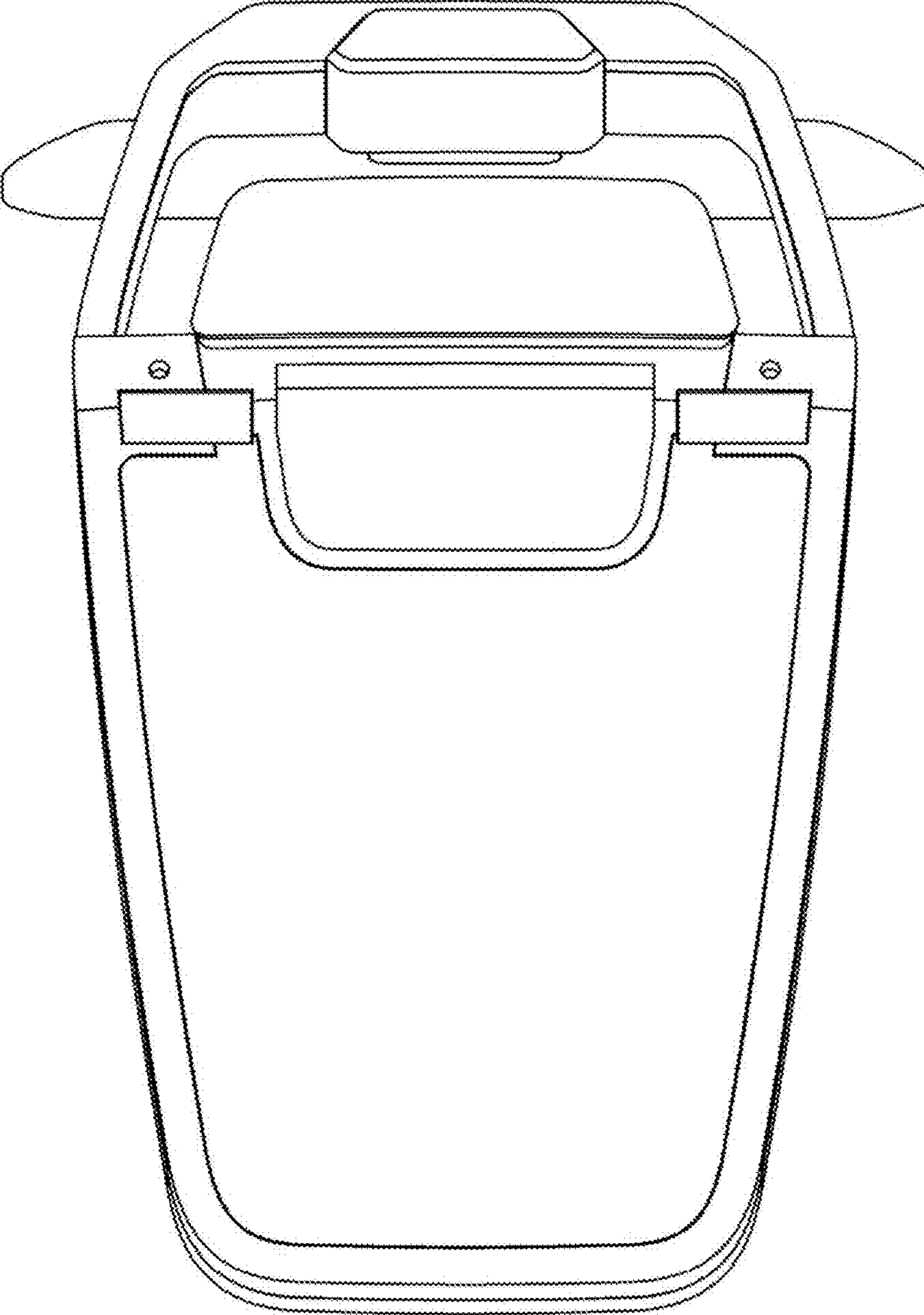


1.4





1.6



1.7

