



US00D858825S

(12) **United States Design Patent** (10) **Patent No.:** **US D858,825 S**
Dinant et al. (45) **Date of Patent:** **** Sep. 3, 2019**

(54) **LUMINOUS DEVICE FOR A VEHICLE**

(71) Applicant: **VALEO VISION**, Bobigny (FR)

(72) Inventors: **Franck Dinant**, Virginal (BE); **Dirkie Sacchet**, Ecaussinnes (BE); **Florestan Debert**, Nomain (FR)

(73) Assignee: **VALEO VISION**, Bobigny (FR)

(**) Term: **15 Years**

(21) Appl. No.: **35/503,259**

(22) Filed: **Dec. 28, 2016**

(80) **Hague Agreement Data**

Int. Filing Date: **Dec. 28, 2016**

Int. Reg. No.: **DM/094092**

Int. Reg. Date: **Dec. 28, 2016**

Int. Reg. Pub. Date: **Jun. 30, 2017**

(51) **LOC (12) Cl.** **26-06**

(52) **U.S. Cl.**

USPC **D26/28**

(58) **Field of Classification Search**

USPC ... D26/3, 28, 76, 78, 79, 80, 81, 82, 83, 85,
D26/86, 88, 90, 93, 111, 113, 118, 119,
D26/120, 121, 122, 138, 139, 140, 141,
D26/142, 152

CPC F21S 2/00; F21S 4/00; F21S 4/003; F21S
4/005; F21S 4/006; F21S 4/007; F21S
4/008; F21S 6/00; F21S 8/00; F21S
8/024; F21S 8/026; F21S 8/031; F21S
8/033; F21S 8/035-037; F21S 8/04; F21S
8/043; F21S 8/063

See application file for complete search history.

(56) **References Cited**

U.S. PATENT DOCUMENTS

D304,622 S * 11/1989 Schmidt D26/36
D485,625 S * 1/2004 Egly D26/28

D496,113 S * 9/2004 Lin D26/28
D546,487 S * 7/2007 Sinkwitz D26/28
D617,017 S * 6/2010 Grebert D26/28
D625,443 S * 10/2010 Herbin D26/28
D626,668 S * 11/2010 Grebert D26/28
D626,670 S * 11/2010 Metzger D26/28
D670,839 S * 11/2012 Smarslik D26/28
D712,079 S * 8/2014 DiPenti F21S 48/321
D26/28
D724,244 S * 3/2015 Hayez D26/28
D750,819 S * 3/2016 Schneider D26/28
D769,481 S * 10/2016 Lai D26/28
D775,381 S * 12/2016 Jacq D26/28
D805,229 S * 12/2017 Morgenstern D26/28

(Continued)

Primary Examiner — Natasha Vujcic

(74) *Attorney, Agent, or Firm* — Oblon, McClelland,
Maier & Neustadt, L.L.P.

(57) **CLAIM**

The ornamental design of a luminous device for a vehicle,
as shown and described.

DESCRIPTION

1. Luminous device for a vehicle

1.1 : Perspective

1.2 : Front

1.3 : Left

1.4 : Right

1.5 : Top

1.6 : Bottom

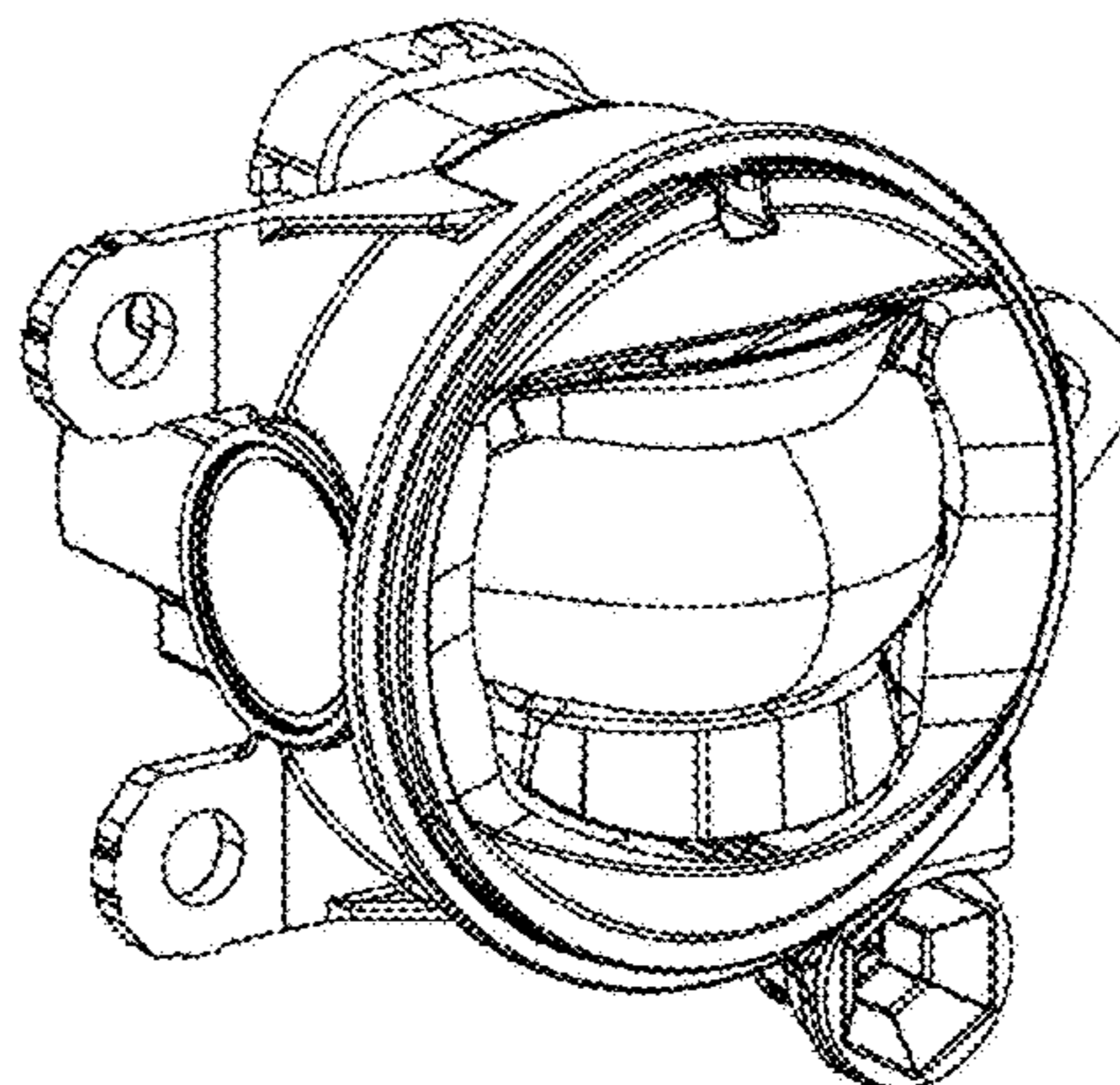
1.7 : Back

1.8 : Perspective

Lighting module for vehicles comprising a housing closed
by means of a transparent glass through which one can see
an optical lens in the middle encased in a mask; the central
lens comprises an oblong central part and two lips situated
above and below the central part.

The broken lines in the drawings illustrate portions of the
luminous device for a vehicle that form no part of the
claimed design.

1 Claim, 8 Drawing Sheets



(56)

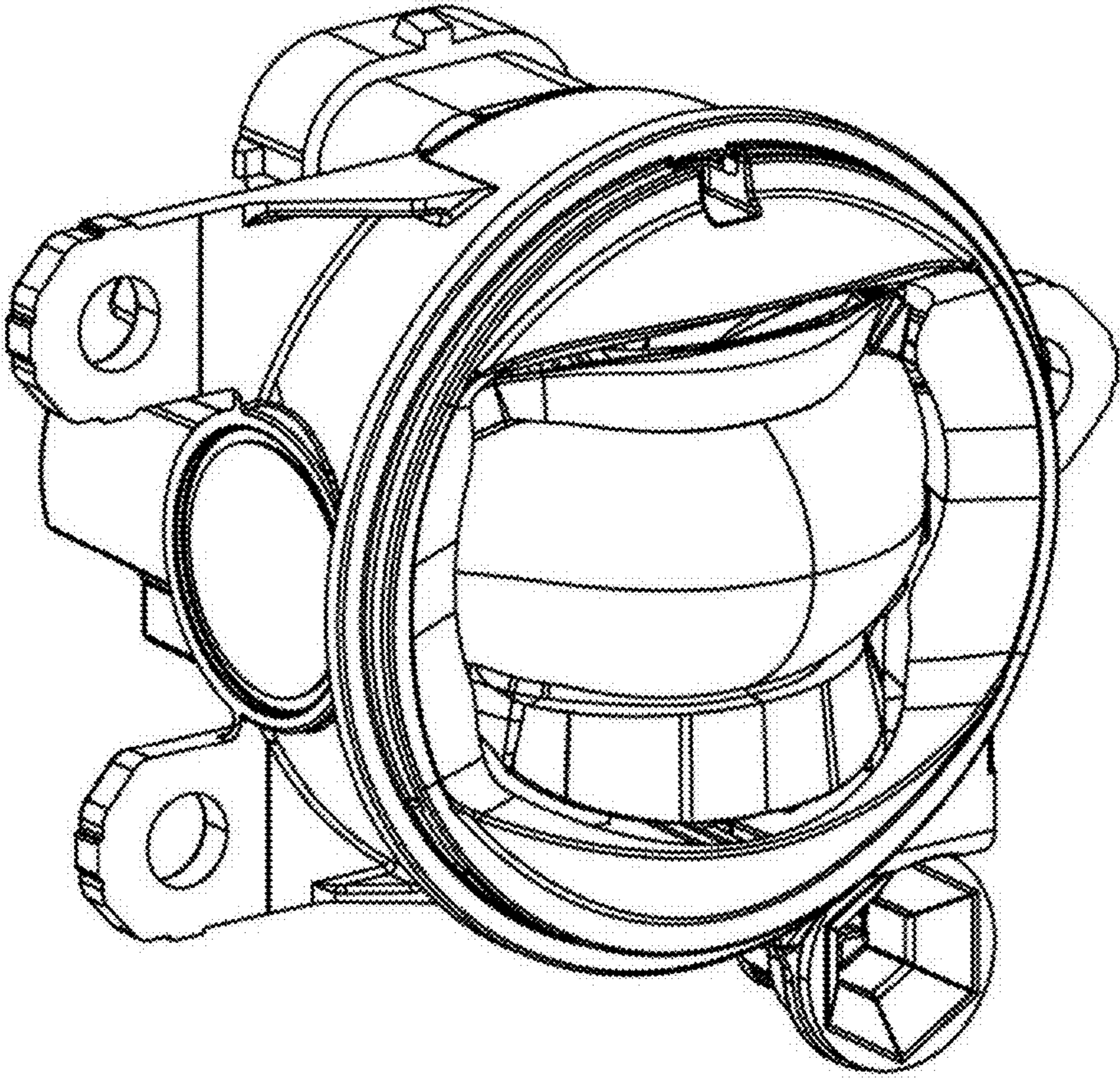
References Cited

U.S. PATENT DOCUMENTS

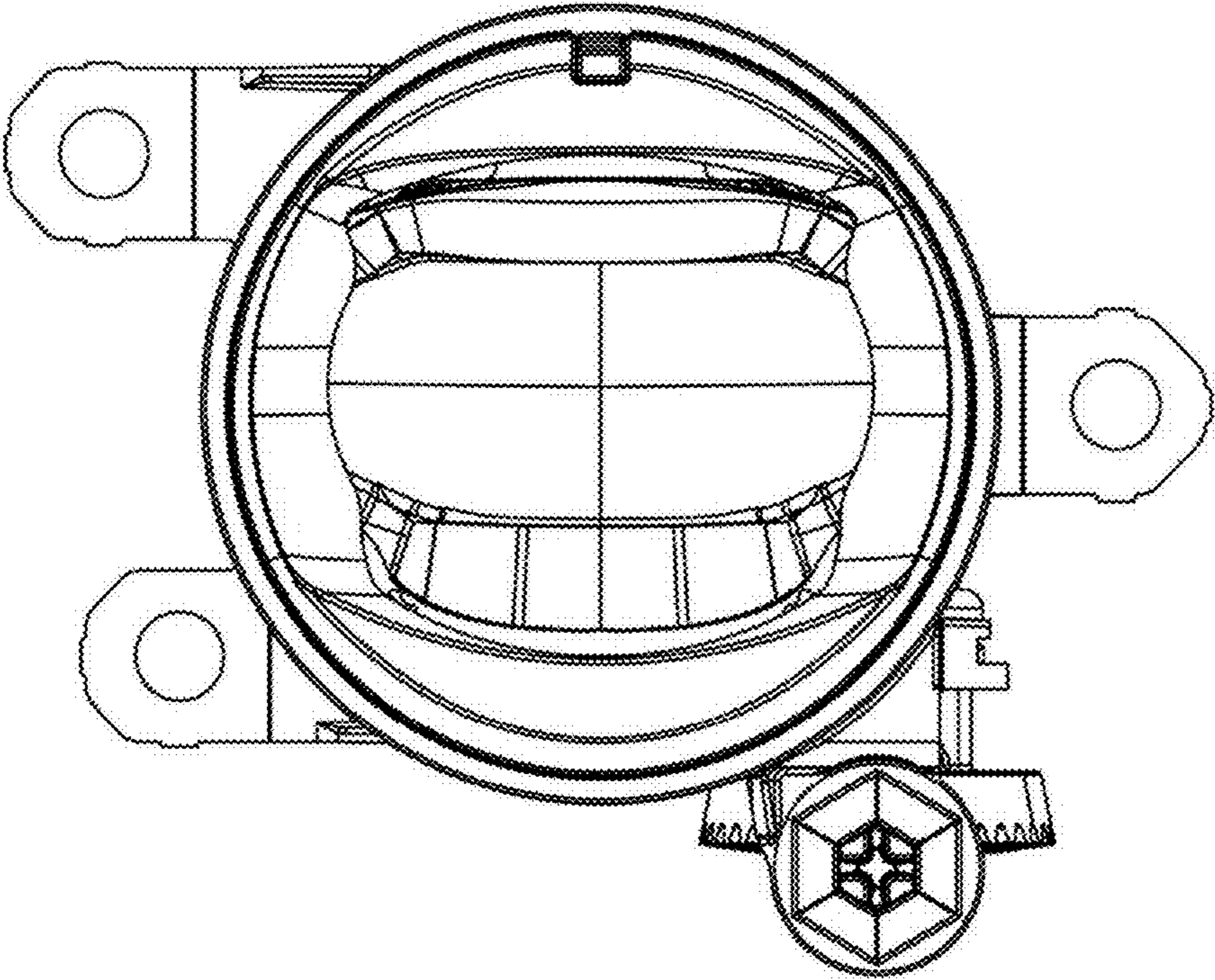
D810,332 S * 2/2018 Jacq D26/28
D810,973 S * 2/2018 Jacq D26/28

* cited by examiner

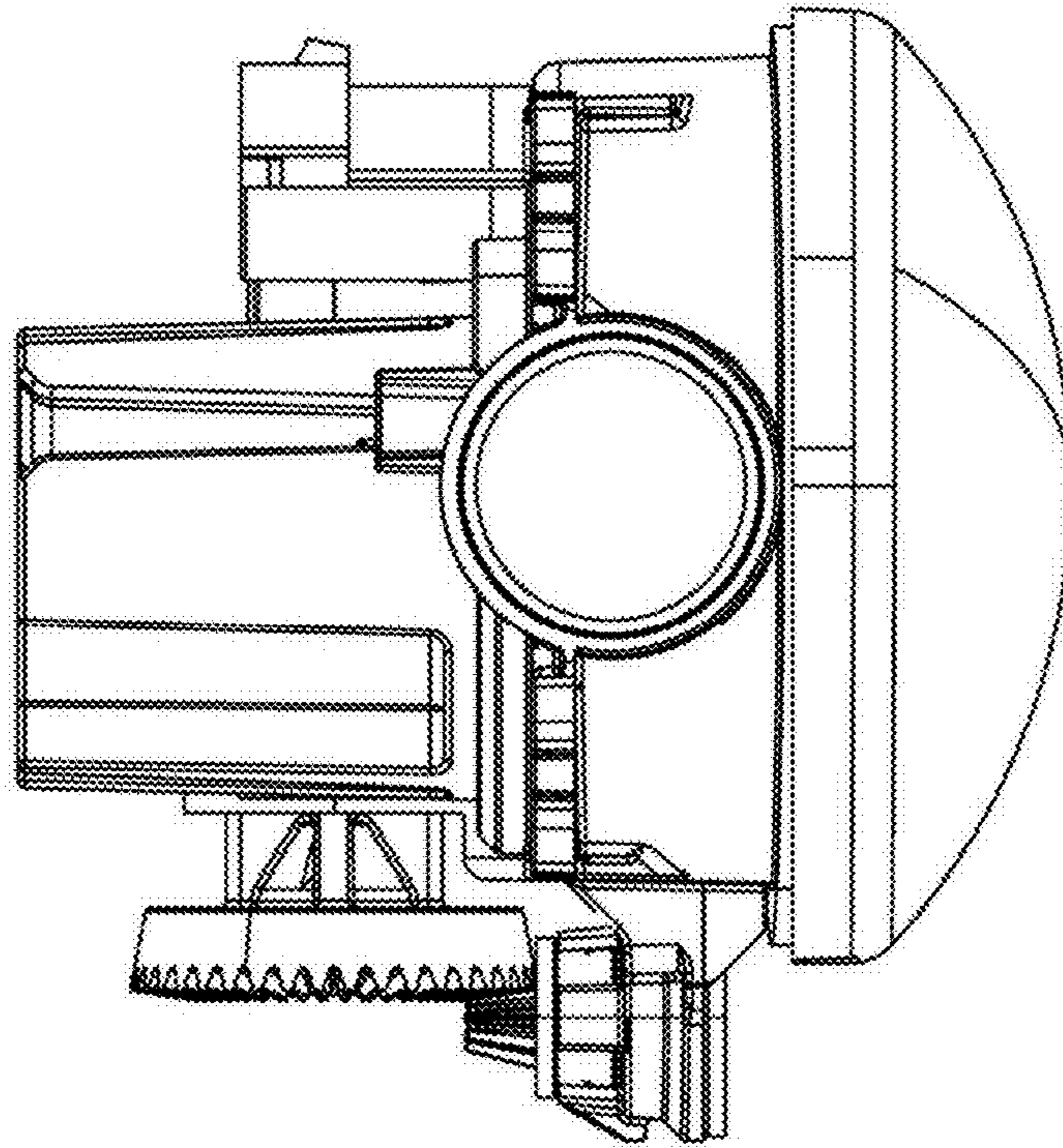
1.1



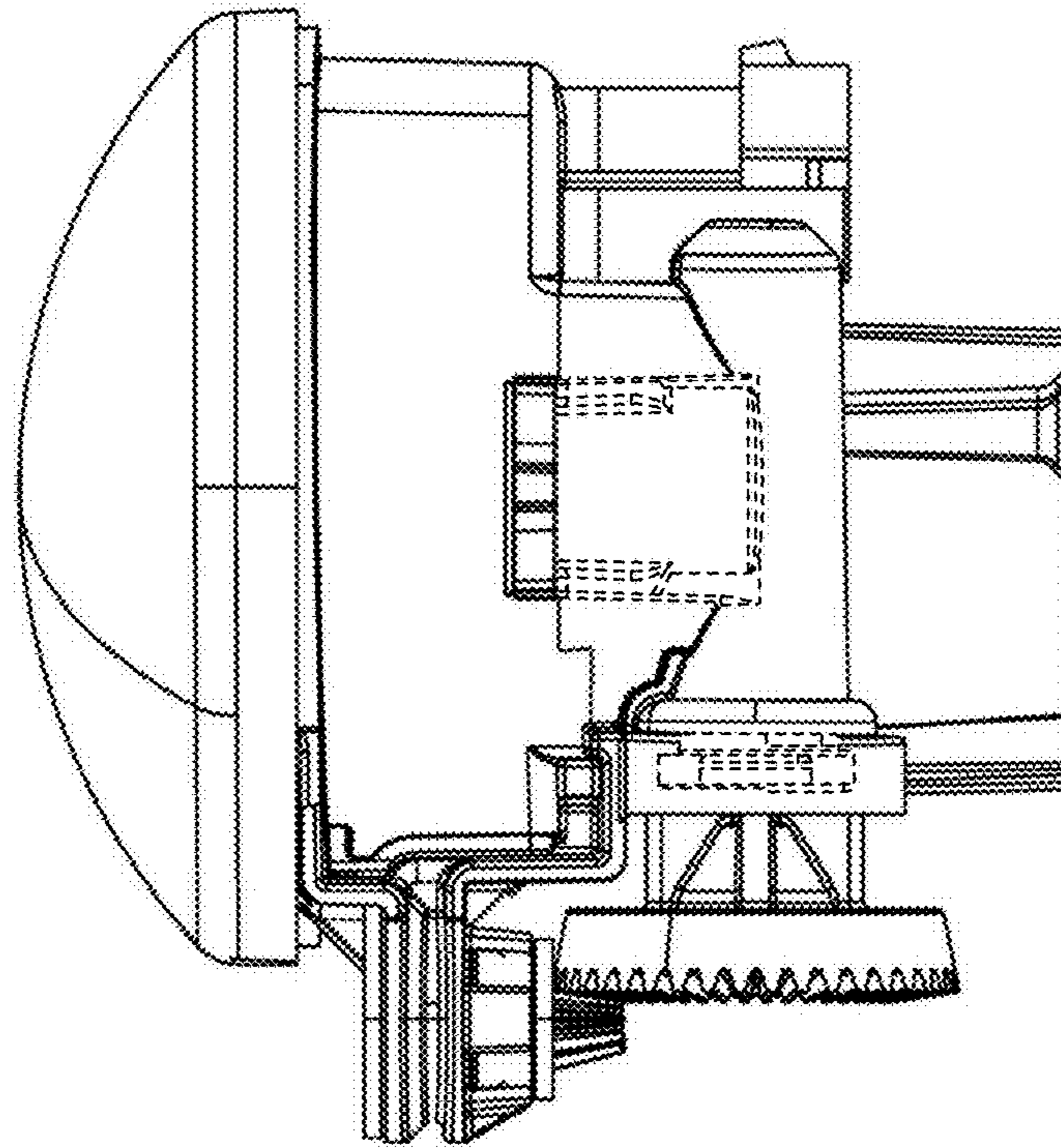
1.2



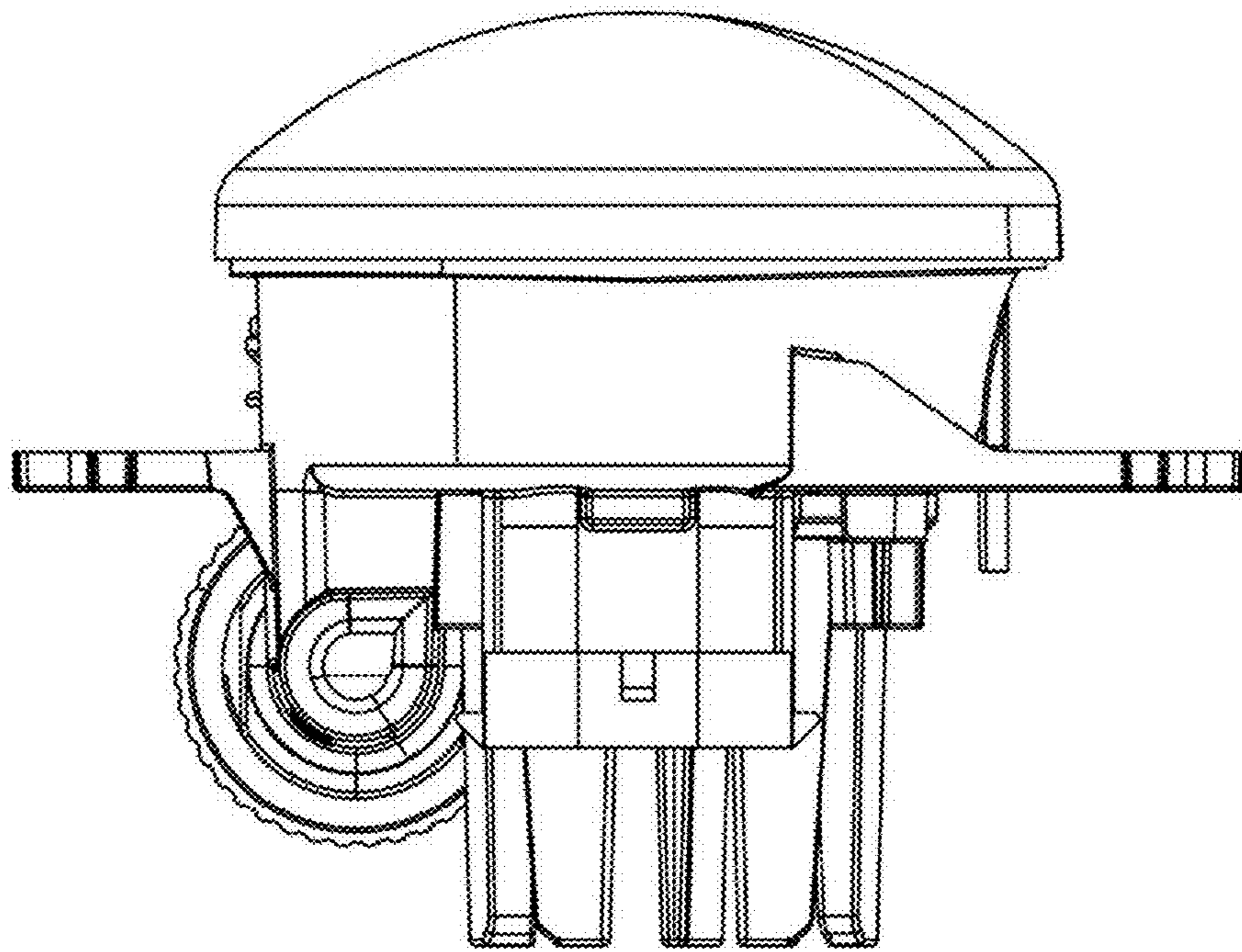
1.3



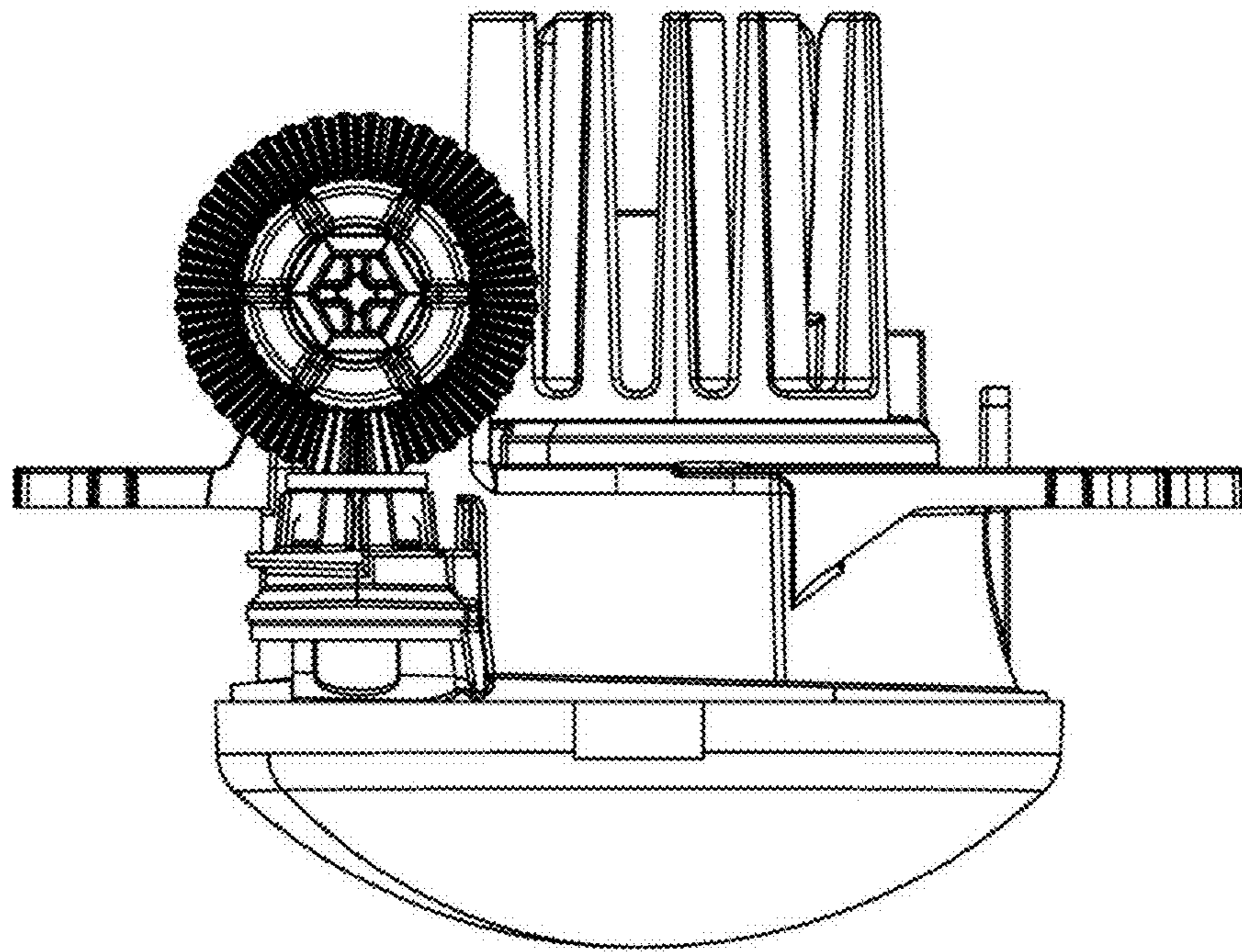
1.4



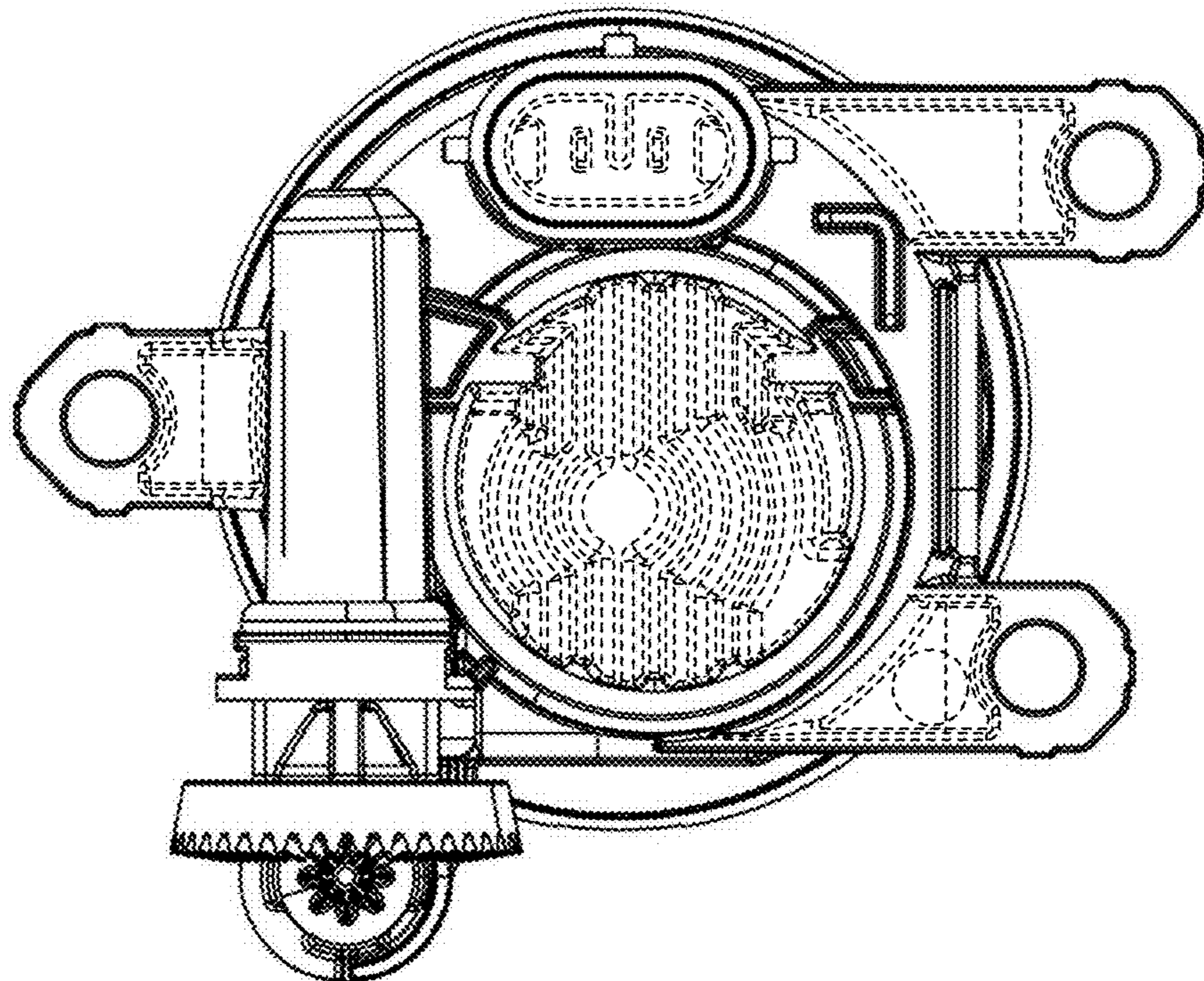
1.5



1.6



1.7



1.8

