



US00D858822S

(12) **United States Design Patent**
Whitla et al.

(10) **Patent No.:** **US D858,822 S**

(45) **Date of Patent:** **** Sep. 3, 2019**

- (54) **VEHICLE FRONT HEADLAMP**
- (71) Applicant: **GM GLOBAL TECHNOLOGY OPERATIONS LLC**, Detroit, MI (US)
- (72) Inventors: **Guy W. Whitla**, Rochester Hills, MI (US); **Takahiko Suginoshita**, Rochester Hills, MI (US); **Daniel E. Schmeckpeper**, Clarkston, MI (US)
- (73) Assignee: **GM GLOBAL TECHNOLOGY OPERATIONS LLC**, Detroit, MI (US)
- (**) Term: **15 Years**
- (21) Appl. No.: **29/674,031**
- (22) Filed: **Dec. 19, 2018**

Related U.S. Application Data

- (62) Division of application No. 29/588,513, filed on Dec. 21, 2016, now Pat. No. Des. 843,023.

(51) **LOC (12) Cl.** **26-06**

(52) **U.S. Cl.**
USPC **D26/28**

(58) **Field of Classification Search**
USPC D26/28-36, 139
CPC F21S 48/00; F21S 48/10; F21S 48/115;
F21S 48/225; F21S 48/1233; F21S
48/1266; F21S 48/1388; F21S 48/2268;
F21V 13/00; F21V 21/04; F21V 29/004
See application file for complete search history.

(56) **References Cited**

U.S. PATENT DOCUMENTS

- D570,742 S 6/2008 Takagi et al.
- D578,676 S * 10/2008 Smock D26/28
- D592,105 S 5/2009 Dean et al.
- D597,447 S 8/2009 Folden

- D600,595 S 9/2009 Nakamura et al.
- D601,925 S 10/2009 O'Donnell
- D603,755 S 11/2009 Peters
- D604,203 S 11/2009 O'Donnell
- D605,082 S 12/2009 Munson
- D605,083 S 12/2009 Manoogian, II et al.
- D605,977 S 12/2009 Zipfel et al.
- D605,978 S 12/2009 Wolff et al.
- D608,249 S 1/2010 Peters
- D608,690 S 1/2010 Folden et al.
- D608,691 S 1/2010 Zak, Jr. et al.
- D609,608 S 2/2010 Boniface et al.
- D611,387 S 3/2010 Thompson et al.
- D611,879 S 3/2010 Kim et al.
- D612,297 S 3/2010 Peters et al.
- D613,645 S 4/2010 Song et al.
- D615,458 S 5/2010 Thompson et al.
- D618,595 S 6/2010 Ware et al.
- D623,090 S 9/2010 Cox et al.
- D627,262 S 11/2010 Ikeda et al.
- D635,488 S 4/2011 Phipps
- D644,147 S 8/2011 Suh et al.
- D644,567 S 9/2011 Kozub
- D657,718 S 4/2012 Zipfel et al.
- D659,052 S 5/2012 Ware et al.
- D659,053 S 5/2012 Ware et al.

(Continued)

Primary Examiner — Marcus A Jackson

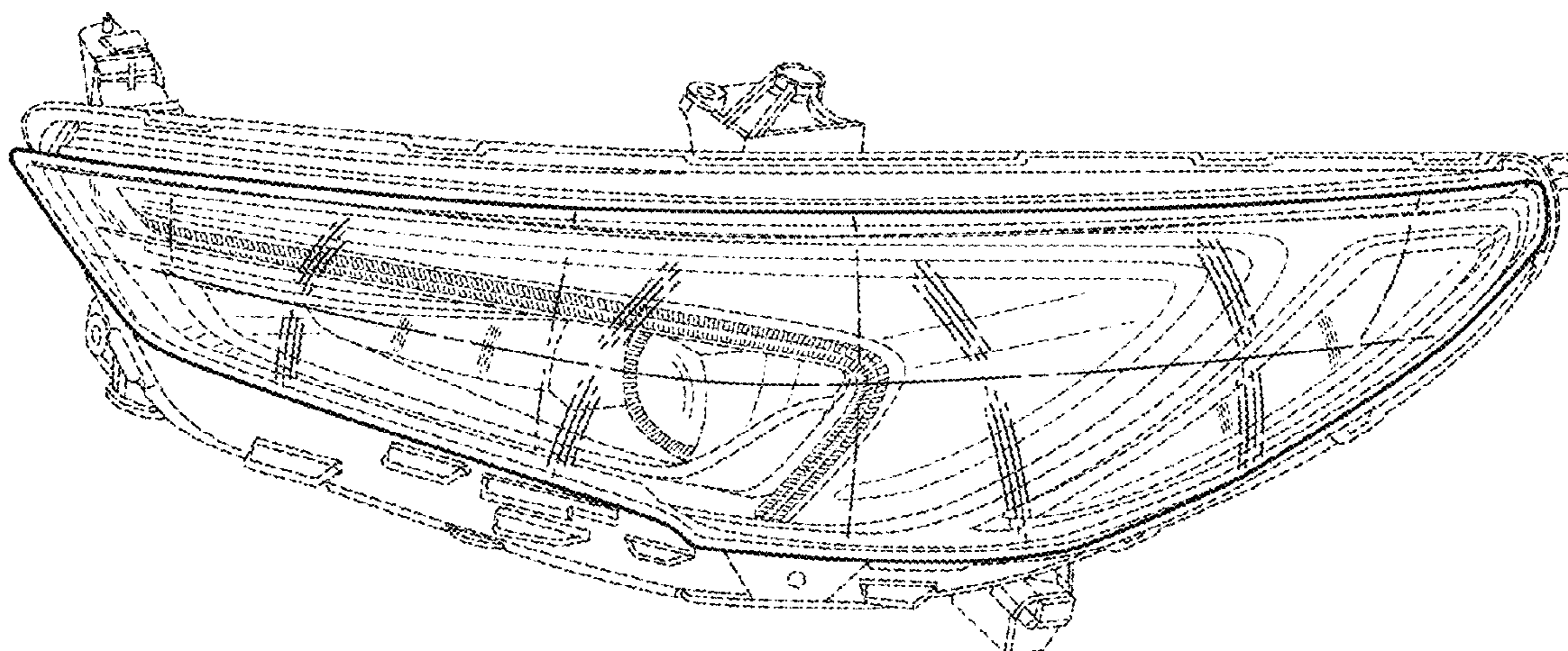
(57) **CLAIM**

The ornamental design for a vehicle front headlamp, as shown and described.

DESCRIPTION

FIG. 1 is a perspective view of a vehicle front headlamp, showing my new design;
FIG. 2 is a front view thereof;
FIG. 3 is a side view thereof; and,
FIG. 4 is a top view thereof.
In the drawings, the portions shown by broken lines form no part of the claimed design.

1 Claim, 4 Drawing Sheets



(56)

References Cited

U.S. PATENT DOCUMENTS

D662,635 S	*	6/2012	Sato	D26/28	D749,985 S	2/2016	Kozub et al.
D668,182 S		10/2012	Barba Franco et al.			D749,997 S	2/2016	McMahan et al.
D668,183 S		10/2012	Smart			D750,001 S	2/2016	Thole et al.
D678,820 S		3/2013	Son et al.			D753,032 S	4/2016	Smith et al.
D678,821 S		3/2013	Ikeda et al.			D753,033 S	4/2016	Thole et al.
D680,909 S		4/2013	Munson et al.			D753,034 S	4/2016	Thole et al.
D680,910 S		4/2013	David			D753,035 S	4/2016	Boniface et al.
D684,899 S		6/2013	Baker			D753,559 S	4/2016	McMahan et al.
D685,117 S	*	6/2013	Cogswell	D26/28	D753,560 S	4/2016	McMahan et al.
D686,536 S		7/2013	McCabe et al.			D753,567 S	4/2016	Boniface et al.
D692,798 S		11/2013	Thurber			D754,571 S	4/2016	Boniface et al.
D692,799 S		11/2013	Smith et al.			D754,572 S	4/2016	McMahan et al.
D696,157 S		12/2013	Loeb			D755,088 S	5/2016	McMahan et al.
D699,629 S		2/2014	Ikeda et al.			D756,869 S	5/2016	McMahan et al.
D700,871 S		3/2014	O'Donnell et al.			D758,271 S	6/2016	McMahan et al.
D703,103 S		4/2014	Lee			D764,975 S	8/2016	Aengenheyster
D704,103 S		5/2014	Mack et al.			D764,976 S	8/2016	Aengenheyster
D705,132 S		5/2014	Ware et al.			D767,449 S	9/2016	Pevovar et al.
D705,699 S		5/2014	Ware et al.			D767,450 S	9/2016	Lee et al.
D708,769 S	*	7/2014	Badstuebner	D26/28	D767,451 S	9/2016	Kozub et al.
D713,298 S		9/2014	Dyson			D767,454 S	9/2016	McMahan et al.
D713,764 S		9/2014	Ferlazzo et al.			D767,458 S	9/2016	Kim
D714,977 S	*	10/2014	Lee	D26/28	D767,459 S	9/2016	Kim
D716,696 S		11/2014	Thole et al.			D767,460 S	9/2016	Kozub et al.
D716,706 S		11/2014	Thole et al.			D767,461 S	9/2016	Kozub et al.
D716,709 S		11/2014	Thole et al.			D771,528 S	11/2016	Smith et al.
D717,696 S		11/2014	Thole et al.			D771,529 S	11/2016	Thole et al.
D718,189 S		11/2014	Krieg et al.			D771,532 S	11/2016	Kapitonov
D718,683 S		12/2014	Thole et al.			D771,533 S	11/2016	Kapitonov
D722,282 S		2/2015	Loeb			D772,766 S	11/2016	Kozub et al.
D722,533 S		2/2015	Thole et al.			D772,767 S	11/2016	Kim
D722,534 S		2/2015	Munson et al.			D773,084 S	11/2016	Kapitonov
D724,510 S		3/2015	McMahan et al.			D773,086 S	11/2016	McCabe et al.
D725,001 S		3/2015	McMahan et al.			D774,226 S	12/2016	McCabe et al.
D726,591 S		4/2015	Jacob			D775,003 S	12/2016	Pevovar et al.
D730,776 S		6/2015	Smart			D775,007 S	12/2016	Thole et al.
D730,783 S		6/2015	Henriques et al.			D775,010 S	12/2016	Kim et al.
D732,427 S		6/2015	Loeb			D775,049 S	12/2016	Scheer et al.
D732,429 S		6/2015	Loeb			D775,549 S	1/2017	Karras
D732,430 S		6/2015	Loeb			D775,554 S	1/2017	Kapitonov
D732,431 S		6/2015	Loeb			D776,020 S	1/2017	Kapitonov
D732,432 S		6/2015	Aengenheyster			D776,581 S	1/2017	Pevovar et al.
D732,433 S		6/2015	Aengenheyster			D776,583 S	1/2017	Scheer et al.
D732,435 S		6/2015	Mackay			D776,841 S	1/2017	Kozub et al.
D733,002 S		6/2015	Loeb			D776,843 S	1/2017	McCabe et al.
D735,611 S		8/2015	Aengenheyster			D776,846 S	1/2017	Willett et al.
D735,627 S		8/2015	Smith			D777,359 S	1/2017	Kozub et al.
D736,451 S		8/2015	Smith			D777,360 S	1/2017	Kozub et al.
D739,306 S		9/2015	McMahan et al.			D777,361 S	1/2017	Kozub et al.
D739,317 S		9/2015	McMahan et al.			D777,604 S	1/2017	McNerney
D741,223 S		10/2015	Kim et al.			D777,605 S	1/2017	Ferlazzo et al.
D743,309 S		11/2015	Thole et al.			D777,620 S	1/2017	Pevovar et al.
D743,313 S		11/2015	Smith et al.			D777,621 S	1/2017	Kim
D743,314 S		11/2015	Thole et al.			D777,622 S	1/2017	Kozub et al.
D743,857 S		11/2015	McMahan et al.			D777,628 S	1/2017	Kozub et al.
D744,158 S		11/2015	Willett et al.			D777,955 S	1/2017	Willett et al.
D745,086 S		12/2015	Finos et al.			D778,212 S	2/2017	Kozub et al.
D745,719 S		12/2015	Boniface et al.			D778,215 S	2/2017	Kozub et al.
D745,725 S		12/2015	McMahan et al.			D780,064 S	2/2017	Smith et al.
D745,726 S		12/2015	McMahan et al.			D780,067 S	2/2017	Zipfel et al.
D745,837 S		12/2015	Smith et al.			D780,068 S	2/2017	Whitla et al.
D746,726 S		1/2016	Smith et al.			D780,077 S	2/2017	Kim et al.
D746,727 S		1/2016	Smith et al.			D780,081 S	2/2017	Lee
D746,728 S		1/2016	Smith et al.			D780,084 S	2/2017	Scheer et al.
D746,729 S		1/2016	Boniface et al.			D780,631 S	3/2017	Kozub et al.
D746,730 S		1/2016	Kim et al.			D780,644 S	3/2017	Kim et al.
D747,514 S		1/2016	McMahan et al.			D781,184 S	3/2017	Thole et al.
D747,515 S		1/2016	McMahan et al.			D781,192 S	3/2017	Kozub et al.
D747,819 S		1/2016	Thole et al.			D782,379 S	3/2017	Wassell
D749,021 S		2/2016	Boniface et al.			D783,482 S	4/2017	Smith et al.
D749,026 S		2/2016	Smith et al.			D784,213 S	4/2017	Karras
D749,027 S		2/2016	McMahan et al.			D784,223 S	4/2017	Lee
D749,246 S		2/2016	Thole et al.			D784,226 S	4/2017	Cheng
D749,249 S		2/2016	Thole et al.			D784,579 S	4/2017	Cheng et al.
D749,250 S		2/2016	Thole et al.			D784,877 S	4/2017	Lee
						D784,886 S	4/2017	Smith et al.
						D785,521 S	5/2017	Smith et al.
						D786,149 S	5/2017	Pevovar et al.
						D786,743 S	5/2017	Smith et al.

(56)

References Cited

U.S. PATENT DOCUMENTS

D786,750 S	5/2017	Lee	D802,491 S	11/2017	Mainville
D787,446 S	5/2017	Cockerill	D802,496 S	11/2017	Mainville
D787,984 S	5/2017	Fang	D802,502 S	11/2017	McMahan
D787,988 S	5/2017	Lee	D803,727 S	11/2017	Noone et al.
D787,989 S	5/2017	Kozub et al.	D803,731 S	11/2017	Zipfel et al.
D787,990 S	5/2017	Kozub et al.	D804,370 S	12/2017	Kozub et al.
D787,992 S	5/2017	Lee	D804,371 S	12/2017	Whitla et al.
D787,993 S	5/2017	McCabe et al.	D804,372 S	12/2017	Kozub
D788,001 S	5/2017	Lee	D804,378 S	12/2017	Perkins
D788,641 S	6/2017	Arnold	D804,379 S	12/2017	McMahan
D788,644 S	6/2017	Mueller	D805,006 S	12/2017	Nakamura
D788,645 S	6/2017	Mueller	D805,013 S	12/2017	Whitla
D789,250 S	6/2017	Arnold	D805,014 S	12/2017	Zipfel
D789,260 S	6/2017	Smith	D805,441 S	12/2017	Karras
D789,575 S	6/2017	Willett	D805,964 S	12/2017	Whitla
D789,841 S	6/2017	Lee	D805,965 S	12/2017	Davis
D789,849 S	6/2017	Lee	D805,966 S	12/2017	Perkins
D791,018 S	7/2017	Mylenek	D805,985 S	12/2017	Nakamura
D791,644 S	7/2017	Fang	D807,232 S	1/2018	Bailie
D792,290 S	7/2017	Smith	D807,239 S	1/2018	Perkins
D792,293 S	7/2017	McCabe et al.	D807,240 S	1/2018	Perkins
D792,294 S	7/2017	McCabe et al.	D807,241 S	1/2018	Perkins
D792,295 S	7/2017	McCabe et al.	D809,442 S	2/2018	Zipfel et al.
D792,815 S	7/2017	Kozub	D811,269 S	2/2018	Thompson et al.
D792,816 S	7/2017	Kozub	D811,942 S	3/2018	Jacob
D793,290 S	8/2017	Kozub	D811,957 S	3/2018	Whitla et al.
D793,292 S	8/2017	Lee	D811,958 S	3/2018	Zipfel et al.
D793,293 S	8/2017	Lee et al.	D811,959 S	3/2018	Perkins
D793,294 S	8/2017	Lee	D811,960 S	3/2018	Nakamura
D793,295 S	8/2017	McCabe et al.	D811,961 S	3/2018	Sullivan
D793,296 S	8/2017	Smith et al.	D811,962 S	3/2018	Sullivan
D793,297 S	8/2017	Smith et al.	D811,963 S	3/2018	Sullivan
D793,299 S	8/2017	Kreig et al.	D811,964 S	3/2018	Perkins
D793,300 S	8/2017	Kreig et al.	D811,965 S	3/2018	Moffett et al.
D793,301 S	8/2017	Kozub	D812,525 S	3/2018	Lee
D793,302 S	8/2017	Kozub	D812,526 S	3/2018	Zipfel et al.
D793,311 S	8/2017	Whitla et al.	D812,527 S	3/2018	Perkins
D793,590 S	8/2017	Kozub et al.	D812,528 S	3/2018	Nakamura
D793,591 S	8/2017	Kozub et al.	D813,098 S	3/2018	Thompson et al.
D793,917 S	8/2017	Kozub	D813,109 S	3/2018	Zipfel et al.
D793,918 S	8/2017	Kozub	D813,110 S	3/2018	Whitla et al.
D794,229 S	8/2017	Barry	D813,111 S	3/2018	Sullivan
D794,230 S	8/2017	Kozub	D813,116 S	3/2018	Park
D795,747 S	8/2017	Bailie	D813,117 S	3/2018	Sullivan
D795,757 S	8/2017	Pevovar et al.	D813,121 S	3/2018	Swanseger
D795,758 S	8/2017	Karras	D813,730 S	3/2018	Zipfel et al.
D795,759 S	8/2017	Kozub et al.	D813,731 S	3/2018	McMahan
D795,760 S	8/2017	Kozub et al.	D813,732 S	3/2018	Whitla et al.
D795,762 S	8/2017	Lee	D813,733 S	3/2018	Lee
D795,763 S	8/2017	Kozub	D813,734 S	3/2018	Nakamura
D796,088 S	8/2017	McCabe et al.	D813,740 S	3/2018	Park
D796,093 S	8/2017	Mainville	D813,741 S	3/2018	Perkins
D796,390 S	9/2017	Pevovar et al.	D813,742 S	3/2018	McMahan et al.
D797,537 S	9/2017	Cooper et al.	D813,743 S	3/2018	Lee
D797,603 S	9/2017	Noone et al.	D813,744 S	3/2018	Whitla et al.
D797,614 S	9/2017	Lee	D813,748 S	3/2018	Kim
D797,616 S	9/2017	Lee	D813,753 S	3/2018	Loeb
D797,624 S	9/2017	Nakamura	D813,754 S	3/2018	Loeb
D797,625 S	9/2017	Perkins	D813,755 S	3/2018	Loeb
D797,631 S	9/2017	Pevovar et al.	D813,756 S	3/2018	Loeb
D797,632 S	9/2017	Zipfel et al.	D813,757 S	3/2018	Kozub
D797,967 S	9/2017	Barry	D813,758 S	3/2018	Gonzales
D797,970 S	9/2017	Mainville	D813,759 S	3/2018	Perkins
D797,971 S	9/2017	Mainville	D814,369 S	4/2018	Loeb
D797,972 S	9/2017	Whitla et al.	D814,982 S	4/2018	Whitla et al.
D798,204 S	9/2017	Mainville	D814,983 S	4/2018	Whitla et al.
D799,384 S	10/2017	Kozub et al.	D815,570 S	4/2018	McMahan et al.
D799,385 S	10/2017	Kozub et al.	D815,572 S	4/2018	Perkins
D799,386 S	10/2017	Kozub et al.	D815,573 S	4/2018	Whitla et al.
D799,728 S	10/2017	Whitla et al.	D815,574 S	4/2018	Mainville
D801,236 S	10/2017	Kozub et al.	D815,985 S	4/2018	Mueller
D801,577 S	10/2017	Ruiz	D815,993 S	4/2018	Kozub et al.
D801,882 S	11/2017	Kozub et al.	D815,994 S	4/2018	Nakamura
D802,205 S	11/2017	Ruiz	D816,003 S	4/2018	Perkins
D802,478 S	11/2017	Perkins	D816,558 S	5/2018	McMahan et al.
			D816,559 S	5/2018	McMahan et al.
			D816,561 S	5/2018	McMahan
			D816,562 S	5/2018	Whitla et al.
			D816,563 S	5/2018	McMahan et al.

(56)

References Cited

U.S. PATENT DOCUMENTS

D816,564 S	5/2018	Kim	D823,741 S	7/2018	Kim
D816,565 S	5/2018	Kim	D823,762 S	7/2018	Loeb
D816,566 S	5/2018	Loeb	D823,763 S	7/2018	Koo et al.
D817,836 S	5/2018	McMahan et al.	D824,811 S	8/2018	Mainville
D818,156 S	5/2018	Kim et al.	D824,812 S	8/2018	Loeb
D818,157 S	5/2018	Zipfel et al.	D824,824 S	8/2018	Kim
D818,158 S	5/2018	Zipfel et al.	D824,825 S	8/2018	Loeb
D818,159 S	5/2018	Zipfel et al.	D825,083 S	8/2018	Perkins
D818,160 S	5/2018	Perkins	D825,388 S	8/2018	Karras et al.
D818,406 S	5/2018	McMahan et al.	D825,403 S	8/2018	Whitla et al.
D818,876 S	5/2018	Whitla et al.	D826,114 S	8/2018	Smith et al.
D818,877 S	5/2018	Nakamura et al.	D826,435 S	8/2018	Kim
D818,878 S	5/2018	McMahan et al.	D826,803 S	8/2018	Smith et al.
D818,892 S	5/2018	Lee	D827,506 S	9/2018	McMahan et al.
D818,893 S	5/2018	Kim	D827,508 S	9/2018	Whitla et al.
D818,903 S	5/2018	Zipfel et al.	D827,510 S	9/2018	Kim
D818,906 S	5/2018	McMahan	D827,527 S	9/2018	Loeb
D818,907 S	5/2018	Whitla et al.	D828,246 S	9/2018	Loeb
D818,915 S	5/2018	Kozub et al.	D828,261 S	9/2018	Moffett et al.
D818,922 S	5/2018	Whitla et al.	D828,935 S	9/2018	Hochmuth
D819,505 S	6/2018	McMahan et al.	D829,622 S	10/2018	Jacob
D819,519 S	6/2018	Whitla et al.	D830,241 S	10/2018	Kozub
D821,617 S	6/2018	Perkins	D830,242 S	10/2018	Zipfel
D822,550 S	7/2018	Wassell et al.	D830,252 S	10/2018	Swanseger
D822,551 S	7/2018	McMahan et al.	D830,258 S	10/2018	McMahan et al.
D823,188 S	7/2018	Loeb	D830,261 S	10/2018	Jacob
D823,738 S	7/2018	Kim	D830,589 S	10/2018	Henriques
			D832,752 S	11/2018	Lee
			D835,003 S	12/2018	Thompson et al.
			D835,012 S	12/2018	Smith et al.

* cited by examiner

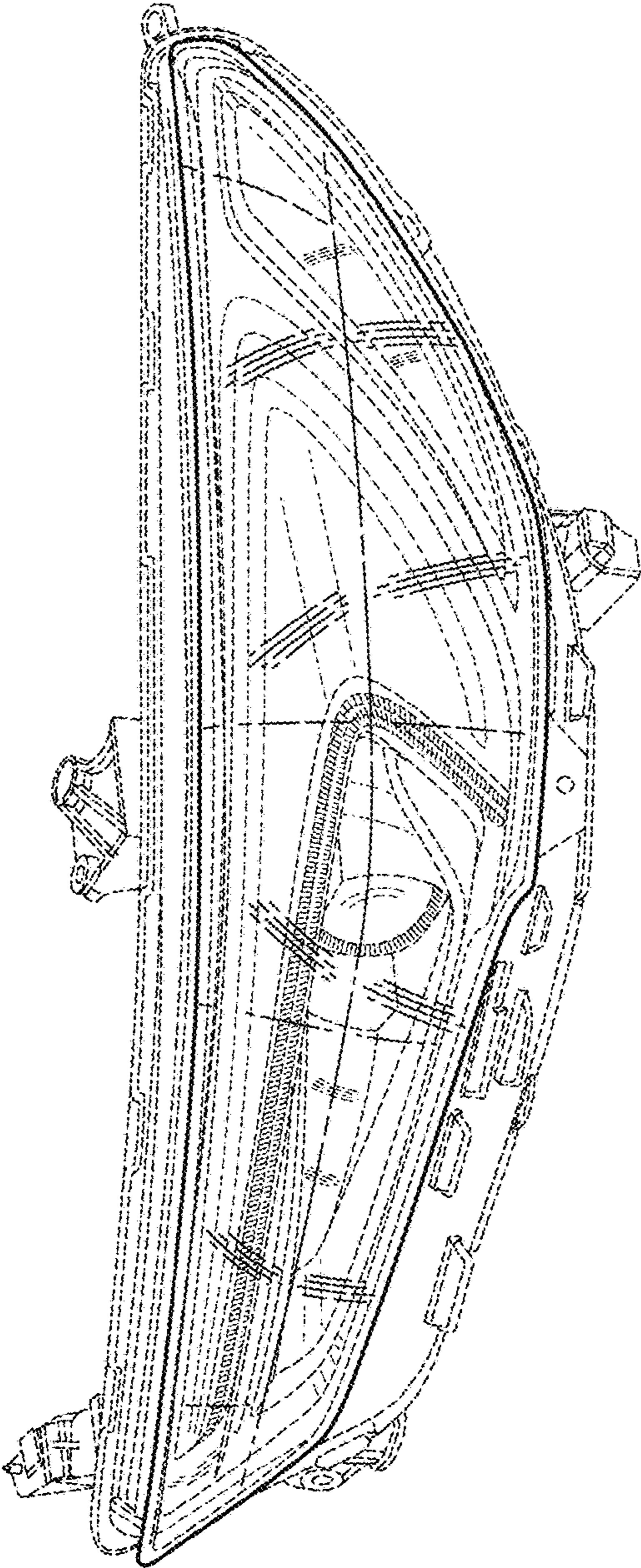


FIG. 1

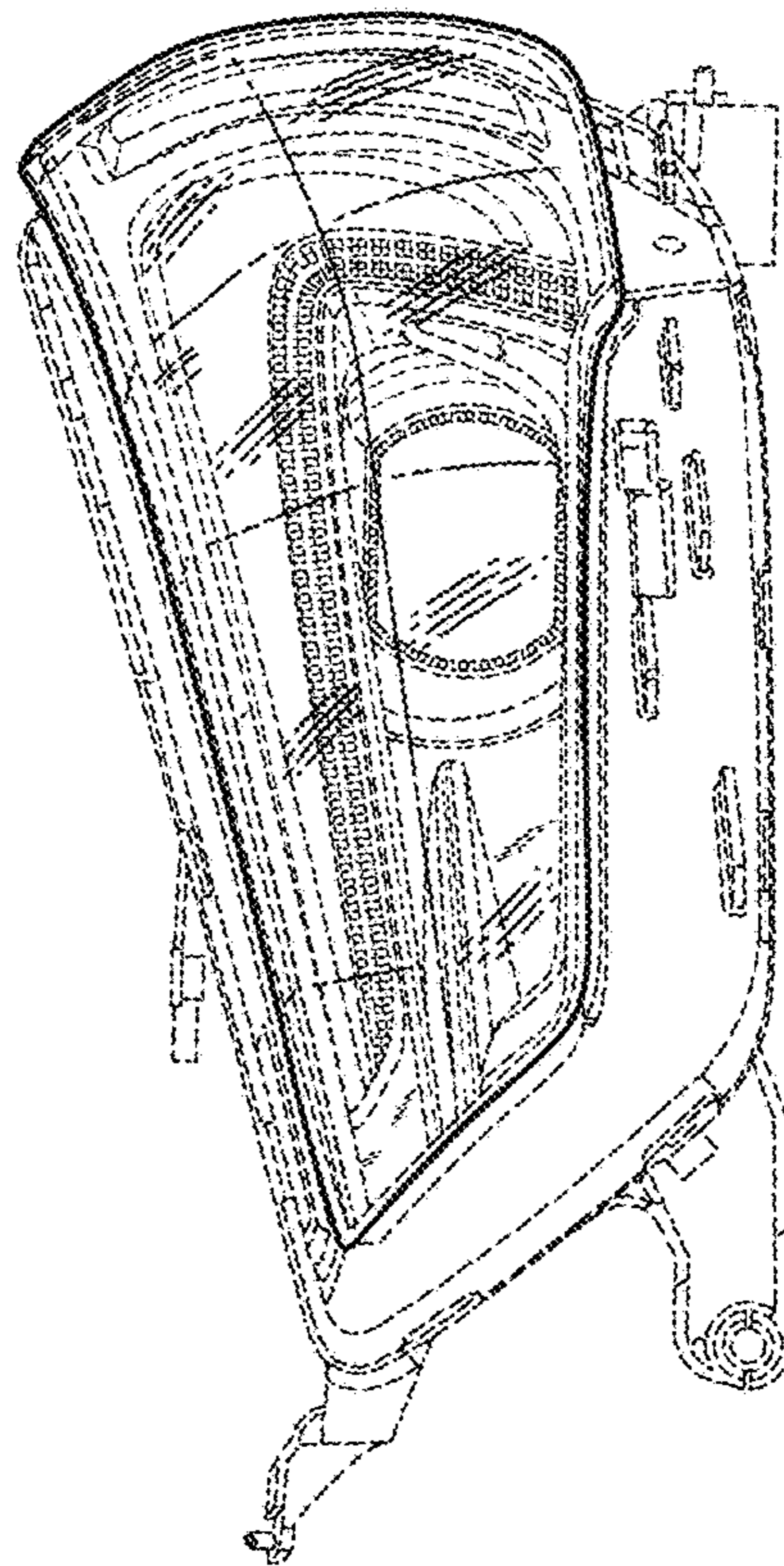


FIG. 2

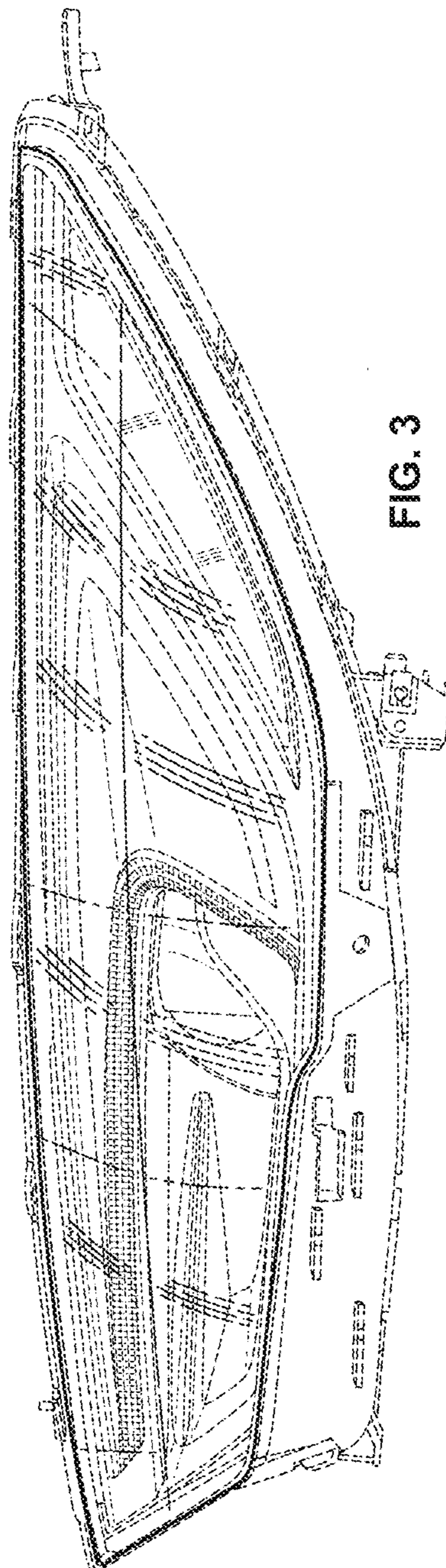


FIG. 3

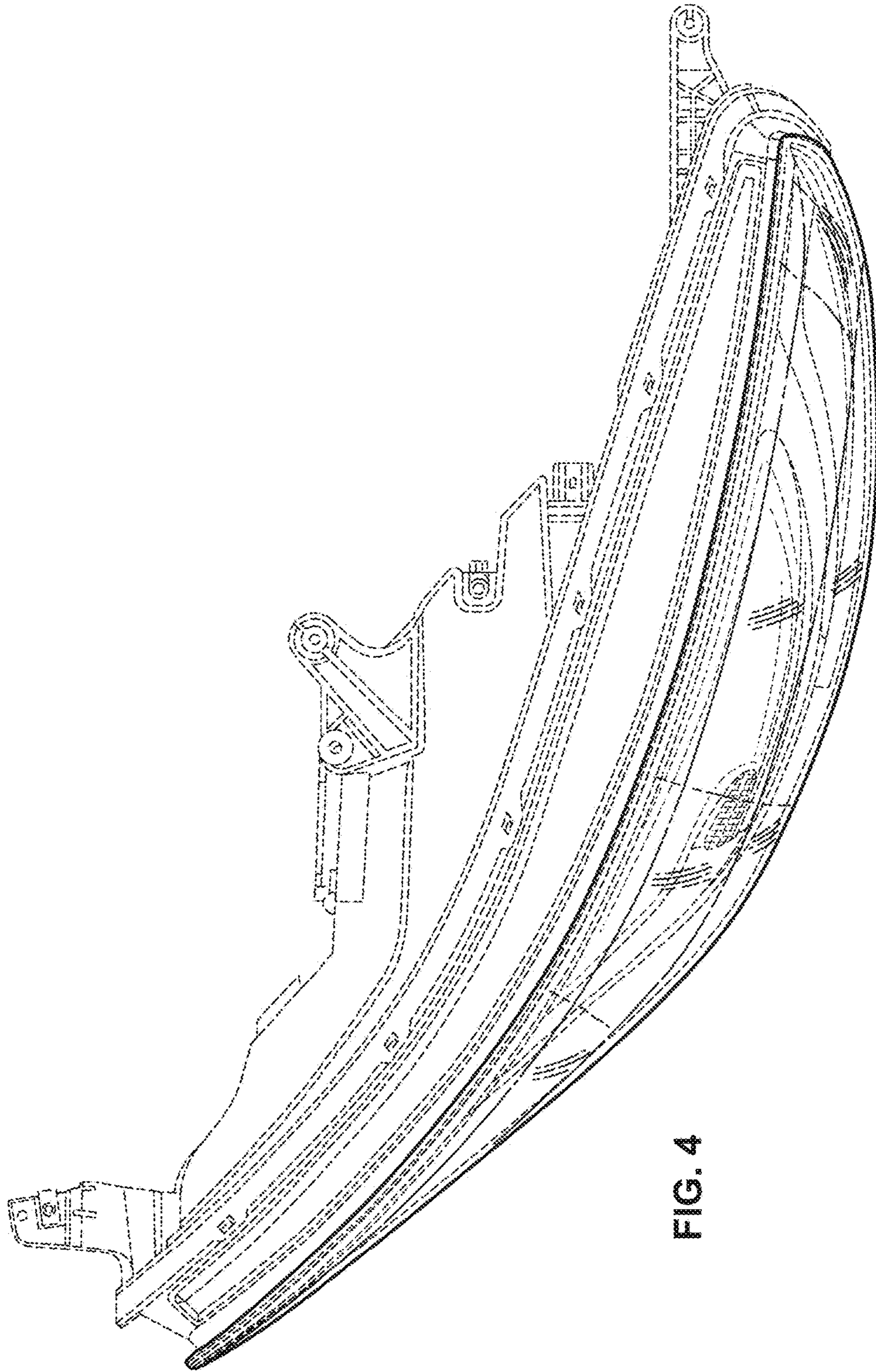


FIG. 4