



US00D858816S

(12) **United States Design Patent** (10) **Patent No.:** **US D858,816 S**
Ko (45) **Date of Patent:** **** Sep. 3, 2019**

(54) **LAMP FOR VEHICLE**
(71) Applicants: **VISION X ASIA CO., LTD.**,
Hwaseong-si (KR); **In Hong Ko**, Seoul
(KR)
(72) Inventor: **In Hong Ko**, Seoul (KR)
(73) Assignees: **VISION X ASIA CO., LTD.**,
Hwaseong-si (KR); **In Hong Ko**, Seoul
(KR)

D415,849 S * 10/1999 Goldberg D10/115
D418,929 S * 1/2000 Allen D10/114.1
D530,029 S * 10/2006 Neufeglise D26/28
D578,681 S * 10/2008 Huang D26/28
D588,729 S * 3/2009 Hsu D26/28
D615,223 S * 5/2010 Huang D26/28
D736,432 S * 8/2015 Elwell D26/28
D775,751 S * 1/2017 Jones, Jr. D26/28
D780,964 S * 3/2017 Roach D26/28
D788,955 S * 6/2017 Yu D26/28
D809,168 S * 1/2018 Kennemer D26/28

* cited by examiner

(**) Term: **15 Years**

Primary Examiner — Angela J Lee

(21) Appl. No.: **29/649,043**

(74) *Attorney, Agent, or Firm* — Cantor Colburn LLP

(22) Filed: **May 25, 2018**

(30) **Foreign Application Priority Data**

Nov. 29, 2017 (KR) 30-2017-0056290

(51) **LOC (12) Cl.** **06-07**

(52) **U.S. Cl.**
USPC **D26/28**

(58) **Field of Classification Search**
USPC D26/28, 29, 30, 31, 32, 33, 34, 35, 36;
362/459-468, 475-478, 485-487
CPC F21S 48/00; F21S 48/10; F21S 48/115;
F21S 48/225; F21S 48/1233; F21S
48/1266; F21S 48/1388; F21S 48/2268;
F21V 21/04

See application file for complete search history.

(56) **References Cited**

U.S. PATENT DOCUMENTS

D385,982 S * 11/1997 Moore D26/28
D410,292 S * 5/1999 Mayle D26/28

(57) **CLAIM**

The ornamental design for a lamp for vehicle, as shown and described.

DESCRIPTION

FIG. 1 is a perspective view of a lamp for vehicle showing my new design;
FIG. 2 is a front elevational view thereof;
FIG. 3 is a rear elevational view thereof;
FIG. 4 is an enlarged left side elevational view thereof;
FIG. 5 is an enlarged right side elevational view thereof;
FIG. 6 is a top plan view thereof; and,
FIG. 7 is a bottom plan view thereof.
The broken lines in the drawing views are included for the purpose of illustrating the unclaimed portions of the lamp for vehicle and form no part of the claimed design.

1 Claim, 3 Drawing Sheets

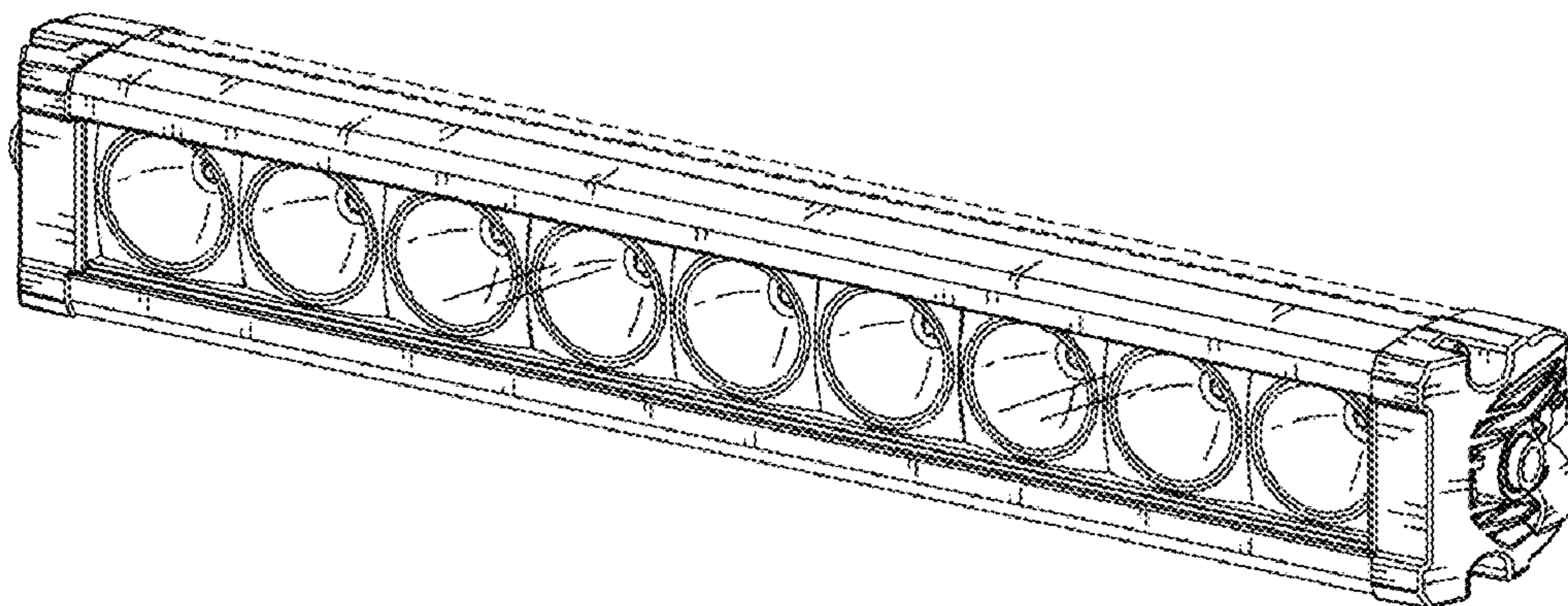


FIG. 1

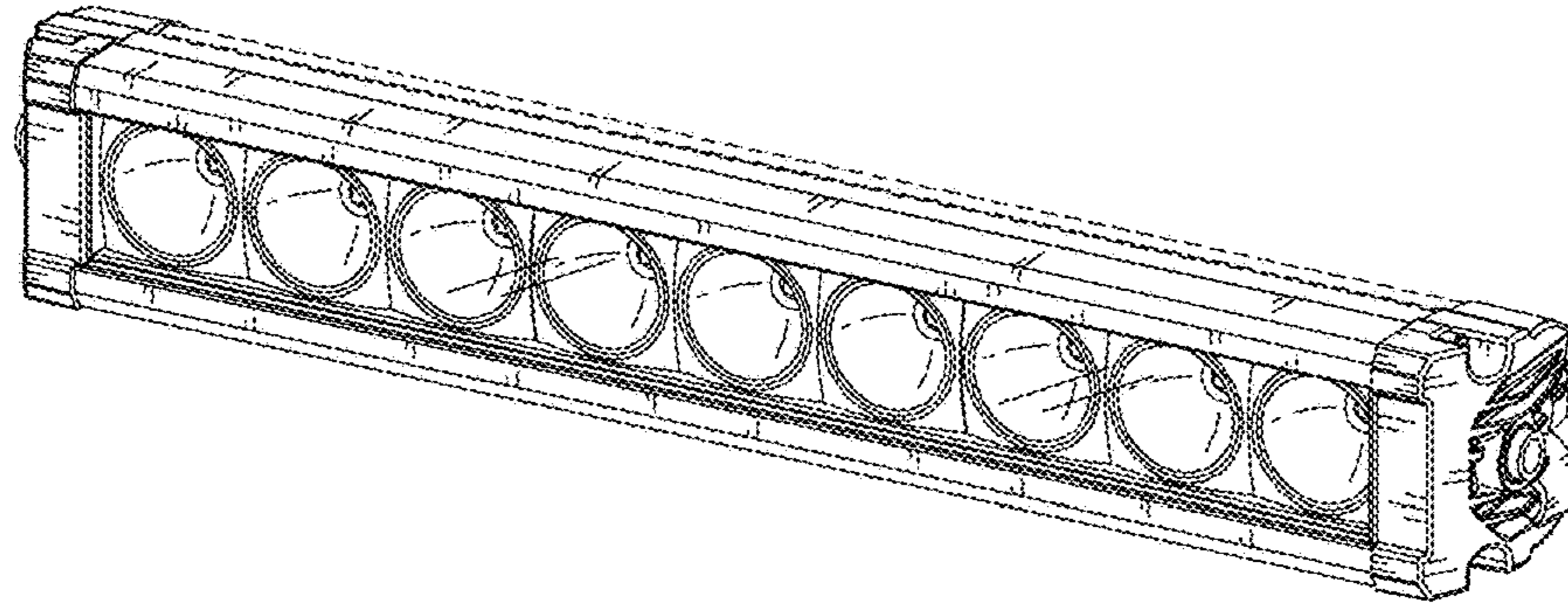


FIG. 2

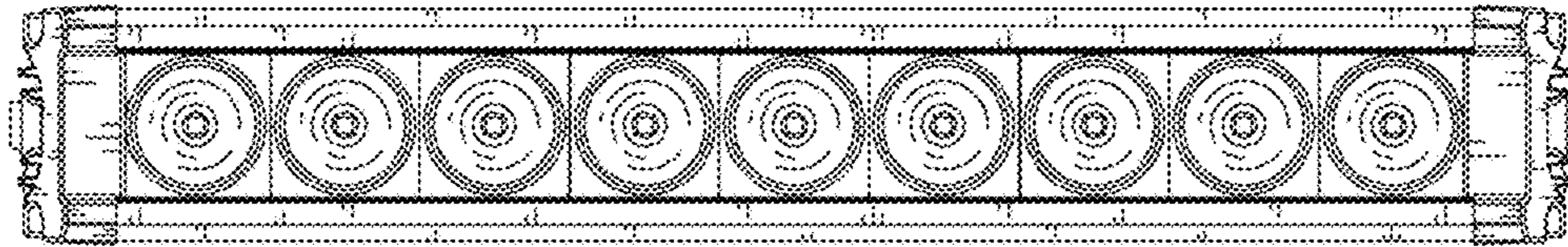


FIG. 3

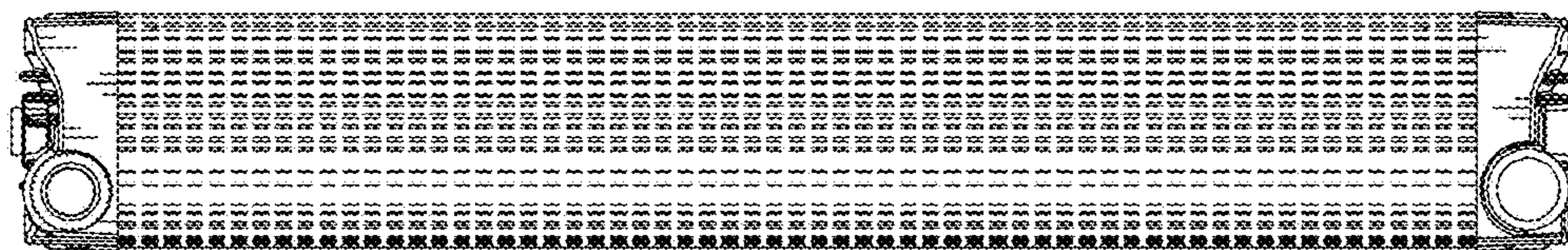


FIG. 4

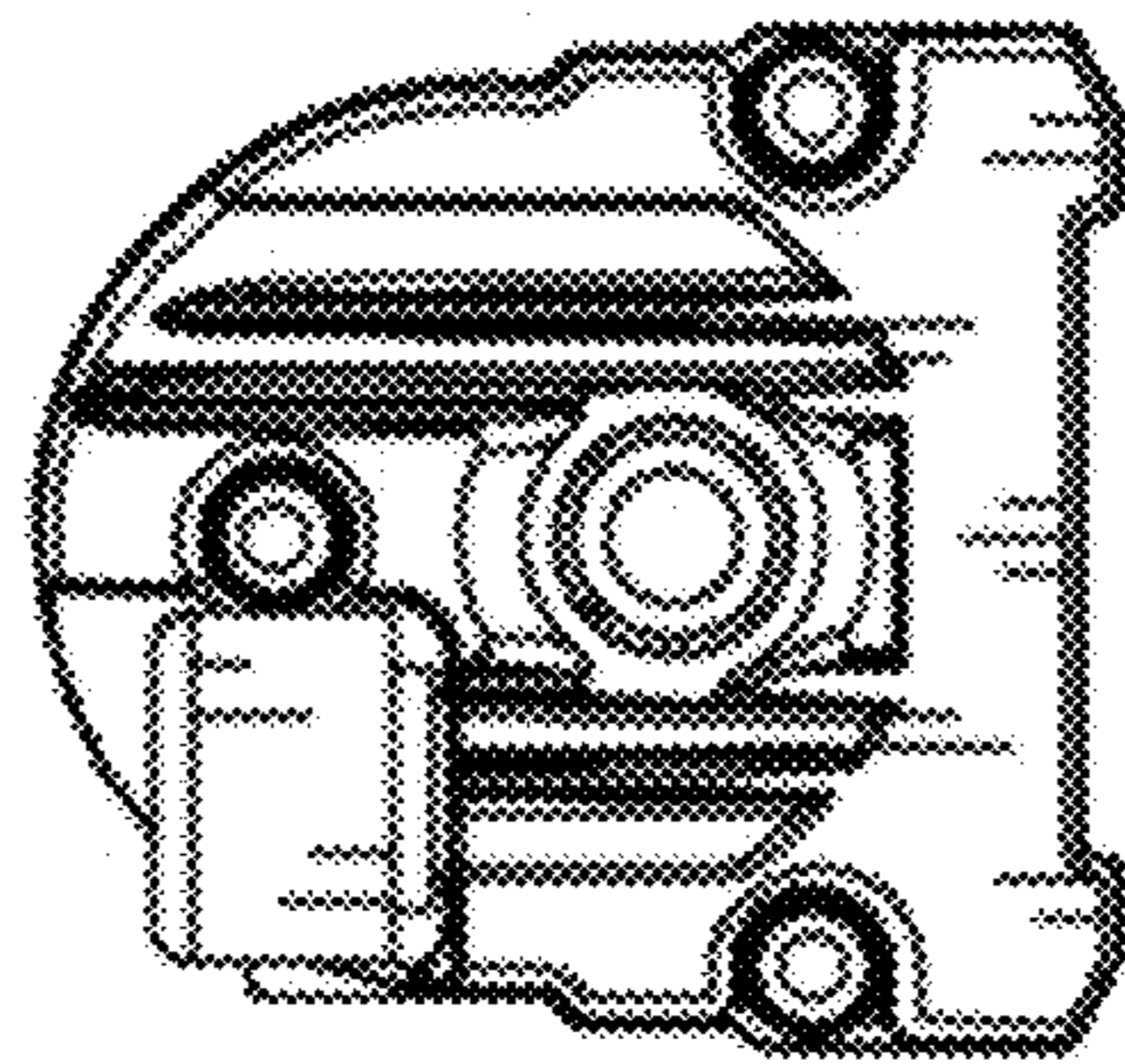


FIG. 5

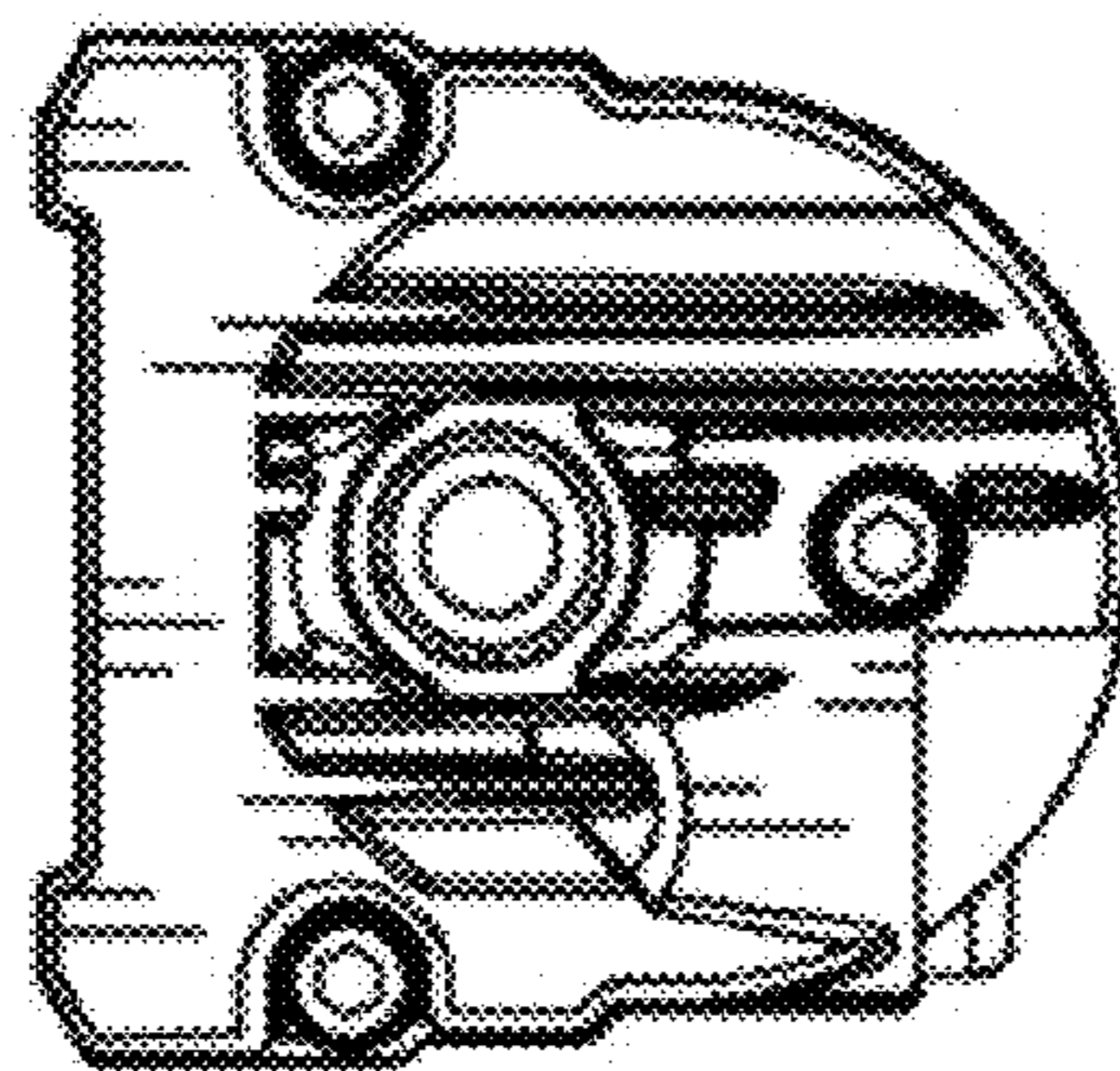


FIG. 6

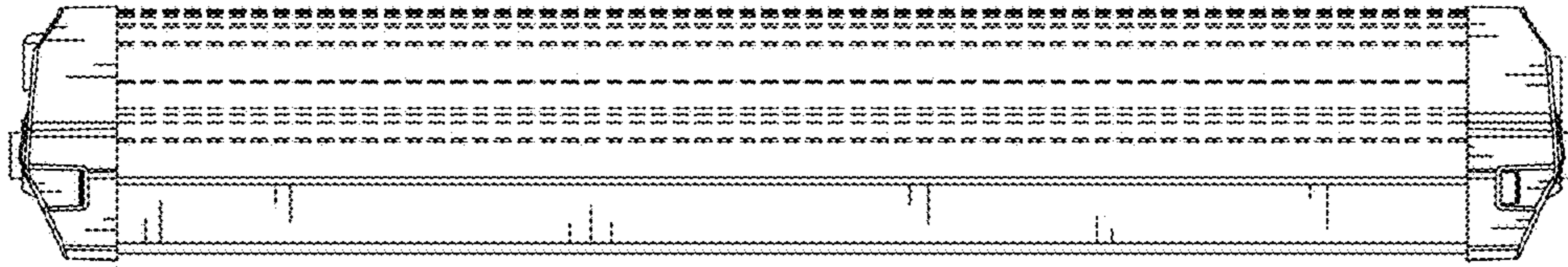


FIG. 7

