



US00D858812S

(12) **United States Design Patent**  
**Lin**

(10) **Patent No.:** **US D858,812 S**

(45) **Date of Patent:** **\*\* Sep. 3, 2019**

(54) **AUTOMOBILE HEADLIGHT**

(71) Applicant: **Chi-Chung Lin**, Hsinchu (TW)

(72) Inventor: **Chi-Chung Lin**, Hsinchu (TW)

(\*\*) Term: **15 Years**

(21) Appl. No.: **29/622,164**

(22) Filed: **Oct. 14, 2017**

(51) **LOC (12) Cl.** ..... **26-07**

(52) **U.S. Cl.**  
USPC ..... **D26/28**

(58) **Field of Classification Search**  
USPC ..... D26/28, 29, 30, 31, 32, 33, 34, 35, 36;  
362/459-468, 475-478, 485-487  
CPC ..... F21S 48/00; F21S 48/10; F21S 48/115;  
F21S 48/225; F21S 48/1233; F21S  
48/1266; F21S 48/1388; F21S 48/2268;  
F21V 21/04

See application file for complete search history.

(56) **References Cited**

**U.S. PATENT DOCUMENTS**

- D552,768 S \* 10/2007 Leclercq ..... D26/28
- D593,233 S \* 5/2009 Bai ..... D26/28
- D647,225 S 10/2011 Conway et al.
- D667,153 S \* 9/2012 Huet ..... D26/28

- D667,576 S \* 9/2012 Huet ..... D26/28
- D674,938 S \* 1/2013 Lai ..... D26/28
- D740,978 S \* 10/2015 Lee ..... D26/28
- D787,721 S \* 5/2017 Lai ..... D26/28
- D787,722 S \* 5/2017 Lai ..... D26/28
- D796,709 S \* 9/2017 Lai ..... D26/28
- D801,559 S \* 10/2017 Kinoshita ..... D26/28
- D804,692 S \* 12/2017 Lai ..... D26/28
- D807,549 S \* 1/2018 Lin ..... D26/28
- D815,768 S \* 4/2018 Park ..... D26/28

\* cited by examiner

*Primary Examiner* — Angela J Lee

(74) *Attorney, Agent, or Firm* — Alexander Chen, esq.;  
Agnew International Patent & Trademark Law Firm

(57) **CLAIM**

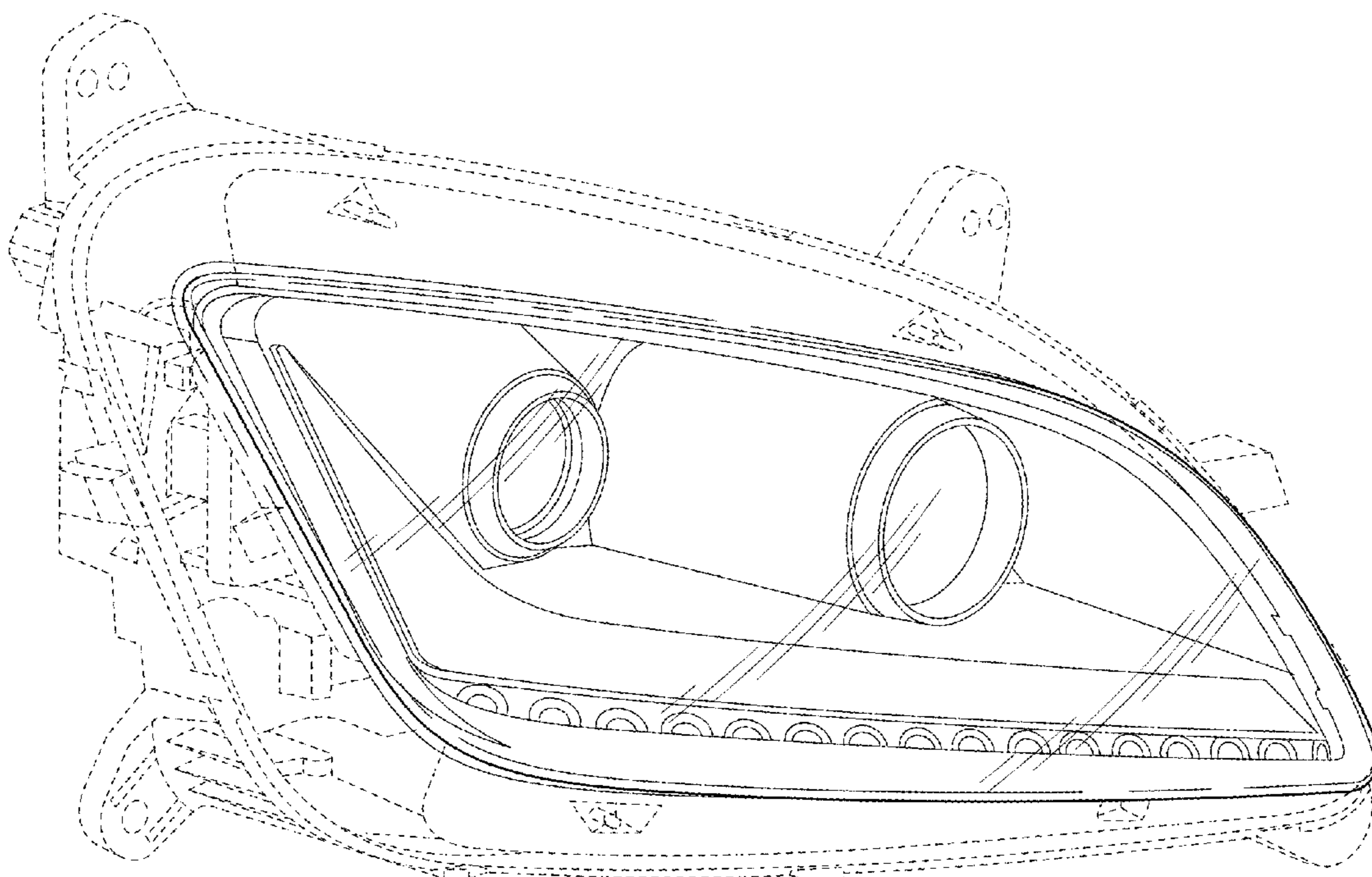
The ornamental design for an automobile headlight, as shown and described.

**DESCRIPTION**

FIG. 1 is a perspective view of an automobile headlight;  
FIG. 2 is a front view thereof;  
FIG. 3 is a side view thereof; and,  
FIG. 4 is a top view thereof.

The broken lines are included to show environmental structure and form no part of the claimed design. The drawings and descriptions represent the left side embodiment. The claim is also for a mirror image right side embodiment.

**1 Claim, 4 Drawing Sheets**



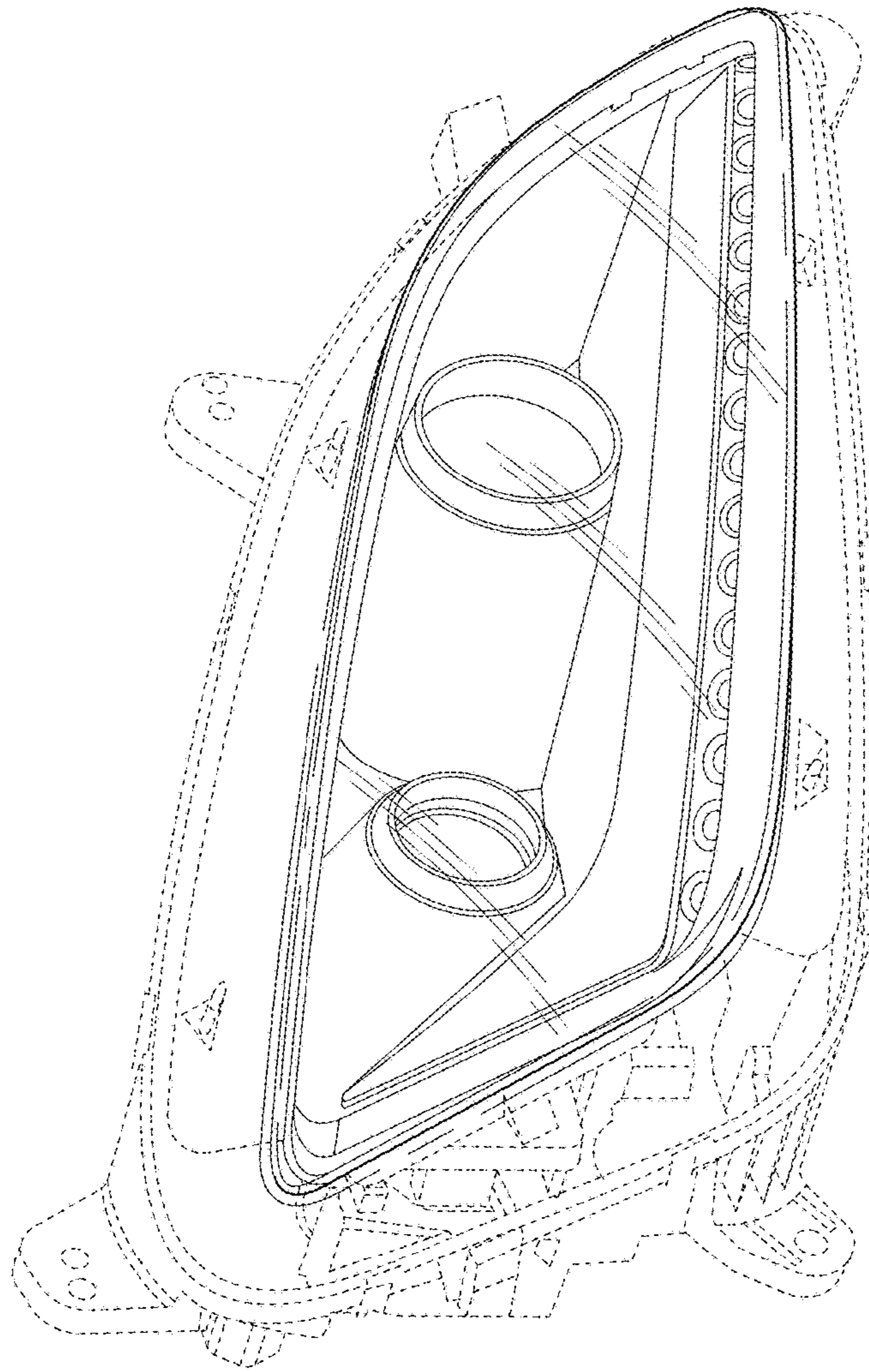


FIG. 1

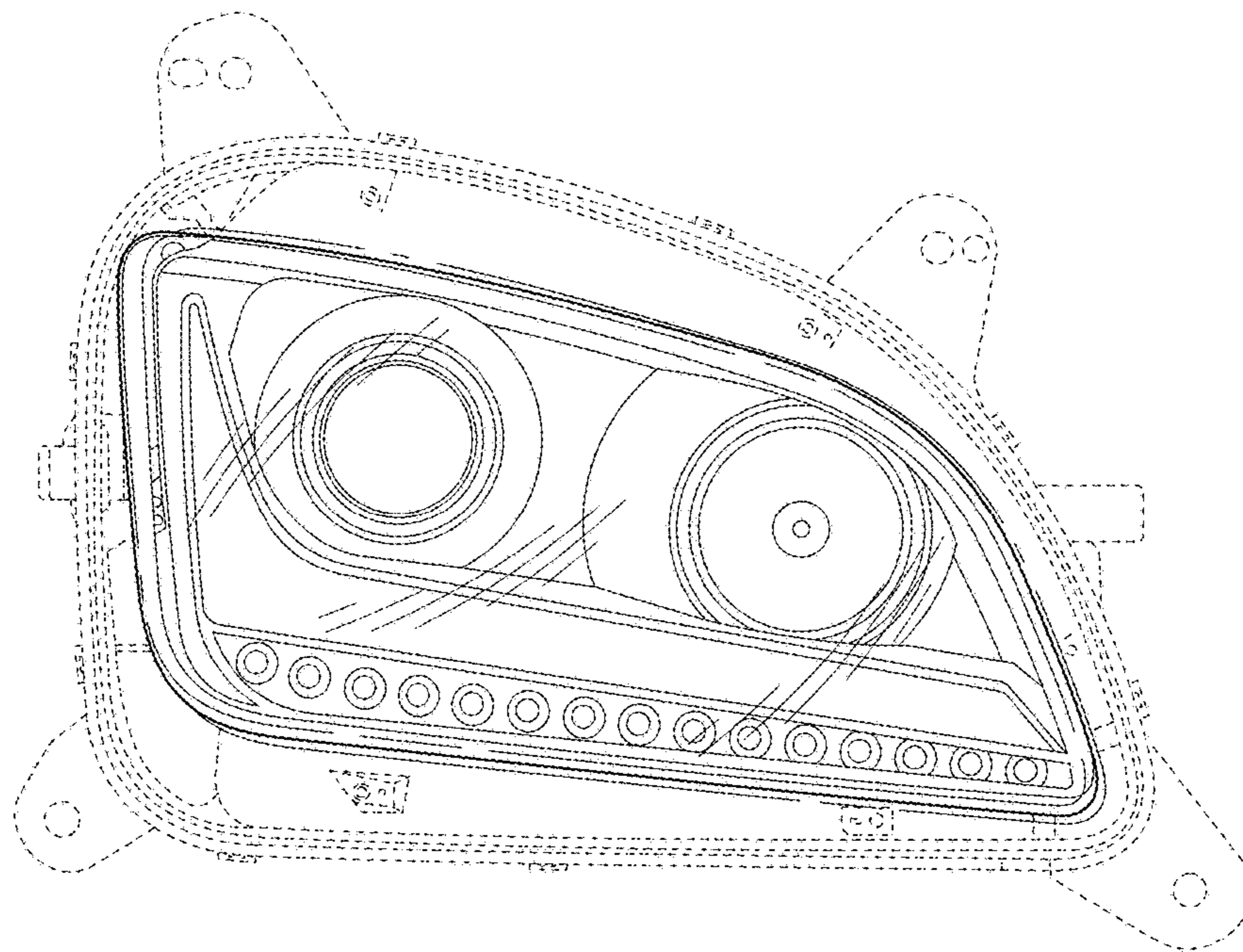


FIG. 2

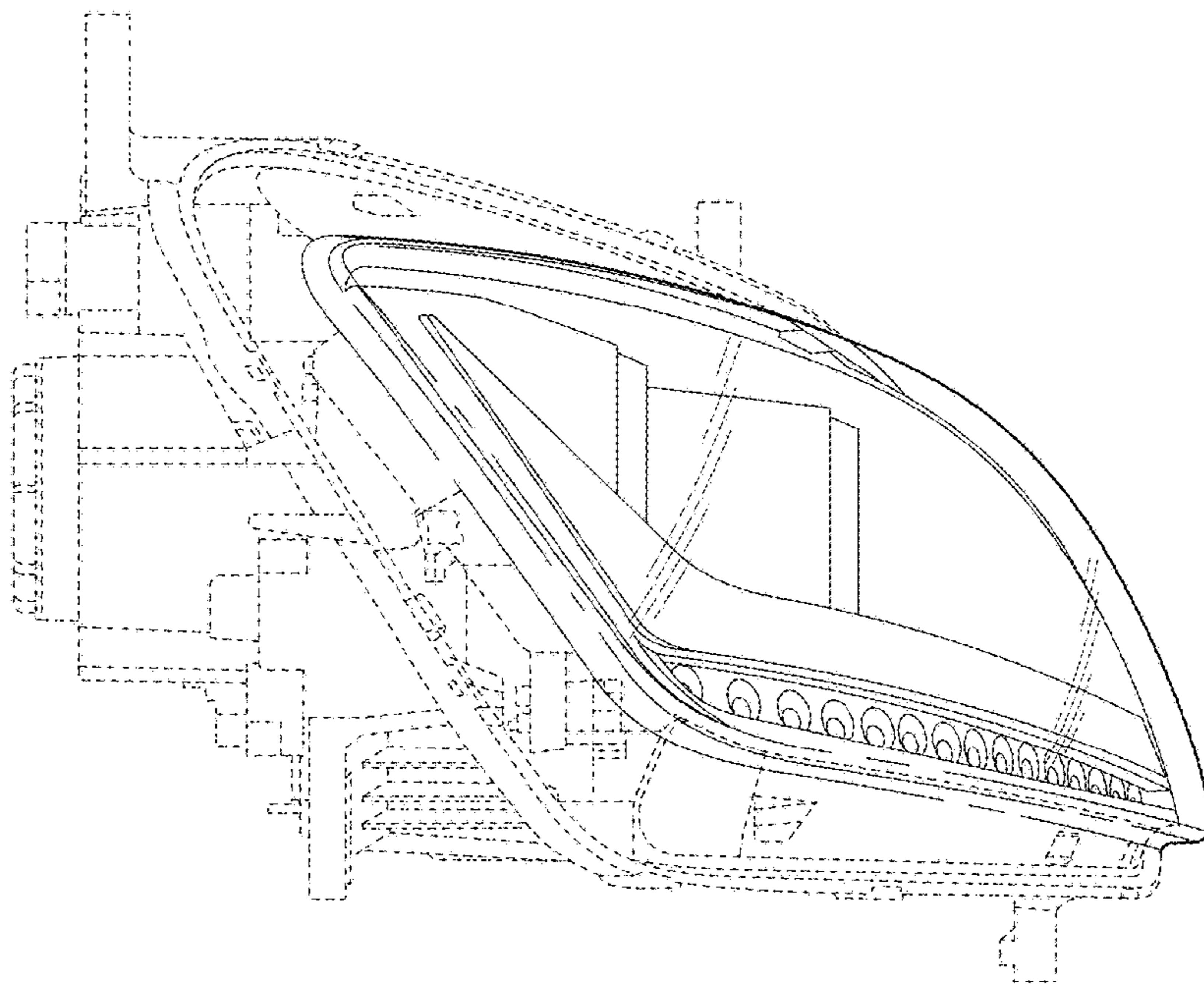


FIG. 3

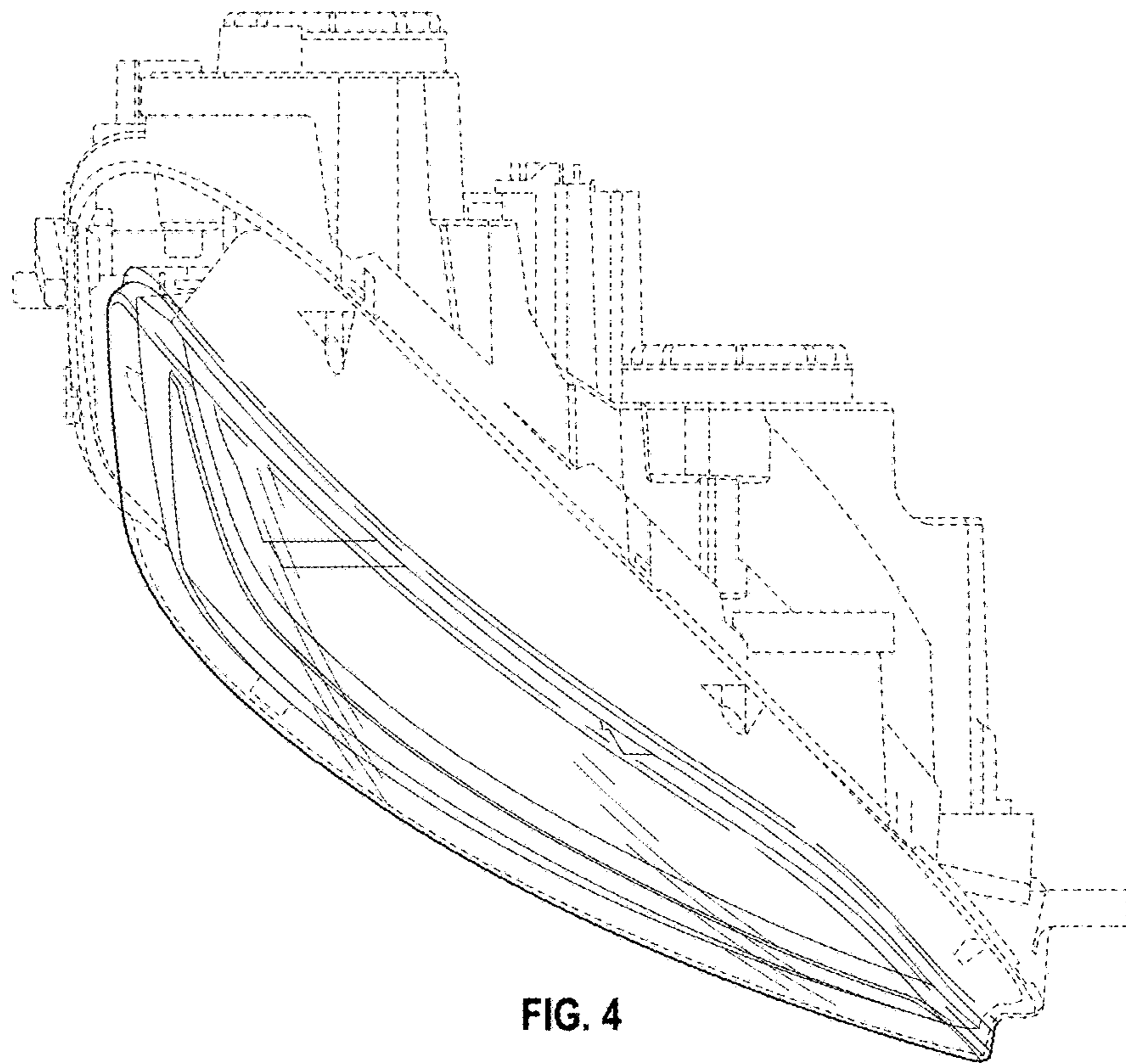


FIG. 4