



US00D858809S

(12) **United States Design Patent** (10) **Patent No.:** **US D858,809 S**
Kang (45) **Date of Patent:** **** Sep. 3, 2019**

(54) **RHOMBUS LED MODULE CASING**
(71) Applicant: **Robby Hoon Kang**, Irvine, CA (US)
(72) Inventor: **Robby Hoon Kang**, Irvine, CA (US)
(**) Term: **15 Years**
(21) Appl. No.: **29/607,674**
(22) Filed: **Jun. 15, 2017**
(51) **LOC (12) Cl.** **26-03**
(52) **U.S. Cl.**
USPC **D26/24**
(58) **Field of Classification Search**
USPC D26/1, 24, 25, 28, 51, 72, 76, 80, 104;
D13/180
CPC ... F21V 13/04; F21V 5/00; F21V 5/04; F21V
5/08; F21V 5/007; F21V 21/30; F21V
7/09; F21V 9/16; F21V 31/04; F21L
4/00; G09F 13/00; G09F 13/04
See application file for complete search history.

(56) **References Cited**

U.S. PATENT DOCUMENTS

D603,549 S * 11/2009 Ng D26/80
D642,726 S * 8/2011 Khubani D26/37
D663,048 S * 7/2012 Chen D26/1
D672,900 S * 12/2012 Gailly D26/80
D696,439 S * 12/2013 He D26/24
D696,801 S * 12/2013 He D26/24
9,057,498 B2 * 6/2015 Nall F21V 5/04
D743,353 S * 11/2015 Freeman D13/180
D754,618 S * 4/2016 Freeman D13/180
D756,548 S * 5/2016 Wang D26/24
D776,835 S * 1/2017 Zhang D26/1
D784,574 S * 4/2017 Wang D13/180

D802,175 S * 11/2017 Yang D26/1
D802,176 S * 11/2017 Tan D26/1
D823,496 S * 7/2018 Farnsworth D26/24
D835,305 S * 12/2018 Farnsworth D26/24
2011/0194284 A1 * 8/2011 Quaal F21V 21/0808
362/249.02
2013/0042510 A1 * 2/2013 Nall F21V 5/04
40/541
2013/0335964 A1 * 12/2013 Zanotto F21V 5/08
362/235
2014/0118990 A1 * 5/2014 Ki F21V 9/16
362/84
2014/0268818 A1 * 9/2014 Huang F21V 5/04
362/335
2015/0369448 A1 * 12/2015 Clauss F21V 31/005
362/311.02
2017/0206813 A1 * 7/2017 Huang F21V 5/04
2017/0309205 A1 * 10/2017 Wang F21V 5/002

* cited by examiner

Primary Examiner — Wan Laymon
Assistant Examiner — Clint A Samuel

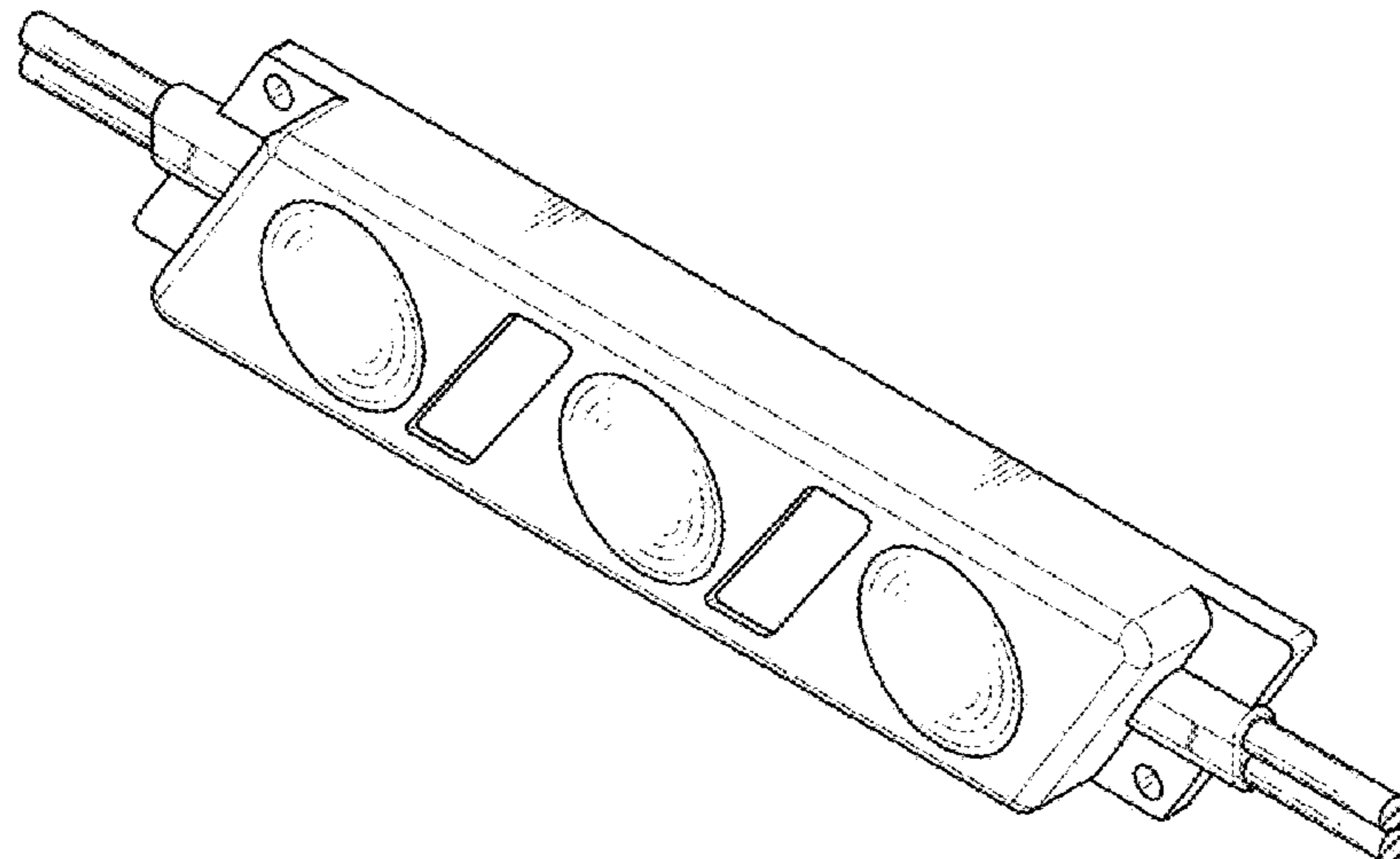
(57) **CLAIM**

The ornamental design for a rhombus LED module casing, as shown and described.

DESCRIPTION

FIG. 1 is an isometric view of a rhombus LED module casing showing my new design;
FIG. 2 is a top plan view thereof;
FIG. 3 is a bottom plan view thereof;
FIG. 4 is a rear side elevation view thereof;
FIG. 5 is a front side elevation view thereof;
FIG. 6 is a left side elevation view thereof; and,
FIG. 7 is a right side elevation view of thereof.

1 Claim, 3 Drawing Sheets



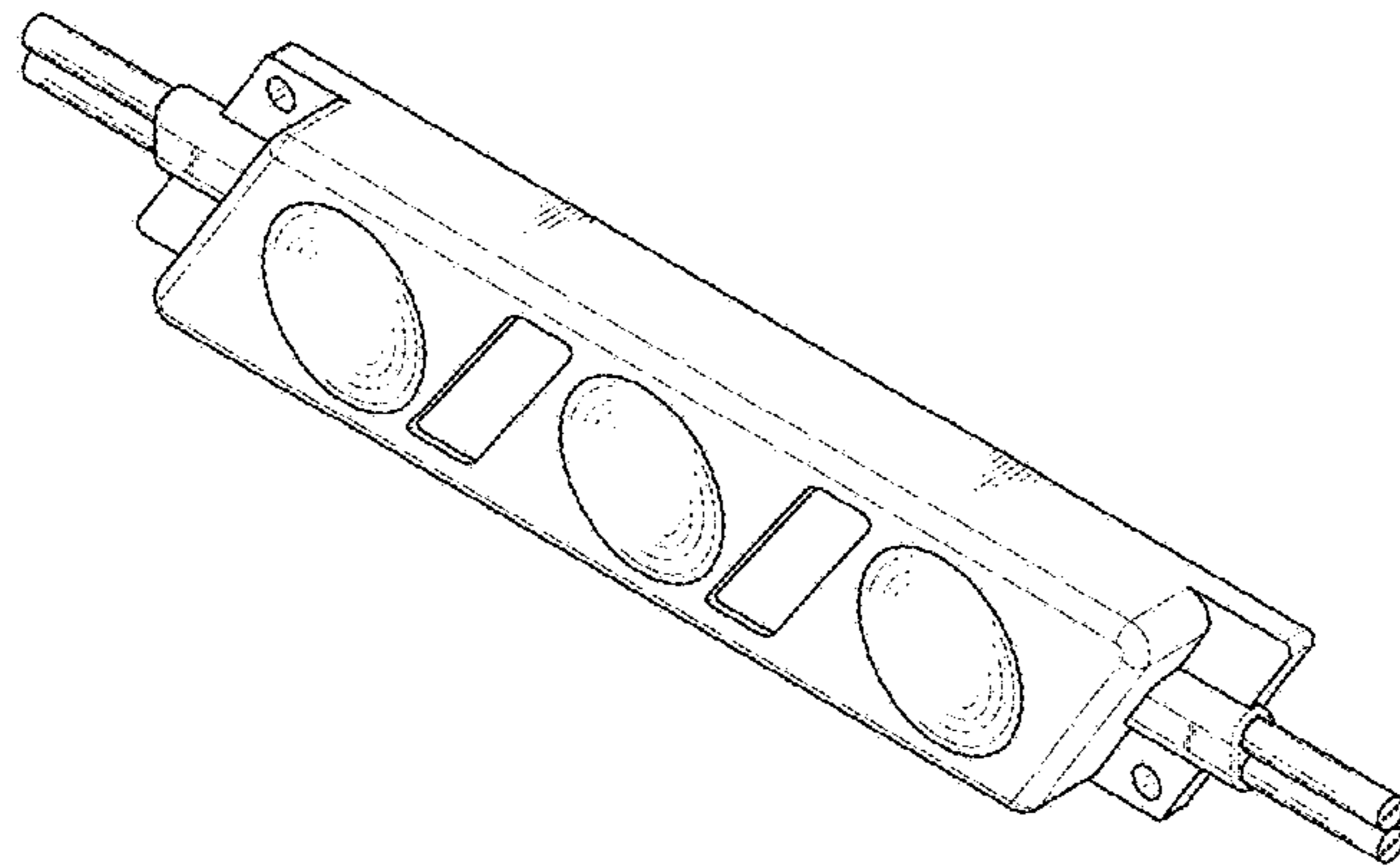


FIG. 1

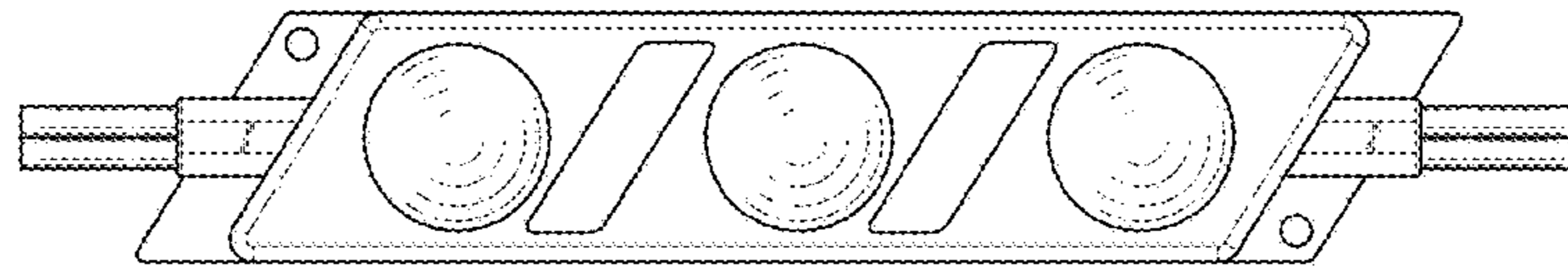


FIG. 2



FIG. 3



FIG. 4

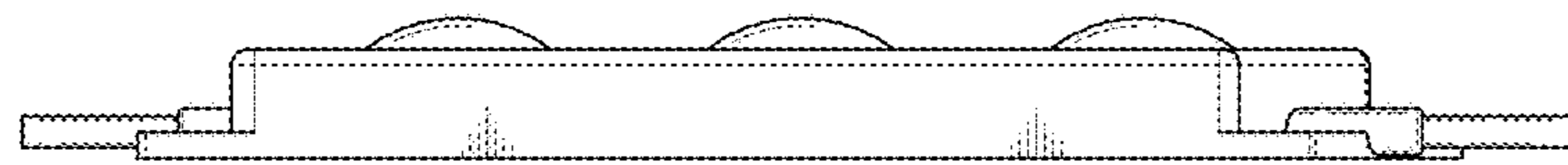


FIG. 5

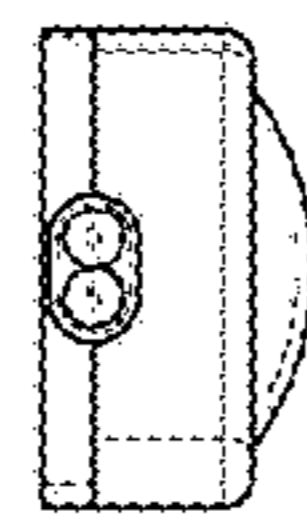


FIG. 6

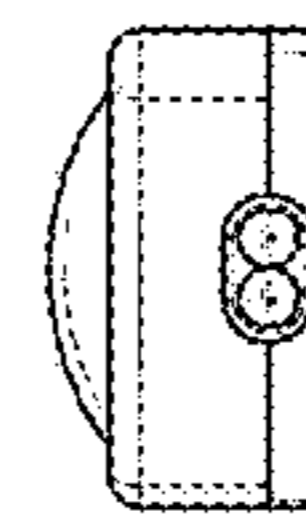


FIG. 7