



US00D858807S

(12) **United States Design Patent** (10) **Patent No.:** **US D858,807 S**
Hollinger (45) **Date of Patent:** **** Sep. 3, 2019**

- (54) **BULB**
- (71) Applicant: **E. MISHAN & SONS, INC.**, New York, NY (US)
- (72) Inventor: **Fred Hollinger**, Monroe Township, NJ (US)
- (73) Assignee: **E. MISHAM & SONS, INC.**, New York, NY (US)
- (**) Term: **15 Years**
- (21) Appl. No.: **29/671,525**
- (22) Filed: **Nov. 28, 2018**
- (51) **LOC (12) Cl.** **26-04**
- (52) **U.S. Cl.**
USPC **D26/2**
- (58) **Field of Classification Search**
USPC D26/1-4
CPC H01R 5/00; H01R 13/46; H01R 13/514;
H01R 31/048; H01R 31/02; H01J 5/00;
H01J 5/16; H01J 1/02; H01J 15/00; H01J
5/48; H01J 5/50; H01J 19/54; F21V 5/00;
F21K 9/00; F21K 13/00
See application file for complete search history.

D574,091	S	*	7/2008	Sun	D26/2
D589,175	S	*	3/2009	Xue	D26/2
D605,786	S	*	12/2009	Lim	D26/2
9,689,544	B2		6/2017	Green, Jr.		
9,857,039	B2		1/2018	Jagt et al.		
10,125,937	B2		11/2018	Green, Jr.		
2013/0033195	A1		2/2013	Liao		

OTHER PUBLICATIONS

Yizco, Dilisens, et al., https://www.amazon.com/Outside-Flickering-Lighting-Christmas-Decoration/dp/B07K6K3ZDB/ref=asc_df_B07K6K3ZDB/?tag=bingshoppinga-20&linkCode=df0&hvadid={creative}&hvpos={adposition}&hvnetw=o&hvrand={random}&hvpone=&hvptwo=&hvqmt=e&hvdev=c&hvdvcmdl={devicemodel}&hvlocint=&hvlocphy=&hvtargid=pla-4584138858145348&psc=1.

* cited by examiner

Primary Examiner — Marcus A Jackson
(74) *Attorney, Agent, or Firm* — Notaro, Michalos & Zaccaria P.C.

(57) **CLAIM**

The ornamental design for a bulb, as shown and described.

DESCRIPTION

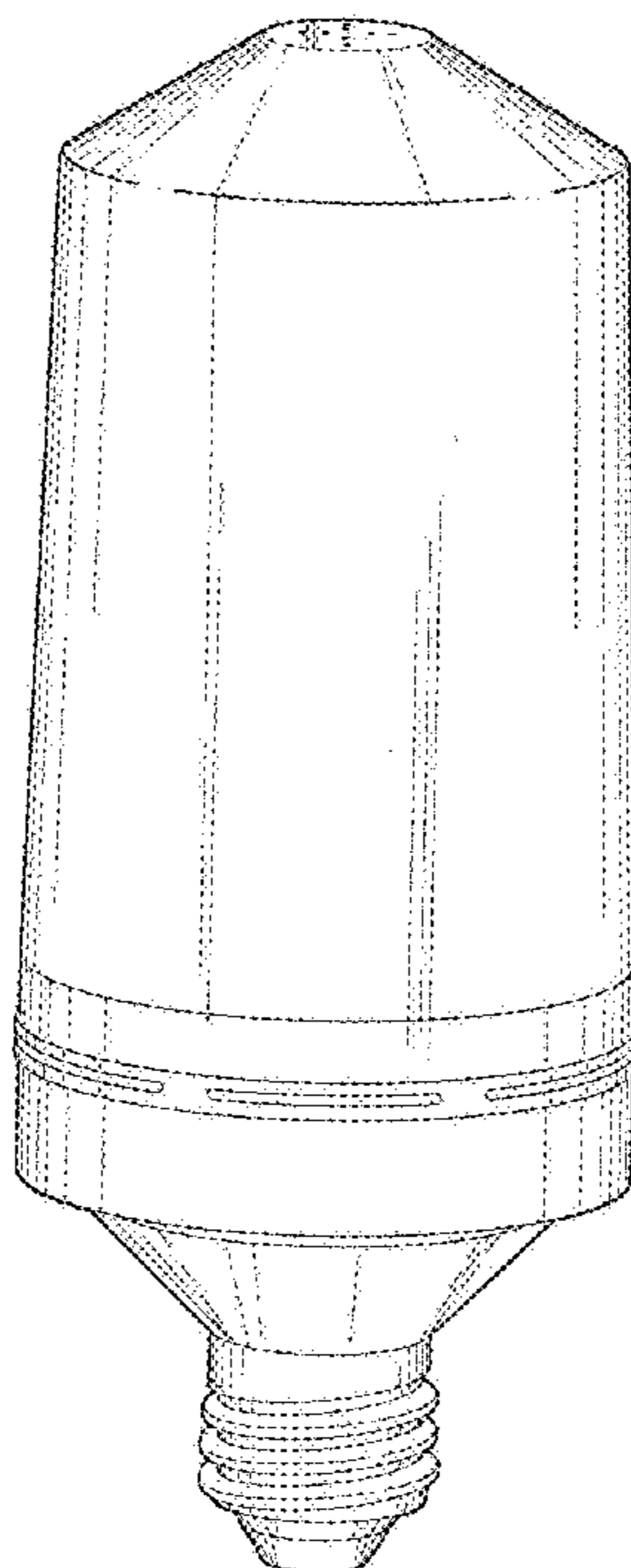
FIG. 1 is a front elevational view of a bulb showing my new design therefor;
FIG. 2 is a left side elevational view thereof;
FIG. 3 is a right side elevational view thereof;
FIG. 4 is a top plan view thereof; and,
FIG. 5 is a bottom plan view thereof.

1 Claim, 4 Drawing Sheets

(56) **References Cited**

U.S. PATENT DOCUMENTS

D499,820	S	*	12/2004	Foo	D26/2
D508,575	S	*	8/2005	Buschmann	D26/2
D528,673	S	*	9/2006	Maxik	D26/2
D534,665	S	*	1/2007	Egawa	D26/2



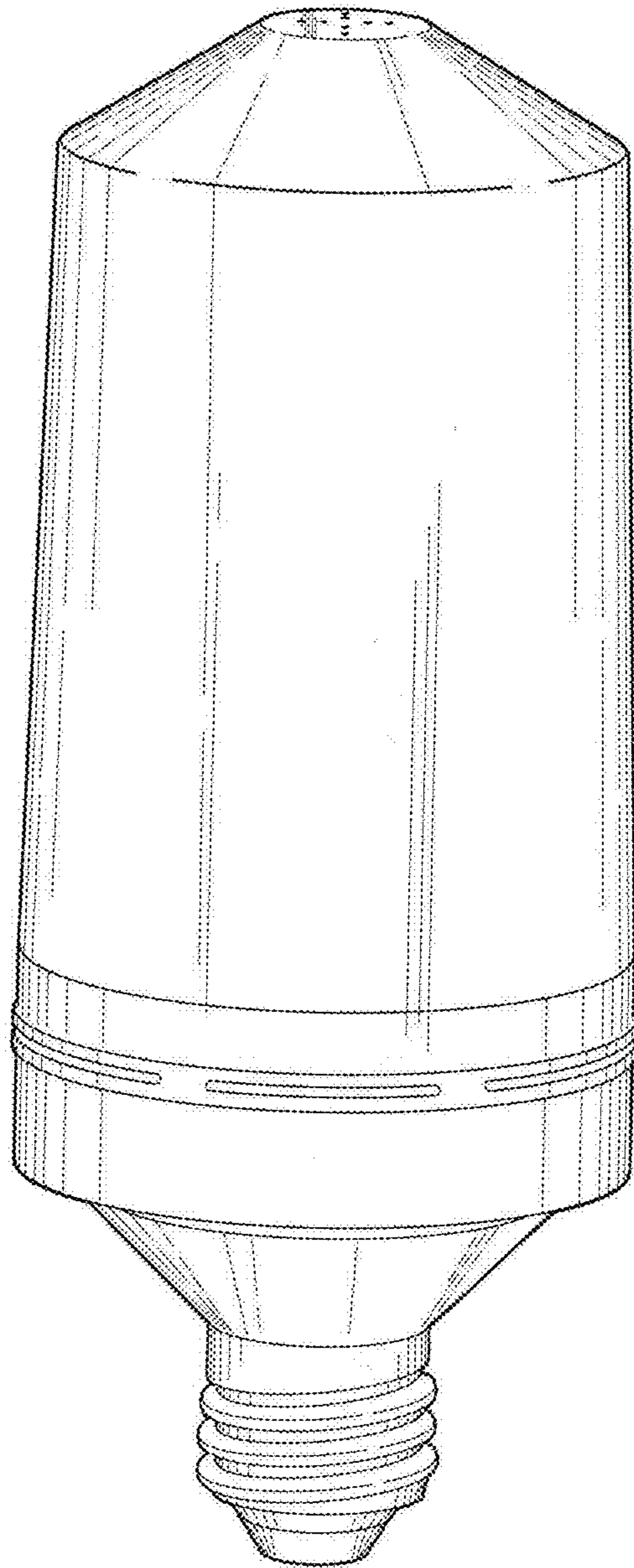


Fig. 1

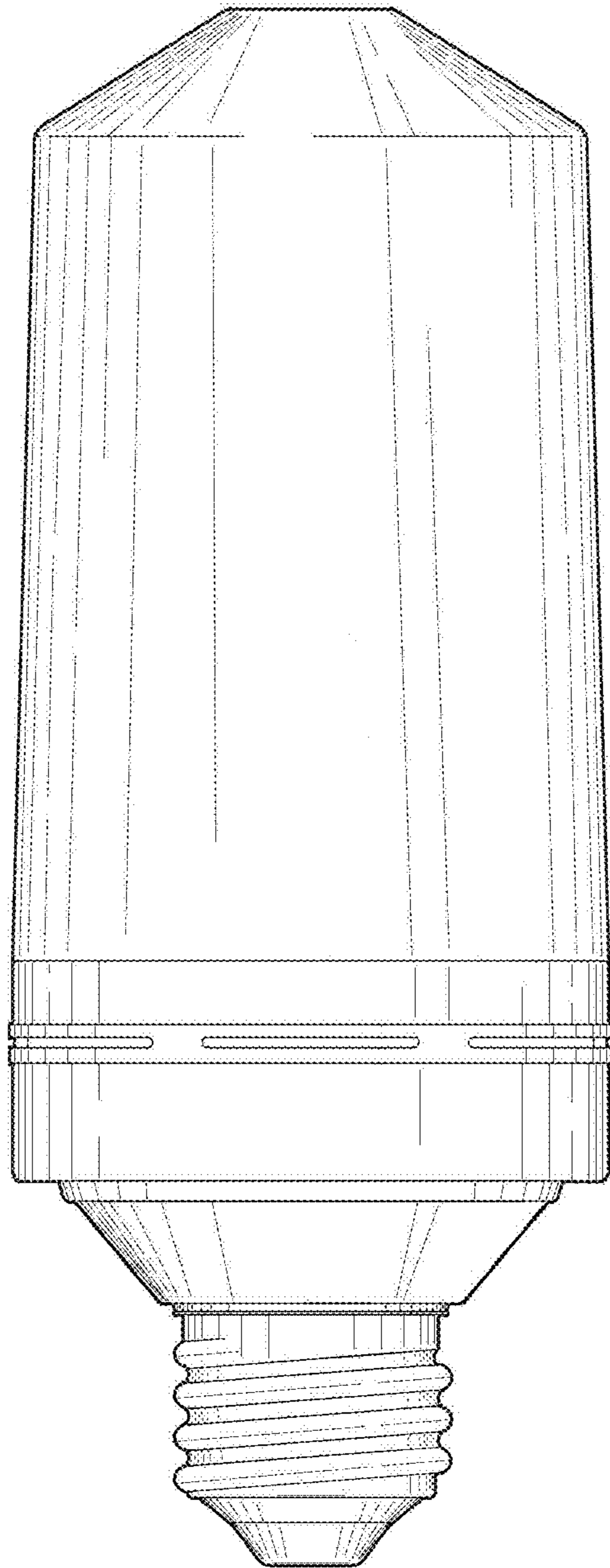


Fig. 2

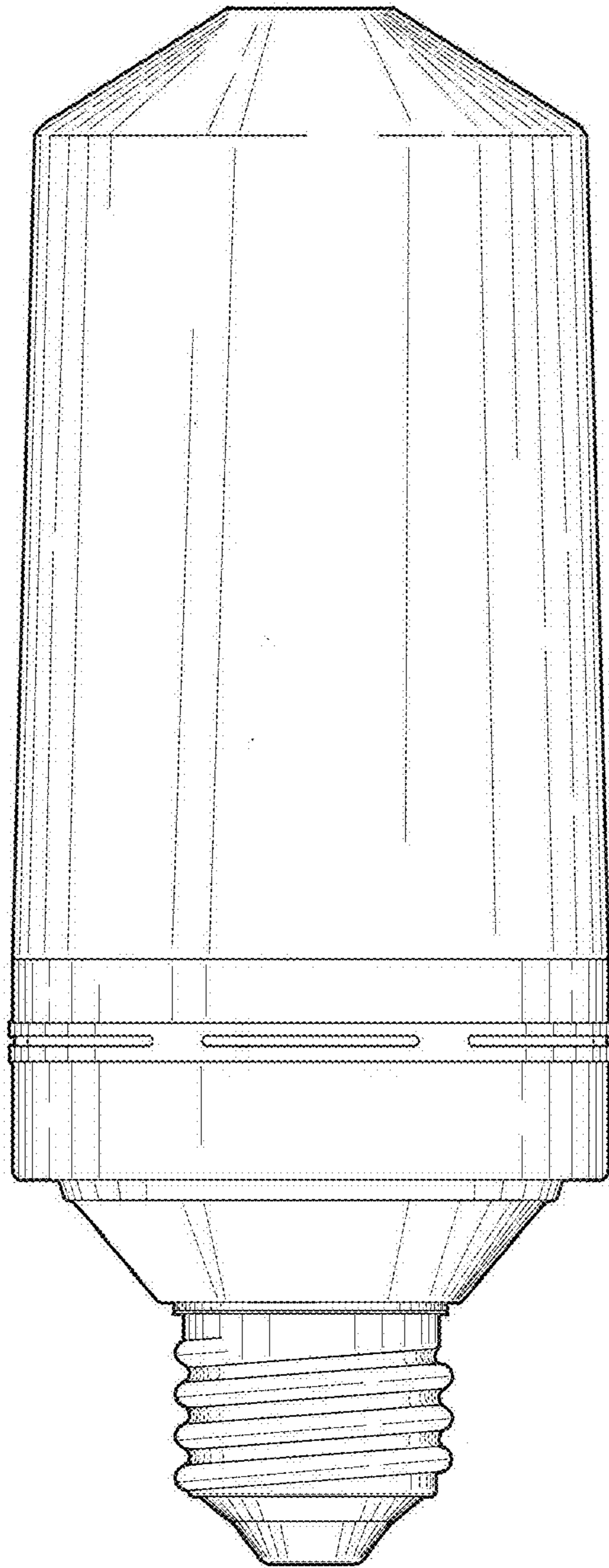


Fig. 3

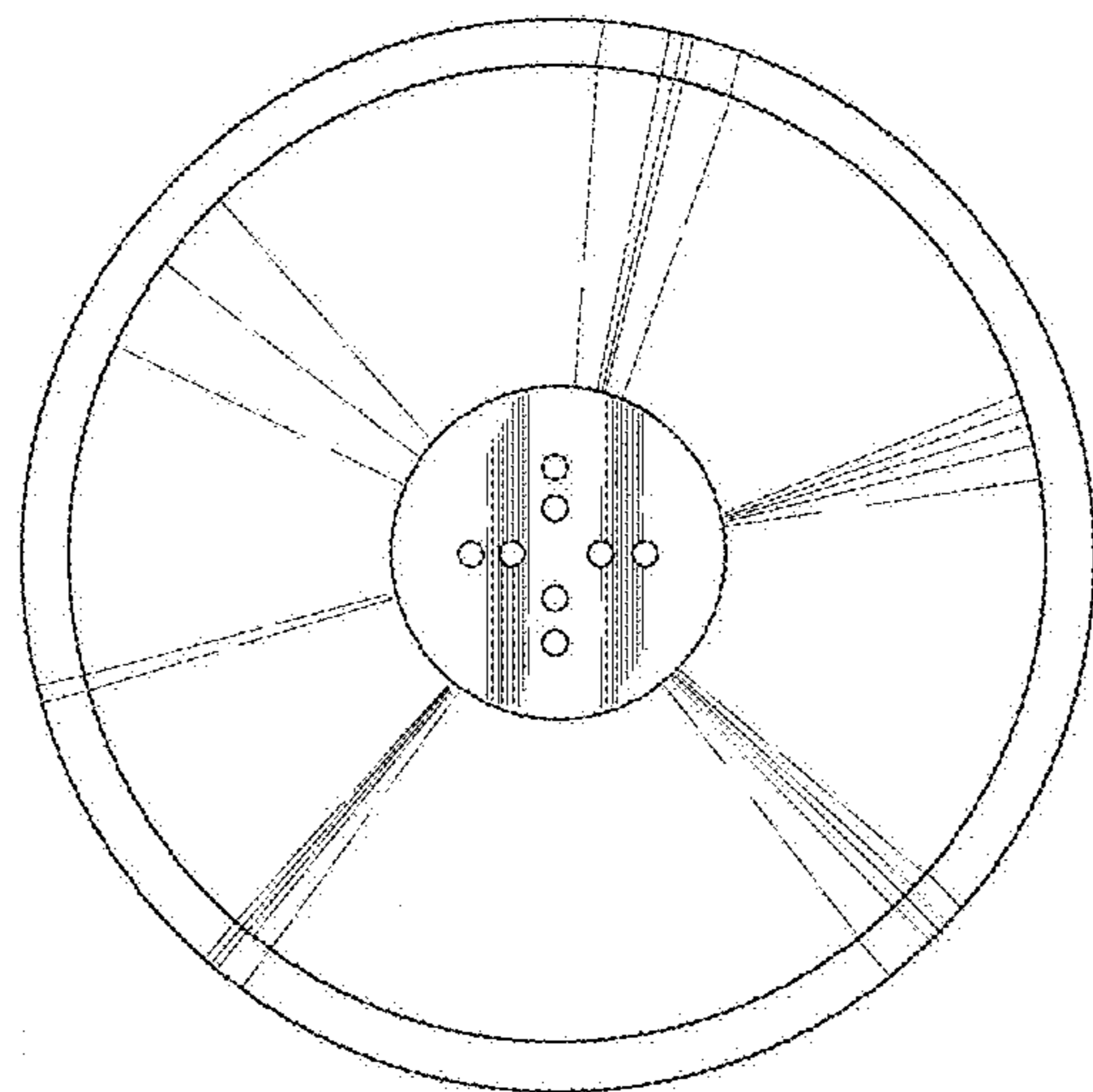


Fig. 4

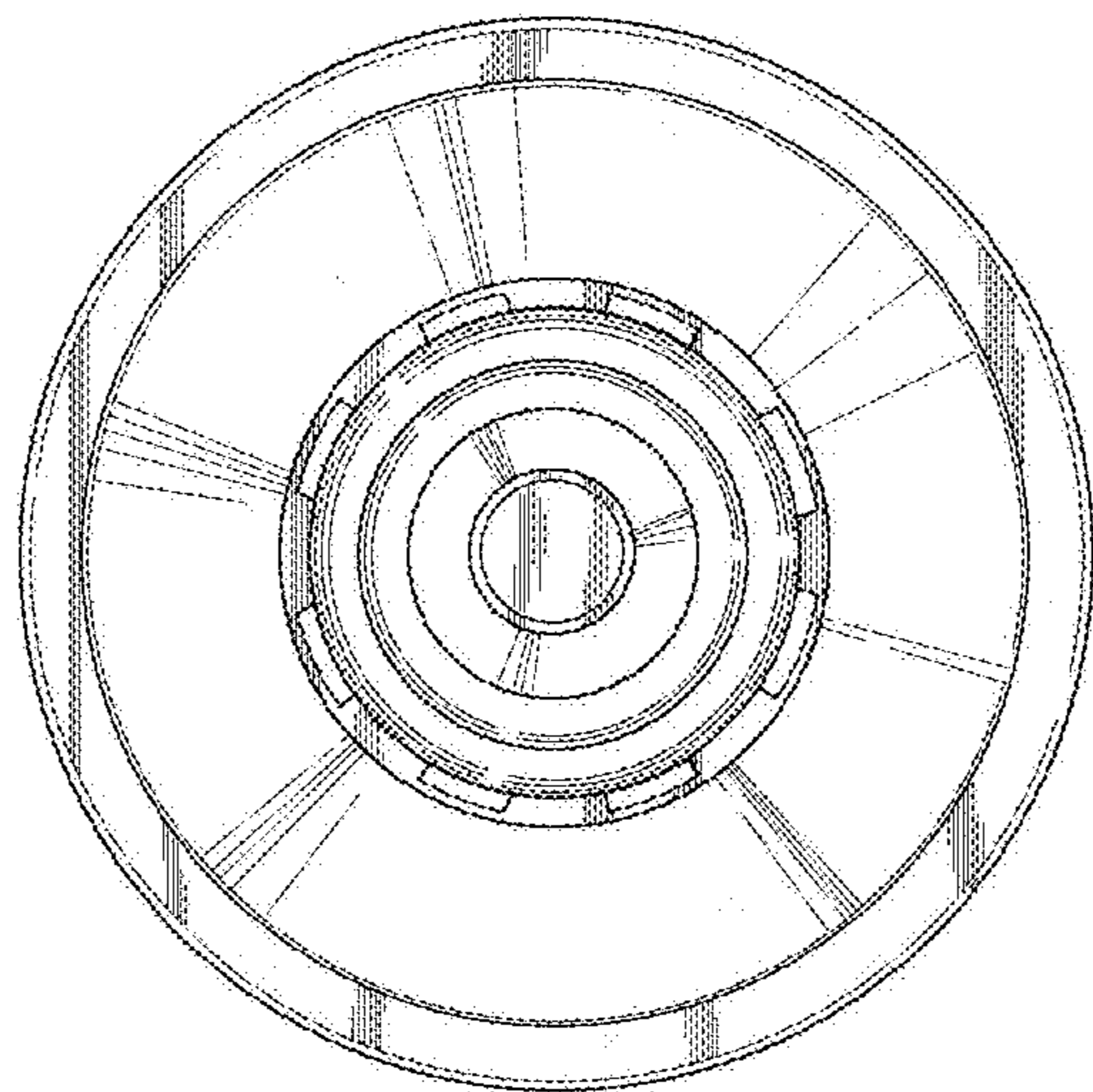


Fig. 5