



US00D858804S

(12) **United States Design Patent**  
**Elisary**

(10) **Patent No.:** **US D858,804 S**  
(45) **Date of Patent:** **\*\* Sep. 3, 2019**

- (54) **MODULAR ROOFING SYSTEM TILE**
- (71) Applicant: **Kelvin D. Elisary**, Oroville, CA (US)
- (72) Inventor: **Kelvin D. Elisary**, Oroville, CA (US)
- (\*\*) Term: **15 Years**
- (21) Appl. No.: **29/570,126**
- (22) Filed: **Jul. 5, 2016**

**Related U.S. Application Data**

- (62) Division of application No. 13/527,564, filed on Jun. 19, 2012, now abandoned.
- (51) **LOC (12) Cl.** ..... **25-01**
- (52) **U.S. Cl.**  
USPC ..... **D25/140**; D25/138
- (58) **Field of Classification Search**  
USPC ..... D25/138-163, 113, 117; 52/387, 392,  
52/173.3, 11, 309.4; 404/34, 41, 50  
CPC ..... E01C 13/045; E04F 15/02; E04F 15/10;  
E04F 15/22; E04F 15/022; E04F 15/16;  
E04F 2201/0153; E04F 15/04; E04F  
15/18; E04D 1/12; E04D 2001/3411;  
E04D 1/00; E04D 3/35; E04D 13/00;  
E04D 13/17; F24S 2020/17; F24S  
2020/18; F24S 20/69; H02S 20/23; H02S  
20/25; H02S 40/36; E04B 2/00  
See application file for complete search history.

(56) **References Cited**

**U.S. PATENT DOCUMENTS**

- 321,403 A \* 6/1885 Underwood ..... 404/37
- 1,548,911 A \* 8/1925 Sherman ..... B32B 13/10  
428/106
- 2,114,474 A \* 4/1938 Labra ..... E04F 15/08  
404/41
- 4,321,416 A \* 3/1982 Tennant ..... H01L 31/05  
136/244

- 4,486,994 A \* 12/1984 Fisher ..... E04B 1/6116  
264/46.5
- 4,578,909 A \* 4/1986 Henley ..... E04B 1/74  
52/210
- 4,655,018 A \* 4/1987 Pardo ..... E04D 3/04  
52/302.3
- 4,720,948 A \* 1/1988 Henley ..... E04B 1/74  
52/404.3
- 5,377,470 A \* 1/1995 Hebinck ..... E04B 1/14  
52/309.12
- 5,519,971 A \* 5/1996 Ramirez ..... E04C 2/288  
52/220.2
- 5,702,208 A \* 12/1997 Hilfiker ..... E02D 17/205  
404/40
- 6,037,031 A \* 3/2000 Jones ..... B63B 5/24  
428/71
- 6,584,742 B1 \* 7/2003 Kligler ..... E04B 2/58  
52/241
- D509,604 S \* 9/2005 Zarifian ..... D25/158

(Continued)

*Primary Examiner* — Kevin K Rudzinski  
*Assistant Examiner* — Kimberly Barnes  
(74) *Attorney, Agent, or Firm* — Charmasson, Buchaca & Leach, LLP

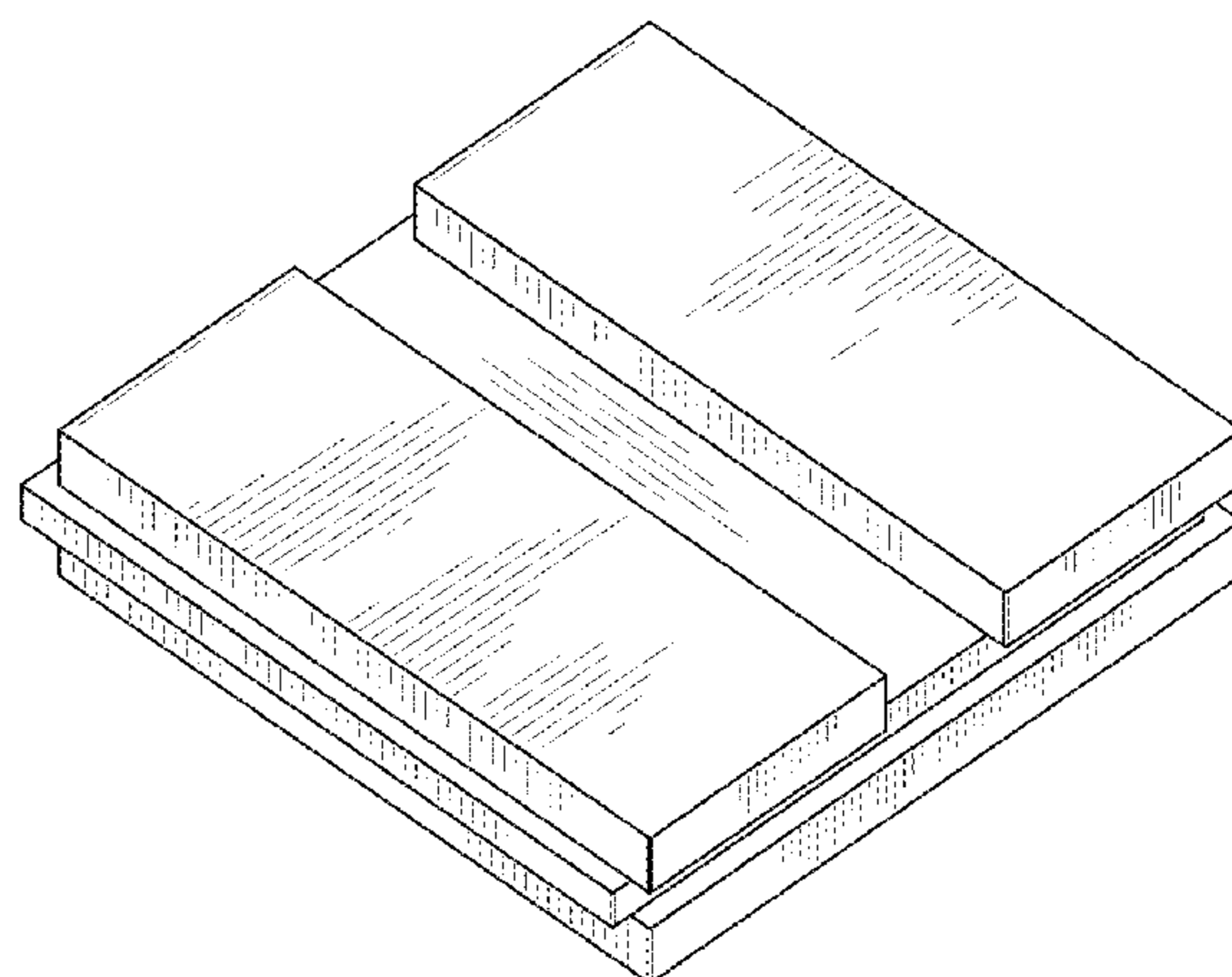
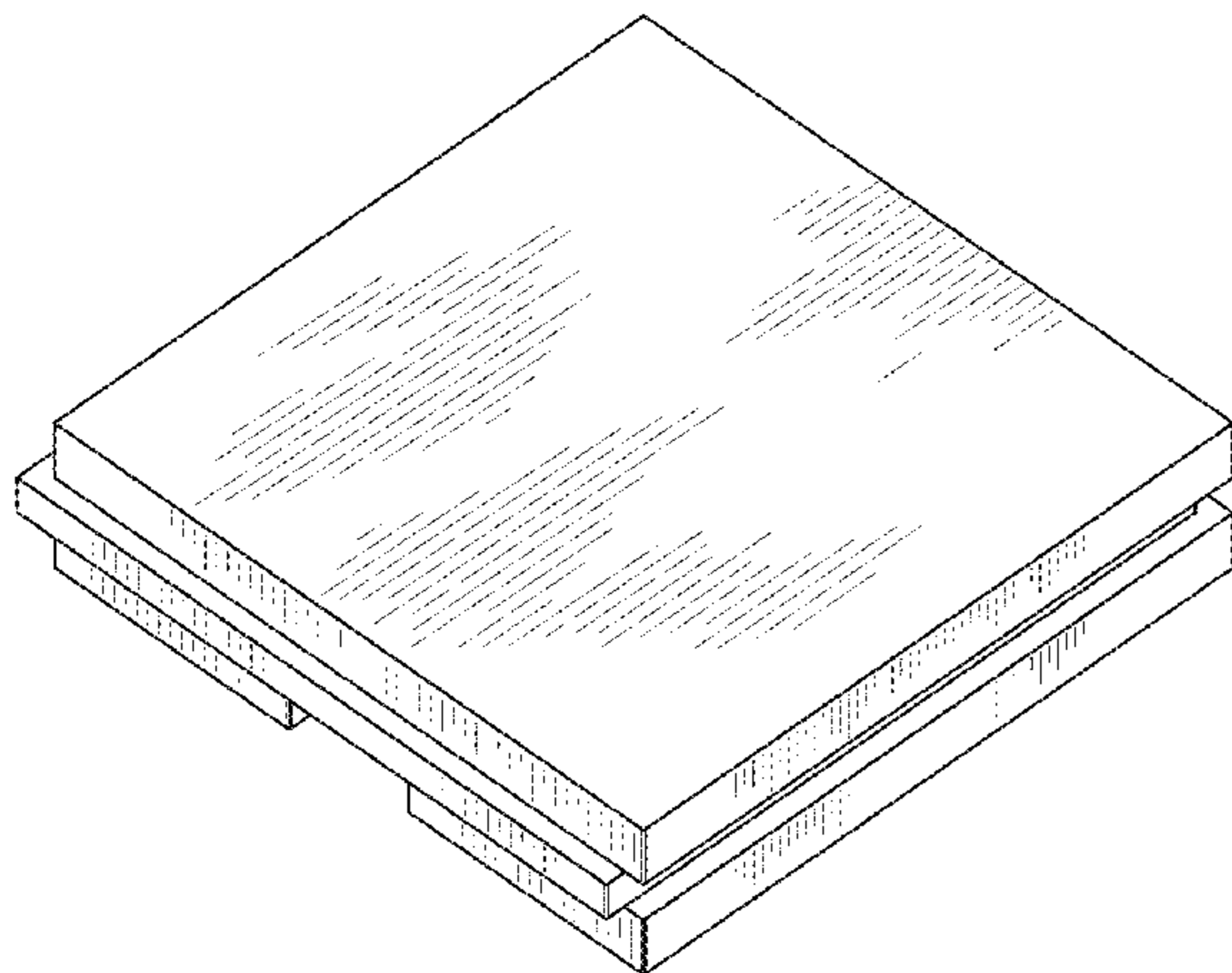
(57) **CLAIM**

The ornamental design for a modular roofing system tile, as shown and described.

**DESCRIPTION**

FIG. 1 is a front, top, left perspective view of a modular roofing system tile showing my new design.  
FIG. 2 is a back, bottom, right perspective view thereof.  
FIG. 3 is a top plan view thereof.  
FIG. 4 is a bottom plan view thereof.  
FIG. 5 is a front elevation view thereof.  
FIG. 6 is a back elevation view thereof.  
FIG. 7 is a left elevation view thereof; and,  
FIG. 8 is a right elevation view thereof.

**1 Claim, 3 Drawing Sheets**



(56)

**References Cited**

U.S. PATENT DOCUMENTS

7,607,271 B2 \* 10/2009 Griffin ..... E04C 2/296  
52/478  
7,870,691 B2 \* 1/2011 Williams ..... E04D 11/002  
47/65.9  
7,918,623 B2 \* 4/2011 Lacroix ..... E01O 5/005  
404/35  
8,349,444 B2 \* 1/2013 Kipp ..... C04B 28/26  
428/318.4  
9,328,506 B2 \* 5/2016 Gibson ..... E04B 1/76  
9,702,147 B2 \* 7/2017 Babson ..... E04B 1/26  
9,957,686 B2 \* 5/2018 Zarraonandia ..... E02D 27/01  
2004/0226247 A1 \* 11/2004 Byrd ..... E04D 3/35  
52/518  
2005/0129913 A1 \* 6/2005 Kobayashi ..... E04D 13/1687  
428/167  
2009/0126299 A1 \* 5/2009 Rozhkov ..... E04C 2/296  
52/309.4  
2010/0139184 A1 \* 6/2010 Williams ..... E04D 11/002  
52/173.3  
2013/0333303 A1 \* 12/2013 Elisary ..... H02S 20/23  
52/11  
2014/0179220 A1 \* 6/2014 Railkar ..... E04D 3/30  
454/365  
2016/0237683 A1 \* 8/2016 Husin-Ali ..... E04C 2/46  
2017/0130474 A1 \* 5/2017 Rebollar Buldain ... E04H 1/005  
2017/0370100 A1 \* 12/2017 Ben-Zeev ..... E02D 27/02

\* cited by examiner

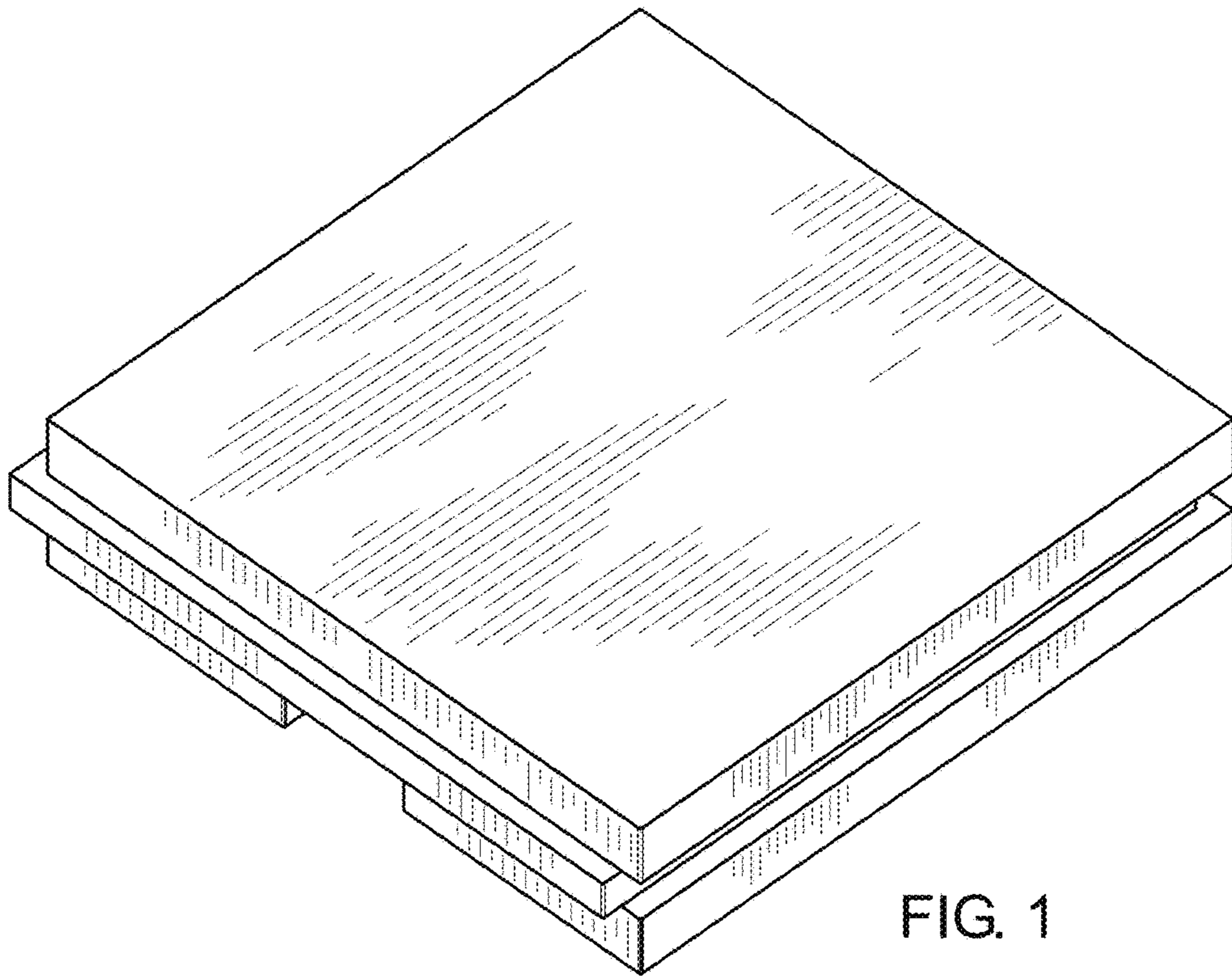


FIG. 1

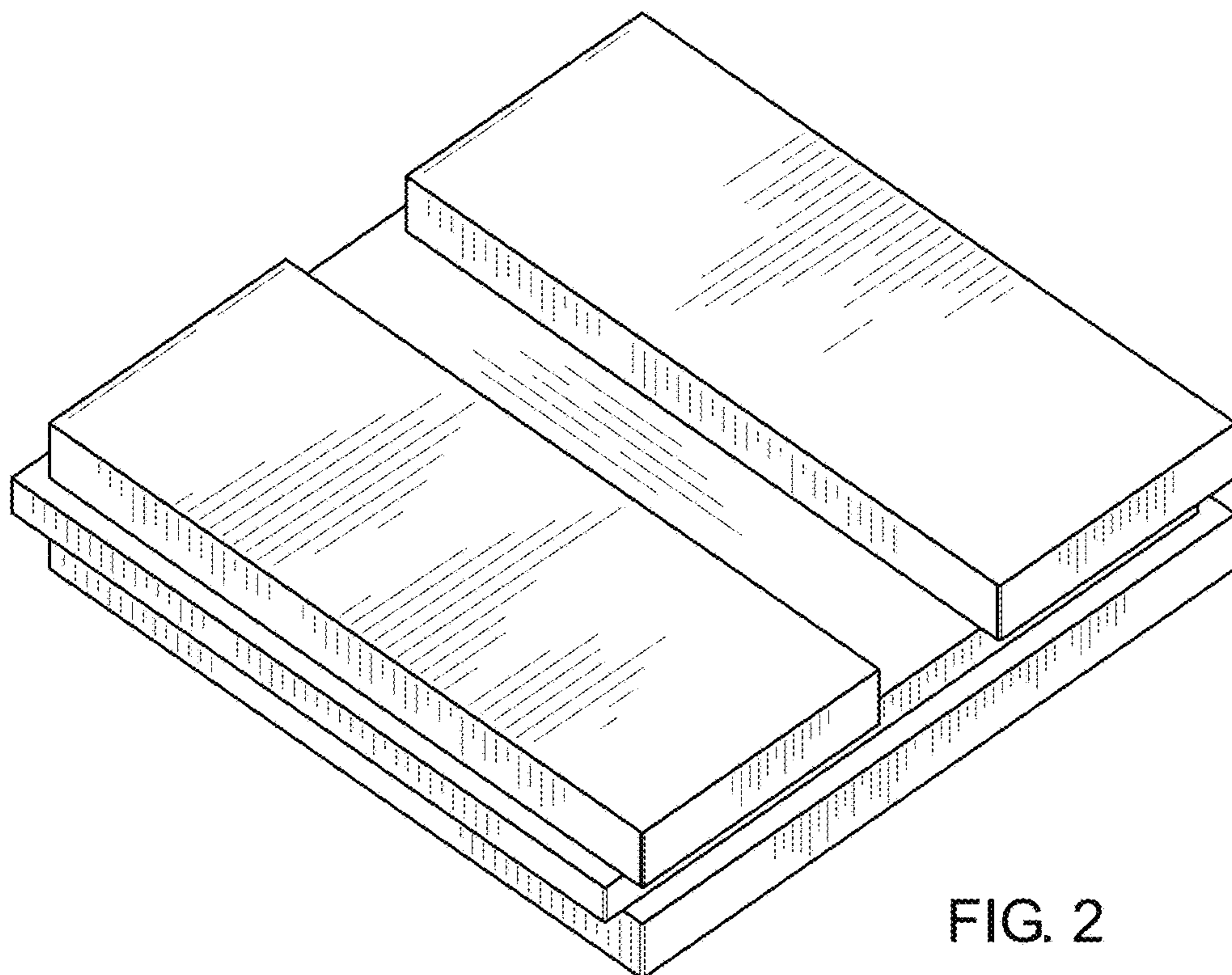


FIG. 2

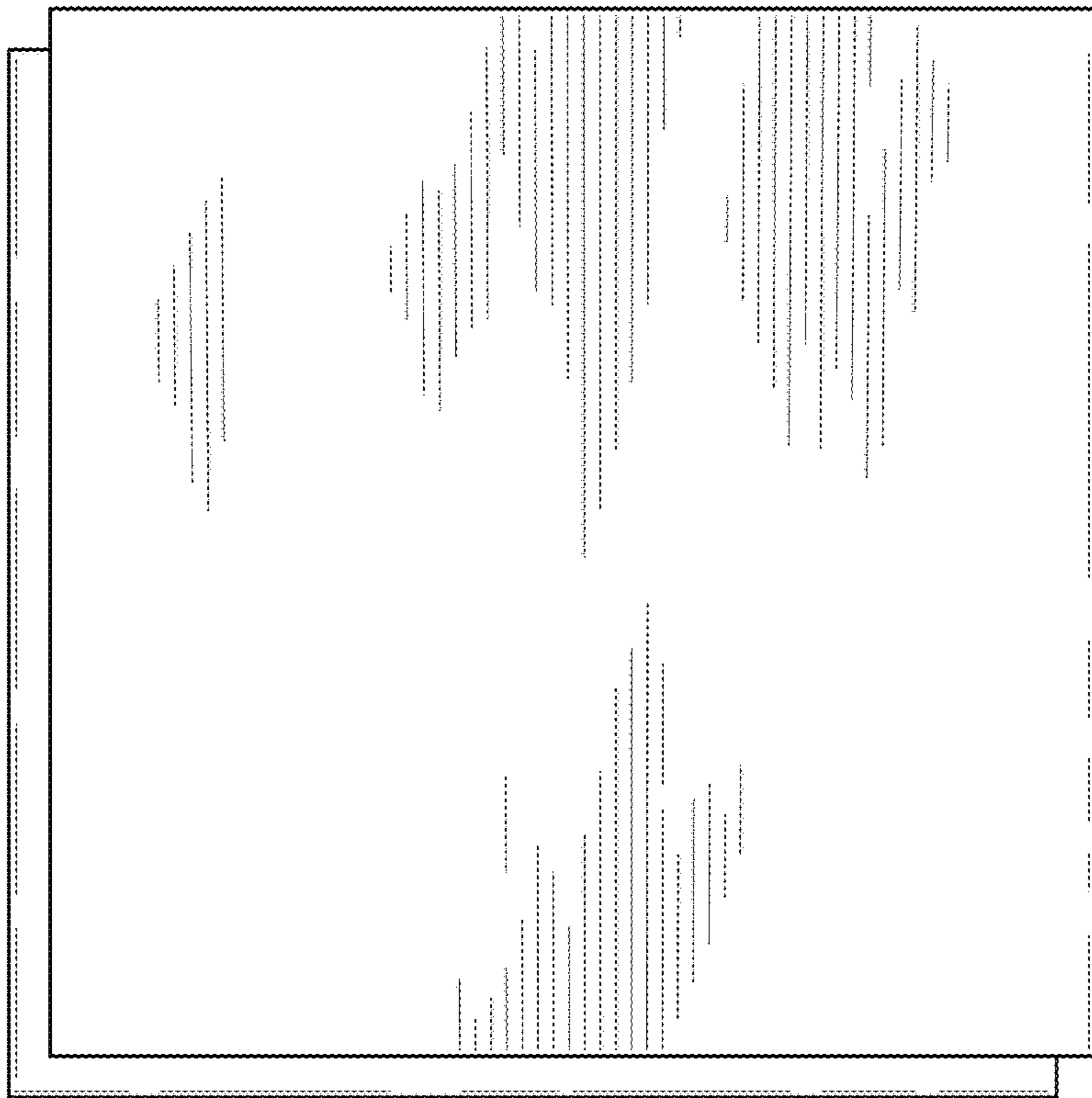


FIG. 3

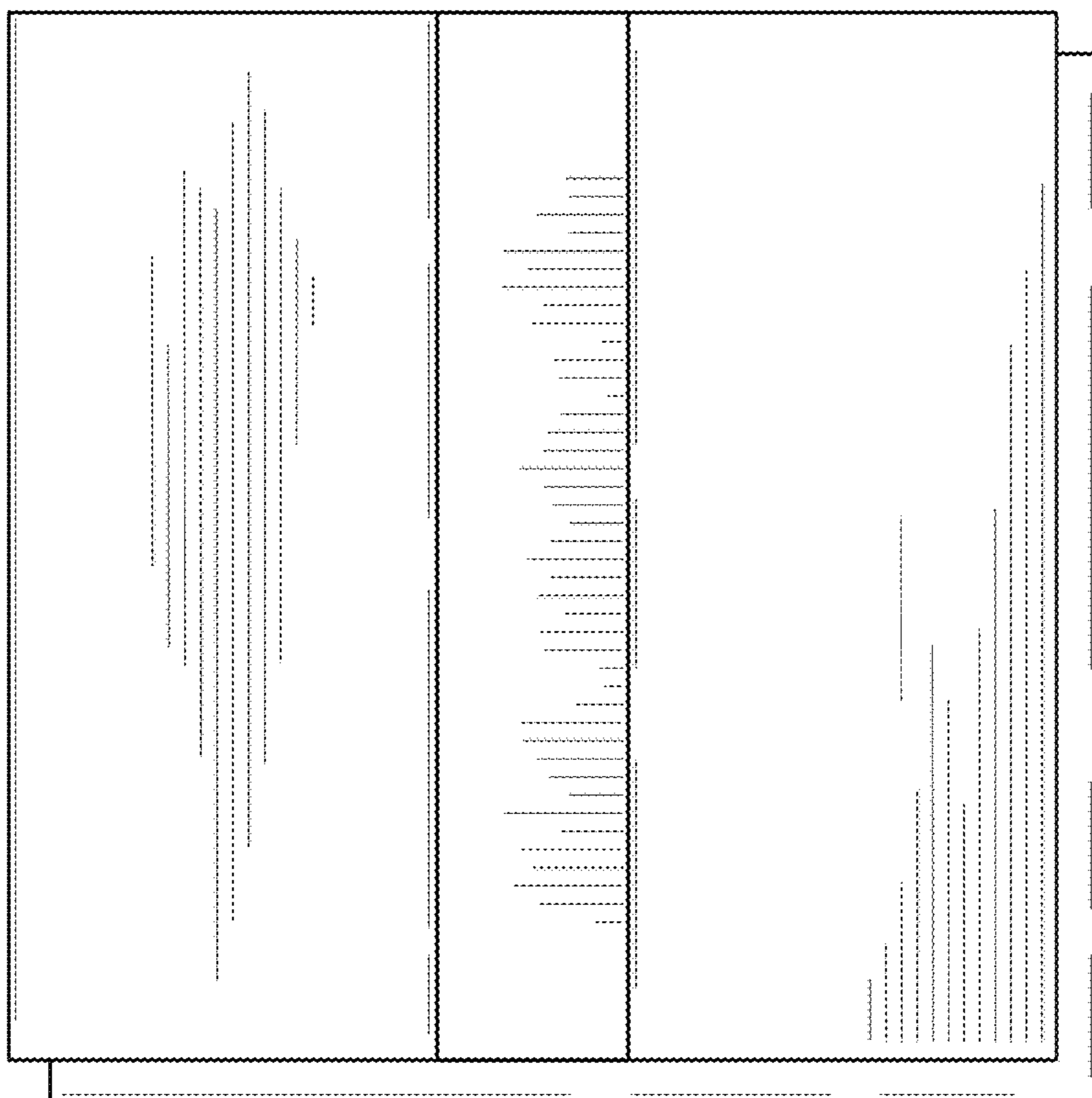


FIG. 4

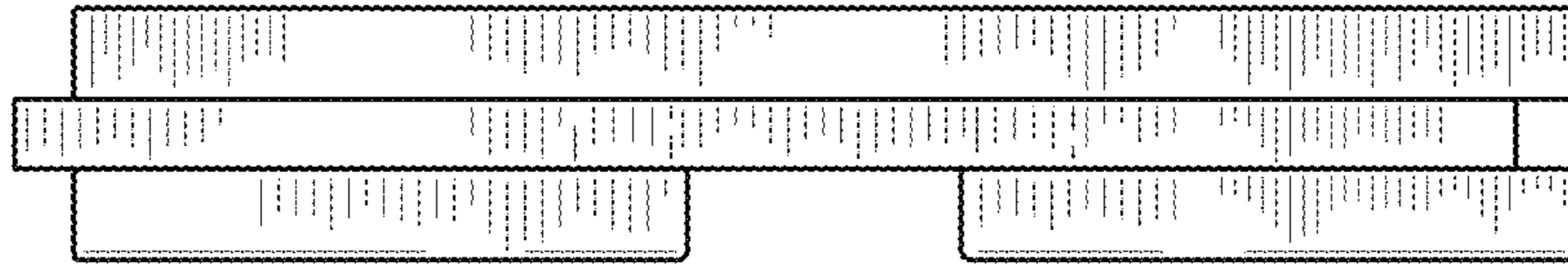


FIG. 5

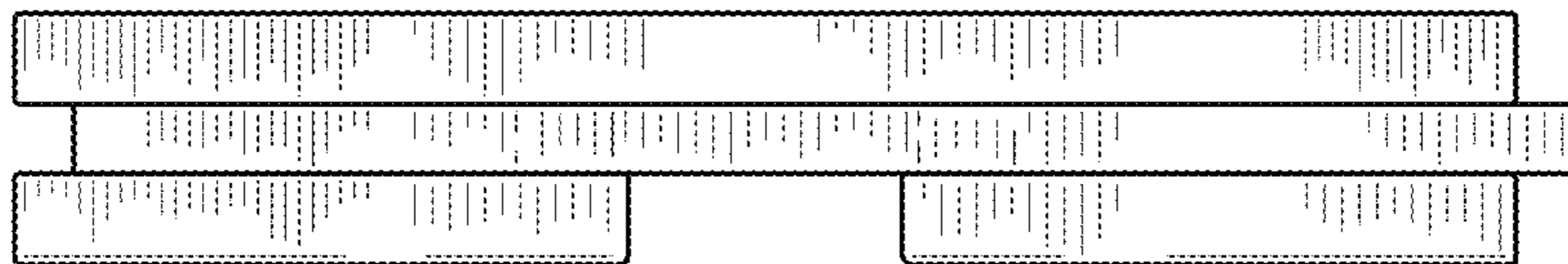


FIG. 6

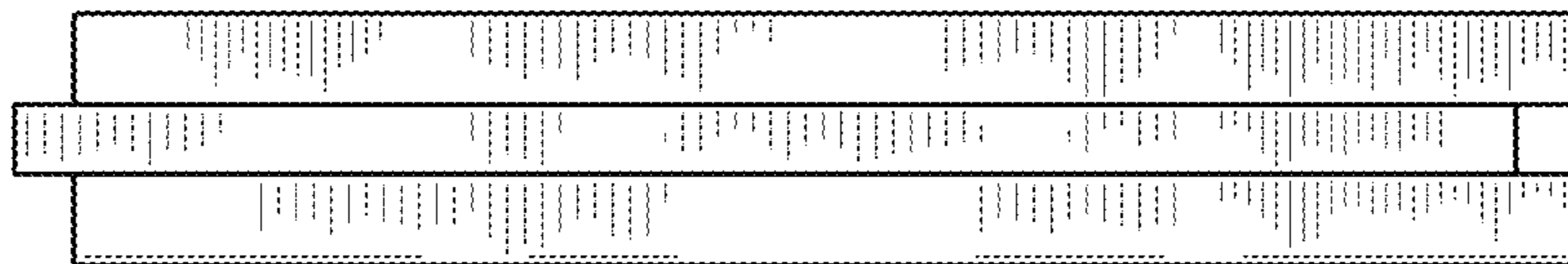


FIG. 7

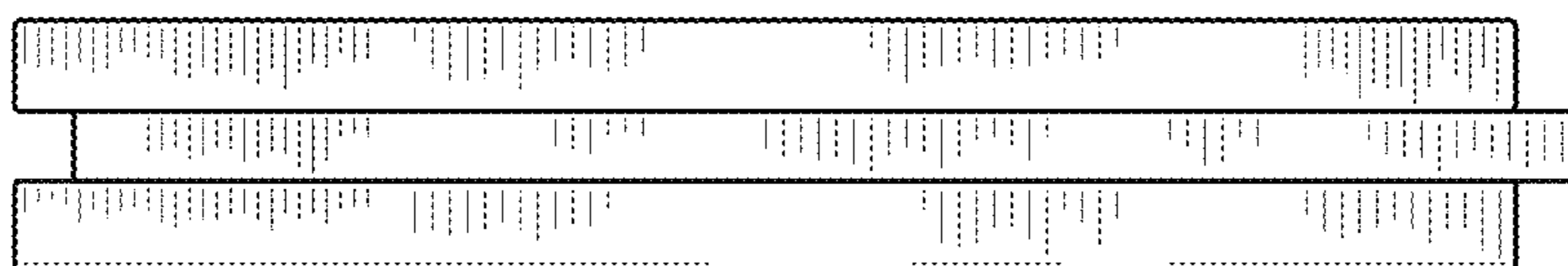


FIG. 8