



US00D858803S

(12) **United States Design Patent**
Wiggins

(10) **Patent No.:** **US D858,803 S**

(45) **Date of Patent:** **** Sep. 3, 2019**

(54) **WALL PANEL WITH OCTAGONAL-SHAPED MOUNT**

(71) Applicant: **Robert E Wiggins**, Las Vegas, NV (US)

(72) Inventor: **Robert E Wiggins**, Las Vegas, NV (US)

(73) Assignee: **Robert Ellis Art & Design**, Houston, TX (US)

(**) Term: **15 Years**

(21) Appl. No.: **29/611,098**

(22) Filed: **Jul. 18, 2017**

(51) **LOC (12) Cl.** **25-01**

(52) **U.S. Cl.**
USPC **D25/138**

(58) **Field of Classification Search**
USPC D25/138-144, 157-163; D6/300, 309
CPC E04B 2/30; E04B 2/7881; E04H 12/2261;
G09F 2007/1813; A47F 5/0838; A47G
1/16; A47G 1/20; A47G 1/168; B42F
15/06; B42F 15/066
See application file for complete search history.

(56) **References Cited**

U.S. PATENT DOCUMENTS

D19,889 S *	6/1890	Babcock	D25/140
D24,082 S *	3/1895	Mullins	D25/140
D24,084 S *	3/1895	Mullins	D25/140
D31,450 S *	8/1899	Thomas	D25/162
1,474,779 A *	11/1923	Kammer	B44C 3/123 428/47
D105,609 S *	8/1937	Olszewski	D6/300
D136,347 S *	9/1943	Schenker	D6/300
2,900,929 A *	8/1959	Adelt	E04D 12/00 52/240
D218,604 S *	9/1970	Letienne	D25/162
D272,474 S *	1/1984	Belgiojoso	D25/138

4,973,192 A *	11/1990	Hair	E01C 5/06 404/34
5,172,101 A *	12/1992	Bates	G06F 3/0338 200/5 B
5,201,602 A *	4/1993	Repasky	E01C 5/00 404/41
D348,739 S *	7/1994	Krueger	D25/157
5,566,448 A *	10/1996	Bhatt	H01L 21/4857 257/E23.004
5,588,240 A	12/1996	Zilliox	
D411,313 S *	6/1999	Azar	D25/113
D414,275 S *	9/1999	Azar	D25/113

(Continued)

Primary Examiner — Kevin K Rudzinski

Assistant Examiner — Kimberly Barnes

(74) *Attorney, Agent, or Firm* — Kaspar Law Co., LLC;
Scott R. Kaspar

(57) **CLAIM**

The ornamental design for a wall panel with octagonal-shaped mount, as shown and described.

DESCRIPTION

FIG. 1 is a back perspective view of a wall panel with octagonal-shaped mount, showing my new design.

FIG. 2 is a back view of a wall panel with octagonal-shaped mount.

FIG. 3 is a front view of a wall panel with octagonal-shaped mount.

FIG. 4 is a left side view of a wall panel with octagonal-shaped mount.

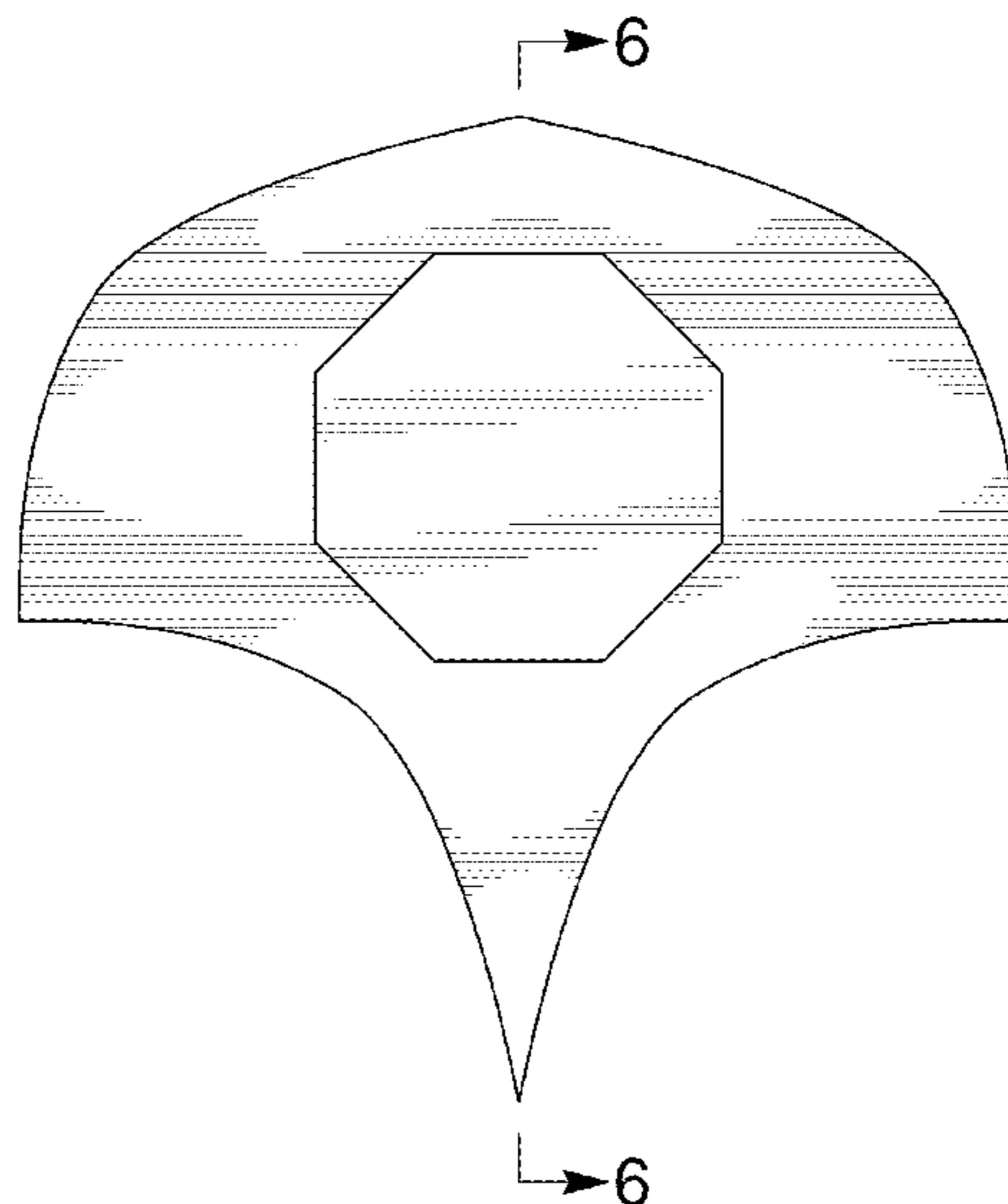
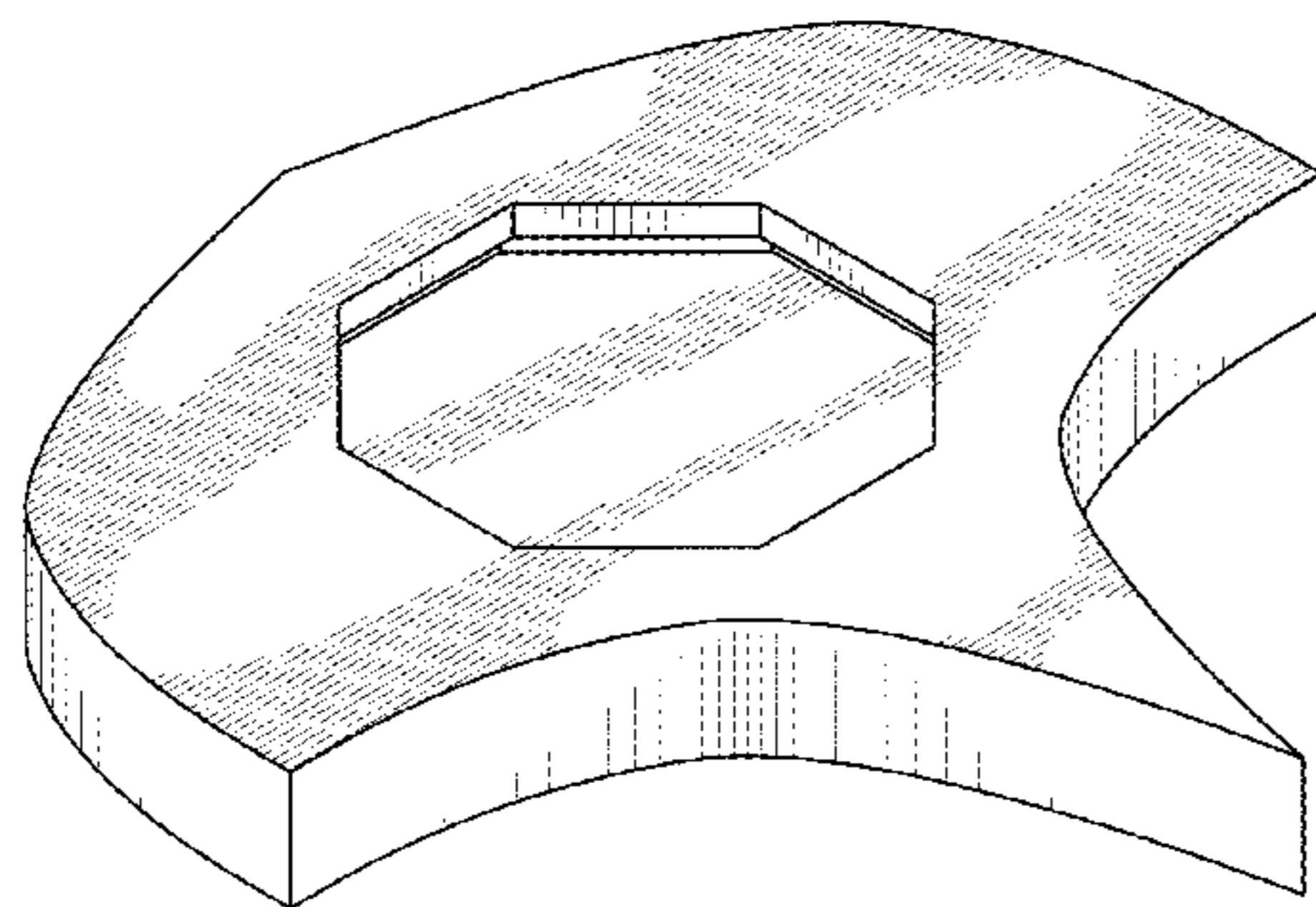
FIG. 5 is a right side view of a wall panel with octagonal-shaped mount.

FIG. 6 is a cross-sectional view of a wall panel with octagonal-shaped mount taken along line 6-6 in FIG. 2.

FIG. 7 is a top view of a wall panel with octagonal-shaped mount; and,

FIG. 8 is a bottom view of a wall panel with octagonal-shaped mount.

1 Claim, 5 Drawing Sheets



(56)

References Cited

U.S. PATENT DOCUMENTS

6,286,251 B1 * 9/2001 Whitson A01G 9/28
47/33
D488,954 S * 4/2004 Lara D7/388
D499,253 S * 12/2004 Gentry A47G 1/06
D6/300
D539,441 S * 3/2007 Johns D25/158
8,042,308 B2 10/2011 Sullivan et al.
D656,744 S * 4/2012 Castiglioni D6/300
D657,146 S * 4/2012 Castiglioni D6/300
9,192,805 B2 * 11/2015 Adkins A63B 21/4035
D750,277 S * 2/2016 Little D25/113
10,036,870 B2 * 7/2018 Hee G02B 27/646
2019/0024370 A1 * 1/2019 Wiggins E04B 2/30

* cited by examiner

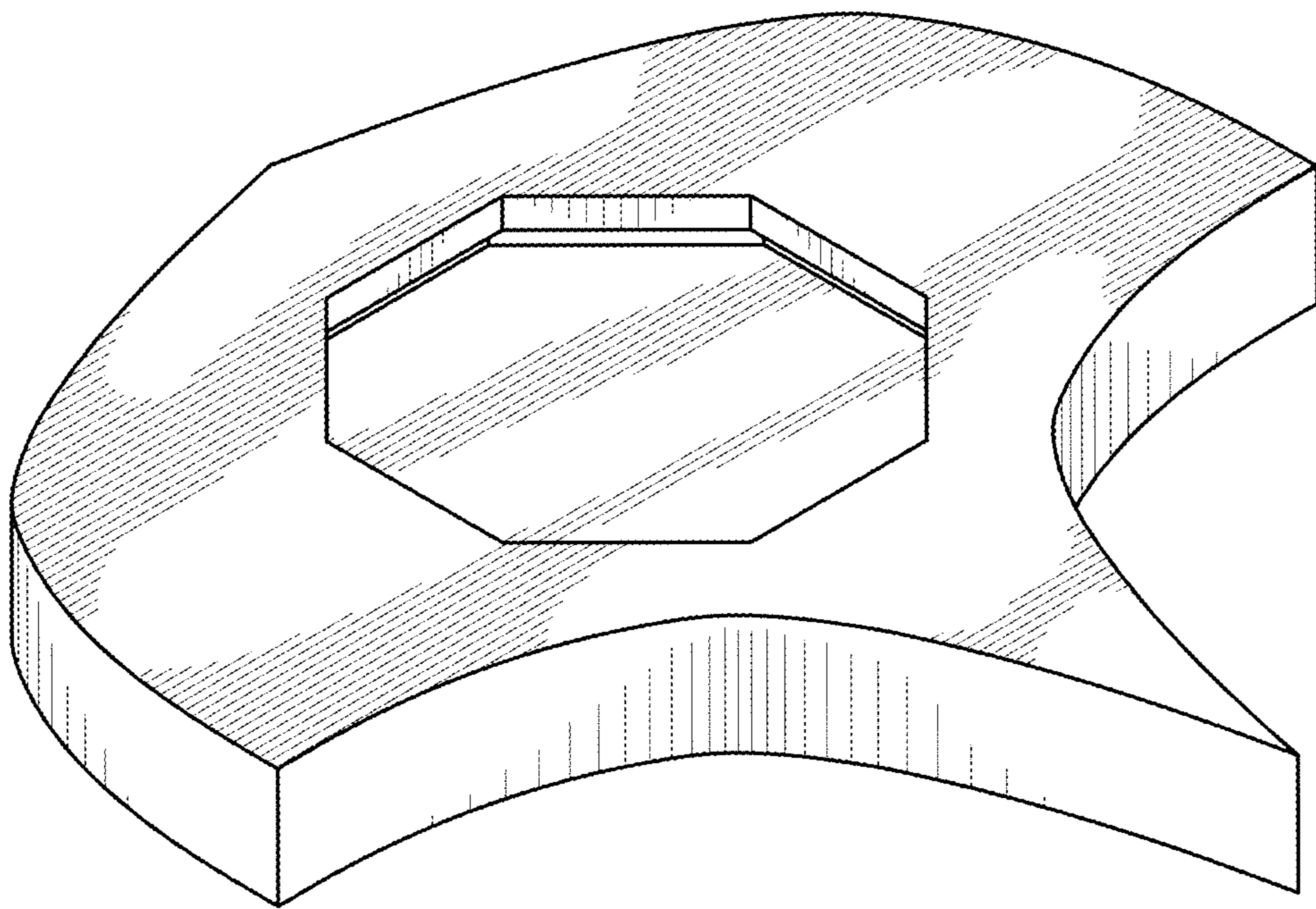


FIG. 1

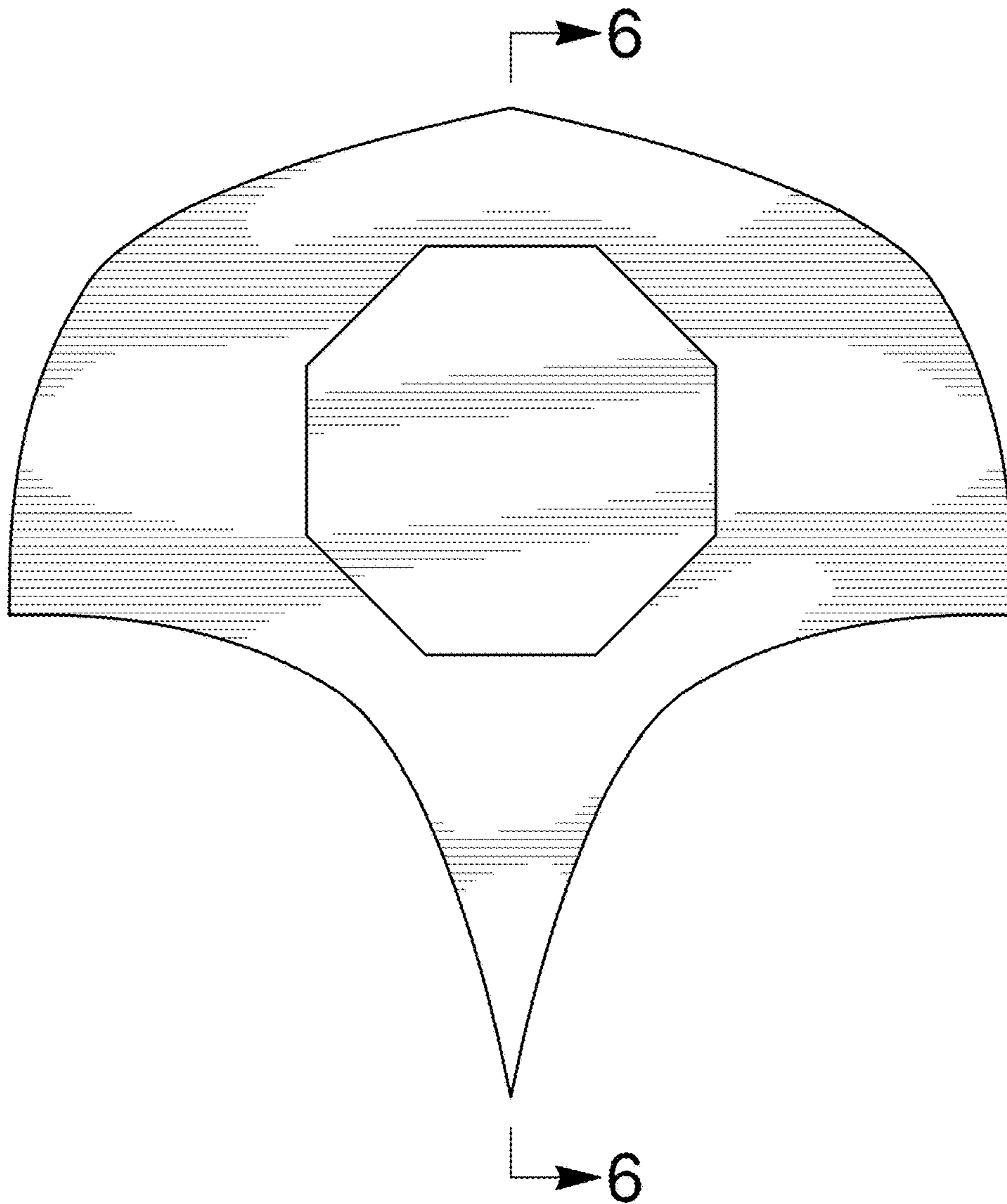


FIG. 2

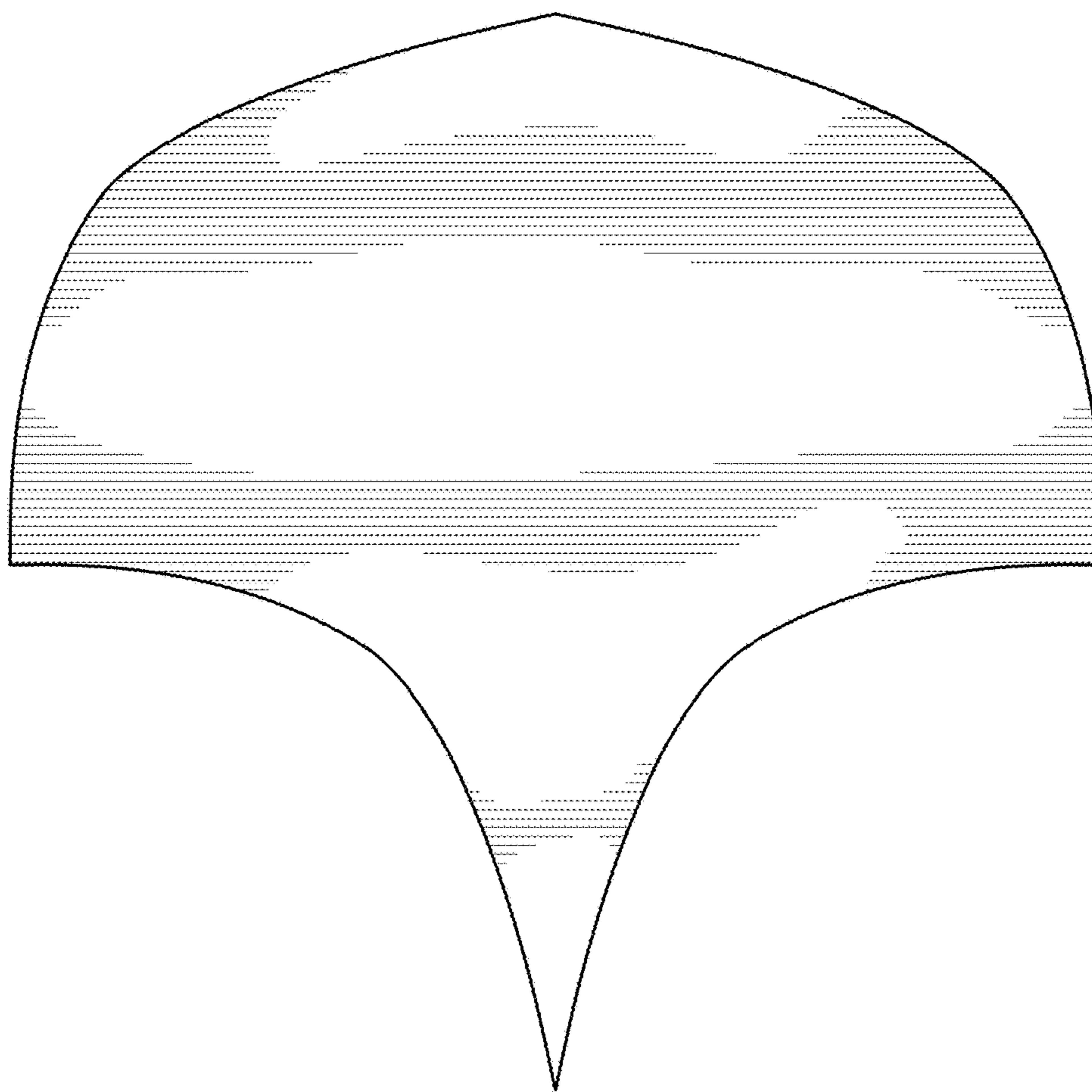


FIG. 3

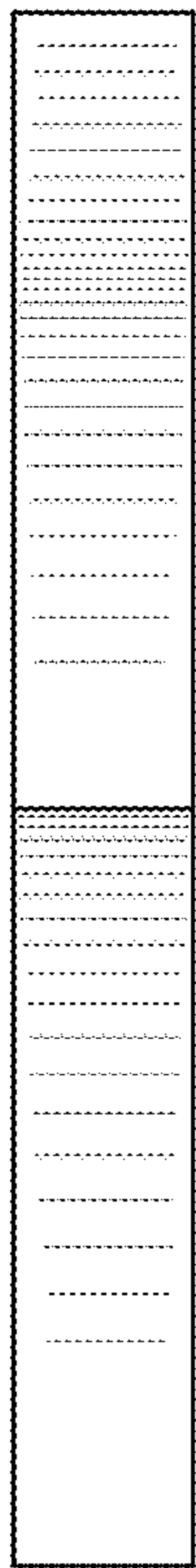


FIG. 4

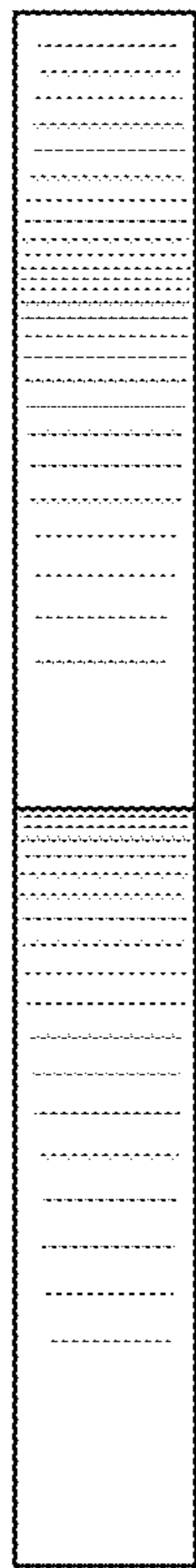


FIG. 5

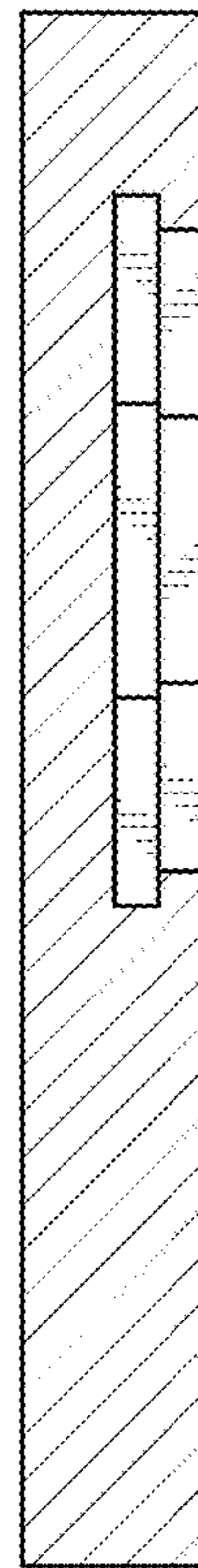


FIG. 6

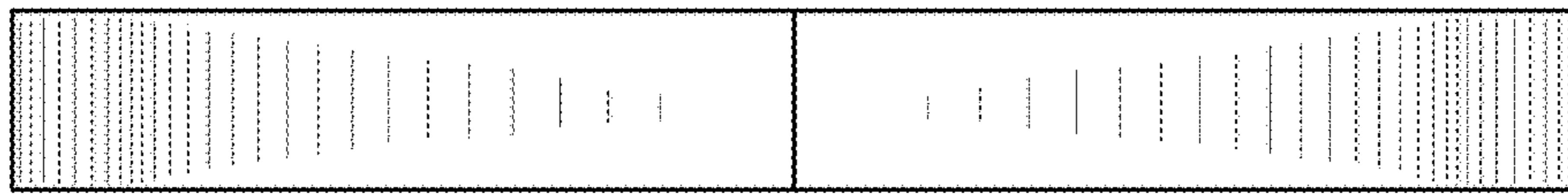


FIG. 7

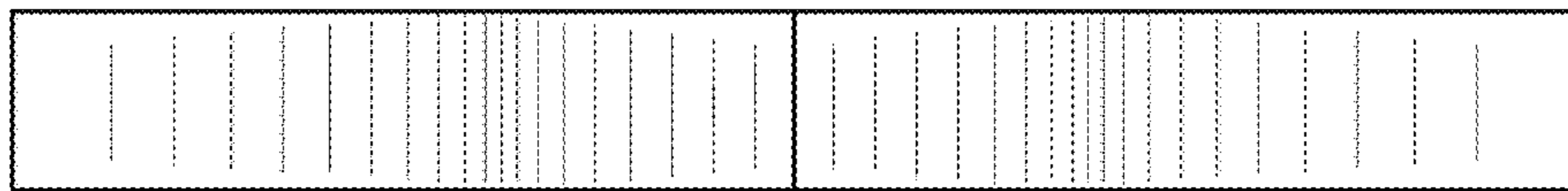


FIG. 8