



US00D858801S

(12) **United States Design Patent** (10) **Patent No.:** **US D858,801 S**
Charette (45) **Date of Patent:** **** Sep. 3, 2019**

(54) **GAZEBO ROOF BRACKET**
(71) Applicant: **9143-8010 QUEBEC INC.**, Shawinigan Sud (CA)
(72) Inventor: **Alexandre Charette**, Notre-Dame-du-Mont-Carmel (CA)
(73) Assignee: **9143-8010 QUEBEC INC.**, Quebec (CA)
(**) Term: **15 Years**
(21) Appl. No.: **29/644,536**
(22) Filed: **Apr. 18, 2018**
(51) **LOC (12) Cl.** **25-01**
(52) **U.S. Cl.**
USPC **D25/133**
(58) **Field of Classification Search**
USPC D25/133, 102, 110, 119, 124, 125, 126, D25/134, 135, 136, 137, 141; 52/11, 13, 52/204.2, 211, 212, 288.1, 653.1, 663, 52/718.01; D8/354, 363, 366, 373, 376, D8/380, 382; 248/201, 200.1, 205.4, 248/206.1, 214, 216.4, 219.1
CPC E04G 13/00; E04G 17/14; E04G 21/16; F16B 7/0486; F16M 11/046; G09F 7/18
See application file for complete search history.

D770,061 S * 10/2016 Carn D25/134
D813,414 S * 3/2018 Nguyen D25/61
9,995,056 B2 * 6/2018 Yang E04H 15/46
D831,848 S * 10/2018 Nguyen D25/61
D834,732 S * 11/2018 Charette D25/133
D837,638 S * 1/2019 Sargent D8/380
2017/0152641 A1 * 6/2017 Serna Garc A-Conde E02D 27/425

(56) **References Cited**
U.S. PATENT DOCUMENTS
4,129,139 A * 12/1978 Powers E04H 15/003
135/117
D258,743 S * 3/1981 Ruga D21/484
D508,571 S * 8/2005 Weiser D25/133
D602,175 S * 10/2009 Droomer D25/133
9,010,703 B2 * 4/2015 Tresserras Picas E04H 12/24
248/218.4
D759,903 S * 6/2016 Justiniano D25/32

OTHER PUBLICATIONS

“Gazebo Roof Bracket Kit” <http://pylex.com/en/products/12075-gazebo-roof-bracket-kit> <Apr. 6, 2018> (Year: 2018).
* cited by examiner

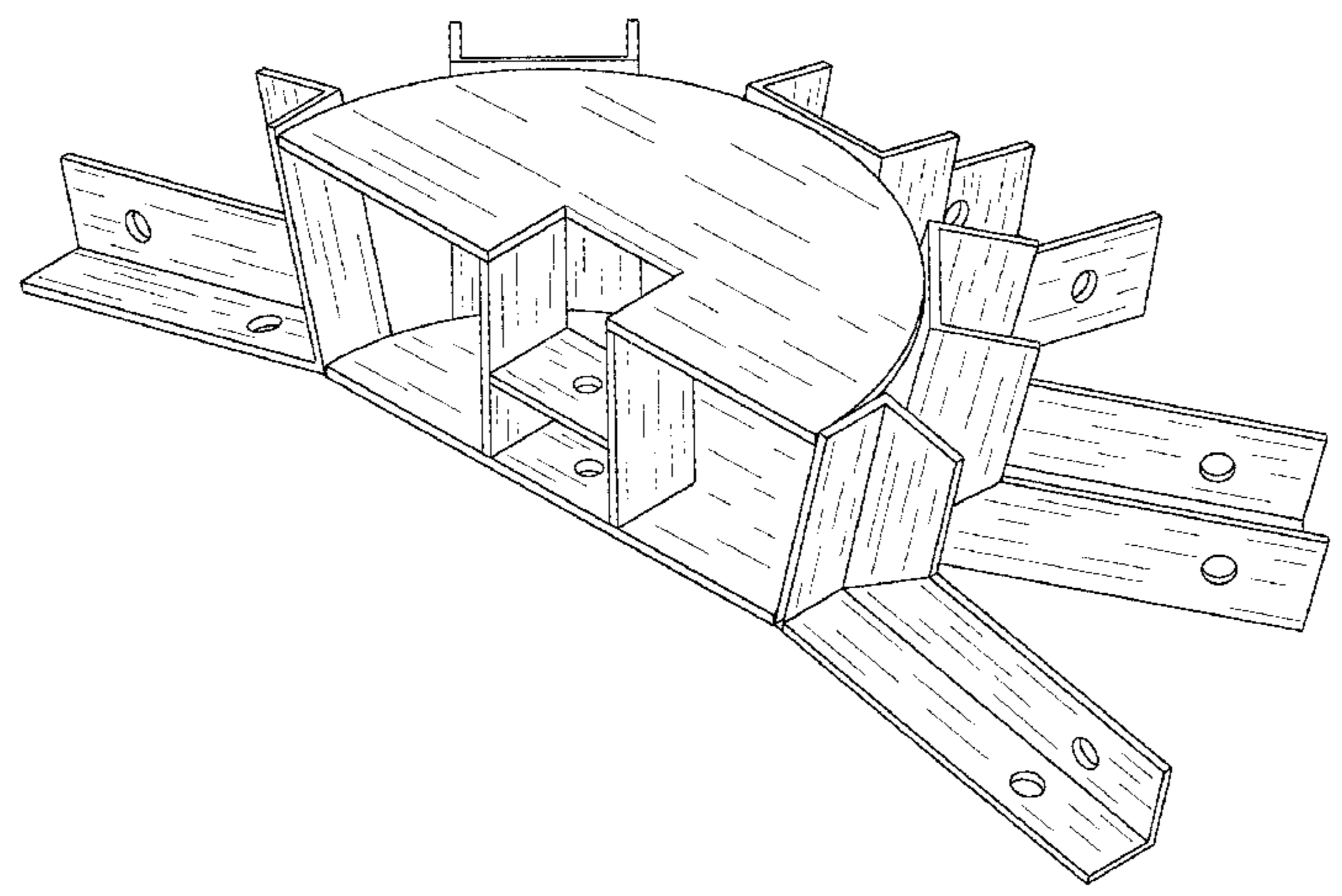
Primary Examiner — Cathron C Brooks
Assistant Examiner — Samantha Q Lawrence
(74) *Attorney, Agent, or Firm* — Welsh Flaxman & Gitler LLC

(57) **CLAIM**
The ornamental design for a gazebo roof bracket, as shown and described.

DESCRIPTION

FIG. 1 is a front view of the gazebo roof bracket;
FIG. 2 is a left side view of the gazebo roof bracket;
FIG. 3 is a rear view of the gazebo roof bracket;
FIG. 4 is a right side view of the gazebo roof bracket;
FIG. 5 is a top view of the gazebo roof bracket;
FIG. 6 is a bottom view of the gazebo roof bracket;
FIG. 7 is a top perspective view of the gazebo roof bracket;
and,
FIG. 8 is a bottom perspective view of the gazebo roof bracket.
The broken lines shown in FIG. 8 illustrate environment and form no part of the claimed design.

1 Claim, 8 Drawing Sheets



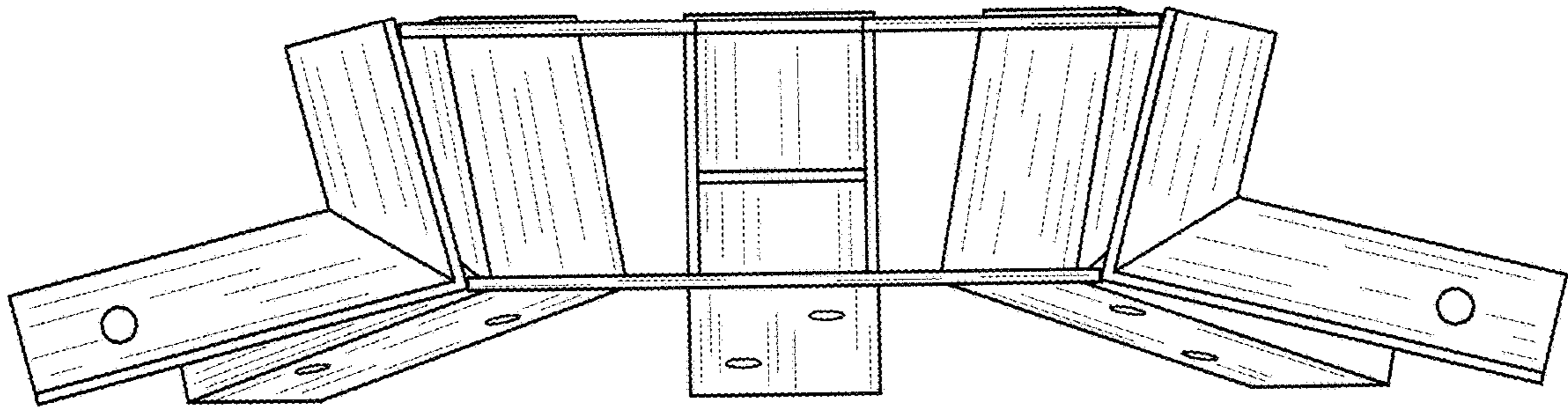


FIGURE 1

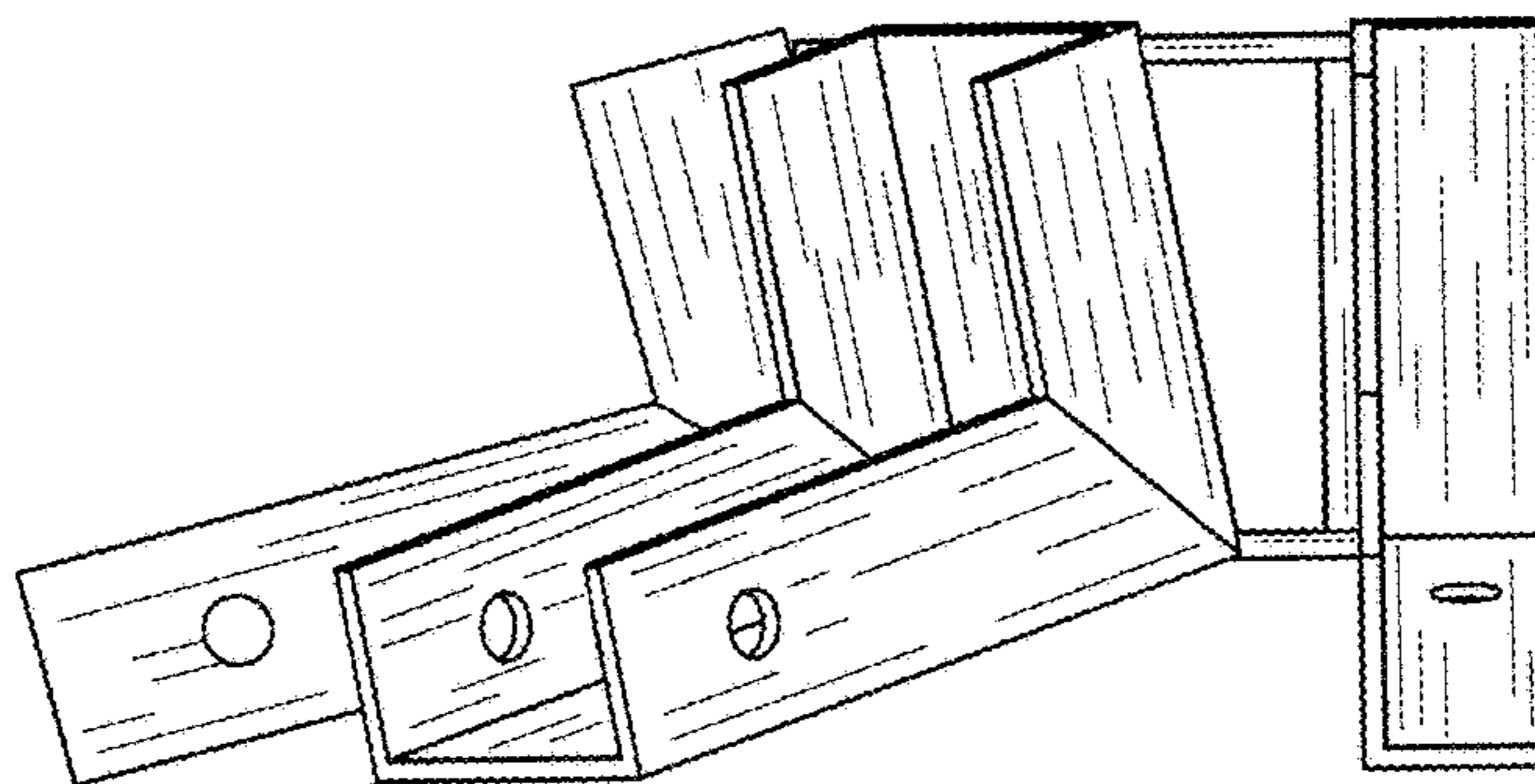


FIGURE 2

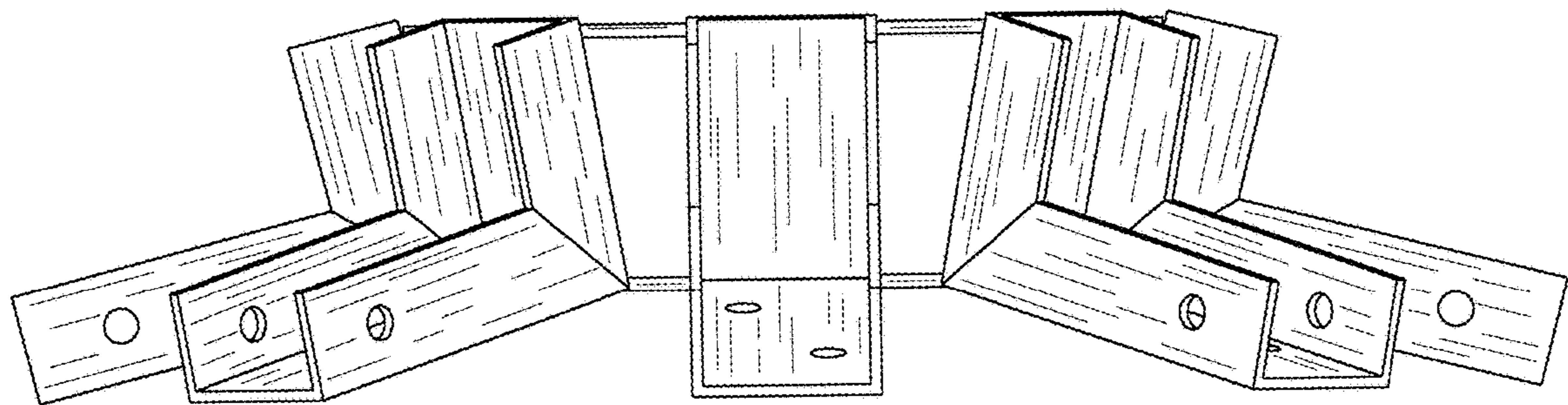


FIGURE 3

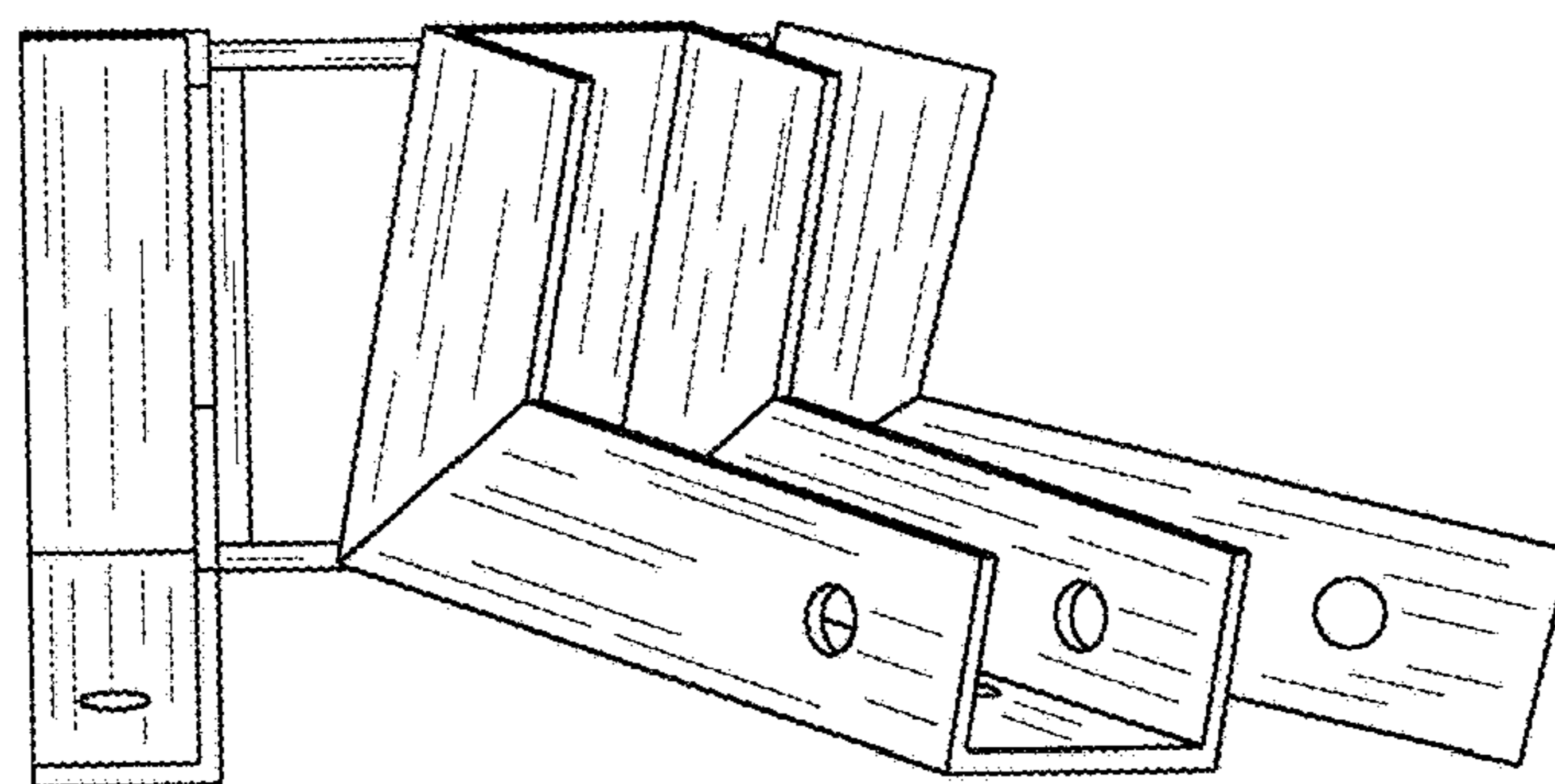


FIGURE 4

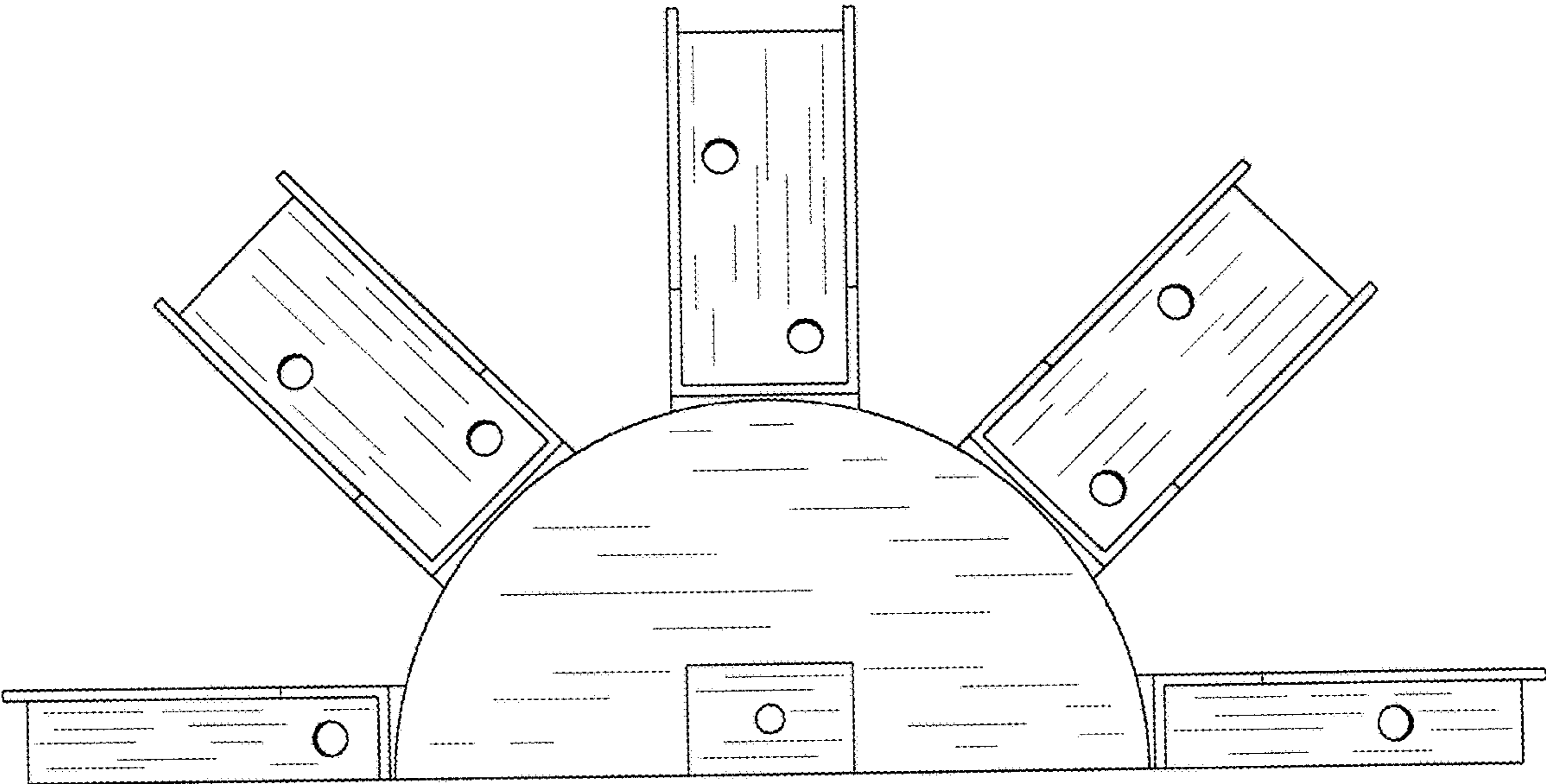


FIGURE 5

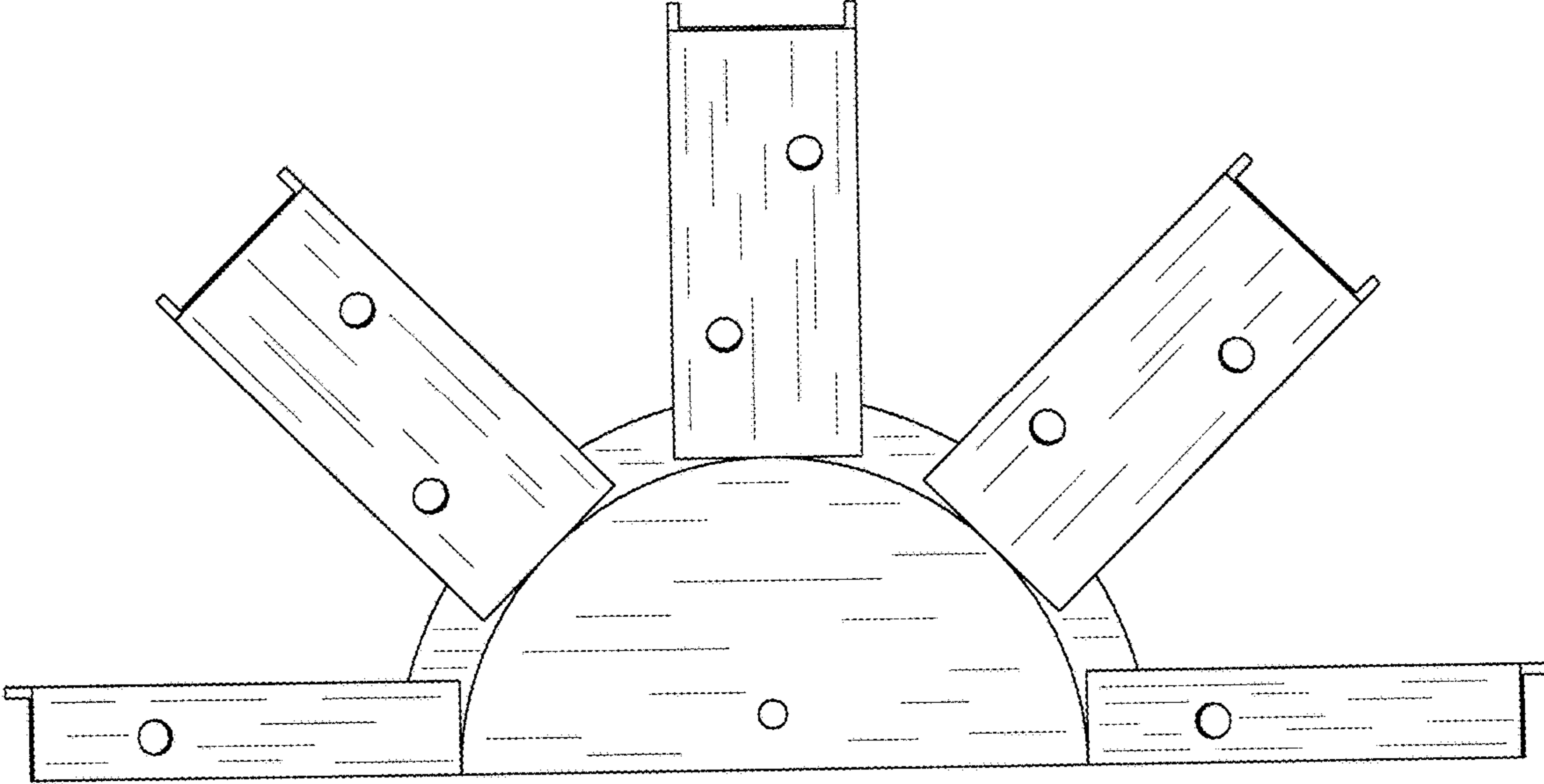


FIGURE 6

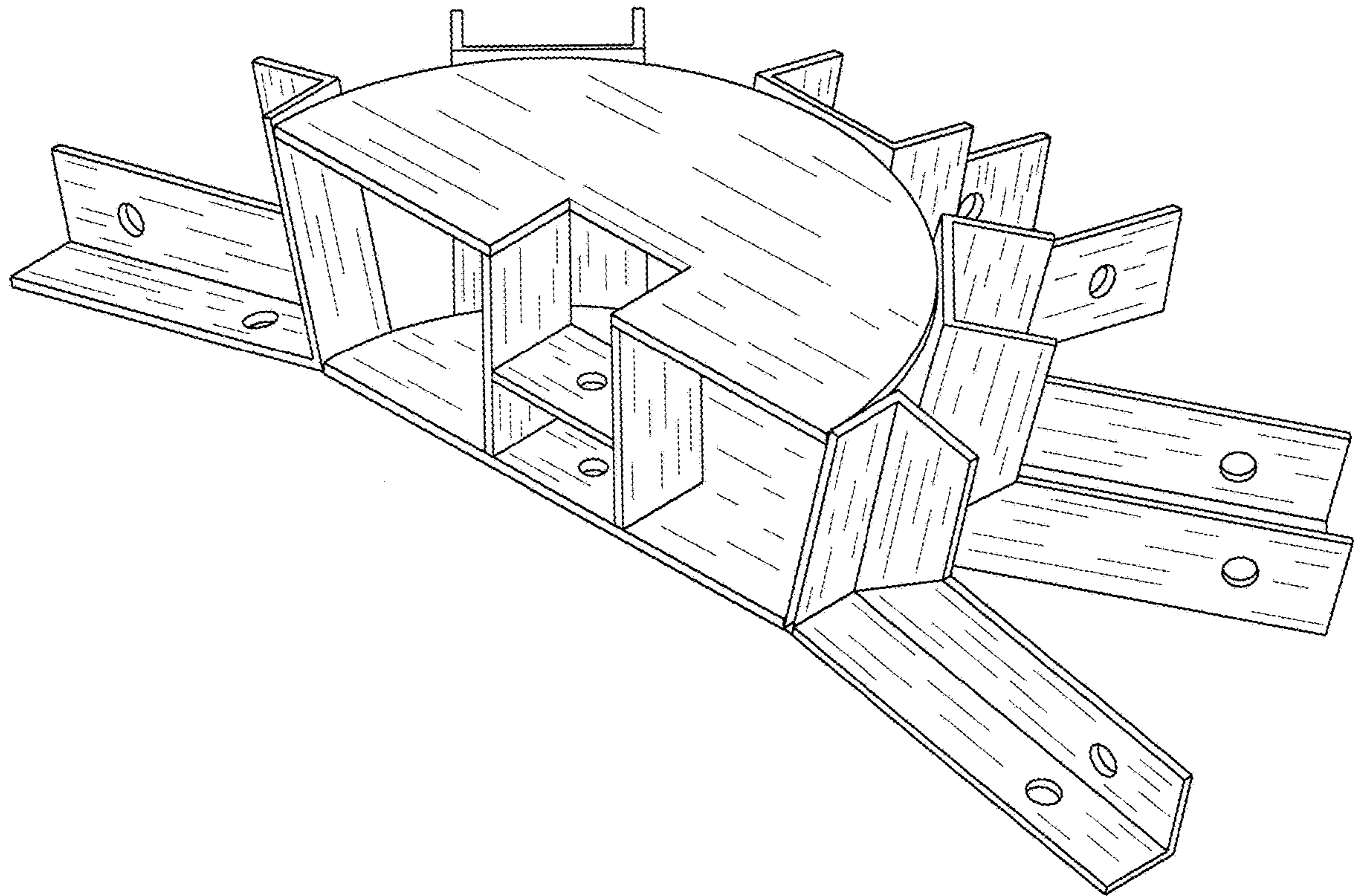


FIGURE 7

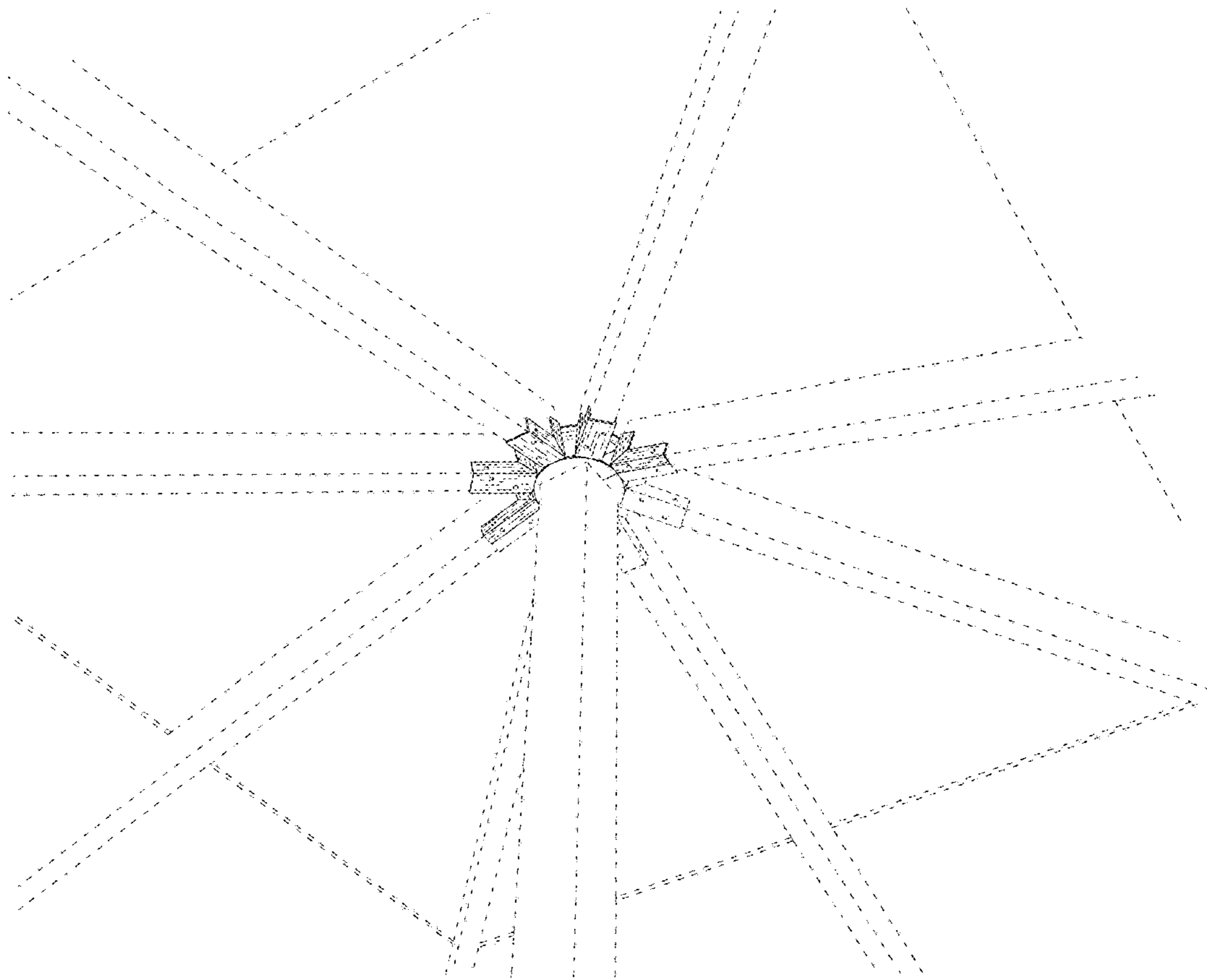


FIGURE 8