



US00D858799S

(12) **United States Design Patent**  
**Anderson**

(10) **Patent No.:** **US D858,799 S**

(45) **Date of Patent:** **\*\* Sep. 3, 2019**

(54) **REBAR CAGE STAND**

(71) Applicant: **Brian Martin Anderson**, Forney, TX  
(US)

(72) Inventor: **Brian Martin Anderson**, Forney, TX  
(US)

(73) Assignee: **LINDEN STEEL, L.P.**, Forney, TX  
(US)

(\*\*) Term: **15 Years**

(21) Appl. No.: **29/641,117**

(22) Filed: **Mar. 20, 2018**

(51) **LOC (12) Cl.** ..... **25-04**

(52) **U.S. Cl.**  
USPC ..... **D25/66; D25/62**

(58) **Field of Classification Search**  
USPC ..... D25/35, 38.1, 39, 41.1, 42-45, 48.8,  
D25/61-68, 199; 182/164, 187, 215,  
182/228.1, 228.2, 107  
CPC ..... E06C 7/082; E06C 7/423; E06C 1/32  
See application file for complete search history.

(56) **References Cited**

**U.S. PATENT DOCUMENTS**

4,655,322 A \* 4/1987 Mittanck ..... E06C 7/423  
182/107  
D468,447 S \* 1/2003 Stringer ..... D25/66

D722,182 S \* 2/2015 Green ..... D25/64  
9,145,733 B2 \* 9/2015 Worthington ..... E06C 7/44  
D745,191 S \* 12/2015 Green ..... D25/64  
D781,448 S \* 3/2017 Green ..... D25/64

\* cited by examiner

*Primary Examiner* — Cynthia Ramirez

*Assistant Examiner* — Gino Colan

(74) *Attorney, Agent, or Firm* — Grady K. Bergen; Griggs  
Bergen LLP

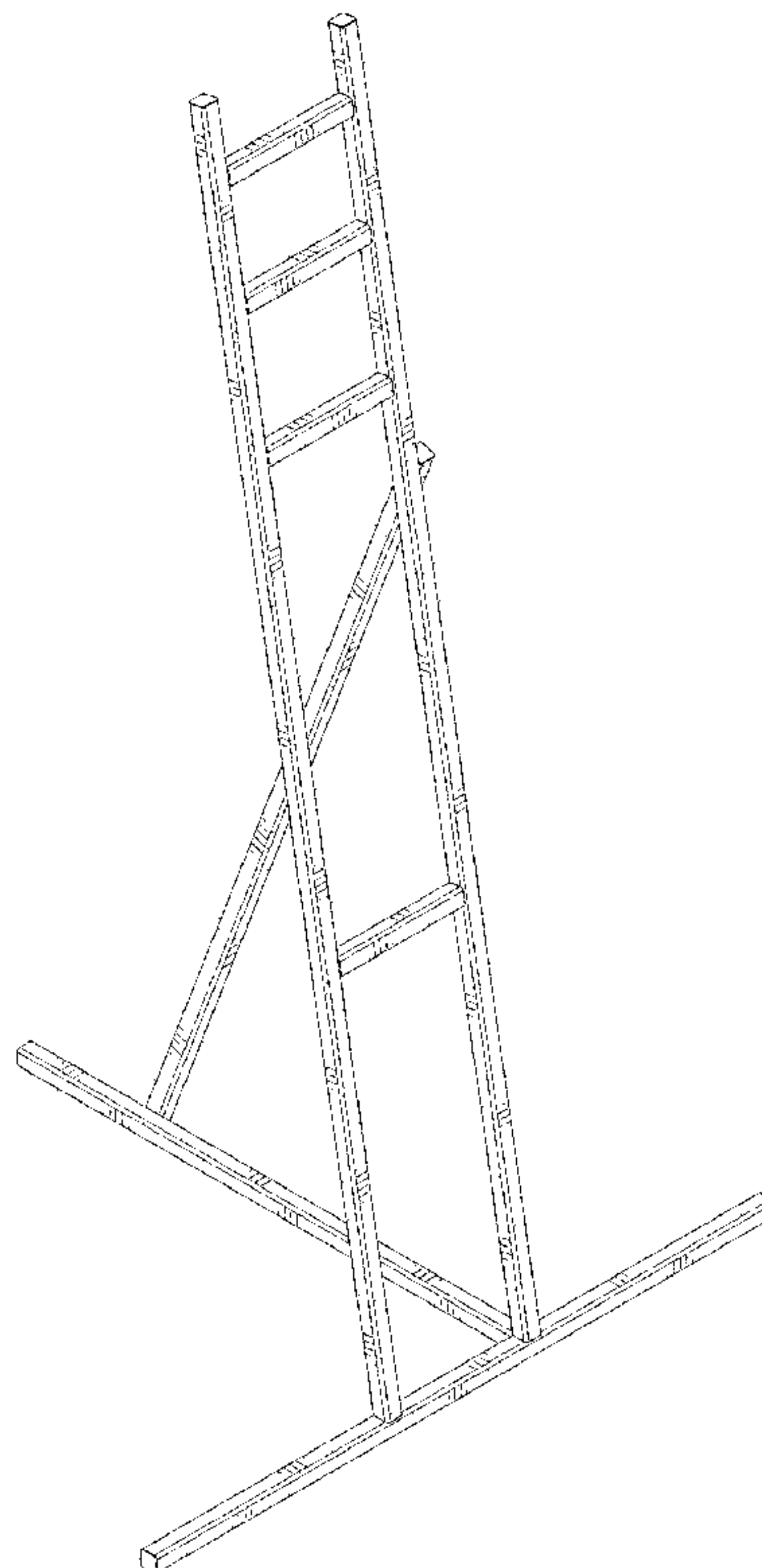
(57) **CLAIM**

The ornamental design for a rebar cage stand, as shown and described.

**DESCRIPTION**

FIG. 1 is a front perspective view of a rebar cage stand;  
FIG. 2 is a front elevational view of the rebar cage stand of  
FIG. 1;  
FIG. 3 is a rear elevational view of the rebar cage stand of  
FIG. 1;  
FIG. 4 is a right side elevational view of the rebar cage stand  
of FIG. 1;  
FIG. 5 is a left side elevational view of the rebar cage stand  
of FIG. 1;  
FIG. 6 is a top plan view the rebar cage stand of FIG. 1; and,  
FIG. 7 is a bottom plan of the rebar cage stand of FIG. 1.

**1 Claim, 6 Drawing Sheets**



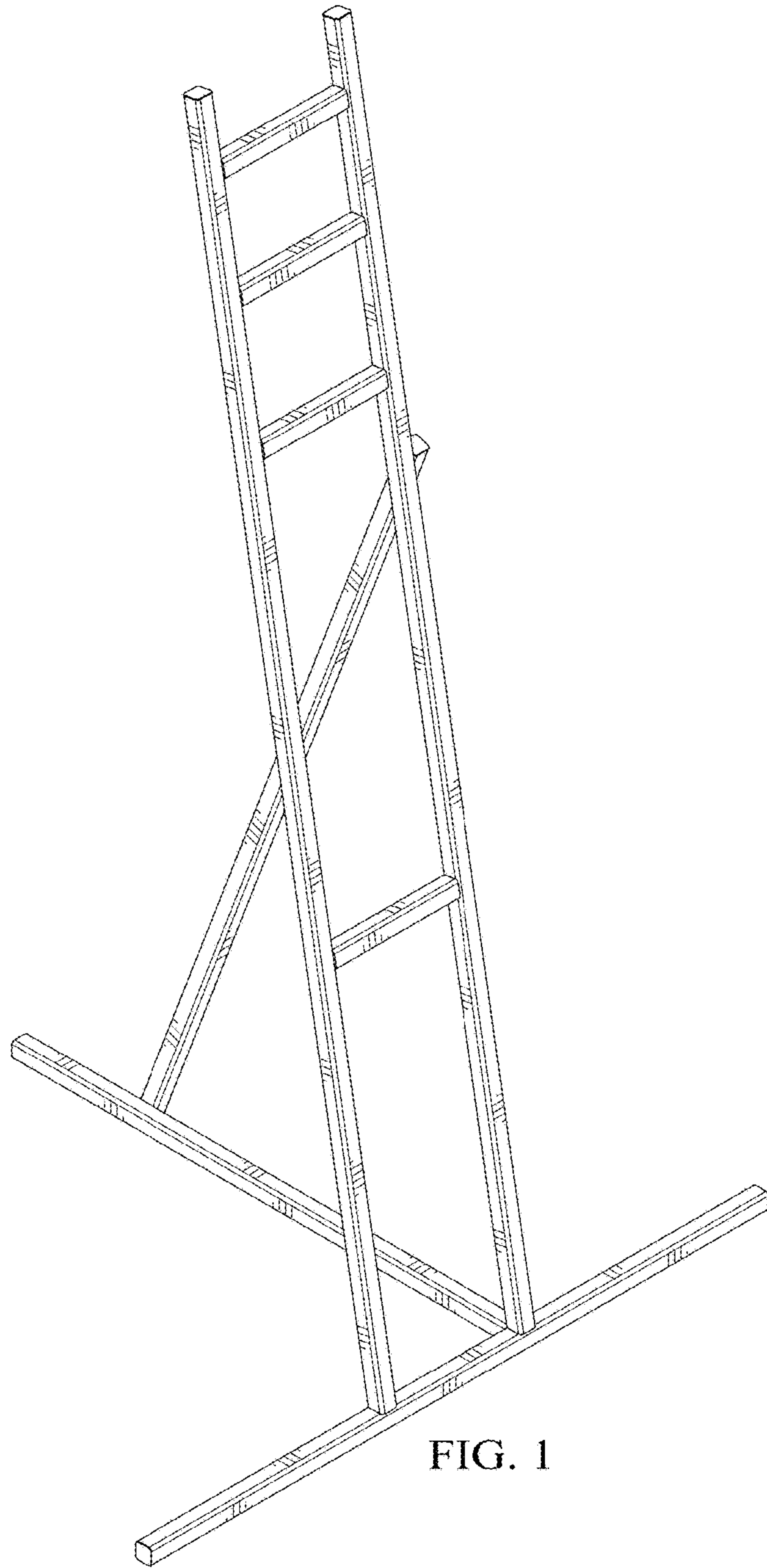
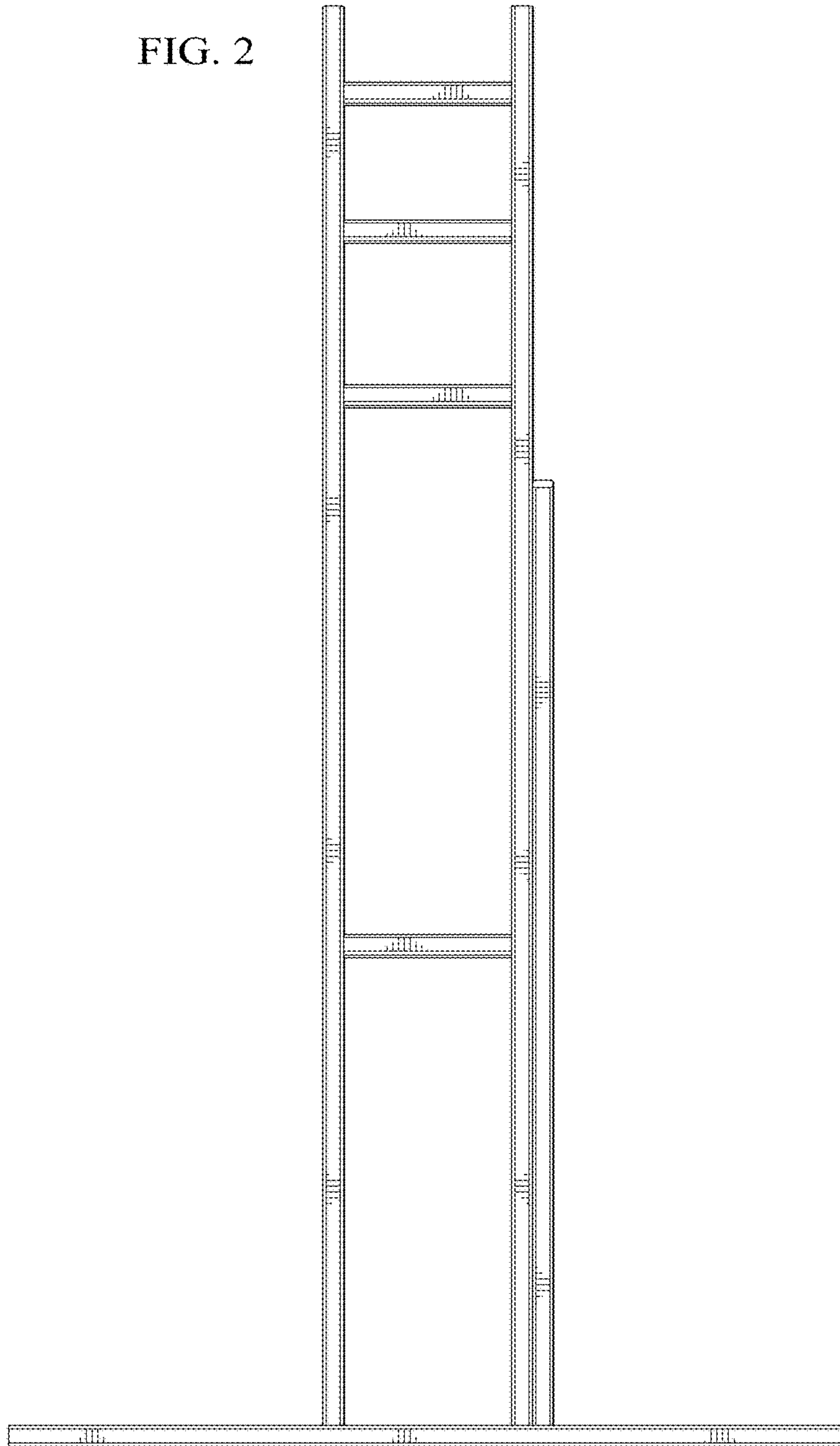


FIG. 1

FIG. 2



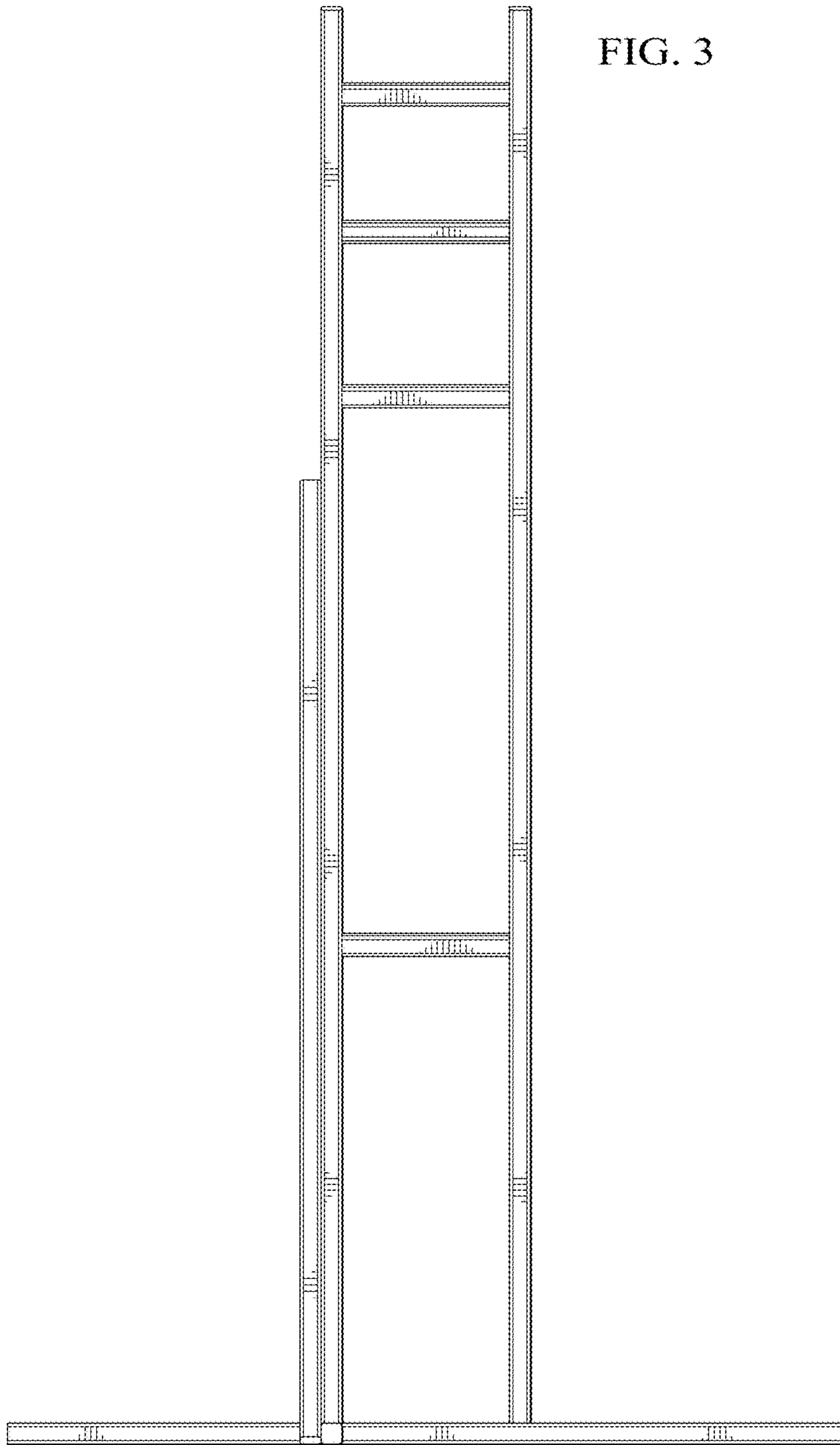


FIG. 3

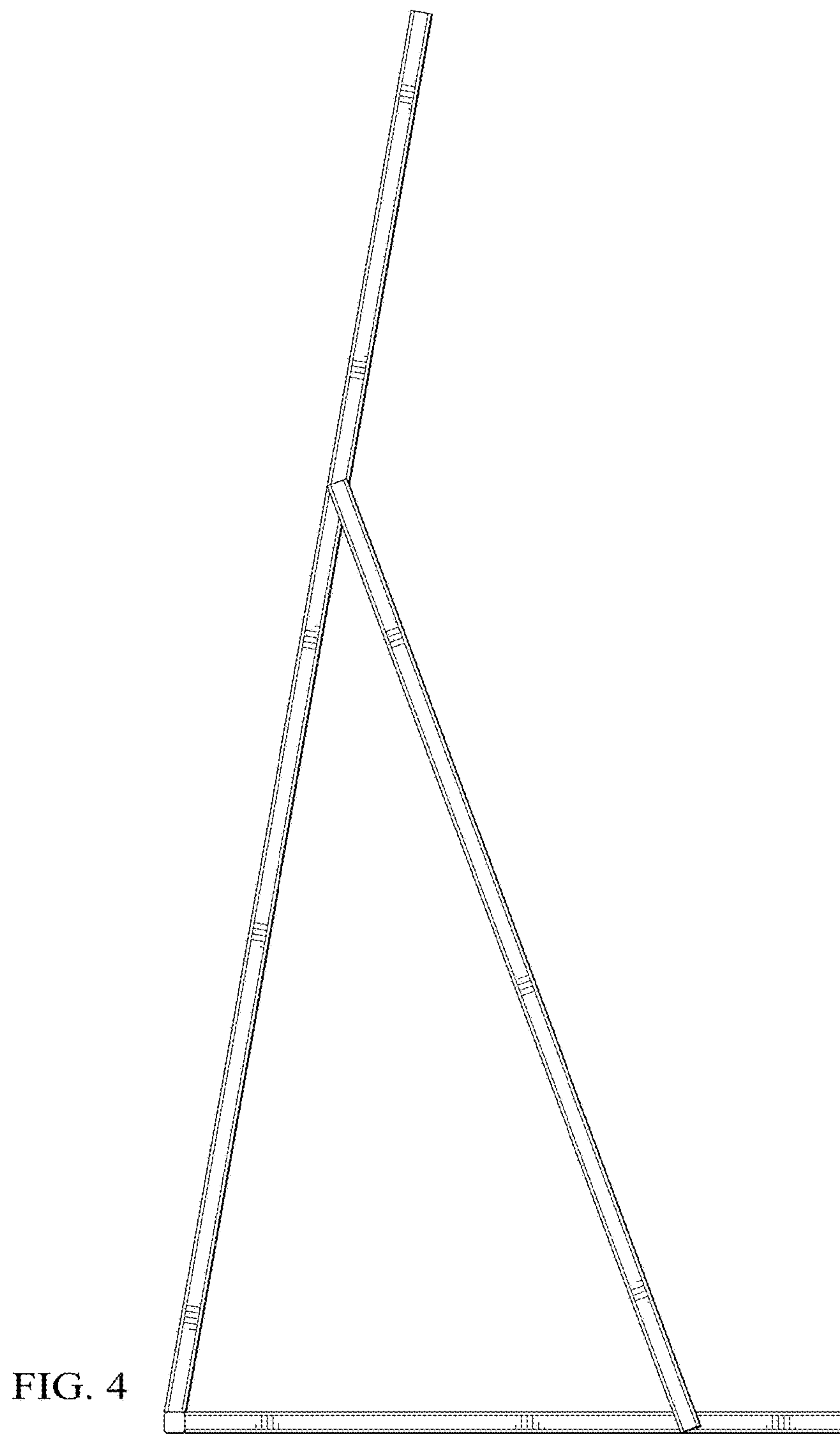


FIG. 4

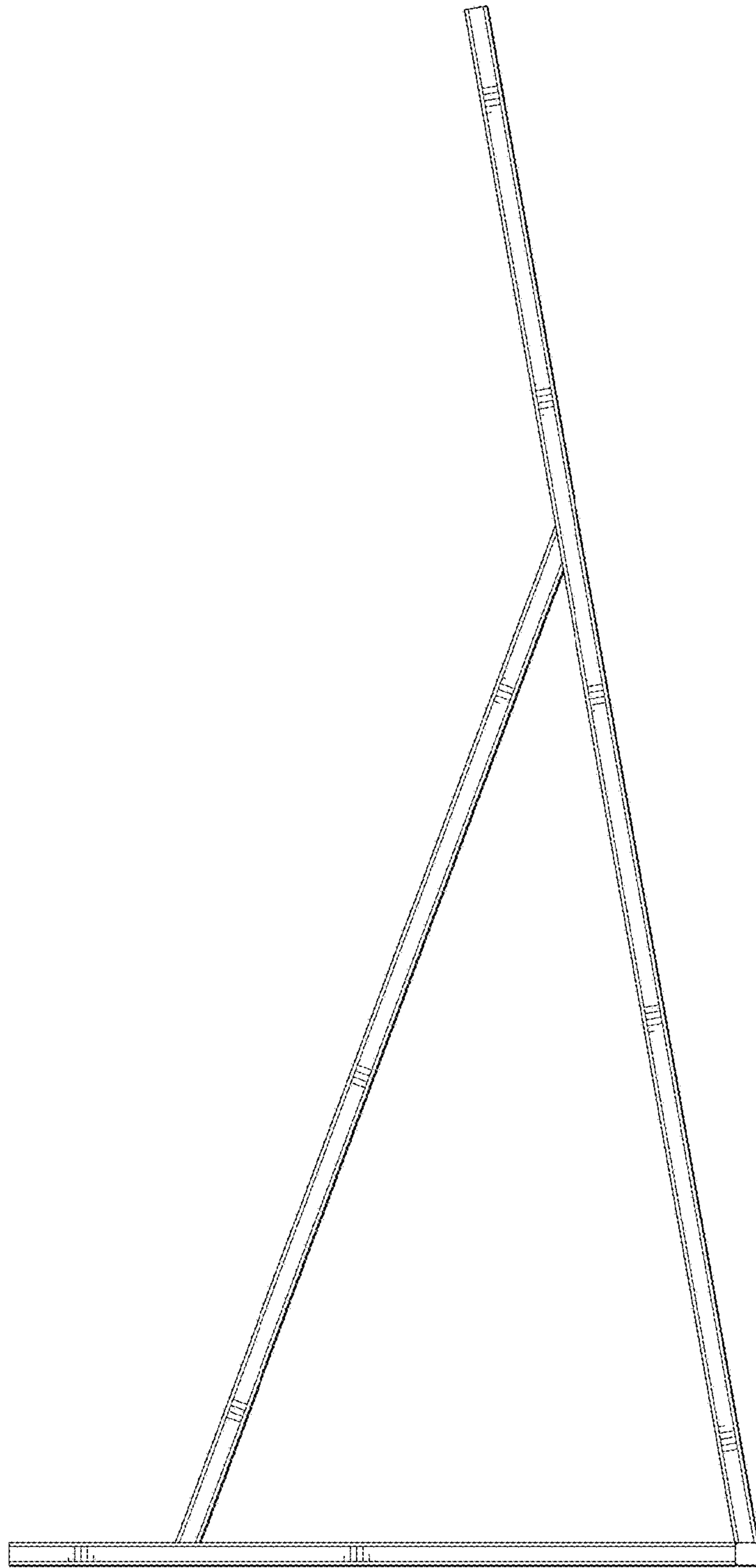


FIG. 5



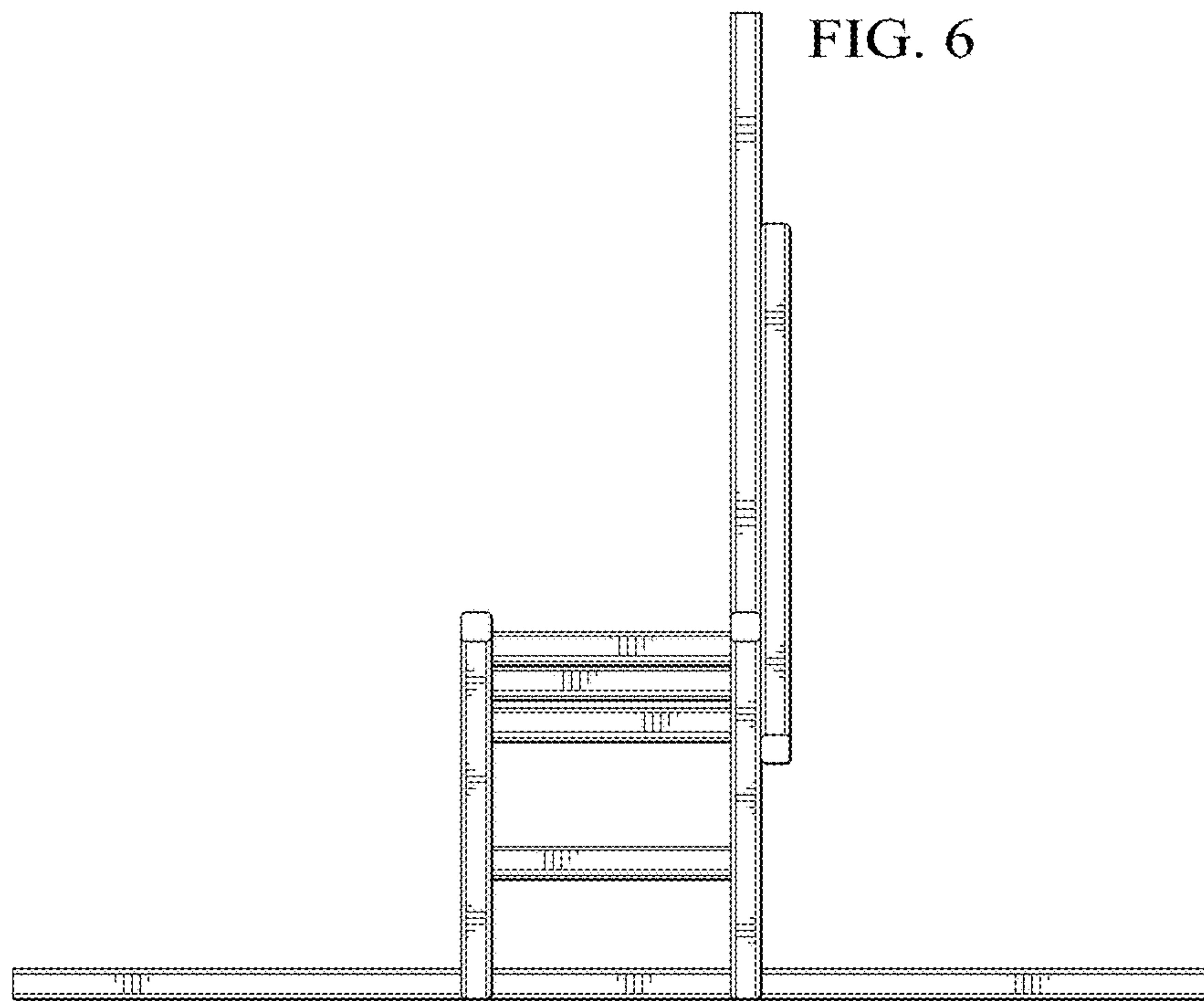


FIG. 6

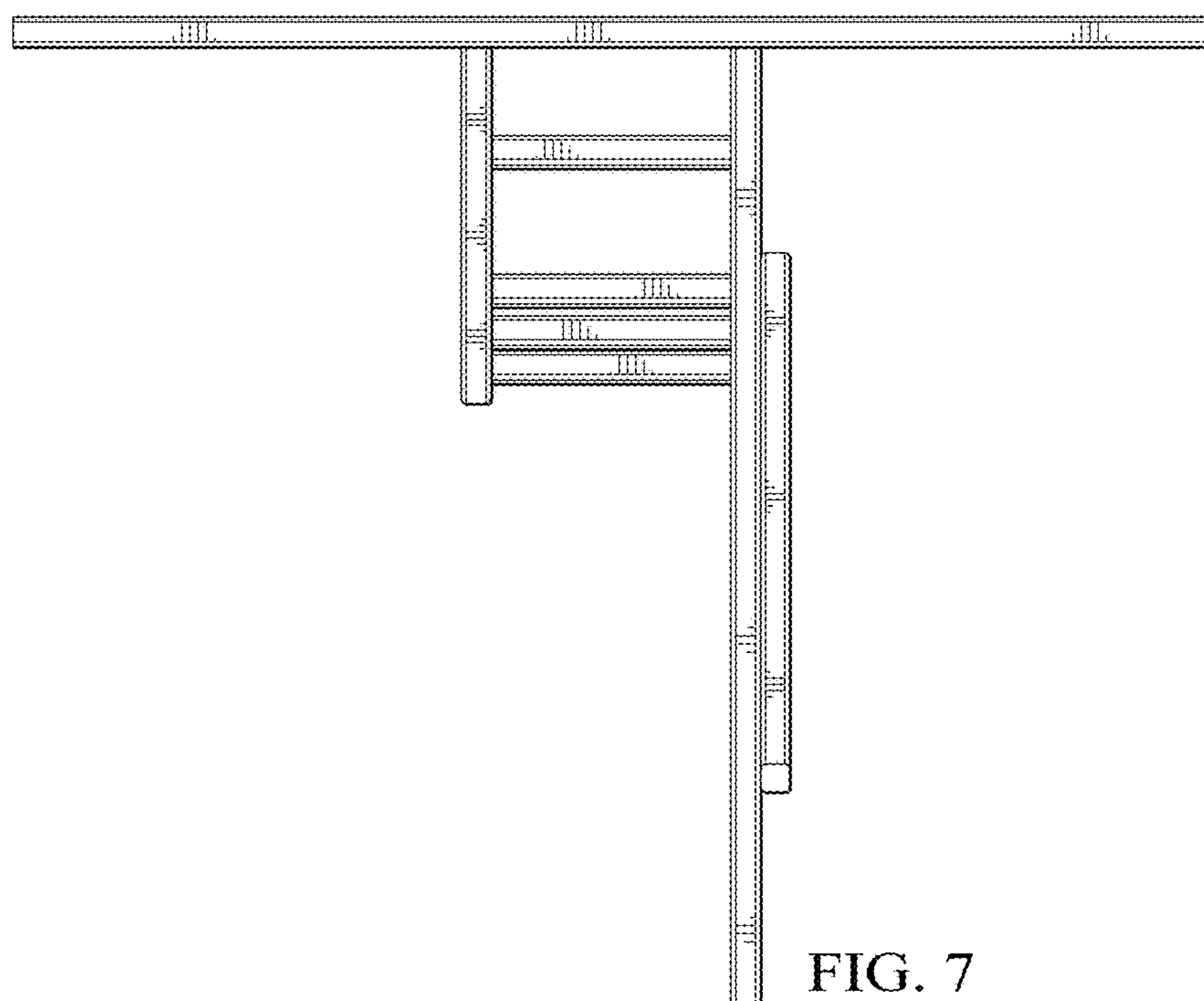


FIG. 7