



US00D858798S

(12) **United States Design Patent** (10) **Patent No.:** **US D858,798 S**
McCarthy et al. (45) **Date of Patent:** **** Sep. 3, 2019**

- (54) **FENCE** 2,218,953 A 10/1940 Gustafson
- 2,218,954 A 10/1940 Gustafson
- (71) Applicant: **Vision Extrusions Limited,** 2,608,386 A 8/1952 Hart
Woodbridge (CA) 3,083,951 A 4/1963 Huret
- (72) Inventors: **Peter McCarthy,** Woodbridge (CA); 3,136,530 A 6/1964 Case
Vic DeZen, Woodbridge (CA); **Rolf J.** 3,164,354 A 1/1965 Murdock
Ohrstrom, Richmond Hill (CA) 3,289,381 A 12/1966 Blum et al.
3,343,811 A 9/1967 Kusel et al.
3,385,567 A 5/1968 Case et al.
3,388,884 A 6/1968 Eggler et al.
3,398,981 A 8/1968 Vincens
- (73) Assignee: **Vision Extrusions Ltd.,** Woodbridge,
Ontario (CA) (Continued)

(**) Term: **15 Years**

FOREIGN PATENT DOCUMENTS

- (21) Appl. No.: **29/650,566** CA 1318164 C 5/1993
CA 2157325 A1 3/1997
- (22) Filed: **Jun. 7, 2018** (Continued)

Related U.S. Application Data

- (60) Continuation of application No. 14/990,552, filed on Jan. 7, 2016, which is a division of application No. 13/968,485, filed on Aug. 16, 2013, now abandoned, which is a division of application No. 12/581,998, filed on Oct. 20, 2009, now Pat. No. 8,511,648.

OTHER PUBLICATIONS

<https://www.homedepot.com/p/Glendale-4-ft-H-x-8-ft-W-White-Vinyl-Spaced-Picket-Unassembled-Fence-Panel-with-Dog-Ear-Pickets-152811/203464358> Oct. 17, 2012 (Year: 2012).*
(Continued)

(30) **Foreign Application Priority Data**

- Jun. 18, 2009 (CA) 2669440
- (51) **LOC (12) Cl.** **25-02**
- (52) **U.S. Cl.** **D25/38.1**
USPC
- (58) **Field of Classification Search**
USPC D25/38.1, 39, 42, 43, 44, 100
CPC E04H 17/16; E04H 17/20; E04H 17/138;
E04H 17/143; E04H 17/1404; E04H
17/1424; E04H 17/1439; E04H 17/1443
See application file for complete search history.

Primary Examiner — Leanne Was-Englehart
(74) *Attorney, Agent, or Firm* — Quarles & Brady LLP

(56) **References Cited**

U.S. PATENT DOCUMENTS

- 753,791 A 3/1904 Fulghum
- 1,114,486 A 10/1914 Kimball

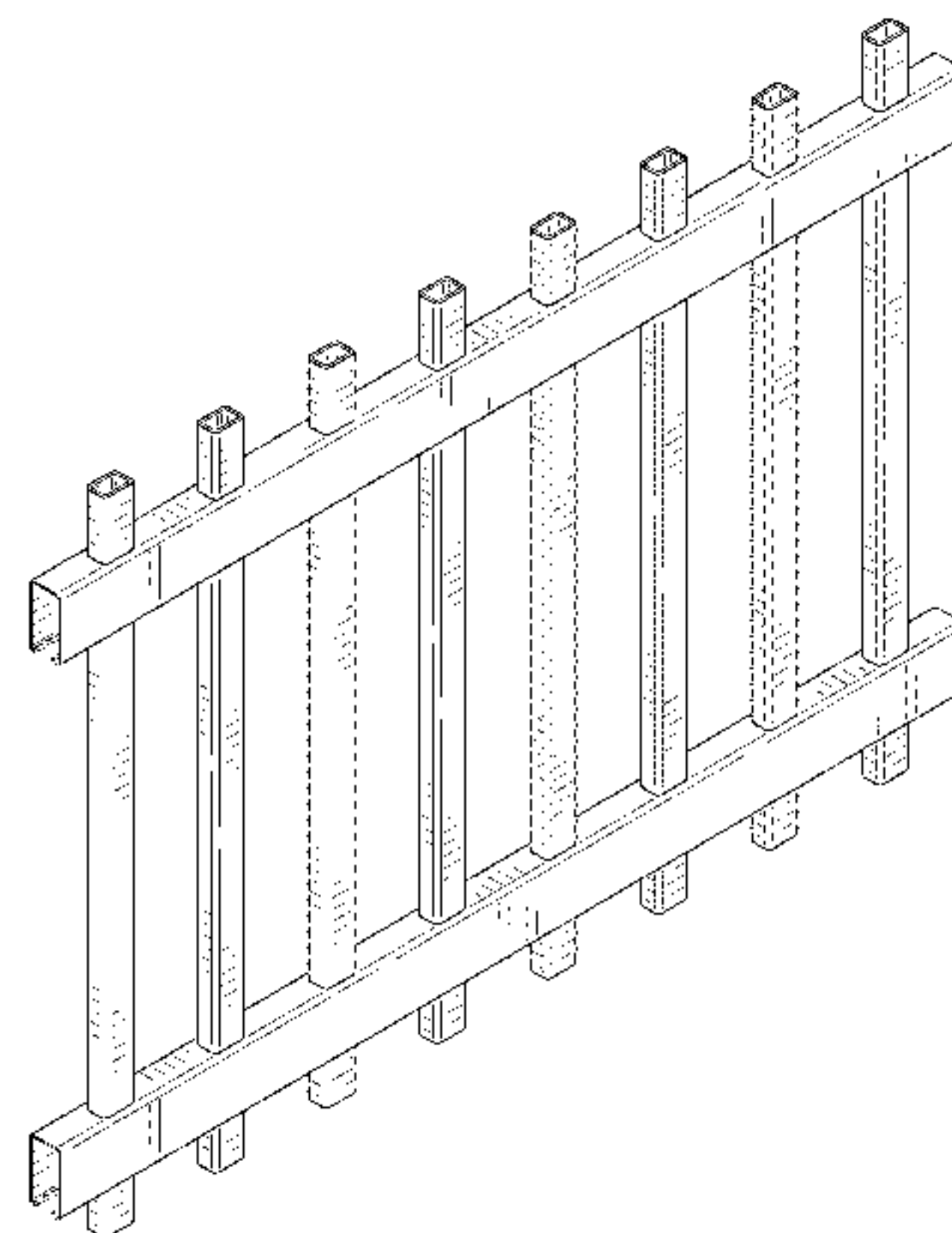
(57) **CLAIM**

The ornamental design for a fence, as shown and described.

DESCRIPTION

The sole FIGURE is a perspective view of a front, top, and left side of a fence, the perspective view of the rear, top, and right side being identical thereto. The broken lines are included for the purpose of illustrating portions that form no part of the claimed design.

1 Claim, 1 Drawing Sheet



(56)

References Cited

U.S. PATENT DOCUMENTS

3,403,641	A	10/1968	Baker	6,631,887	B1	10/2003	Walmsley
3,485,006	A	12/1969	De Rozario	6,637,728	B2	10/2003	Pettit et al.
3,490,797	A	1/1970	Platte	6,698,726	B2	3/2004	Platt
3,491,984	A	1/1970	Nyberg	6,702,259	B2	3/2004	Pratt
3,498,589	A	3/1970	Murdock	6,752,385	B2	6/2004	Zen et al.
3,506,243	A	4/1970	Seiler	6,752,386	B1	6/2004	Bundy
3,610,427	A	10/1971	Maziarka et al.	6,752,438	B2	6/2004	DeSouza
3,617,077	A	11/1971	Cavanaugh, Sr.	6,755,394	B2	6/2004	Forbis et al.
3,618,993	A	11/1971	Platte	6,823,638	B2	11/2004	Stanchfield
3,752,553	A	8/1973	Bildahl et al.	6,874,766	B2	4/2005	Curatolo
3,756,567	A	9/1973	Murdock	6,932,328	B2	8/2005	Shreiner et al.
3,822,053	A	7/1974	Daily	7,007,363	B2	3/2006	Forbis
3,918,686	A	11/1975	Knott et al.	D518,898	S *	4/2006	Nitz D25/48.5
3,931,946	A	1/1976	Soltysik	7,021,607	B1	4/2006	Alexander
3,973,756	A	8/1976	Lauzier	7,032,891	B2	4/2006	Rowley et al.
4,007,919	A	2/1977	Totten	7,048,259	B2	5/2006	Quaintance et al.
4,014,520	A	3/1977	Walters	7,086,642	B1 *	8/2006	O'Brien E04H 17/1434 256/22
4,027,855	A	6/1977	Lauzier	7,152,849	B2	12/2006	Graber
4,035,978	A	7/1977	Bajorek et al.	7,168,689	B2	1/2007	Giralt
4,050,828	A	9/1977	Moro	7,347,412	B1	3/2008	Zhu
4,148,454	A	4/1979	Carlson et al.	7,360,754	B2	4/2008	Robbins
4,189,796	A	2/1980	Gutner	7,389,975	B2	6/2008	Rowley et al.
4,266,757	A	5/1981	Kirkwood	D579,574	S *	10/2008	Cook D25/38.1
4,340,199	A	7/1982	Brock	7,434,789	B2	10/2008	Crumrine
4,389,133	A	6/1983	Oberst	7,438,284	B2	10/2008	McGinness et al.
4,390,164	A	6/1983	Cokelekoglu	7,445,196	B2	11/2008	Cantley et al.
4,390,165	A	6/1983	Murdock	D583,484	S *	12/2008	Ferris D25/38.1
4,477,058	A	10/1984	Lowery	7,500,654	B2	3/2009	Rosaen
4,480,854	A	11/1984	Doty	7,530,550	B2	5/2009	Fattori
4,565,465	A	1/1986	Oberst	7,543,802	B2	6/2009	Petta et al.
4,586,697	A	5/1986	Tornya	7,641,180	B2	1/2010	Adderton
4,623,128	A	11/1986	Dutch et al.	7,641,963	B2	1/2010	Grafenauer
4,725,044	A	2/1988	Cluff	7,654,401	B2	2/2010	Obergoenner
4,797,020	A	1/1989	Winston	7,744,065	B2	6/2010	Terrels et al.
4,805,879	A	2/1989	Spera	7,789,376	B2	9/2010	Diamond et al.
4,809,955	A	3/1989	Veilleux	7,802,351	B2	9/2010	McGinness et al.
4,883,256	A	11/1989	Hebda	7,857,291	B2	12/2010	Dombroski
4,919,394	A	4/1990	Otte et al.	D670,405	S	11/2012	McKenzie
4,929,116	A	5/1990	Mahl	8,403,303	B2	3/2013	Payne et al.
4,976,567	A	12/1990	Spier	8,511,648	B2	8/2013	McCarthy et al.
4,995,591	A	2/1991	Humphrey et al.	8,899,555	B2	12/2014	Sherstad
5,011,325	A	4/1991	Antonioli	D724,759	S *	3/2015	Tucker D25/38.1
5,247,773	A	9/1993	Weir	9,027,909	B1	5/2015	Peyton et al.
5,284,359	A	2/1994	Baba	D739,557	S *	9/2015	Buente D25/38.1
5,454,548	A	10/1995	Moore	9,435,134	B2	9/2016	Walmsley
5,533,237	A	7/1996	Higgins	9,695,612	B2 *	7/2017	Batts, III E04H 17/1439
5,544,866	A	8/1996	Dye	2002/0000545	A1	1/2002	Pettit et al.
5,660,378	A	8/1997	Schall	2002/0023406	A1	2/2002	Pettit et al.
5,702,090	A	12/1997	Edgman	2002/0056251	A1	5/2002	Venegas, Jr.
5,713,171	A	2/1998	Andres	2002/0109132	A1	8/2002	Tsao
5,836,714	A	11/1998	Christensen	2003/0041545	A1	3/2003	Stanchfield
5,862,642	A	1/1999	Erwin	2003/0196395	A1	10/2003	Forbis et al.
5,882,001	A	3/1999	Reinbold	2004/0009338	A1	1/2004	Jo et al.
5,988,599	A	11/1999	Forbis	2004/0018666	A1	1/2004	Lee et al.
6,029,954	A	2/2000	Murdaca	2004/0026679	A1	2/2004	Terrels et al.
6,042,296	A	3/2000	Wittig et al.	2004/0051092	A1	3/2004	Curatolo
D427,322	S	6/2000	DeSouza	2004/0188663	A1 *	9/2004	Stein E04H 17/1439 256/59
6,135,425	A	10/2000	Platt	2004/0188666	A1	9/2004	Pratt
6,173,944	B1 *	1/2001	McCarthy E04H 17/1443 256/19	2005/0075423	A1	4/2005	Riebel et al.
6,202,987	B1	3/2001	Forbis	2005/0199866	A1	9/2005	Clifford Green
6,290,214	B1	9/2001	DeSouza	2005/0242336	A1	11/2005	Giacchino
6,305,670	B1	10/2001	Ward et al.	2006/0001015	A1	1/2006	Forbis et al.
6,311,955	B1	11/2001	McGarry et al.	2006/0202186	A1	9/2006	Rowley et al.
D455,839	S *	4/2002	Pettit D25/42	2006/0273295	A1	12/2006	Maly et al.
6,375,166	B1	4/2002	Schall et al.	2007/0062146	A1	3/2007	Van Dijk et al.
6,398,193	B1	6/2002	DeSouza	2007/0158630	A1	7/2007	Lo
6,446,398	B2	9/2002	Weir	2007/0170410	A1	7/2007	Devine
6,460,829	B1	10/2002	Forbis et al.	2007/0181865	A1	8/2007	Hein
6,467,756	B1	10/2002	Elsasser	2007/0181866	A1	8/2007	Strong
6,478,287	B2	11/2002	DeSouza	2008/0023684	A1	1/2008	Diamond et al.
6,508,457	B1	1/2003	Knudson et al.	2008/0217598	A1	9/2008	Dombroski
6,524,518	B1	2/2003	Pelfrey	2008/0265232	A1	10/2008	Terrels et al.
6,595,497	B1	7/2003	Linford et al.	2008/0299351	A1	12/2008	Buchholtz et al.
D479,612	S *	9/2003	Larsen D25/121	2009/0065755	A1	3/2009	Sherstad
				2009/0065756	A1	3/2009	McGinness et al.
				2009/0226246	A1	9/2009	Piper et al.

(56)

References Cited

U.S. PATENT DOCUMENTS

2010/0096608 A1* 4/2010 McCarthy E04H 17/1404
256/19
2010/0155683 A1 6/2010 Payne et al.
2010/0237308 A1 9/2010 Lo
2011/0001104 A1 1/2011 Rowley et al.
2011/0073824 A1 3/2011 Lappin et al.
2011/0155982 A1 6/2011 Duffy et al.
2012/0090140 A1 4/2012 Montemayor et al.
2013/0328001 A1 12/2013 McCarthy et al.
2016/0194897 A1* 7/2016 McCarthy E04H 17/1404
256/65.04

FOREIGN PATENT DOCUMENTS

CA 2298963 A1 8/2001
CA 2157155 C 11/2001
CA 2349963 A1 12/2001
CA 2362250 A1 5/2002
CA 2340600 A1 9/2002
CA 2363976 A1 5/2003
CA 2624235 A1 9/2009
CA 2653263 A1 9/2009
CA 2683274 A1 4/2010
DE 1707911 U1 7/1977
EP D754600 A1 1/1997
FR 2814529 A1 3/2002
JP H09195476 A 7/1997

OTHER PUBLICATIONS

English Language Translation of DE 1684649, A1, Mar. 15, 1966,
Applicant: ECE Patent AB, 4 pages.

* cited by examiner

