



US00D858797S

(12) **United States Design Patent** (10) **Patent No.:** **US D858,797 S**
Heston et al. (45) **Date of Patent:** **** Sep. 3, 2019**

(54) **COVER**
(71) Applicant: **TRUMBULL MANUFACTURING, INC.**, Youngstown, OH (US)
(72) Inventors: **Adrian Heston**, Youngstown, OH (US); **Blake Emanuel**, Youngstown, OH (US)
(73) Assignee: **TRUMBULL MANUFACTURING, INC.**, Youngstown, OH (US)

D428,658 S * 7/2000 Glab D25/36
D428,999 S * 8/2000 Glab D25/36
7,619,878 B1 * 11/2009 Cook G01D 4/02
137/364
D615,665 S * 5/2010 Berthon D25/36
D660,455 S * 5/2012 Belue D25/36
D666,306 S * 8/2012 Belue D25/36
D753,800 S * 4/2016 Callaghan D23/249
9,347,583 B2 * 5/2016 Emanuel F16K 37/0016
9,350,148 B2 * 5/2016 Emanuel H02G 3/081
2011/0017324 A1 * 1/2011 Emanuel E03B 7/09
137/556

(**) Term: **15 Years**

(Continued)

(21) Appl. No.: **29/622,458**

FOREIGN PATENT DOCUMENTS

(22) Filed: **Oct. 17, 2017**

JP D1064476 * 3/2000

(51) **LOC (12) Cl.** **25-02**

(52) **U.S. Cl.**
USPC **D25/36**

OTHER PUBLICATIONS

(58) **Field of Classification Search**
USPC D7/538, 629; D9/435, 454; D10/96,
D10/103; D23/233-250; D25/36
CPC E02D 29/14; E02D 29/1427; E04F 19/08;
Y10T 137/6995; H02G 3/081; H02G
3/14; G01F 15/14
See application file for complete search history.

<http://www.trumbull-mfg.com/products/composite-polymer-metermanhole-lids-meter-cplgsflanges/meter-box-lids/> Sep. 9, 2017 (Year: 2017).*

Primary Examiner — Leanne Was-Englehart
(74) *Attorney, Agent, or Firm* — Tucker Ellis LLP

(56) **References Cited**

(57) **CLAIM**

The ornamental design for a cover, as shown and described.

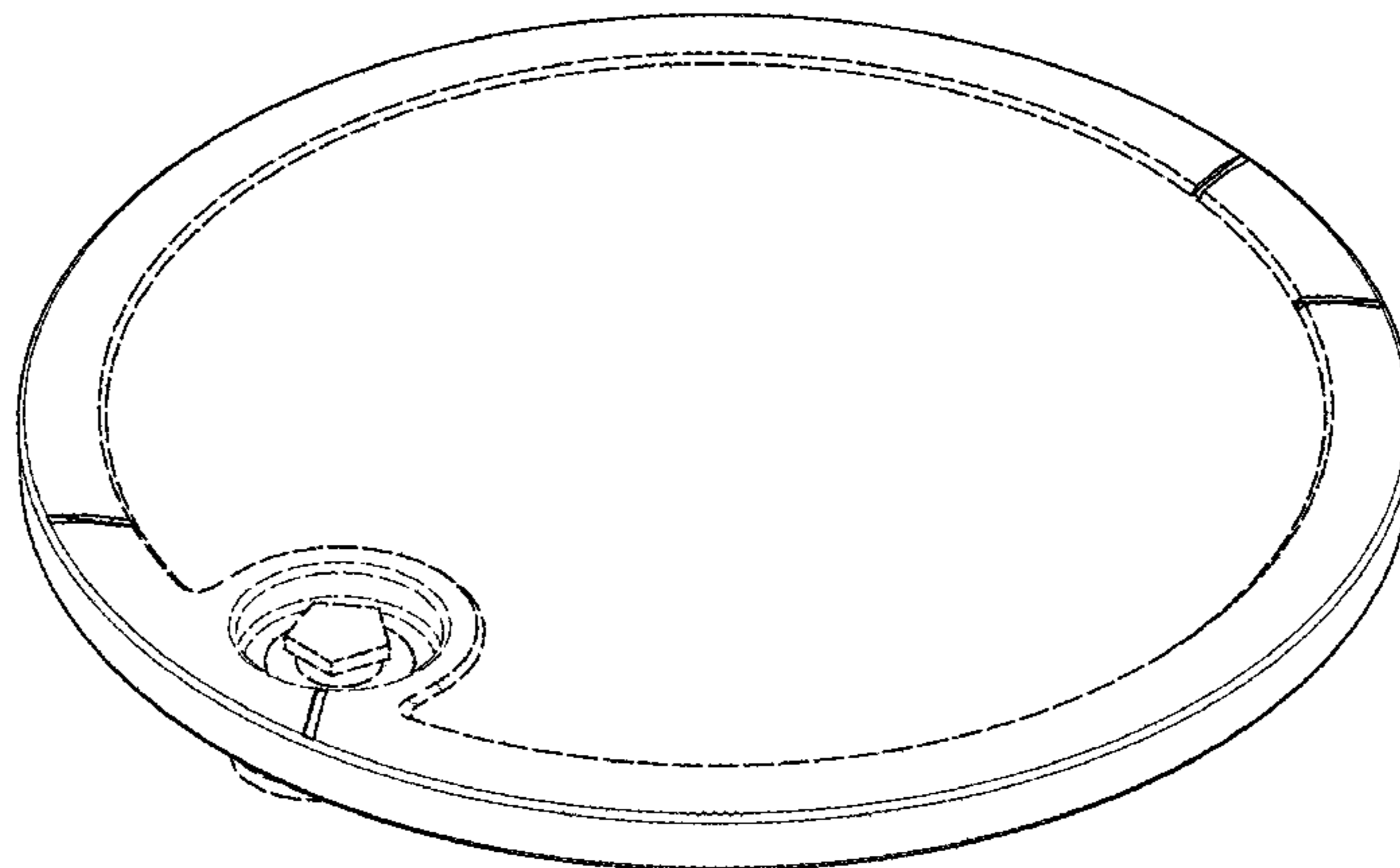
U.S. PATENT DOCUMENTS

DESCRIPTION

D27,675 S * 9/1897 Greger D25/36
D27,676 S * 9/1897 Greger D25/36
D30,804 S * 5/1899 Greger D25/36
D30,805 S * 5/1899 Greger D25/36
1,923,481 A * 8/1933 Ford G01F 15/14
210/163
D220,187 S * 3/1971 Moran et al. D10/100
3,717,963 A * 2/1973 Sauriol G01F 15/14
137/364
4,048,766 A * 9/1977 Dantzer E02D 29/14
137/364
D306,482 S * 3/1990 Milo D25/36
D351,669 S * 10/1994 Newton D25/36
D380,166 S * 6/1997 Burgess D10/103

FIG. 1 is a perspective view of a cover showing our new design;
FIG. 2 is a front view thereof;
FIG. 3 is a rear view thereof;
FIG. 4 is a top view thereof;
FIG. 5 is a bottom view thereof;
FIG. 6 is a left side view thereof; and,
FIG. 7 is a right side view thereof.
The broken lines depict portions of the cover that form no part of the claimed design.

1 Claim, 7 Drawing Sheets



(56)

References Cited

U.S. PATENT DOCUMENTS

2014/0268506 A1* 9/2014 Emanuel H02G 3/081
361/659
2014/0331913 A1* 11/2014 Emanuel F16K 37/0016
116/201
2018/0100285 A1* 4/2018 Emanuel E02D 29/1445

* cited by examiner

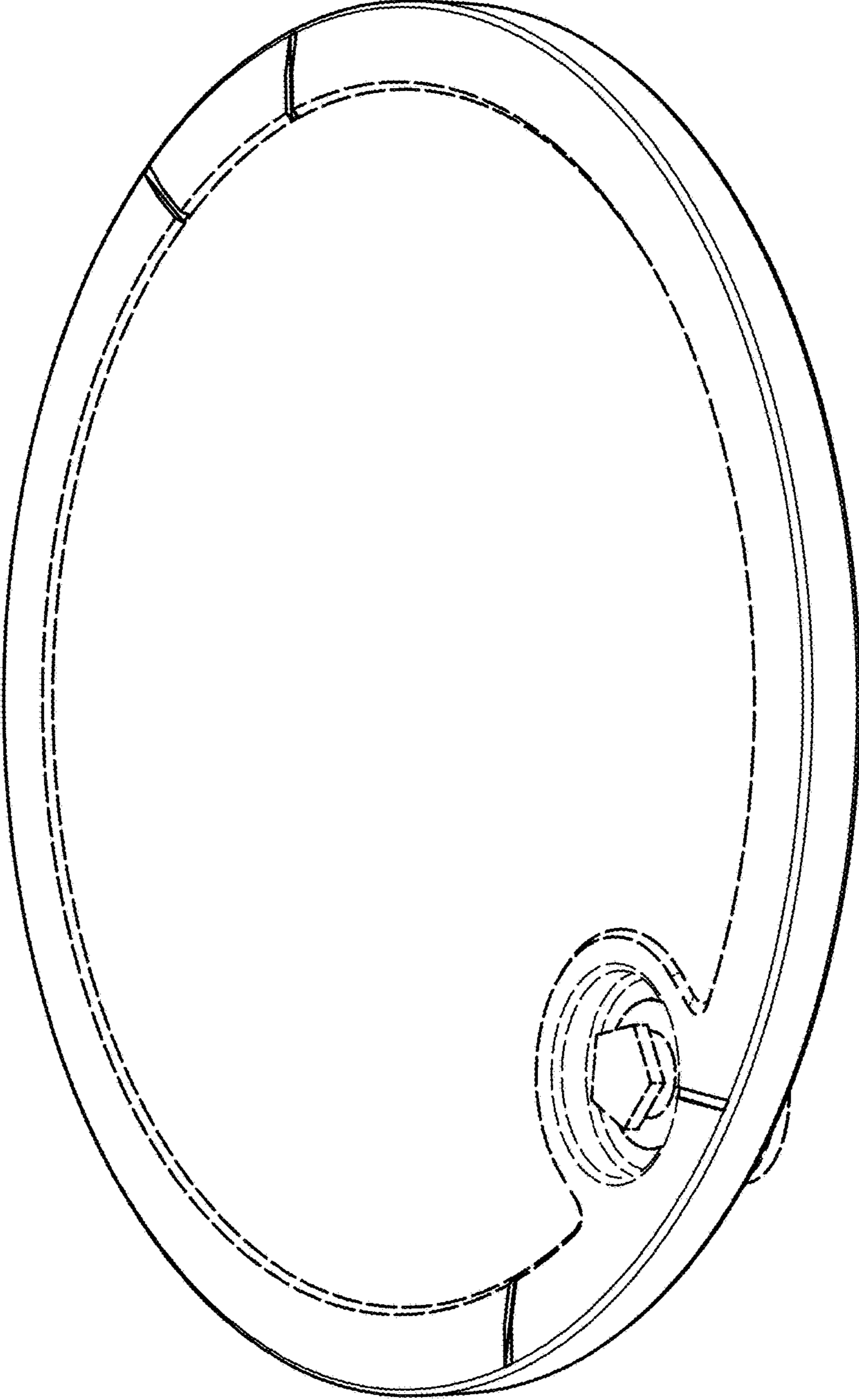


FIG. 1

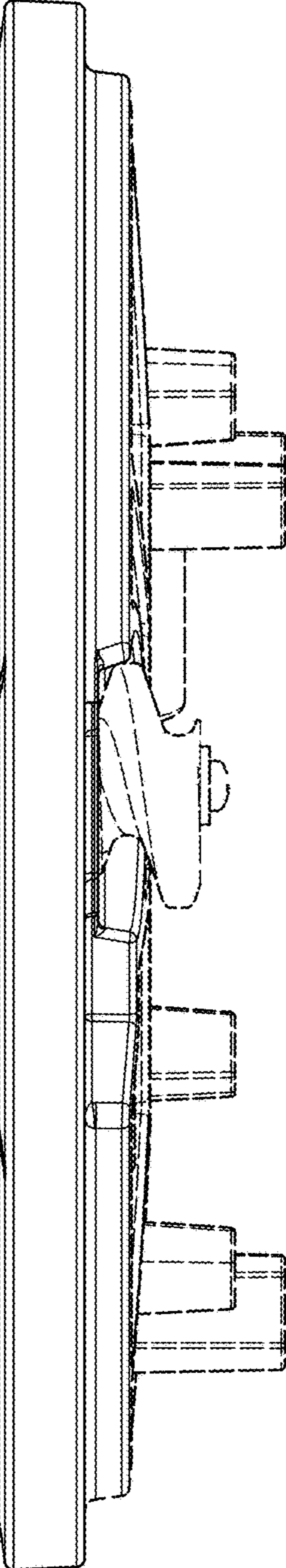


FIG. 2

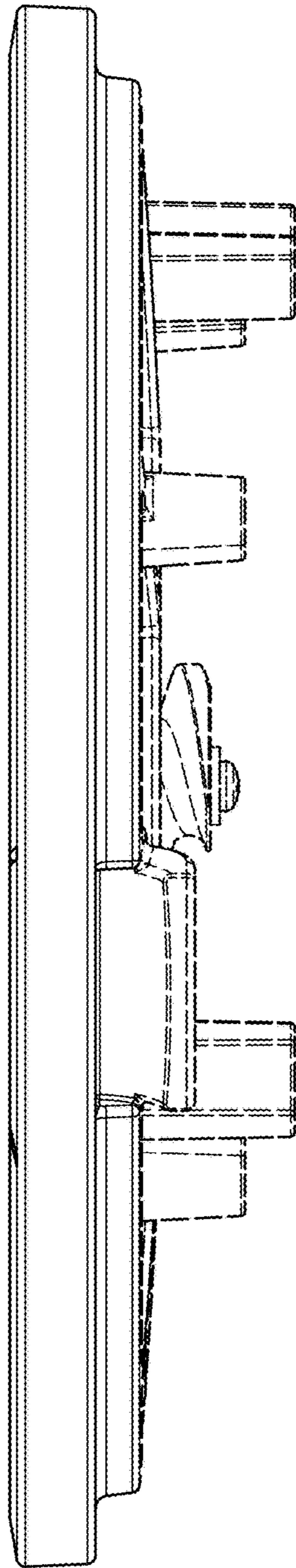


FIG. 3

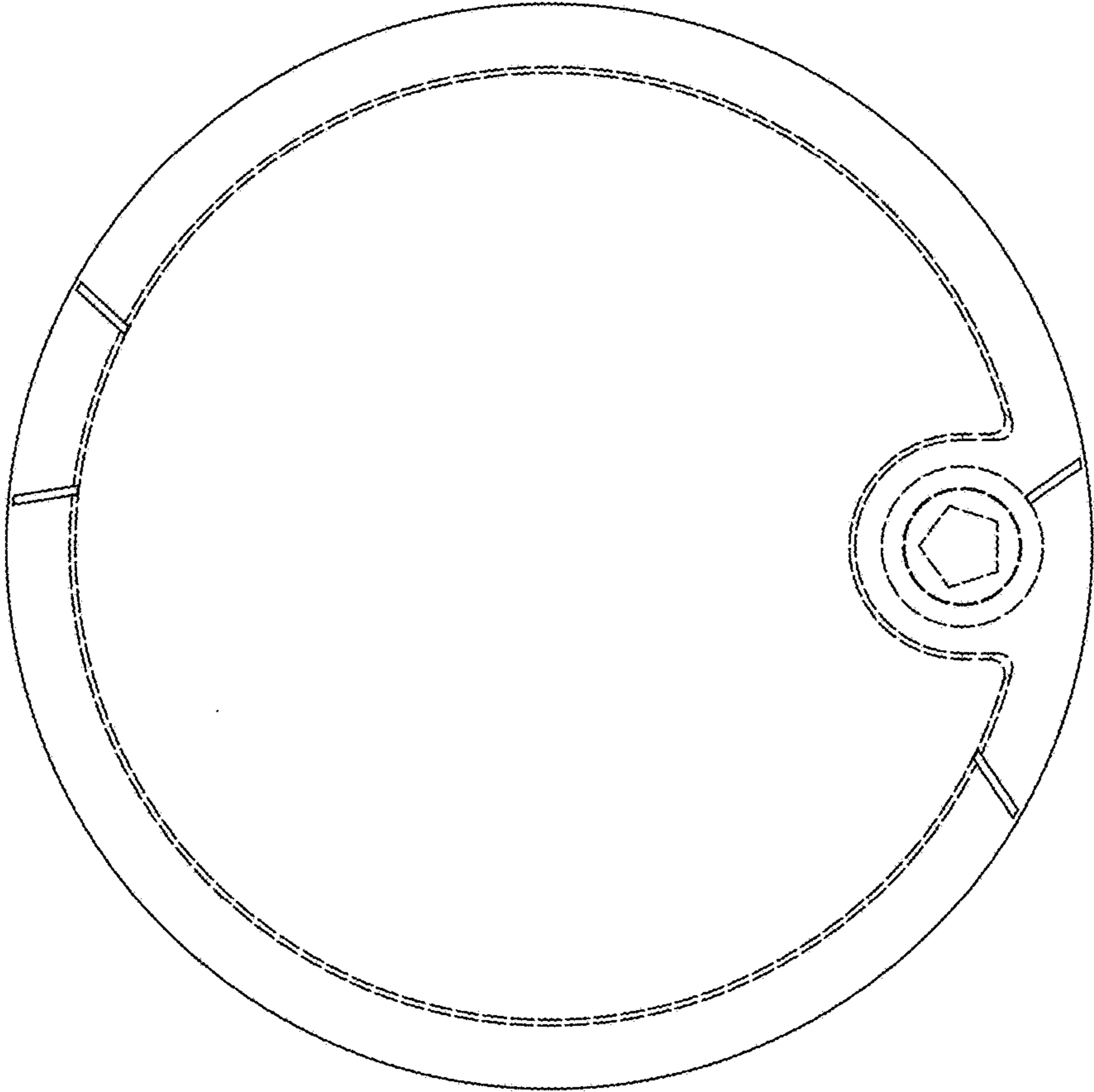


FIG. 4

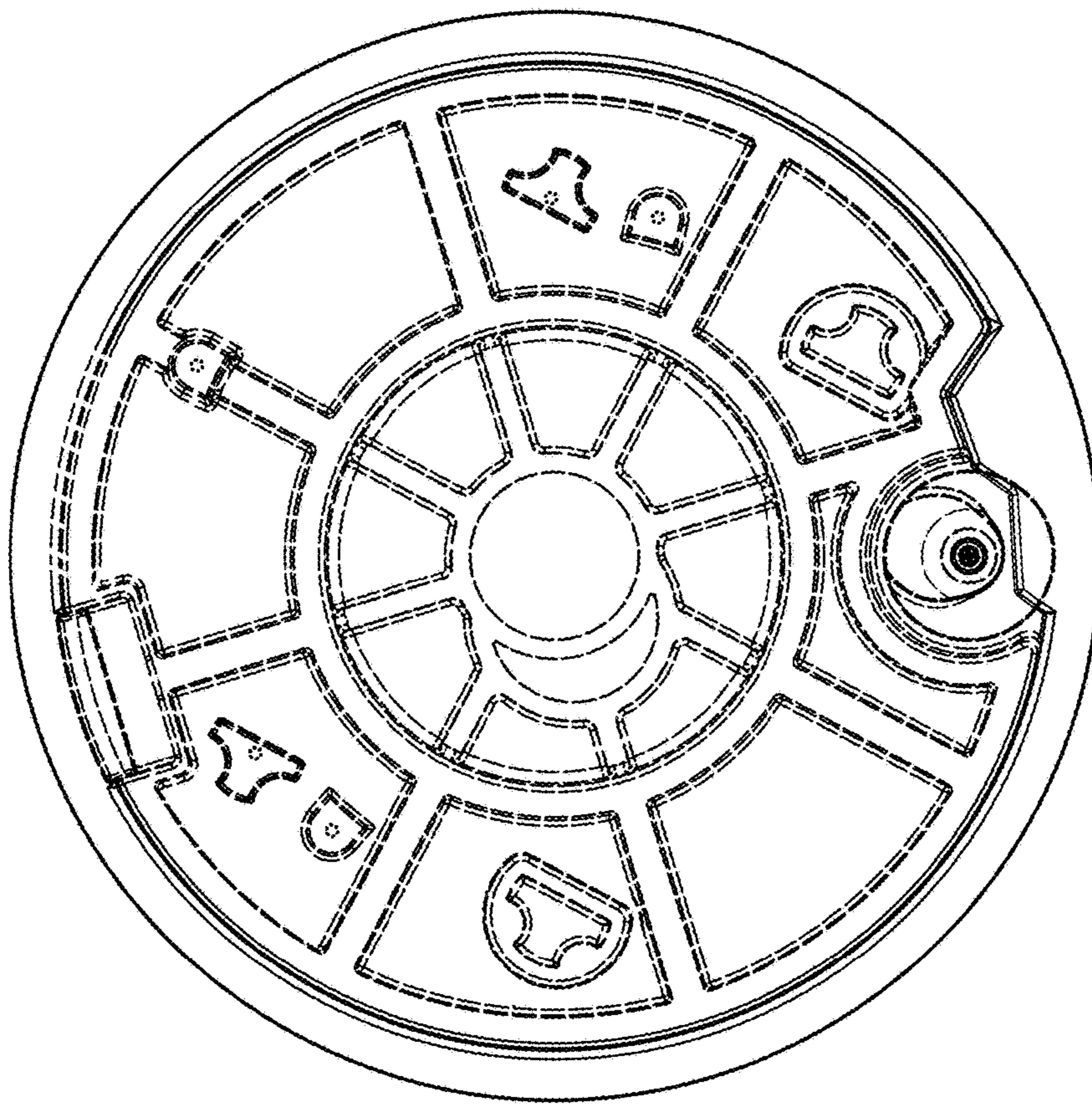


FIG. 5

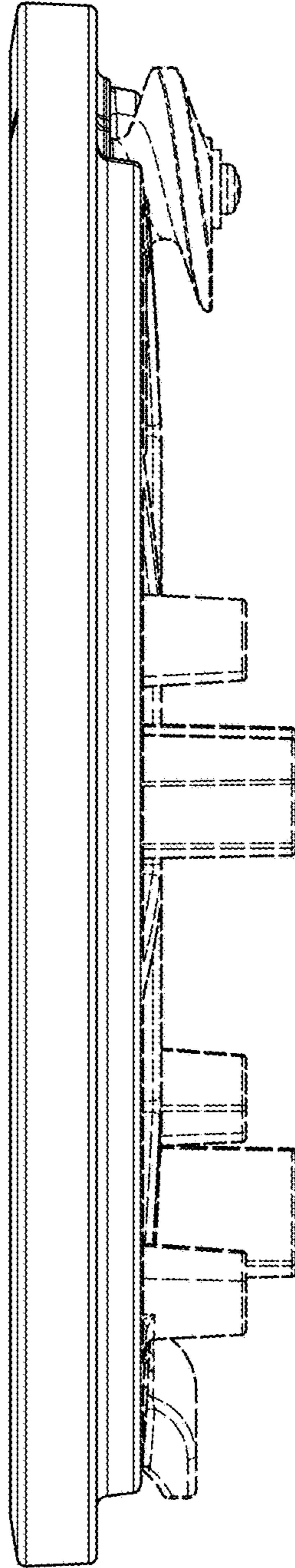


FIG. 6

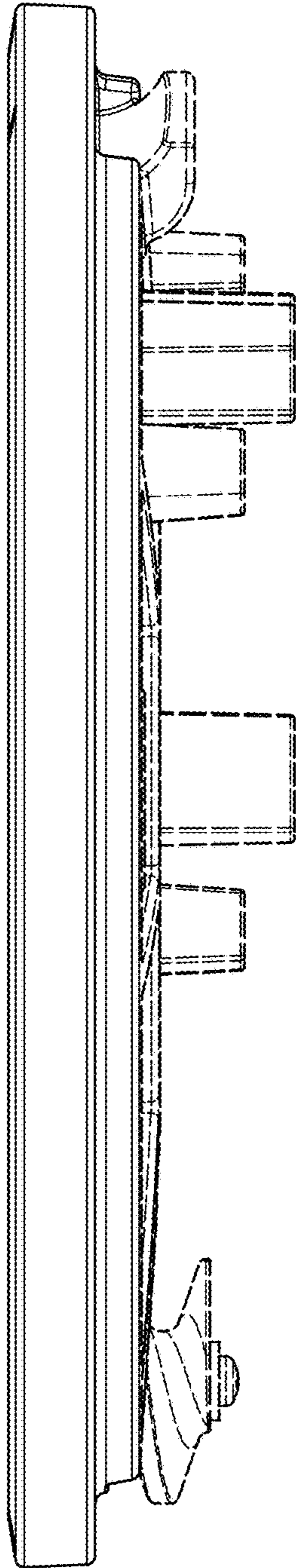


FIG. 7