



US00D858793S

(12) **United States Design Patent** (10) **Patent No.:** **US D858,793 S**  
**Nelson** (45) **Date of Patent:** **\*\* Sep. 3, 2019**

(54) **ELECTROPHORESIS COMB WITH WEDGE-SHAPED TEETH**

*Primary Examiner* — Wan Laymon

(71) Applicant: **LIFE TECHNOLOGIES CORPORATION**, Carlsbad, CA (US)

(57) **CLAIM**

The ornamental design for an electrophoresis comb with wedge-shaped teeth, as shown and described.

(72) Inventor: **Paul Nelson**, Encinitas, CA (US)

(73) Assignee: **LIFE TECHNOLOGIES CORPORATION**, Carlsbad, CA (US)

**DESCRIPTION**

(\*\*) Term: **15 Years**

(21) Appl. No.: **29/626,480**

(22) Filed: **Nov. 17, 2017**

**Related U.S. Application Data**

(62) Division of application No. 29/587,520, filed on Dec. 13, 2016, now Pat. No. Des. 806,894, which is a (Continued)

(51) **LOC (12) Cl.** ..... **24-99**

(52) **U.S. Cl.**  
USPC ..... **D24/233**

(58) **Field of Classification Search**  
USPC ..... D24/232-233, 216-217; D10/81 (Continued)

(56) **References Cited**

**U.S. PATENT DOCUMENTS**

3,620,947 A 11/1971 Allen et al.  
D231,609 S 5/1974 Broek et al.  
(Continued)

**FOREIGN PATENT DOCUMENTS**

WO 1998025136 6/1998

**OTHER PUBLICATIONS**

Bio-Rad, Automating electrophoresis with the new Experion (TM) System, *BioRadiations*, No. 115, 2005, 36 pages.  
(Continued)

FIG. 1 is a front, top and side perspective view of an electrophoresis comb with wedge-shaped teeth, according to an exemplary embodiment;  
FIG. 2 is a back, top and side perspective view of the electrophoresis comb with wedge-shaped teeth of FIG. 1;  
FIG. 3 is a front view of the electrophoresis comb with wedge-shaped teeth of FIG. 1;  
FIG. 4 is a back view of the electrophoresis comb with wedge-shaped teeth of FIG. 1;  
FIG. 5 is a right side view of the electrophoresis comb with wedge-shaped teeth of FIG. 1;  
FIG. 6 is a left side view of the electrophoresis comb with wedge-shaped teeth of FIG. 1;  
FIG. 7 is a top view of the electrophoresis comb with wedge-shaped teeth of FIG. 1;  
FIG. 8 is a bottom view of the electrophoresis comb with wedge-shaped teeth of FIG. 1;  
FIG. 9 is a front, top and side perspective view of an electrophoresis comb with wedge-shaped teeth, according to an exemplary embodiment;  
FIG. 10 is a back, top and side perspective view of the electrophoresis comb with wedge-shaped teeth of FIG. 9;  
FIG. 11 is a front view of the electrophoresis comb with wedge-shaped teeth of FIG. 9;  
FIG. 12 is a back view of the electrophoresis comb with wedge-shaped teeth of FIG. 9;  
FIG. 13 is a right side view of the electrophoresis comb with wedge-shaped teeth of FIG. 9;  
FIG. 14 is a left side view of the electrophoresis comb with wedge-shaped teeth of FIG. 9;  
FIG. 15 is a top view of the electrophoresis comb with wedge-shaped teeth of FIG. 9;  
FIG. 16 is a bottom view of the electrophoresis comb with wedge-shaped teeth of FIG. 9;

(Continued)

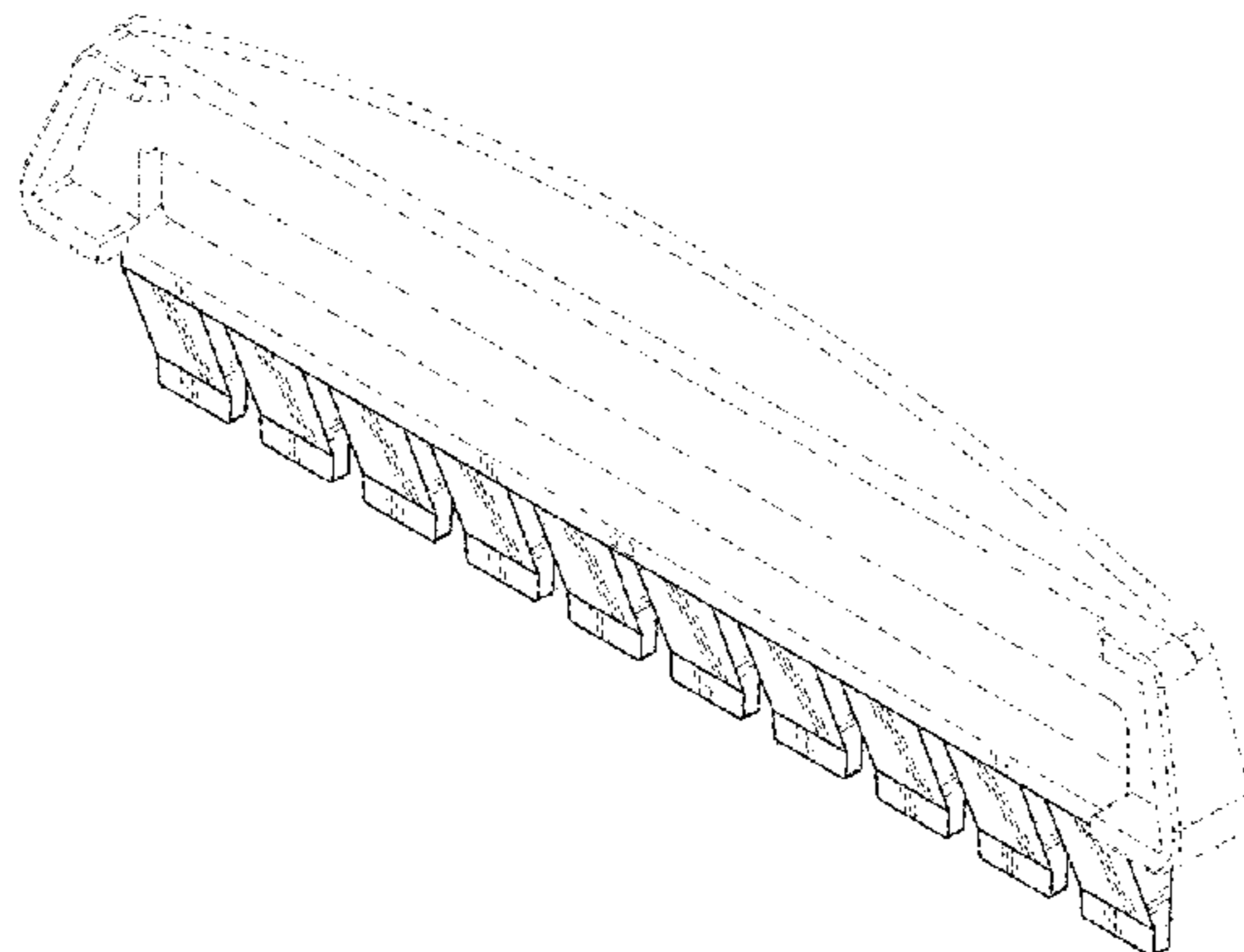


FIG. 17 is a front, top and side perspective view of an electrophoresis comb with wedge-shaped teeth, according to an exemplary embodiment;

FIG. 18 is a back, top and side perspective view of the electrophoresis comb with wedge-shaped teeth of FIG. 17;

FIG. 19 is a front view of the electrophoresis comb with wedge-shaped teeth of FIG. 17;

FIG. 20 is a back view of the electrophoresis comb with wedge-shaped teeth of FIG. 17;

FIG. 21 is a right side view of the electrophoresis comb with wedge-shaped teeth of FIG. 17;

FIG. 22 is a left side view of the electrophoresis comb with wedge-shaped teeth of FIG. 17;

FIG. 23 is a top view of the electrophoresis comb with wedge-shaped teeth of FIG. 17;

FIG. 24 is a bottom view of the electrophoresis comb with wedge-shaped teeth of FIG. 17;

FIG. 25 is a front, top and side perspective view of an electrophoresis comb with wedge-shaped teeth, according to an exemplary embodiment;

FIG. 26 is a back, top and side perspective view of the electrophoresis comb with wedge-shaped teeth of FIG. 25;

FIG. 27 is a front view of the electrophoresis comb with wedge-shaped teeth of FIG. 25;

FIG. 28 is a back view of the electrophoresis comb with wedge-shaped teeth of FIG. 25;

FIG. 29 is a right side view of the electrophoresis comb with wedge-shaped teeth of FIG. 25;

FIG. 30 is a left side view of the electrophoresis comb with wedge-shaped teeth of FIG. 25;

FIG. 31 is a top view of the electrophoresis comb with wedge-shaped teeth of FIG. 25; and,

FIG. 32 is a bottom view of the electrophoresis comb with wedge-shaped teeth of FIG. 25.

The broken lines shown in the figures are included for the purpose of illustrating portions of the electrophoresis comb with wedge-shaped teeth and form no part of the claimed design.

**1 Claim, 24 Drawing Sheets**

**Related U.S. Application Data**

division of application No. 29/520,974, filed on Mar. 19, 2015, now abandoned.

(58) **Field of Classification Search**  
 CPC ..... G01N 27/44704; G01N 27/447; G01N 27/44743; G01N 27/44756; G01N 27/44769; G01N 27/44778; G01N 27/44782; G01N 27/44786

See application file for complete search history.

(56)

**References Cited**

U.S. PATENT DOCUMENTS

4,164,464 A	8/1979	Allington et al.	
4,294,684 A	10/1981	Sewer	
4,339,327 A	7/1982	Tyler	
D282,352 S	1/1986	Hoefler et al.	
4,608,146 A	8/1986	Penaluna	
4,773,984 A	9/1988	Flesher et al.	
4,795,541 A	1/1989	Hurd et al.	
4,830,725 A	5/1989	Berninger et al.	
D303,007 S	8/1989	Flesher et al.	
D315,952 S	4/1991	Berninger et al.	
5,073,246 A	12/1991	Chu et al.	
5,147,522 A	9/1992	Sarrine et al.	
5,338,426 A	8/1994	Shigeura et al.	
5,407,552 A	4/1995	Lebacqz	
5,411,657 A	5/1995	Leka	
D367,713 S	3/1996	LaMotte	
5,514,255 A	5/1996	Gautsch	
5,569,369 A	10/1996	Leffler et al.	
5,618,399 A	4/1997	Gautsch et al.	
5,626,735 A	5/1997	Chu et al.	
5,627,022 A	5/1997	Renfrew	
5,632,877 A	5/1997	Van Atta	
5,938,906 A	8/1999	Moi et al.	
5,972,188 A	10/1999	Rice et al.	
5,989,403 A	11/1999	Provonchee	
6,063,250 A	5/2000	Becker et al.	
D430,304 S	8/2000	Oonuma et al.	
6,110,344 A	8/2000	Renfrew et al.	
D443,068 S	5/2001	Manusu	
6,379,519 B1 *	4/2002	Sevigny ..... G01N 27/44704 204/620	
6,413,402 B1	7/2002	Manusu et al.	
6,521,111 B1	2/2003	Amshey	
6,544,395 B1	4/2003	Merchant et al.	
D516,733 S	3/2006	Pedraza et al.	
D524,948 S	7/2006	Pedraza et al.	
D564,378 S	3/2008	Kaushal et al.	
D564,924 S	3/2008	Kaushal et al.	
D667,134 S	9/2012	Updyke et al.	
D719,277 S	12/2014	Miller et al.	
9,234,874 B2	1/2016	Panattoni et al.	
9,400,260 B2	7/2016	Suh	
9,714,918 B2	7/2017	Updyke	
9,759,682 B2 *	9/2017	Guadagno ..... G01N 27/44743 204/620	
2006/0163067 A1	7/2006	Sevigny	
2007/0284250 A1	12/2007	Magnant	
2008/0272002 A1	11/2008	Johansen et al.	
2011/0042217 A1	2/2011	Updyke	
2011/0114487 A1	5/2011	Schmidt et al.	
2016/0041123 A1	2/2016	Guadagno	
2018/0024094 A1 *	1/2018	Updyke ..... G01N 27/44778 204/620	

OTHER PUBLICATIONS

Phywe, Electrophoresis chamber, Vertical. Product No. 35018-20, <http://www.phywe.com/461/apg/360/pid/27438/Elektrophorese-Kammer,-vertikal-htm> Feb. 13, 2013, 1 page.

Sigma-Aldrich Co. LLC, TV 100 mini vertical electrophoresis unit for pre-case gels, <http://www.sigmaaldrich.com/catalog/product/sigma/z649759?lang=en&region=US>, Feb. 13, 2013, 2 pages.

\* cited by examiner

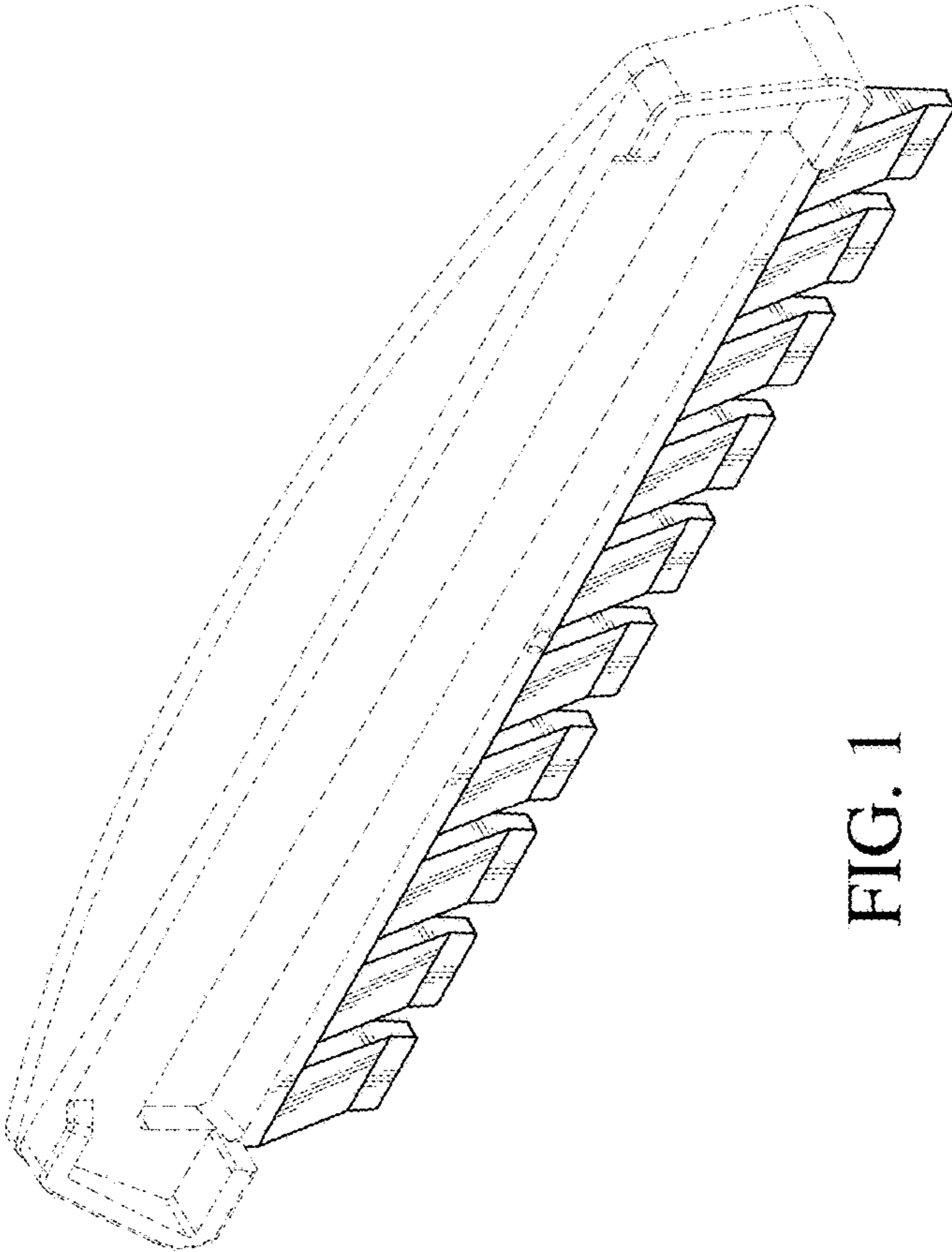


FIG. 1

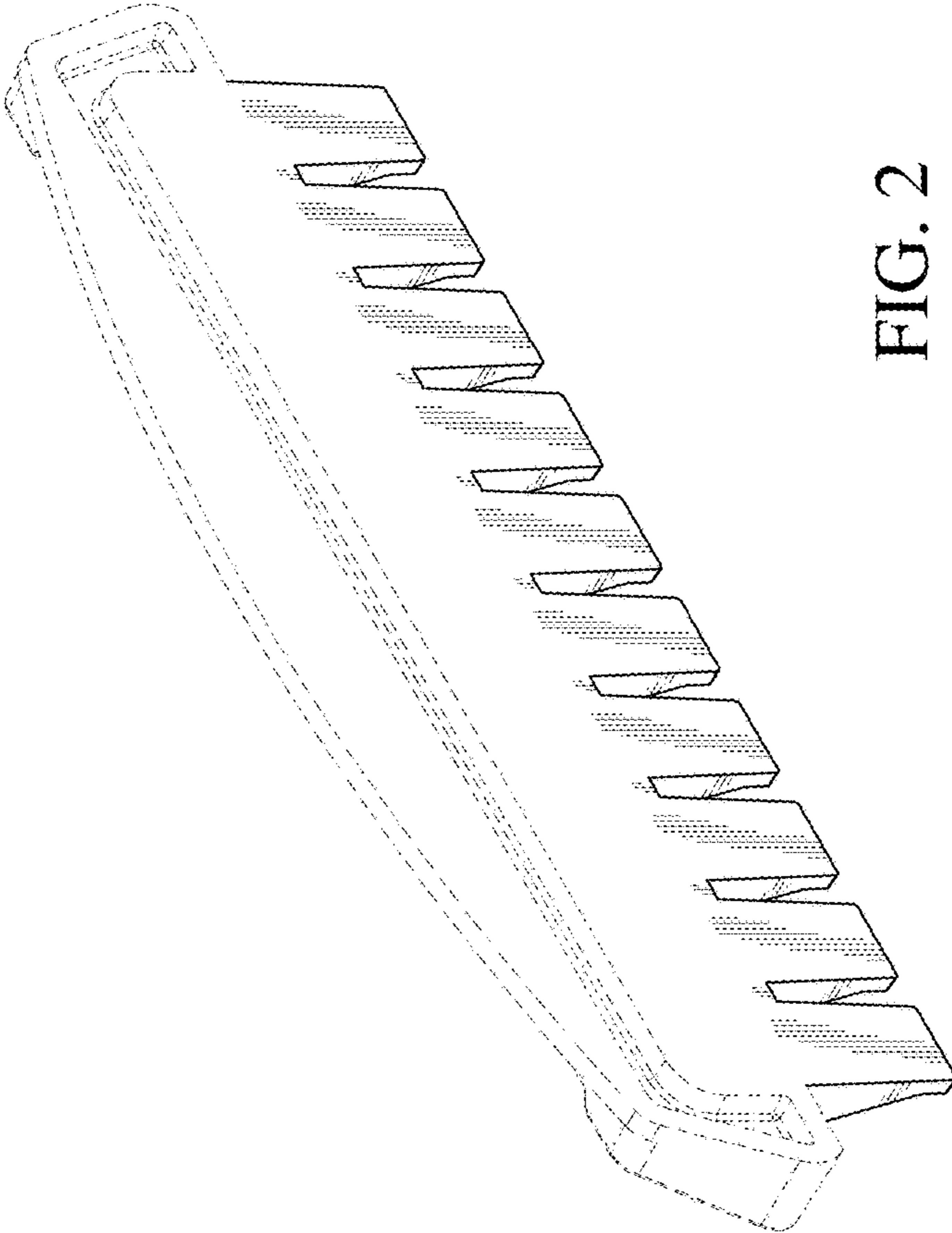


FIG. 2

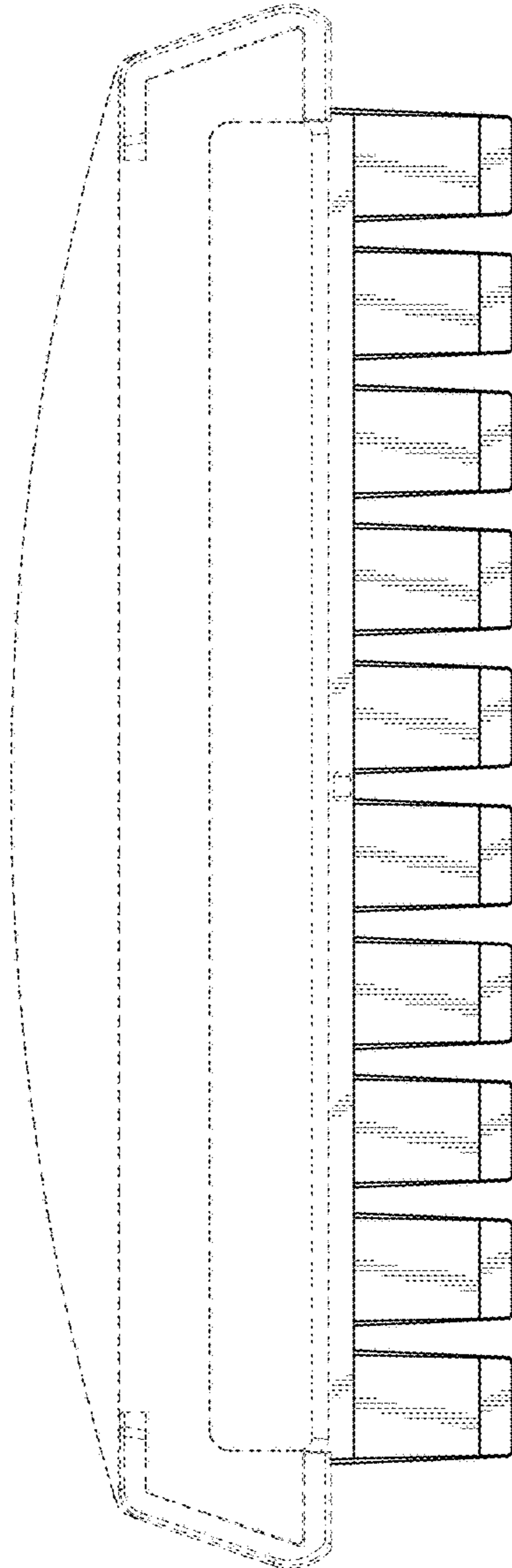


FIG. 3

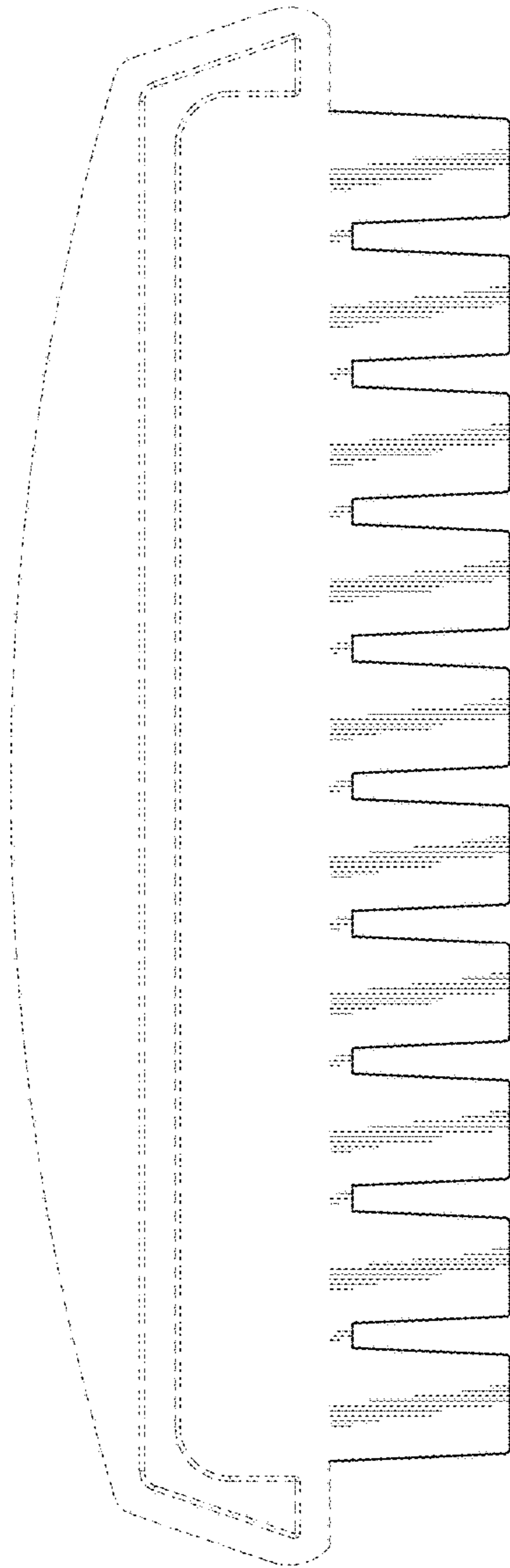


FIG. 4

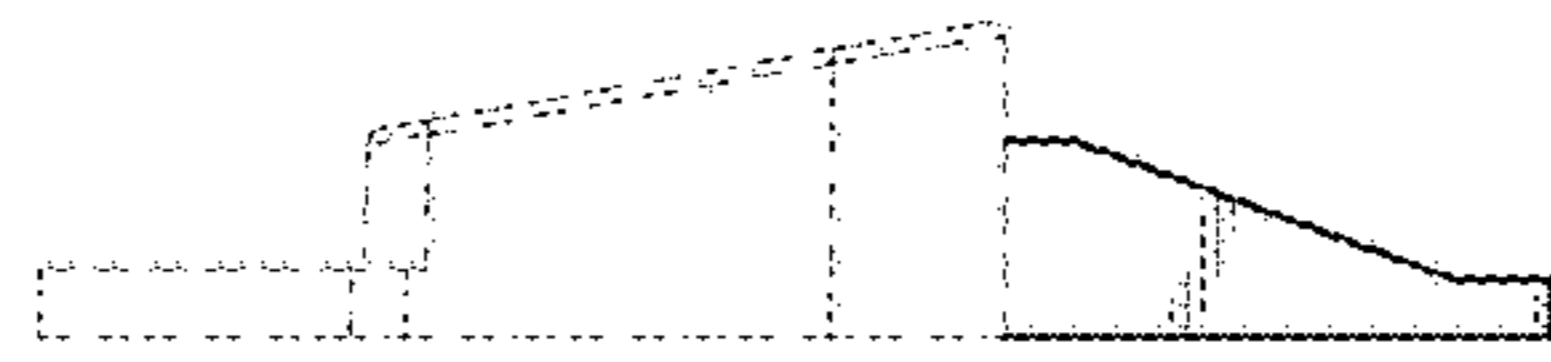


FIG. 6

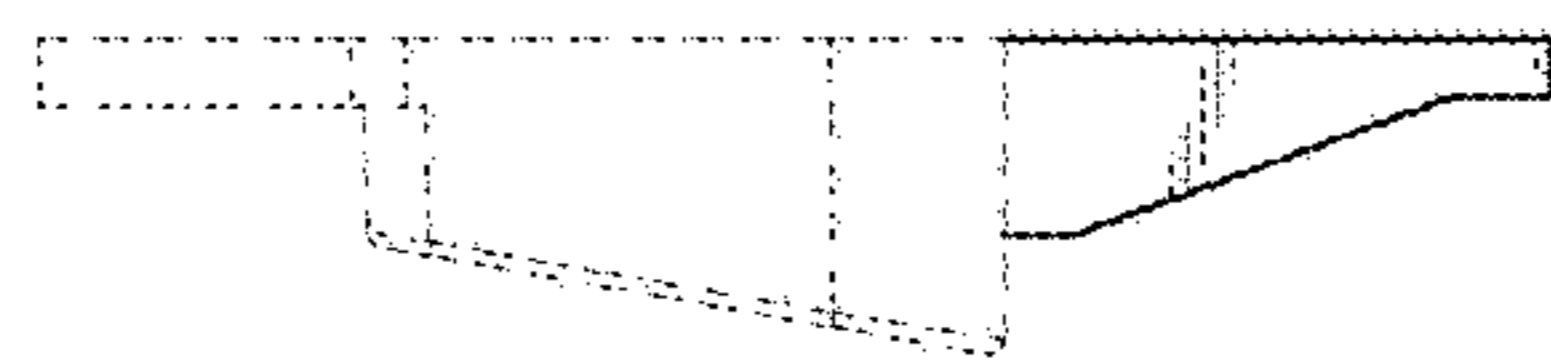


FIG. 5

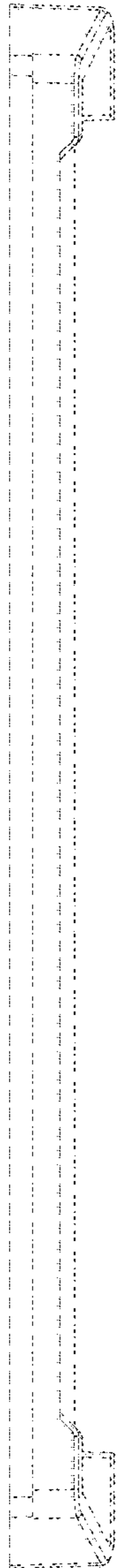


FIG. 7

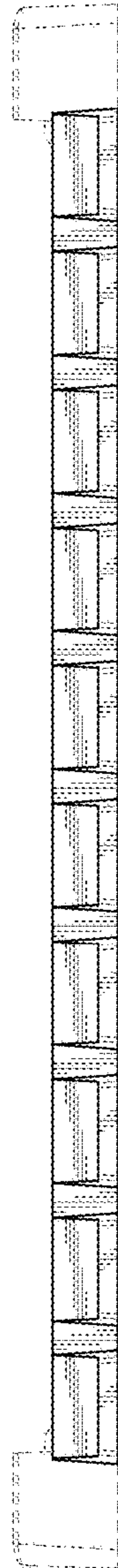


FIG. 8



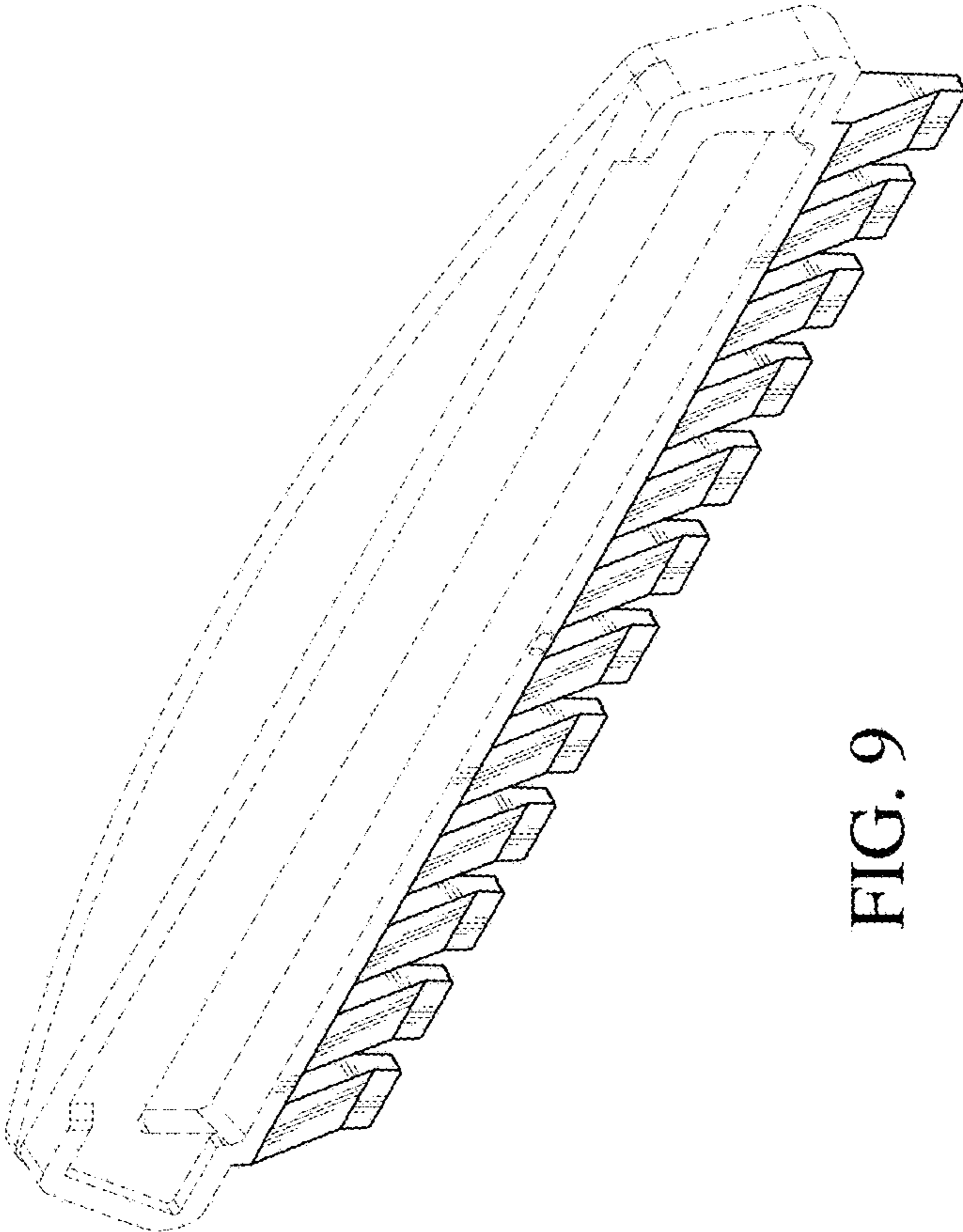


FIG. 9

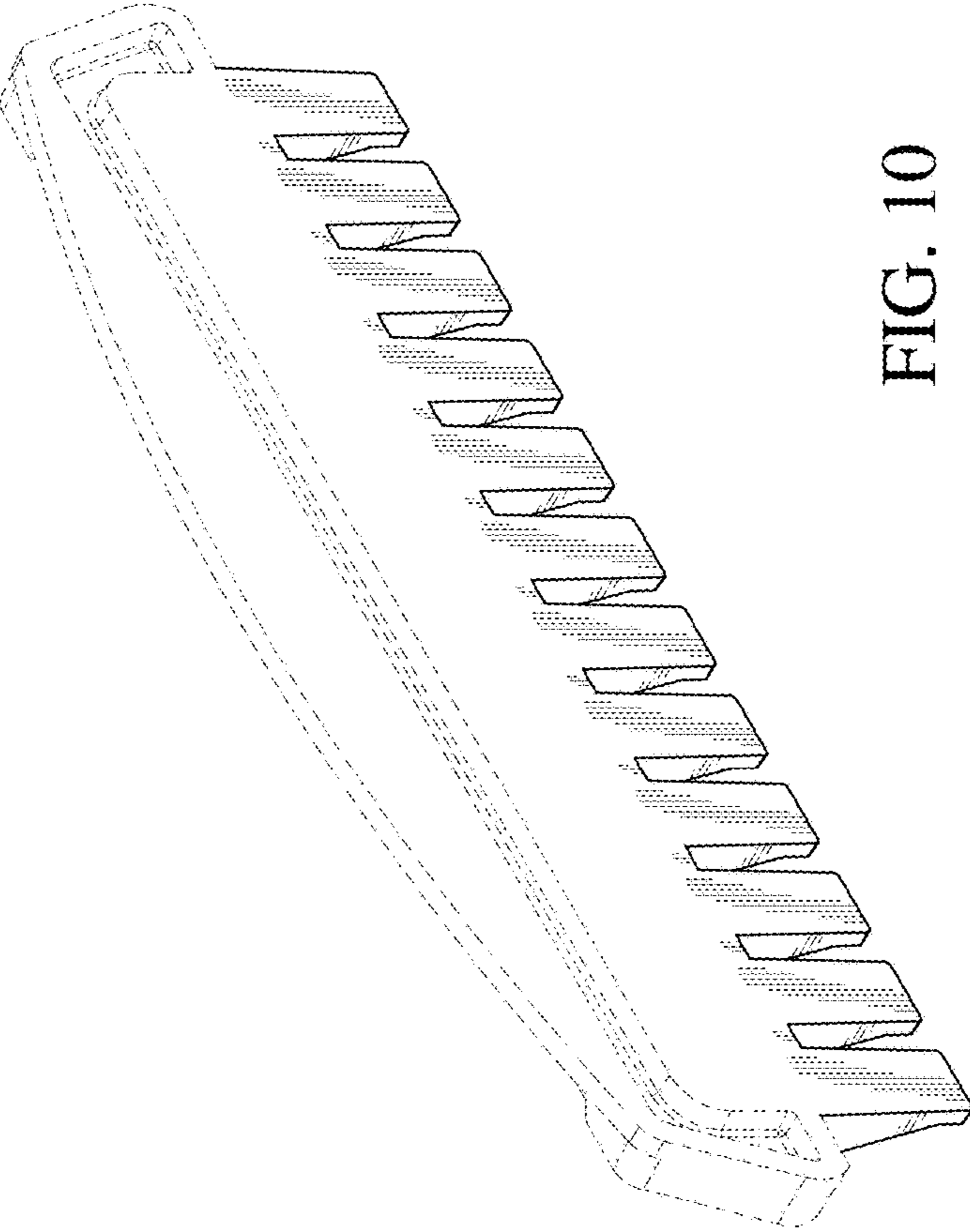


FIG. 10

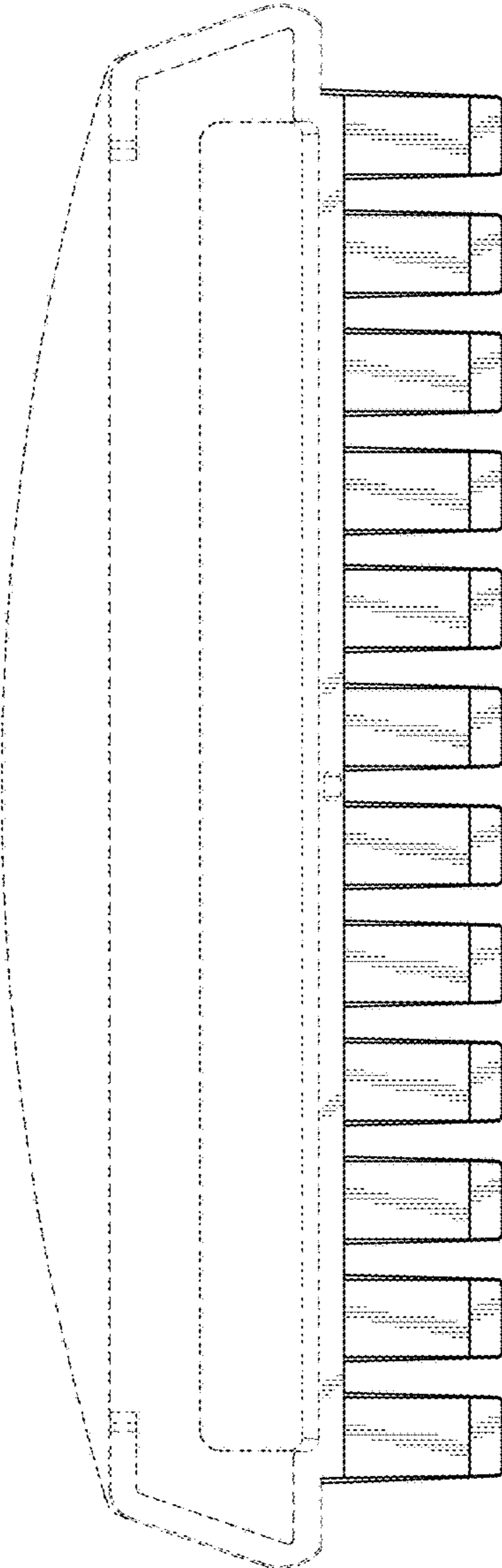


FIG. 11

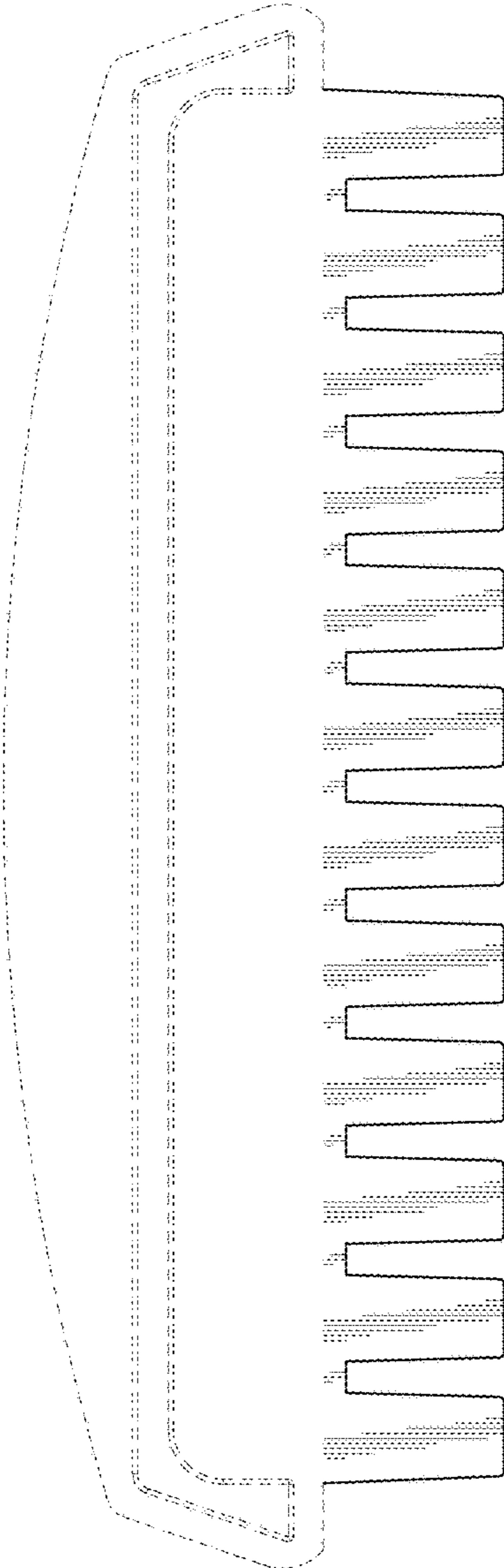


FIG. 12

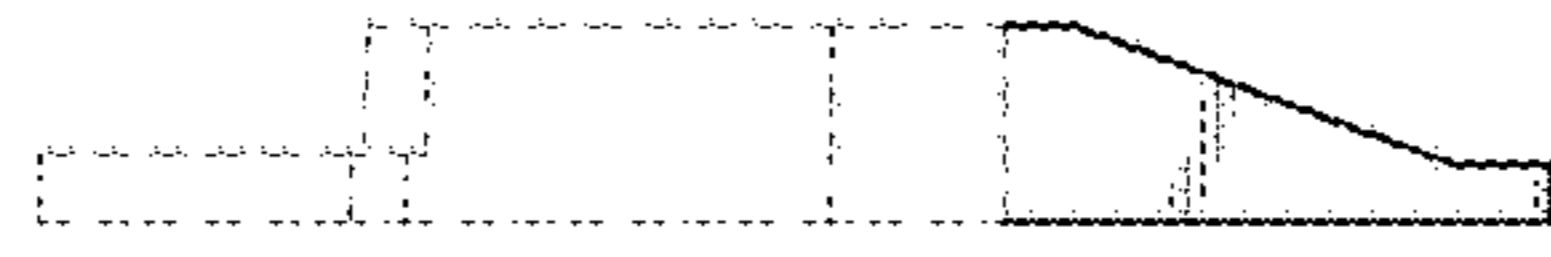


FIG. 14

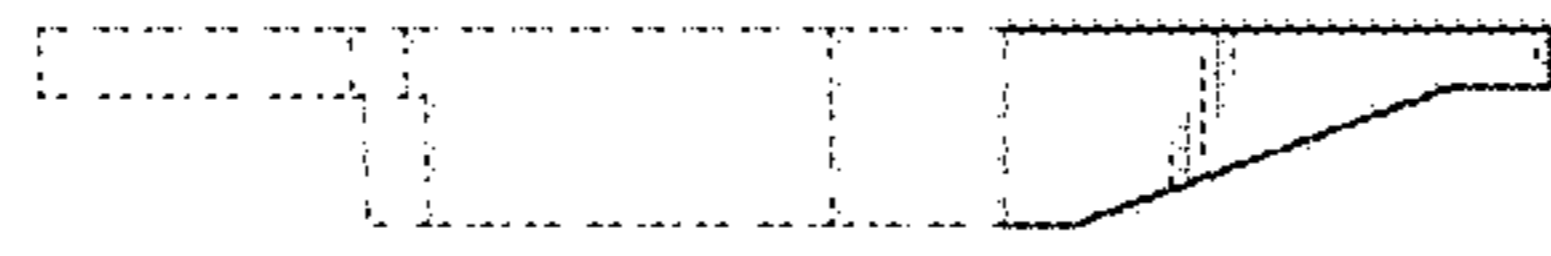


FIG. 13

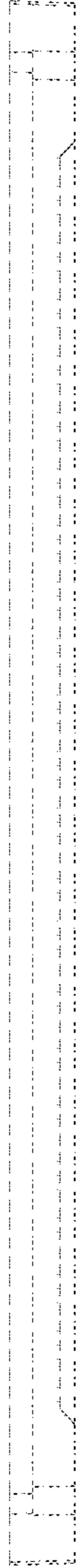


FIG. 15

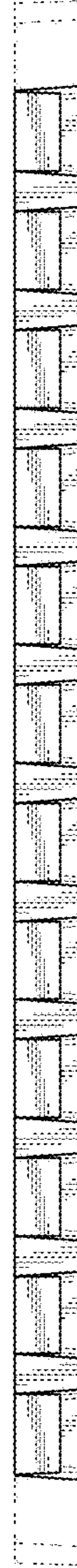


FIG. 16

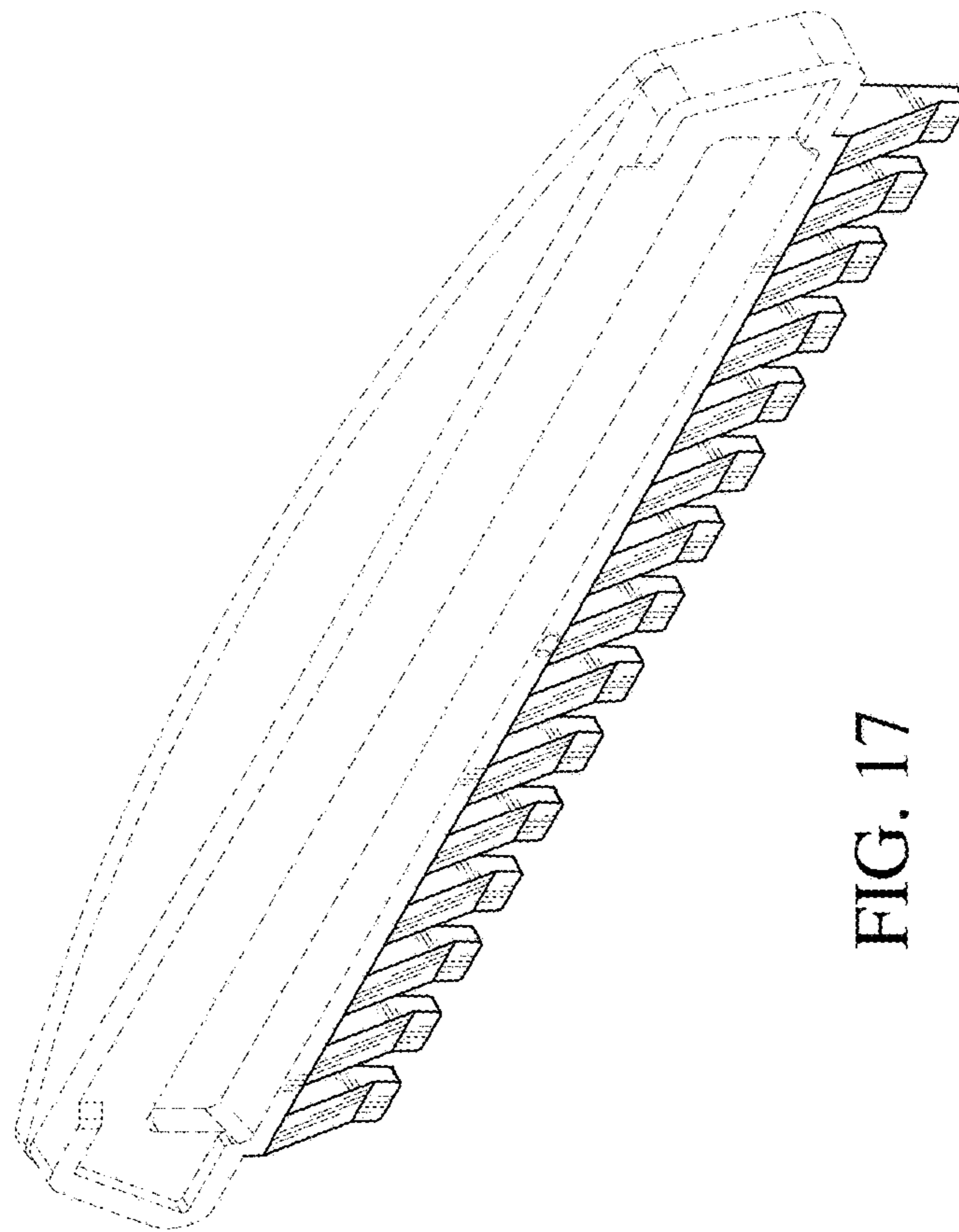


FIG. 17

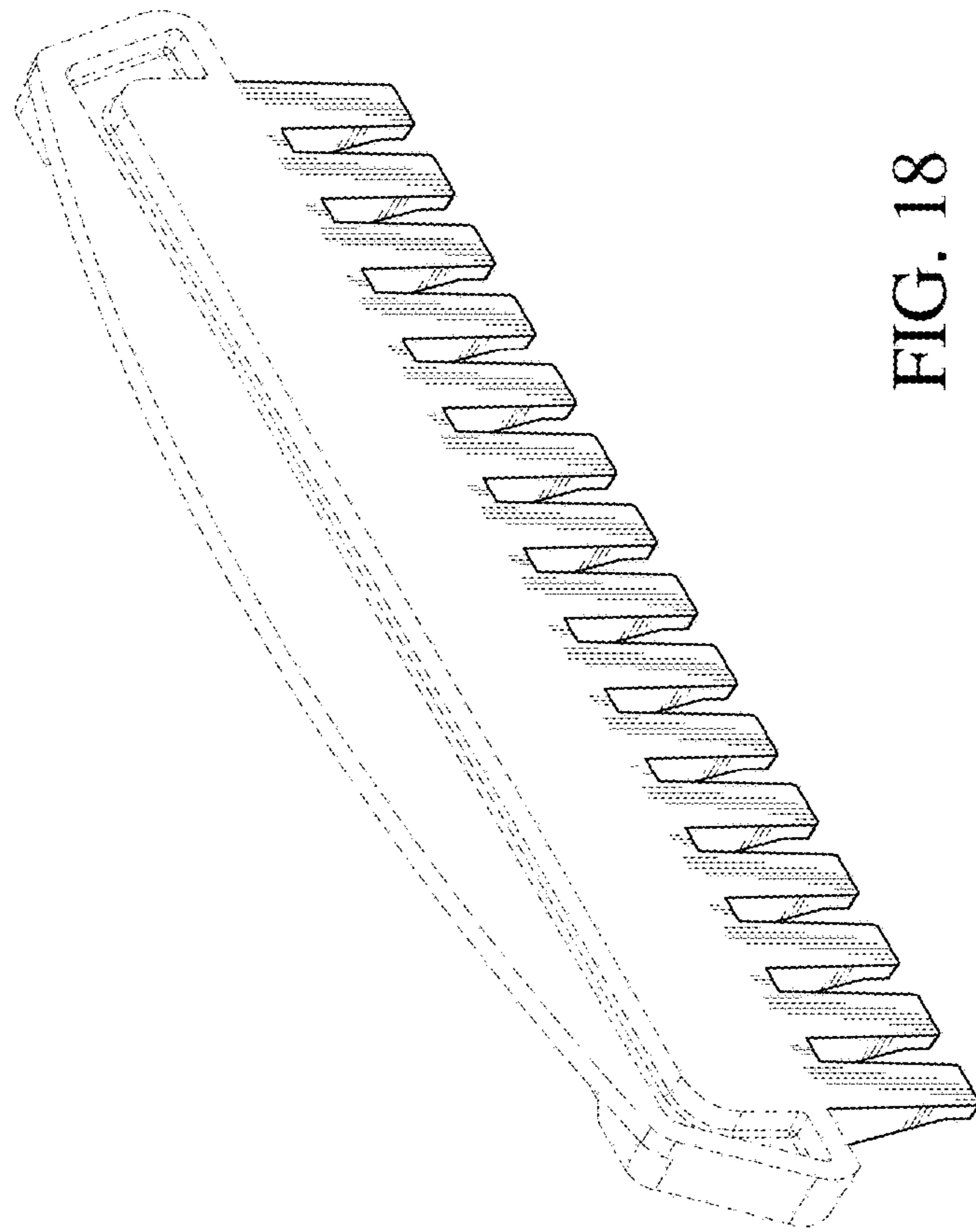


FIG. 18



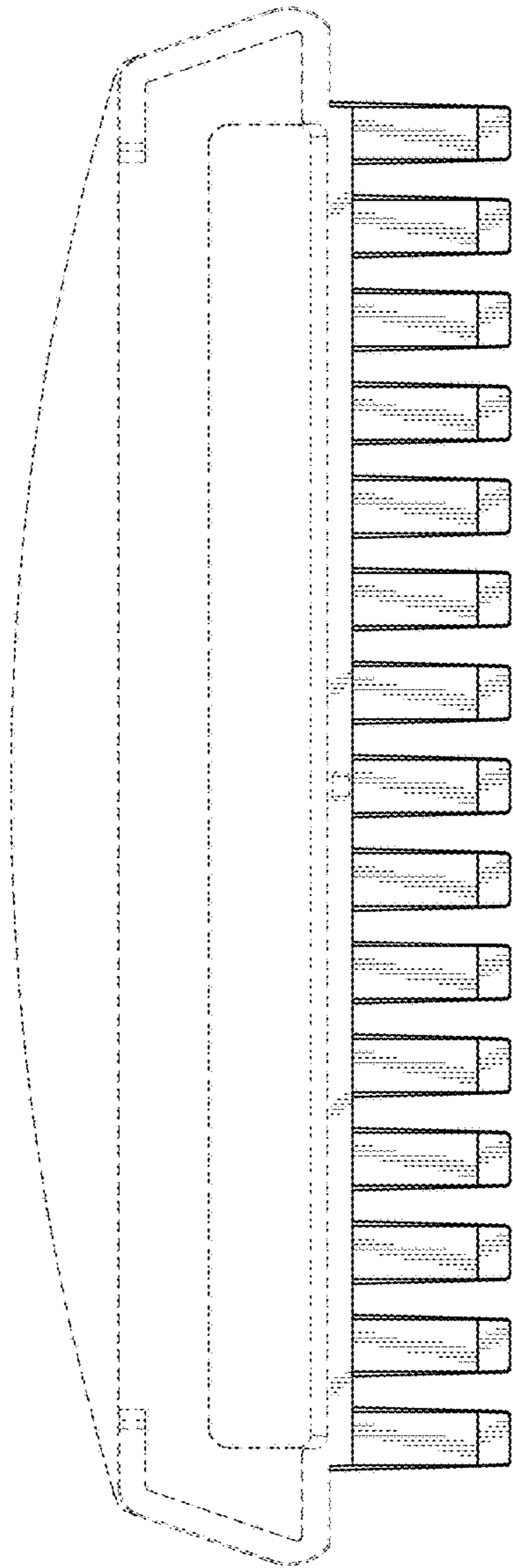


FIG. 19

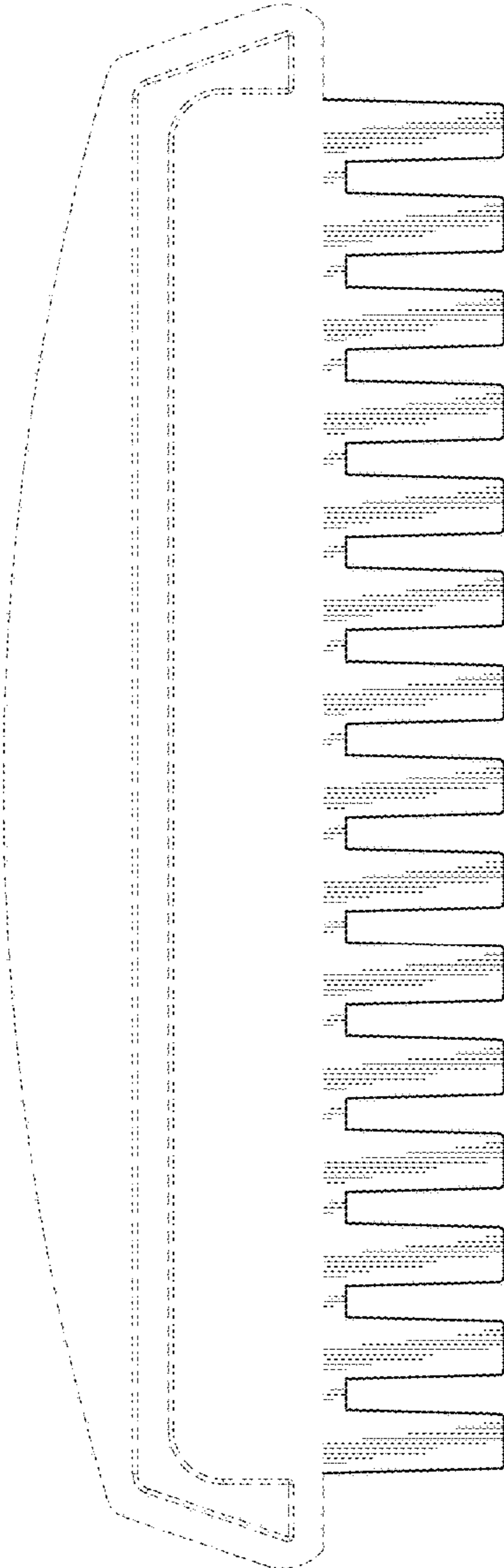


FIG. 20

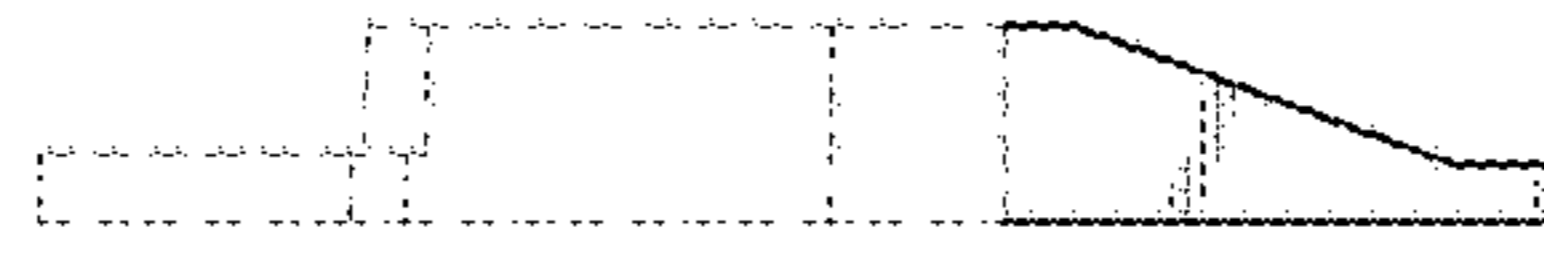


FIG. 22

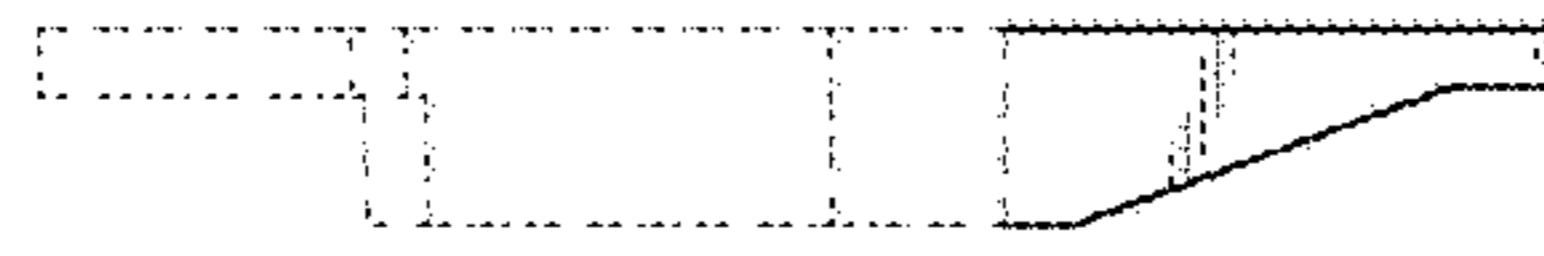


FIG. 21

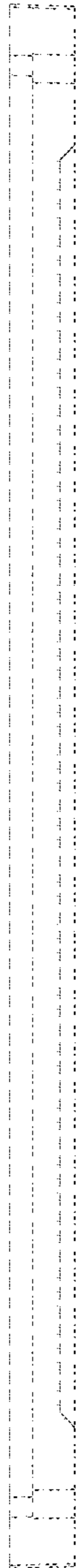


FIG. 23



FIG. 24

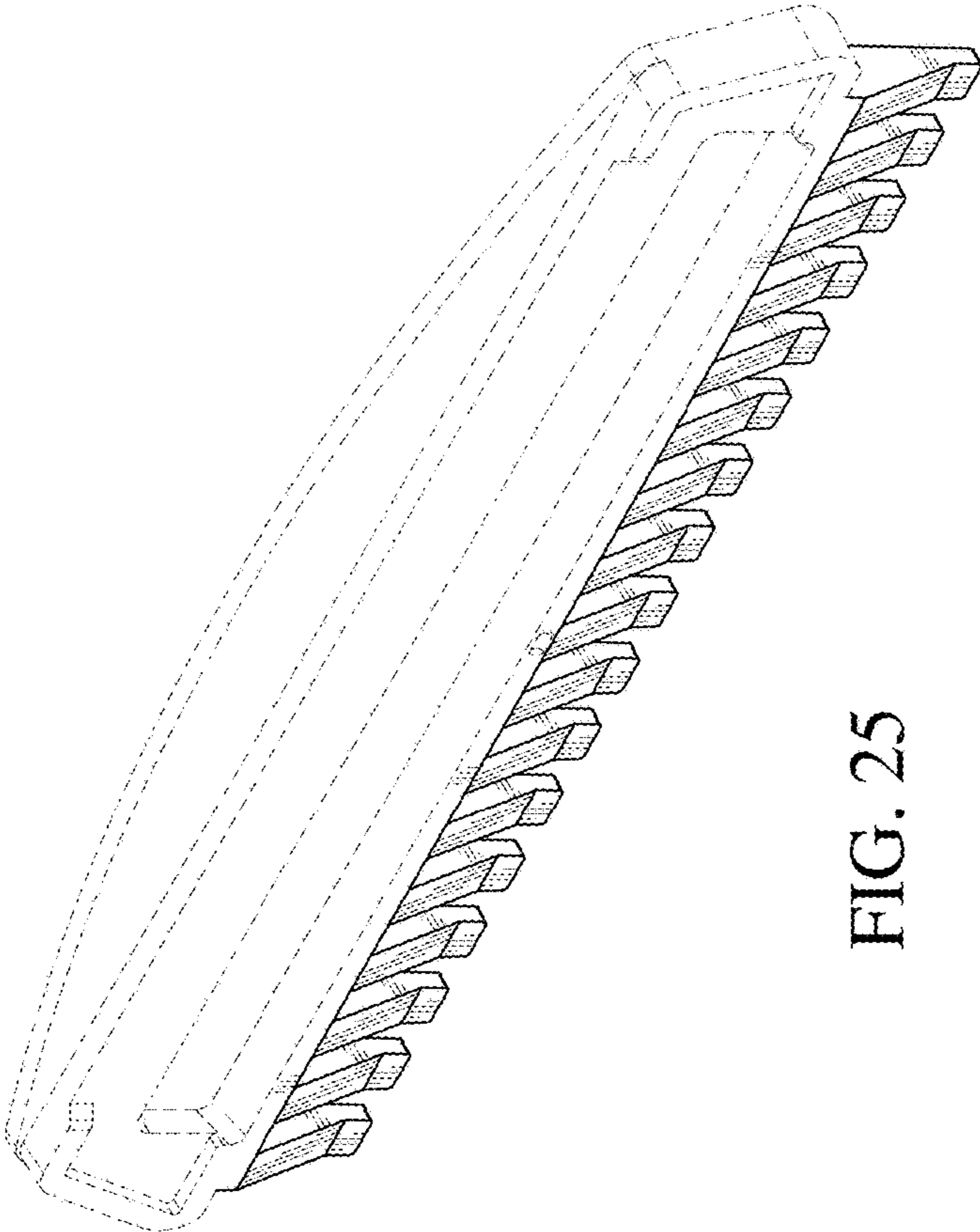


FIG. 25

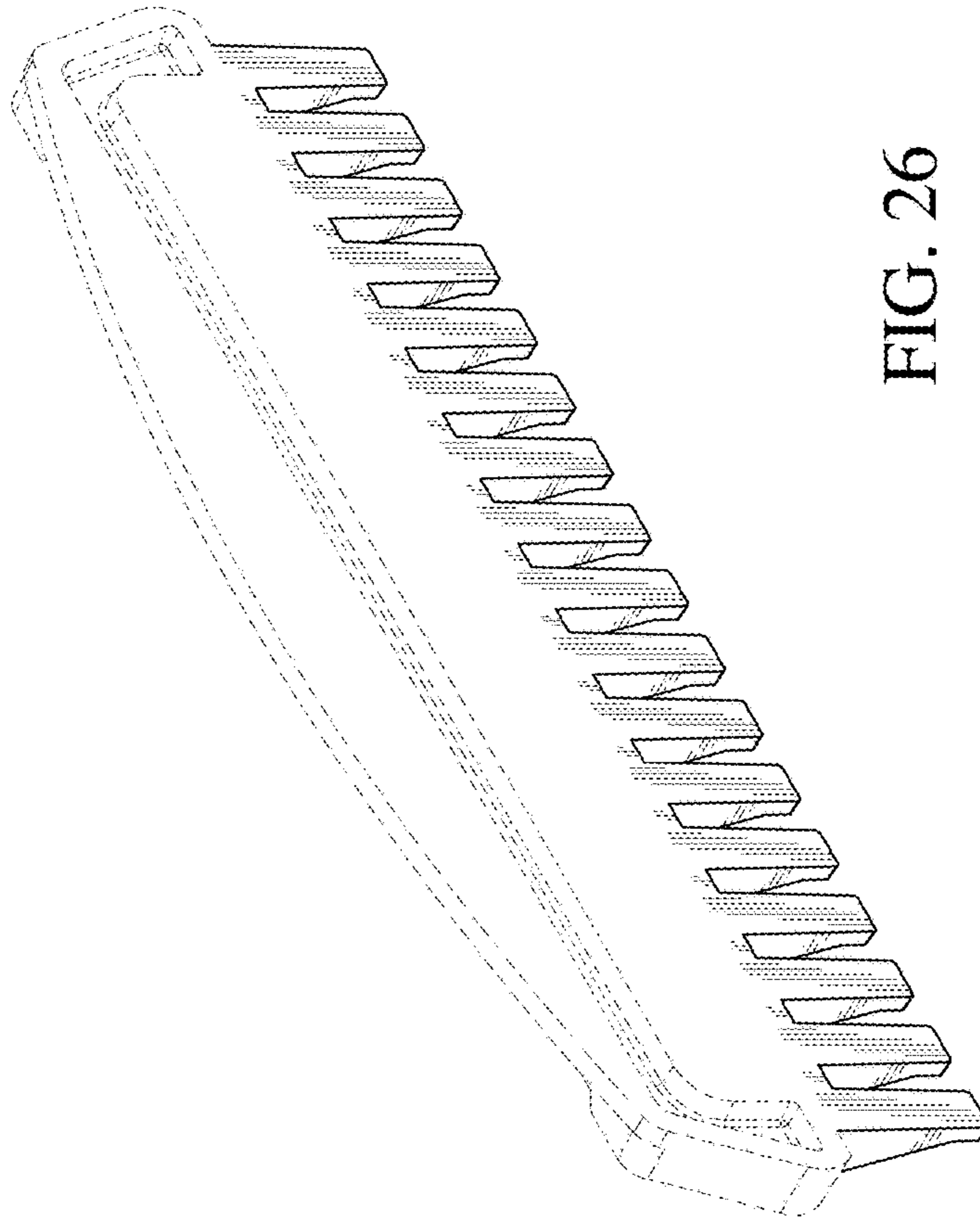


FIG. 26

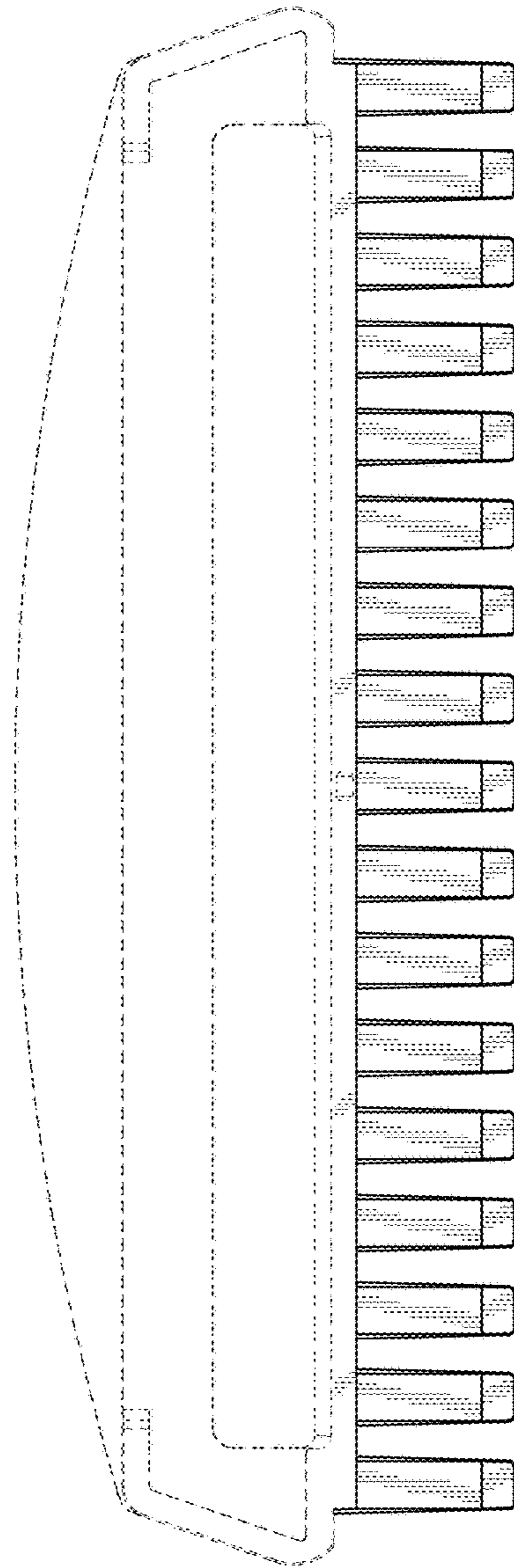


FIG. 27

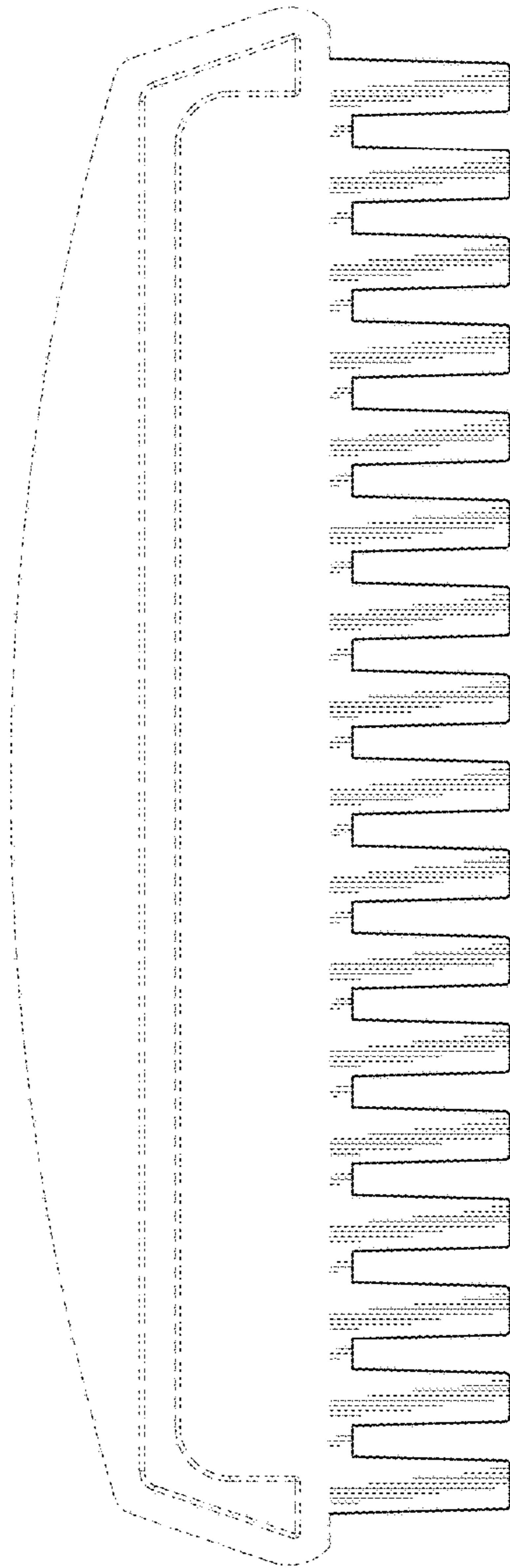


FIG. 28



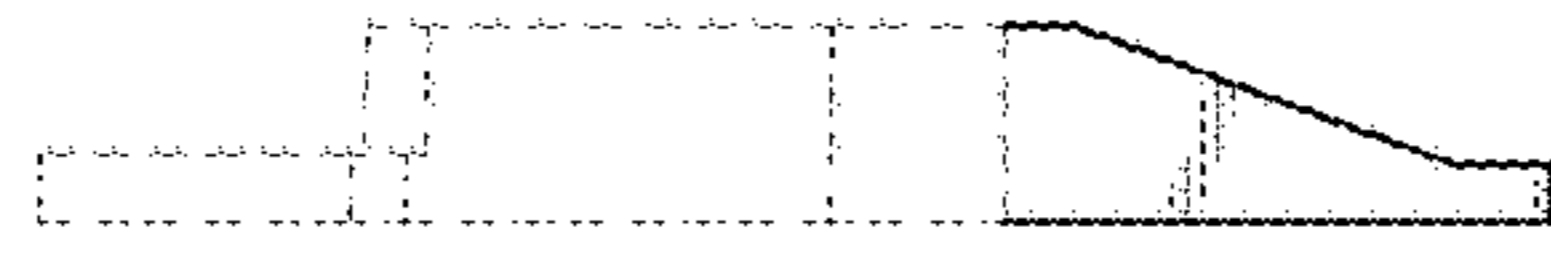


FIG. 30

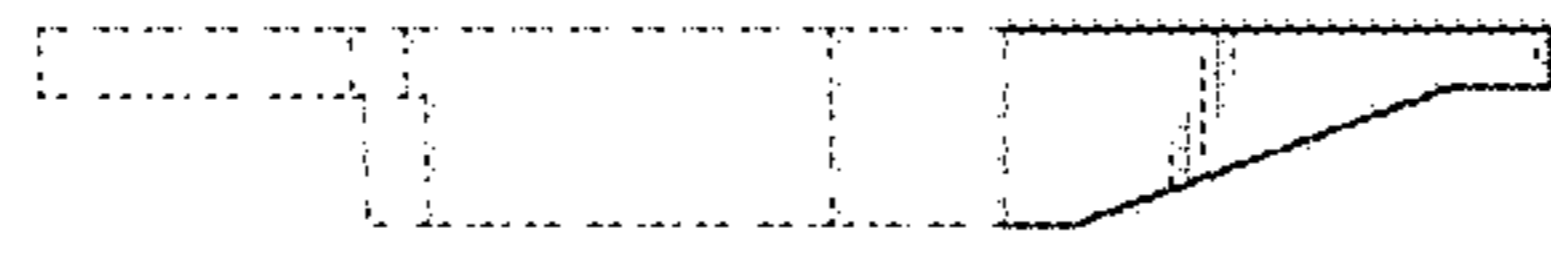


FIG. 29

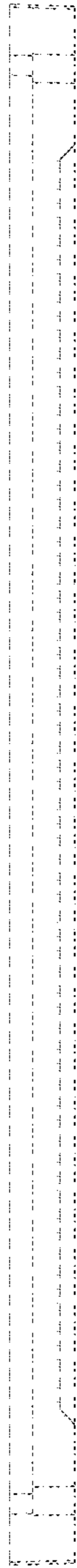


FIG. 31



FIG. 32