



US00D858790S

(12) **United States Design Patent** (10) **Patent No.:** **US D858,790 S**
Hsu (45) **Date of Patent:** **** Sep. 3, 2019**

(54) **TEST METER**
(71) Applicant: **Bonraybio Co., Ltd.**, Taichung (TW)
(72) Inventor: **Cheng-Teng Hsu**, Taichung (TW)
(73) Assignee: **BONRAYBIO CO., LTD.**, Taichung (TW)
(**) Term: **15 Years**
(21) Appl. No.: **29/598,215**

D780,137 S * 2/2017 Tallqvist D14/125
D812,663 S * 3/2018 Waters D15/199
D813,212 S * 3/2018 Nangeroni D14/240
D813,866 S * 3/2018 Elmieh D14/356
D815,070 S * 4/2018 Elmieh D14/225
D816,049 S * 4/2018 Kim D13/184
D816,224 S * 4/2018 Wang D24/165
D821,374 S * 6/2018 Jun D14/242
D821,983 S * 7/2018 Shah D13/168
D823,913 S * 7/2018 Chou D15/146
D825,551 S * 8/2018 Akana D14/314
D825,558 S * 8/2018 Peng D14/367

(Continued)

(22) Filed: **Mar. 23, 2017**
(51) **LOC (12) Cl.** **24-02**
(52) **U.S. Cl.**
USPC **D24/216**
(58) **Field of Classification Search**
USPC D9/414, 423, 432; D10/46, 47, 61, 81,
D10/100, 104.1; D14/299-302, 313, 314,
D14/902; D15/122, 125, 199; D24/107,
D24/121, 162, 163, 186, 216, 223-226,
D24/231, 232, 234
CPC A61B 5/14532; A61B 2562/0295; B01L
3/502; G06F 3/023; G01N 21/359; G01N
21/5907; G01N 33/689; G01N 2800/367;
G01N 2015/0693

See application file for complete search history.

(56) **References Cited**

U.S. PATENT DOCUMENTS

D602,019 S * 10/2009 Wang D14/356
D686,491 S * 7/2013 Kuo D9/432
D705,719 S * 5/2014 Wong D13/103
D707,226 S * 6/2014 DePaula D14/357
D723,170 S * 2/2015 Hsu A61B 5/14532
D24/169
D741,703 S * 10/2015 Janson D9/424
D747,227 S * 1/2016 Fujiwara D10/81
D748,271 S * 1/2016 Clowry D24/186
D758,366 S * 6/2016 Peng D14/363
D763,104 S * 8/2016 Akana D9/756

OTHER PUBLICATIONS

Semen Quality Analyzer, posted on bonraybio.com, no posted date given, no production date given, [online], [site visited Apr. 19, 2019], Available from Internet, URL: <http://www.bonraybio.com/en/product.php?act=view&id=8> (Year: 2019).*

Primary Examiner — Garth Rademaker
Assistant Examiner — Fritzgerald L Butac
(74) Attorney, Agent, or Firm — DLA Piper LLP (US)

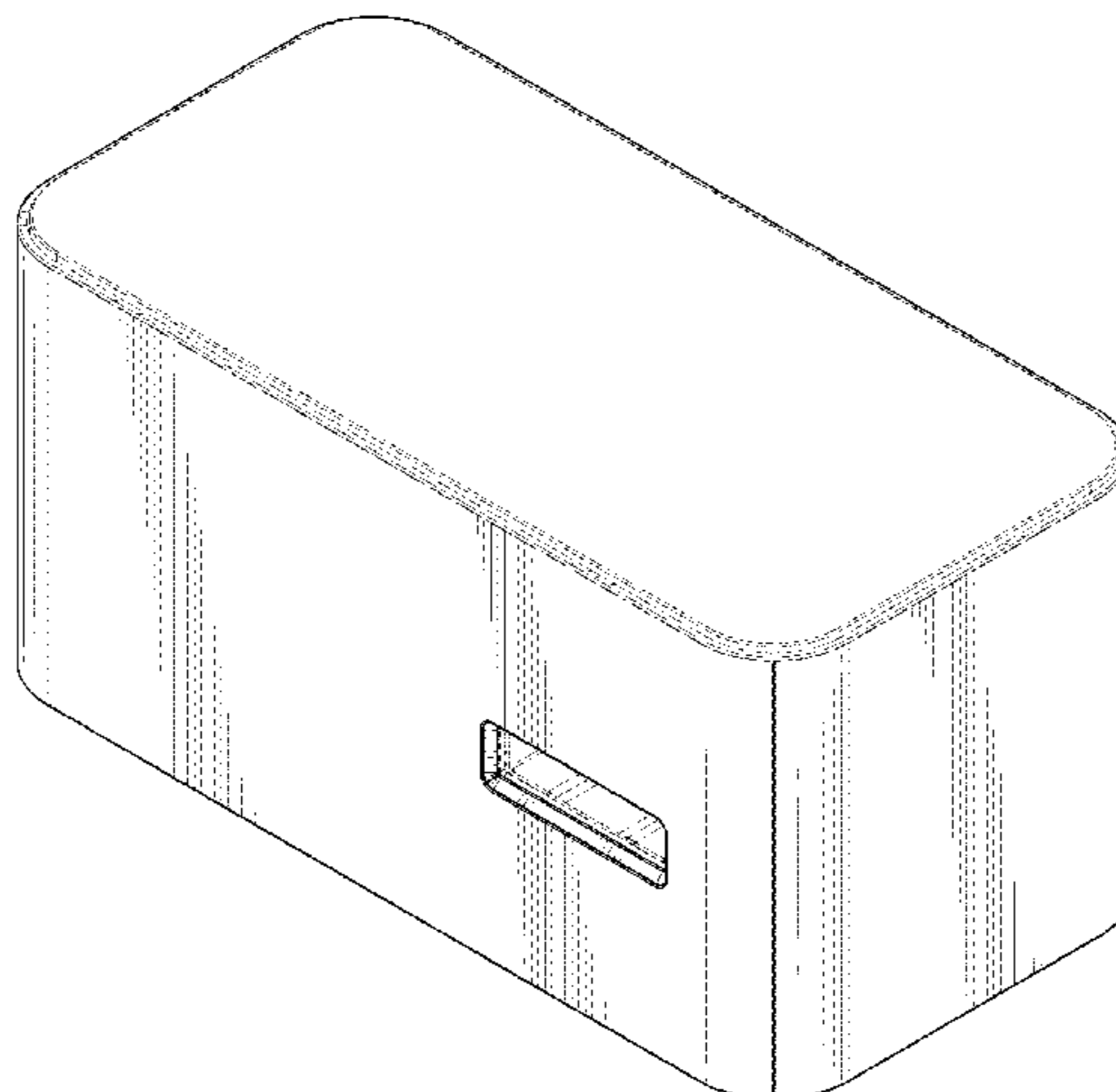
(57) **CLAIM**

The ornamental design for a test meter, as shown and described.

DESCRIPTION

FIG. 1 is a perspective view of a test meter showing my new design;
FIG. 2 is a front elevational view thereof;
FIG. 3 is a rear elevational view thereof;
FIG. 4 is a left side elevational view thereof;
FIG. 5 is a right side elevational view thereof;
FIG. 6 is a top plan view thereof; and,
FIG. 7 is a bottom plan view thereof.
The broken lines show portions of a test meter that form no part of the claimed design.

1 Claim, 7 Drawing Sheets



(56)

References Cited

U.S. PATENT DOCUMENTS

D825,923	S	*	8/2018	Suomela	D3/304
D830,868	S	*	10/2018	Kress	D10/87
D831,479	S	*	10/2018	Lylyk	D9/432
D831,612	S	*	10/2018	Usuru	D14/214
D832,242	S	*	10/2018	Kwak	D14/240
D834,979	S	*	12/2018	Zhang	D10/106.95
D837,211	S	*	1/2019	Peng	D14/365
D838,371	S	*	1/2019	Zhuang	D24/167
D843,007	S	*	3/2019	Schulz	D24/216
D844,578	S	*	4/2019	Sefic	D14/125
2014/0213935	A1	*	7/2014	Hsu	A61M 5/003 600/583

* cited by examiner

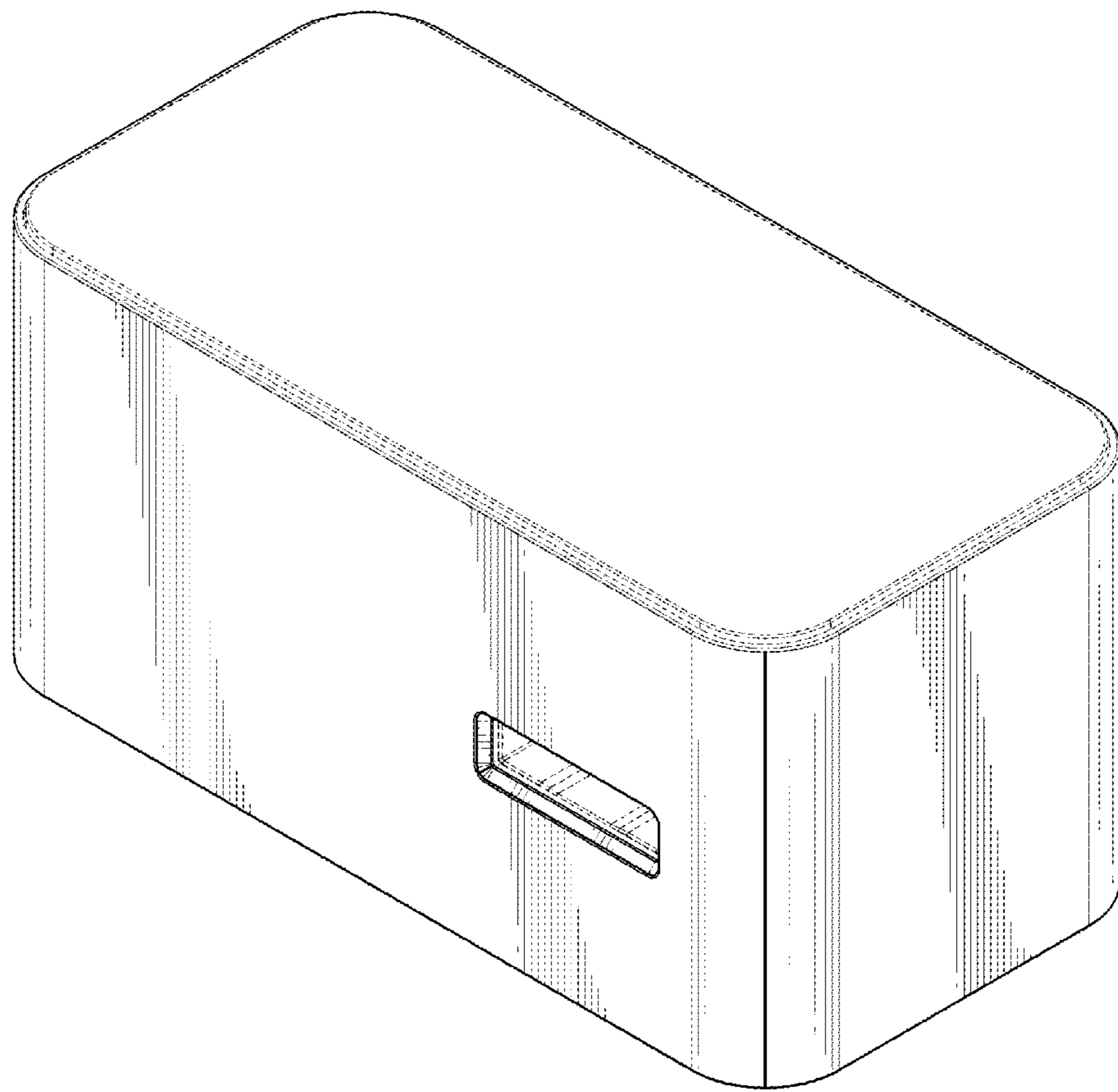


FIG.1

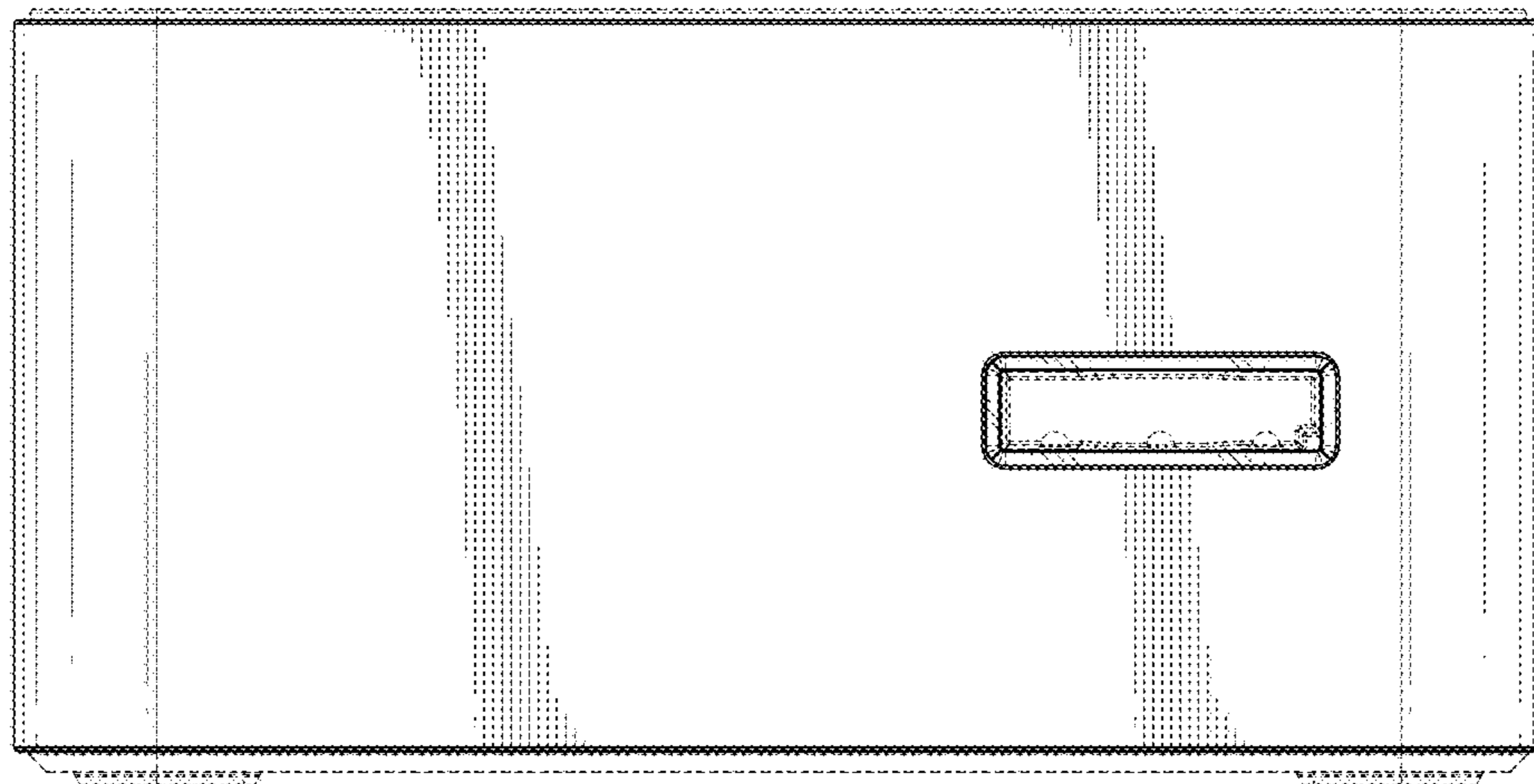


FIG.2

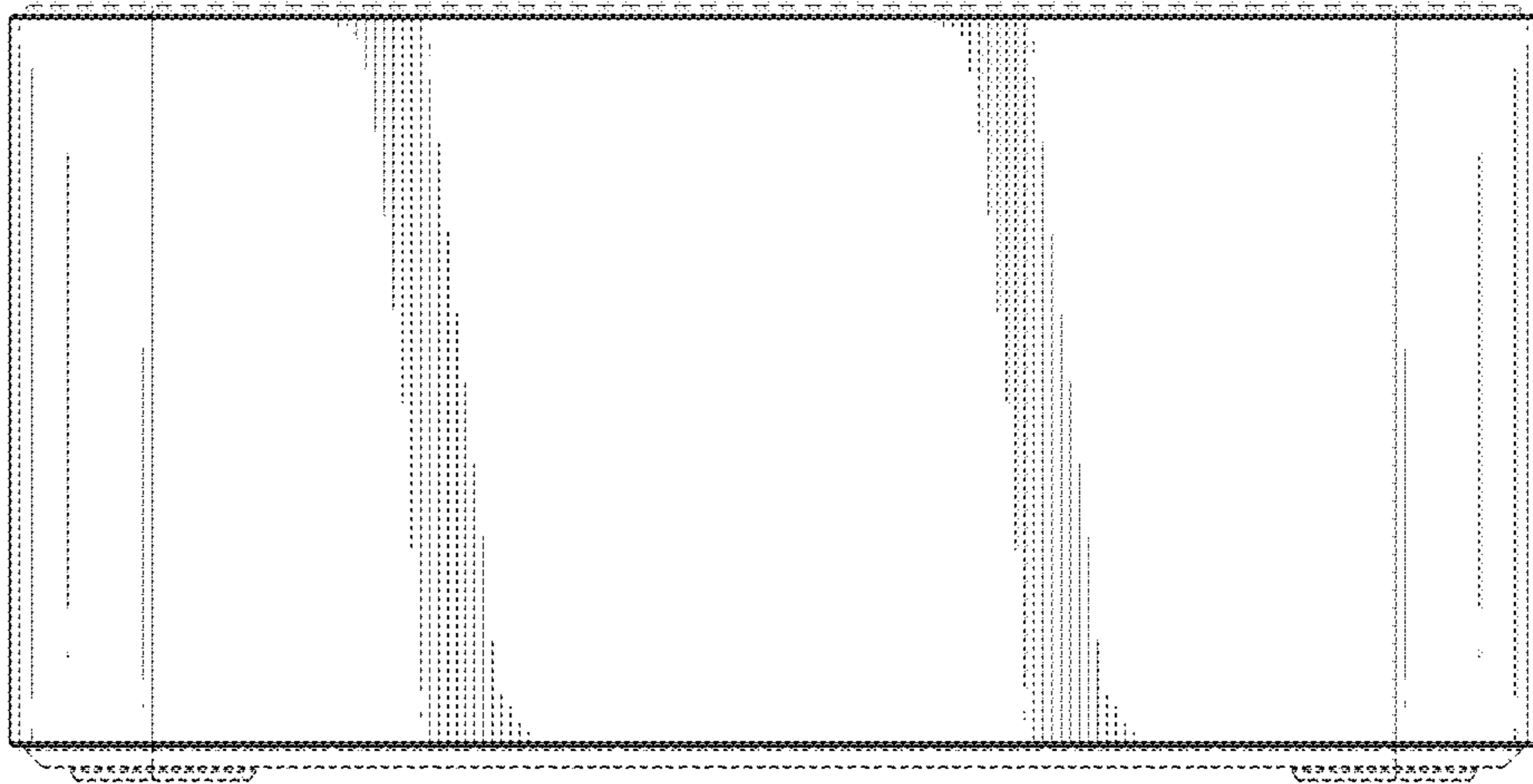


FIG. 3

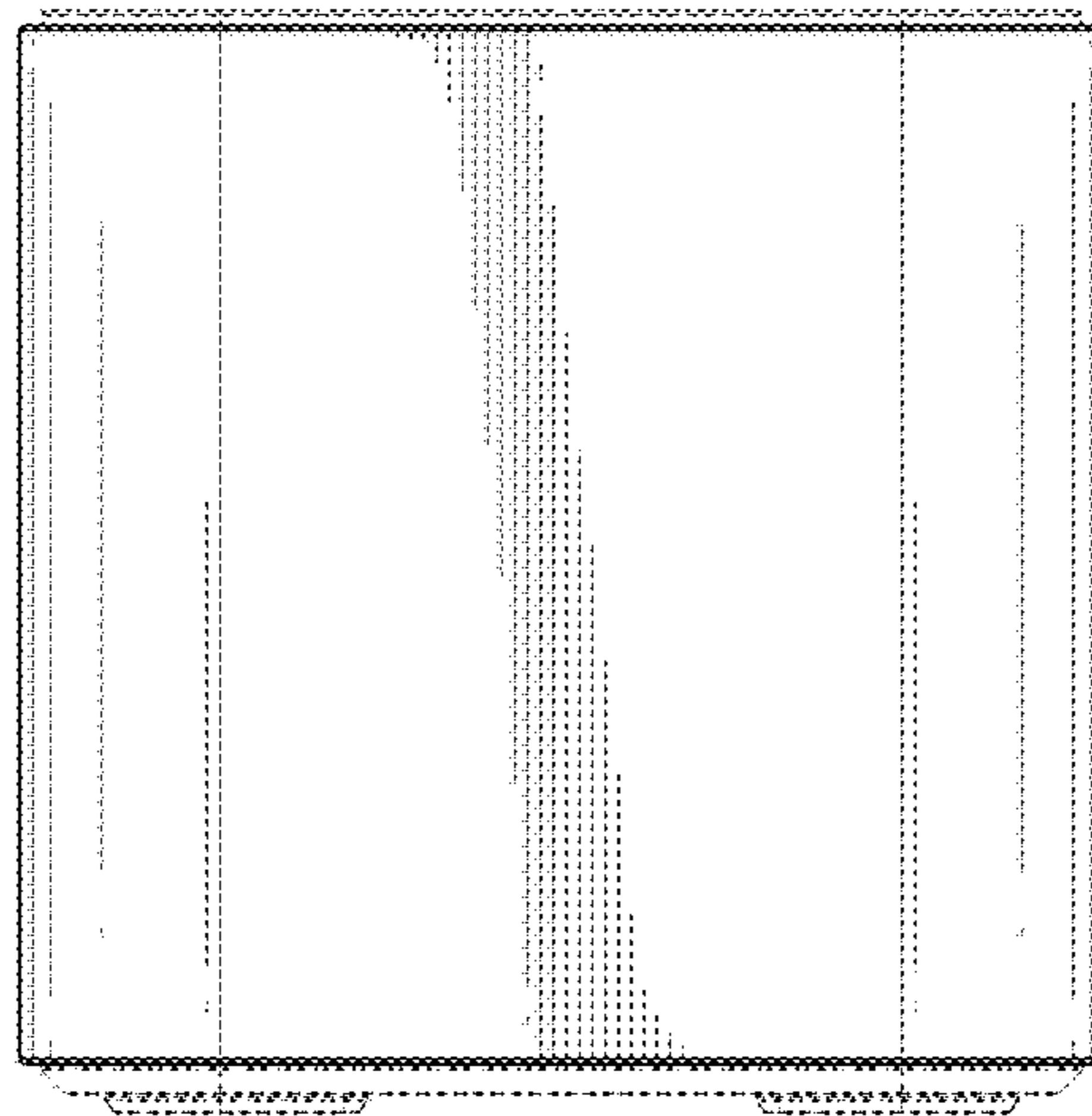


FIG.4

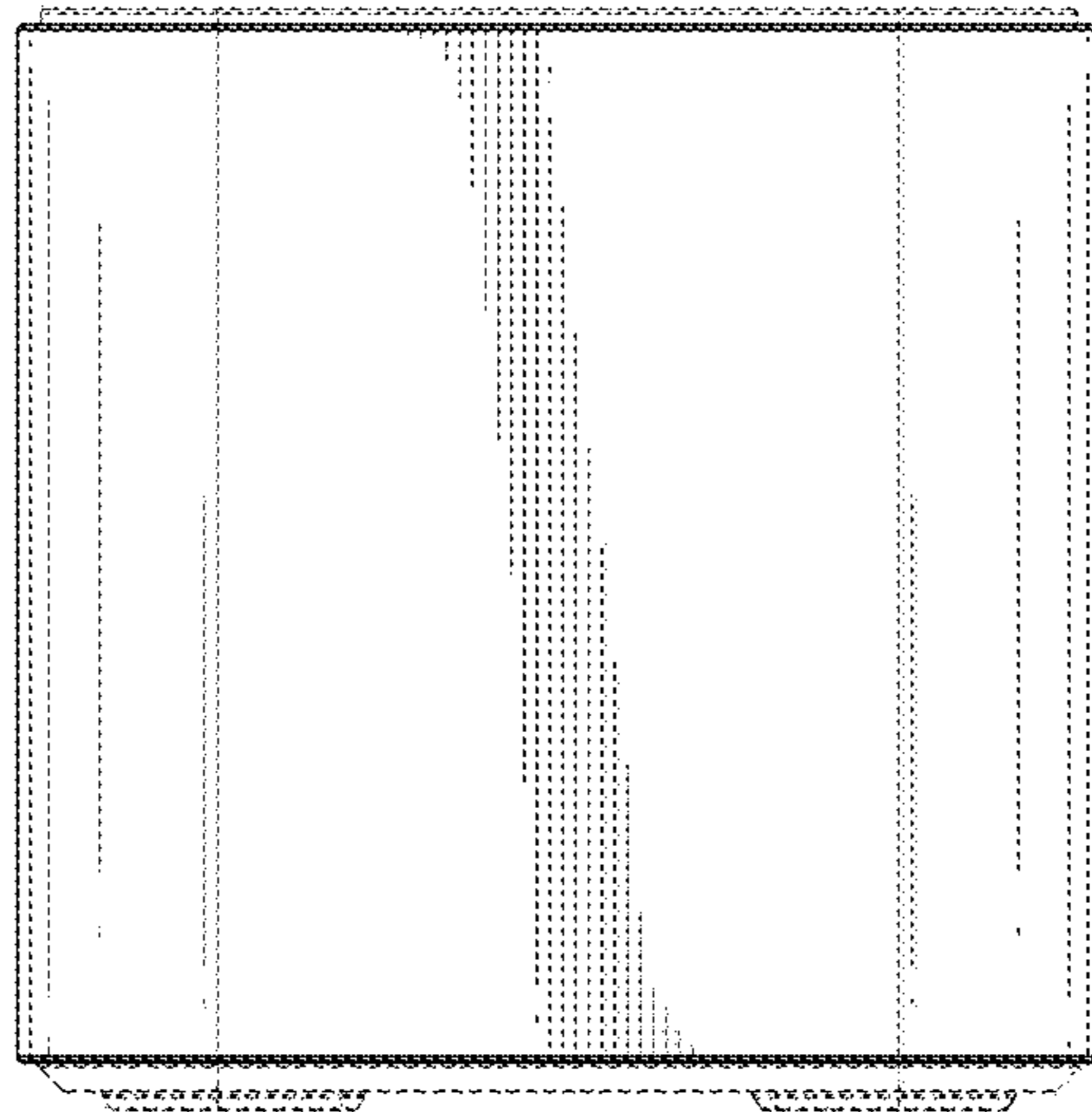


FIG.5

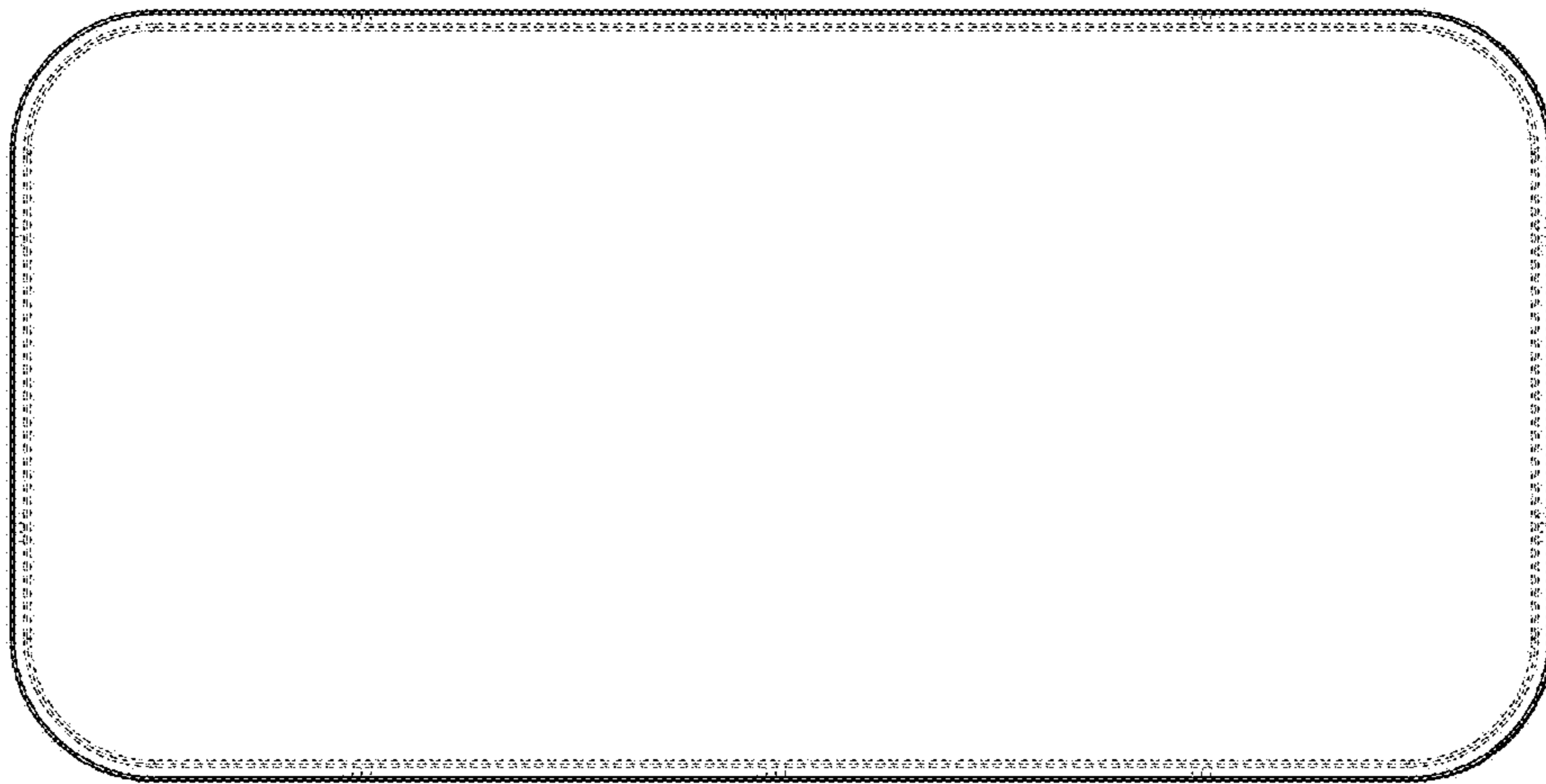


FIG.6



FIG. 7