



US00D858784S

(12) **United States Design Patent**  
**Moeller et al.**

(10) **Patent No.:** **US D858,784 S**  
(45) **Date of Patent:** **\*\* Sep. 3, 2019**

(54) **THERMAL PAD**

(71) Applicant: **Waters Technologies Corporation,**  
Milford, MA (US)

(72) Inventors: **Mark W. Moeller,** Norton, MA (US);  
**Zongren Shang,** Westborough, MA  
(US); **Edwin H. Denecke,** North  
Attleboro, MA (US); **Roy J.**  
**MacKinnon,** Shrewsbury, MA (US)

(73) Assignee: **WATERS TECHNOLOGIES**  
**CORPORATION,** Milford, MA (US)

(\*\*) Term: **15 Years**

(21) Appl. No.: **29/642,448**

(22) Filed: **Mar. 29, 2018**

(51) **LOC (12) Cl.** ..... **24-04**

(52) **U.S. Cl.**  
USPC ..... **D24/206**

(58) **Field of Classification Search**  
USPC ..... D24/206–208, 188–190, 232, 216, 225;  
602/2, 48; 604/385.01, 85.06; D20/22,  
D20/27

CPC .... A61F 7/007; A61F 7/02; A61F 7/03; A61F  
7/034; C09J 7/24; C09J 7/35

See application file for complete search history.

(56) **References Cited**

**U.S. PATENT DOCUMENTS**

6,841,716 B1 \* 1/2005 Tsutsumi ..... A61K 9/703  
602/42  
6,927,315 B1 \* 8/2005 Heinecke ..... A61F 13/0223  
602/41

8,956,534 B2 2/2015 Ognibene et al.  
D733,311 S \* 6/2015 Takanishi ..... D24/206  
D757,280 S \* 5/2016 Ogaki ..... D24/206  
D773,681 S \* 12/2016 Elam ..... D24/206  
2011/0034887 A1 \* 2/2011 Forden ..... A61F 7/02  
604/291  
2015/0150716 A1 \* 6/2015 Whitely ..... A61F 7/02  
607/104  
2015/0260694 A1 9/2015 Matsuoka et al.

**OTHER PUBLICATIONS**

International Search Report and Written Opinion for application No.  
PCT/US2019/024228 dated Jun. 17, 2019.  
Sil-Pad(R) Design Guide 2000-2001, The Bergquist Company,  
Minneapolis, MN.

\* cited by examiner

*Primary Examiner* — Wan Laymon

(74) *Attorney, Agent, or Firm* — Schmesier, Olsen &  
Watts LLP; Jason A. Murphy

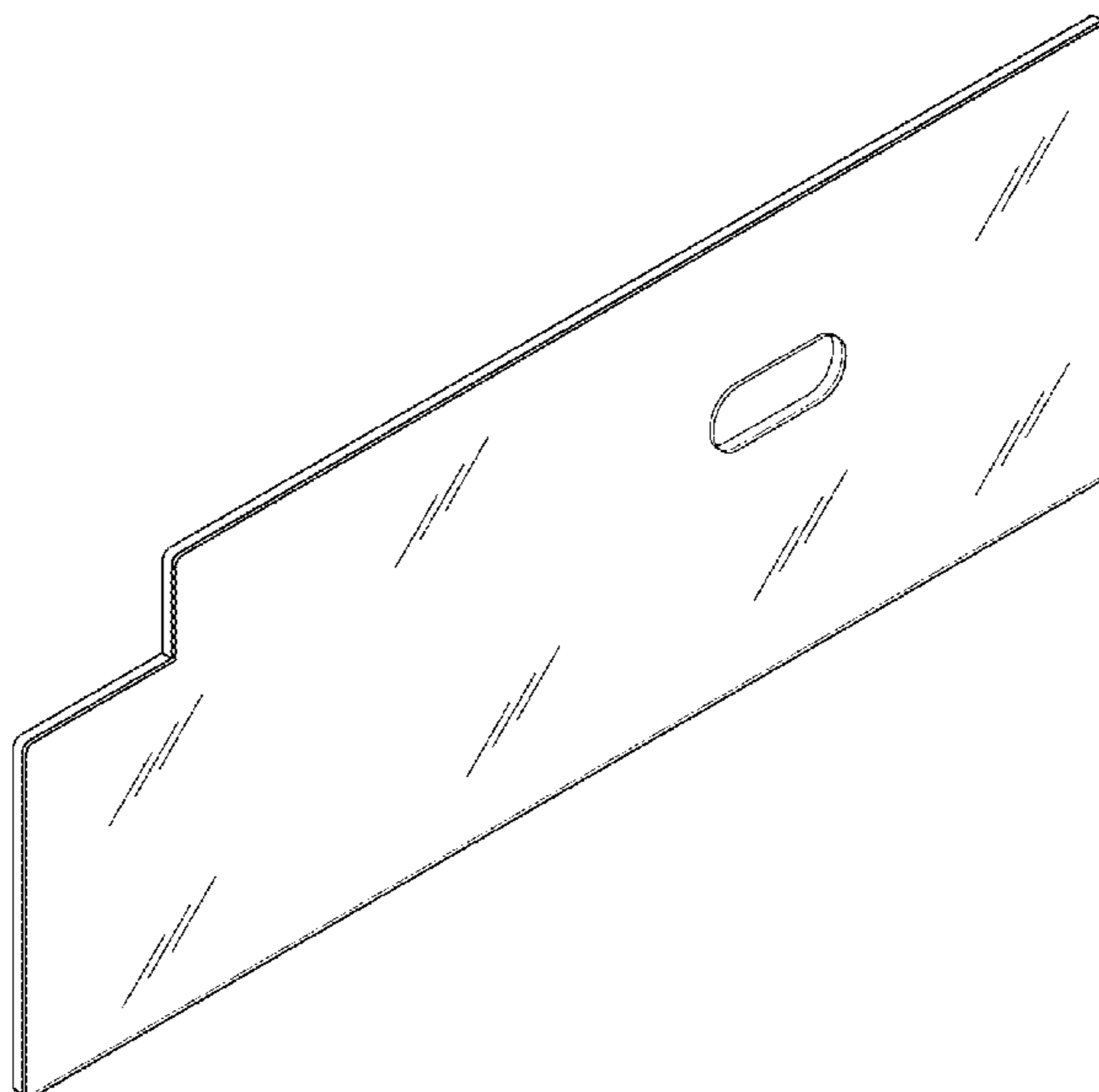
(57) **CLAIM**

The ornamental design for a thermal pad, as shown and  
described.

**DESCRIPTION**

FIG. 1 is a front view of a thermal pad showing our new  
design;  
FIG. 2 is a rear view thereof;  
FIG. 3 is a right side view thereof;  
FIG. 4 is a left side view thereof;  
FIG. 5 is a top view thereof;  
FIG. 6 is a bottom view thereof; and,  
FIG. 7 is a rear, perspective view thereof.

**1 Claim, 5 Drawing Sheets**



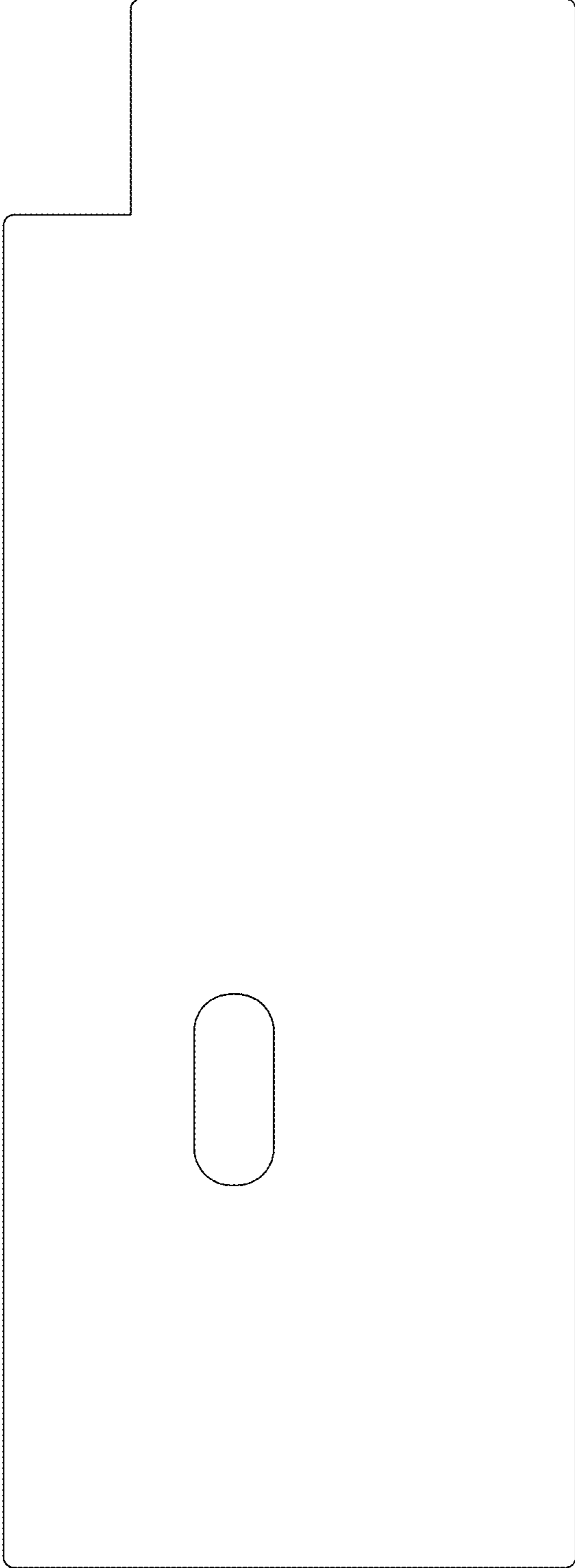


FIG. 1

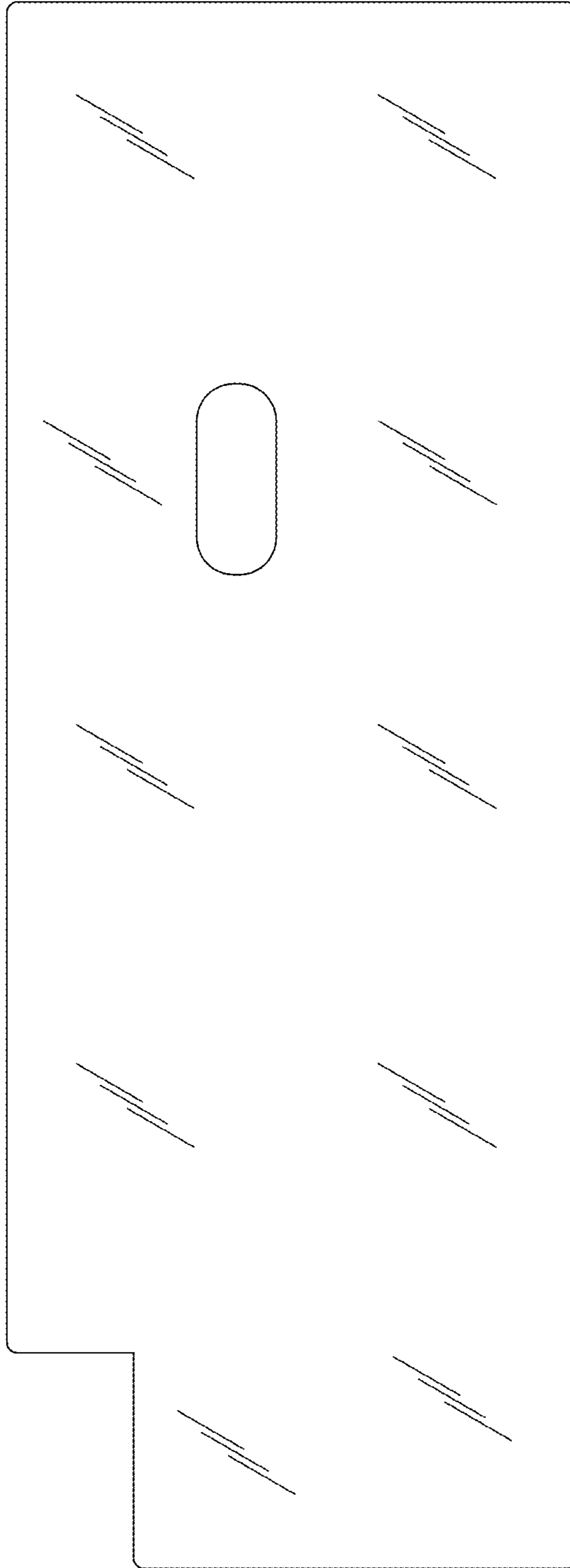


FIG. 2

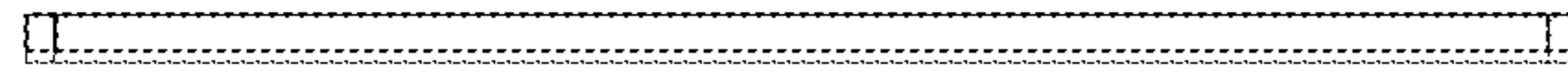


FIG. 4

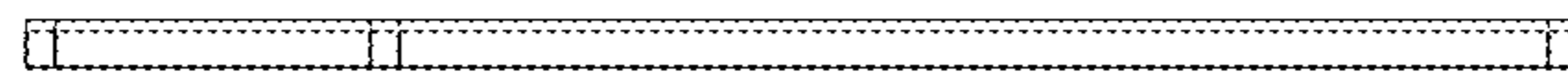


FIG. 3

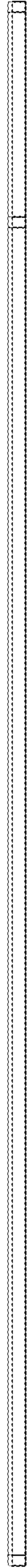


FIG. 5

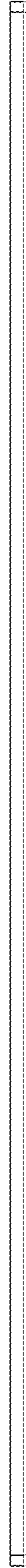


FIG. 6

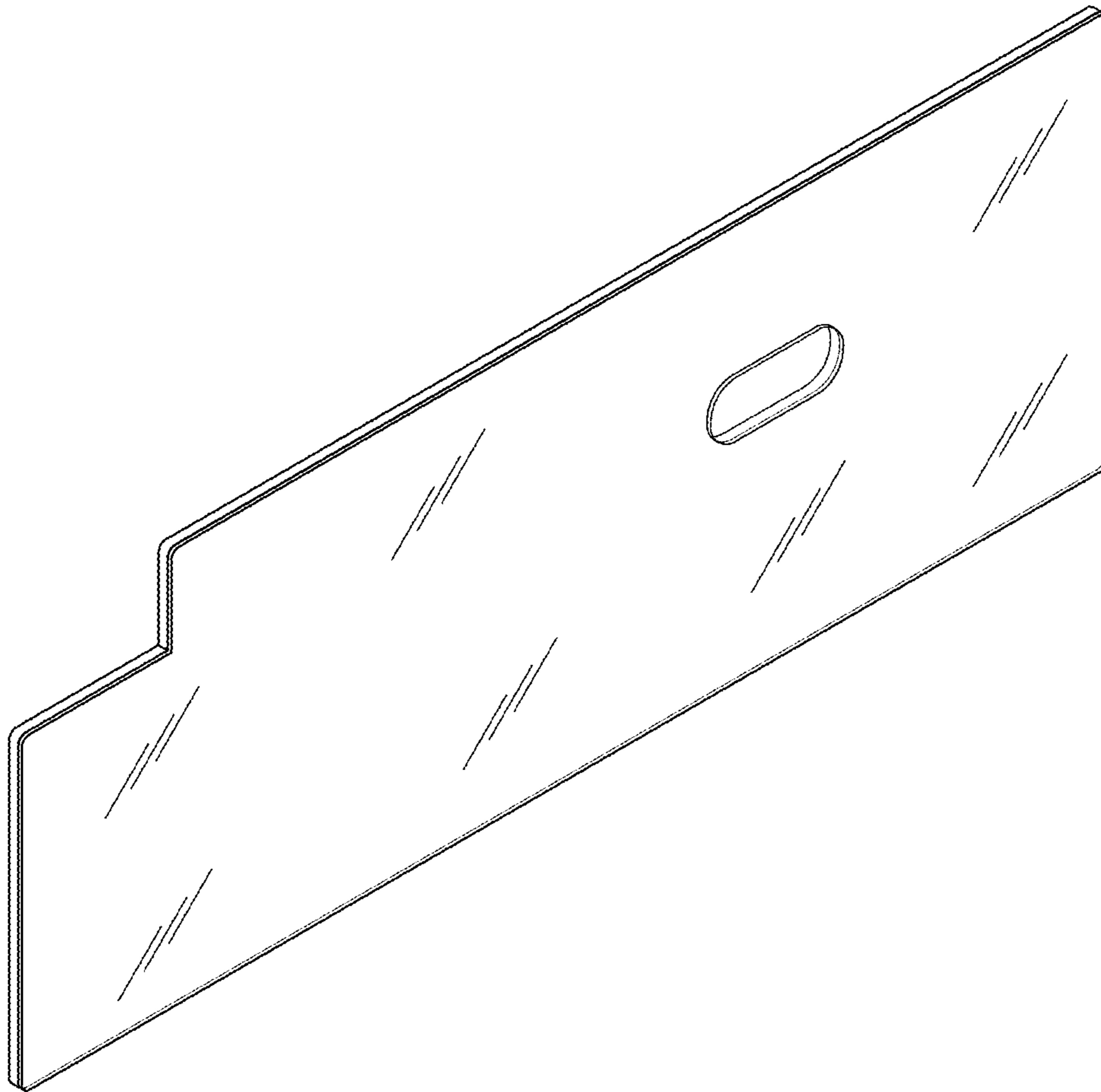


FIG. 7