



US00D858783S

(12) **United States Design Patent** (10) **Patent No.:** **US D858,783 S**  
**Ci** (45) **Date of Patent:** **\*\* Sep. 3, 2019**

(54) <b>MERIDIAN FUNCTION NURSING TABLE</b>	5,294,180 A * 3/1994 Grimm ..... A47C 16/025 297/344.12
(71) Applicant: <b>Yanhuang Dongfang (Beijing)</b> <b>Healthcare Technology Co., Ltd.,</b> Beijing (CN)	D348,784 S * 7/1994 Hassel ..... D6/349 D350,450 S * 9/1994 Hassel ..... D6/349 D351,027 S * 9/1994 Chen ..... D24/200 5,348,377 A * 9/1994 Grosch ..... A47C 16/025 108/8
(72) Inventor: <b>Zhonghua Ci, Beijing (CN)</b>	5,544,941 A * 8/1996 Campbell ..... A47C 16/025 297/423.45
(73) Assignee: <b>Zhonghua Ci, Beijing (CN)</b>	5,577,806 A * 11/1996 Ugalde ..... A47C 16/025 108/5
(**) Term: <b>15 Years</b>	D382,125 S * 8/1997 Chuang ..... D6/349 D386,584 S * 11/1997 Frei ..... D24/183
(21) Appl. No.: <b>29/609,393</b>	D389,327 S * 1/1998 King ..... D24/212 D390,020 S * 2/1998 Huang ..... D24/212 D410,796 S * 6/1999 Sabo ..... D6/349
(22) Filed: <b>Jun. 30, 2017</b>	6,089,667 A * 7/2000 Hobbs ..... A47C 16/04 108/150

(30) **Foreign Application Priority Data**

Jun. 6, 2017 (CN) ..... 2017 3 0226853

(51) **LOC (12) Cl.** ..... **28-03**

(52) **U.S. Cl.**  
USPC ..... **D24/200**

(58) **Field of Classification Search**  
USPC ..... D24/183-185, 199, 200, 212, 213;  
D6/349-350, 353, 382-385; 297/423.44,  
297/423.45; 128/898; 5/652, 655  
CPC ..... A47D 13/00; A47D 13/08; A47D 13/083;  
A47K 17/00; A47K 17/02; A47K 17/028;  
A47C 16/00; A47C 16/02; A47C 16/025;  
A47B 3/00; A47B 3/10; A47B 3/14;  
A47B 23/00; A47B 23/001; A47B  
23/042; A47B 5/00; A47B 5/04; A47B  
5/06  
See application file for complete search history.

(56) **References Cited**

**U.S. PATENT DOCUMENTS**

D263,423 S *	3/1982	Aslanian	.....	128/877
4,429,687 A *	2/1984	Friedson	.....	A61H 35/006 601/15
D313,521 S *	1/1991	Hassel	.....	D6/349

(Continued)

*Primary Examiner* — Wan Laymon

*Assistant Examiner* — Clint A Samuel

(74) *Attorney, Agent, or Firm* — Gokalp Bayramoglu

(57) **CLAIM**

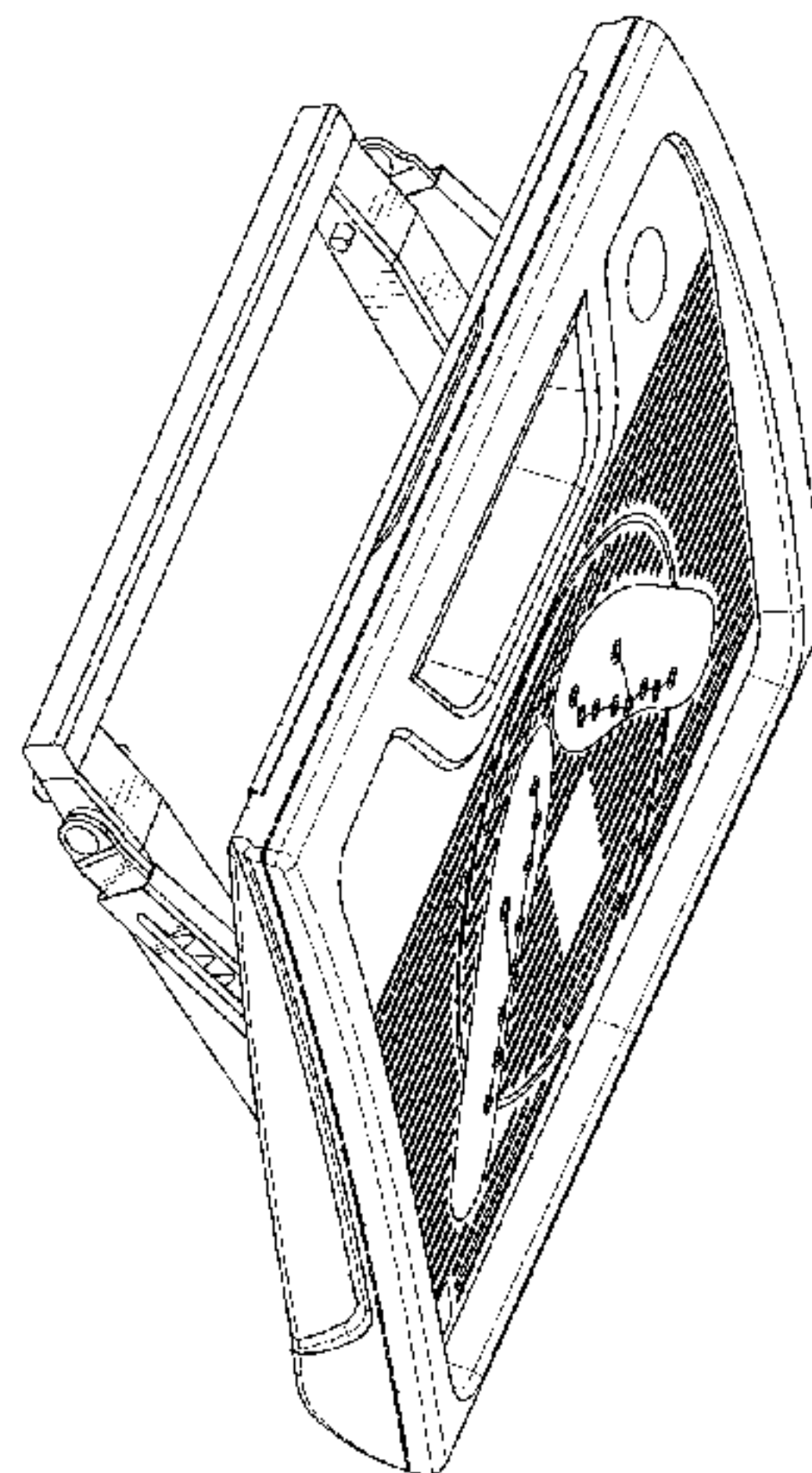
The ornamental design for a meridian function nursing table, as shown and described.

**DESCRIPTION**

FIG. 1 is a use status reference view of a meridian function nursing table showing my new design; FIG. 2 is a perspective view thereof; FIG. 3 is a front view thereof; FIG. 4 is a rear view thereof; FIG. 5 is a left side view thereof; FIG. 6 is a right side view thereof; FIG. 7 is a top view thereof; and, FIG. 8 is a bottom view thereof.

The broken lines depict portions of a meridian function nursing table in which the design is embodied that form no part of the claimed design.

**1 Claim, 6 Drawing Sheets**



(56)

**References Cited**

U.S. PATENT DOCUMENTS

6,112,748 A \* 9/2000 Esdale ..... A47D 13/083  
128/898  
D496,468 S \* 9/2004 Park ..... D24/213  
D523,560 S \* 6/2006 Tsai ..... D24/212  
D542,927 S \* 5/2007 Harris ..... D24/212  
D630,336 S \* 1/2011 Park ..... D24/213  
8,267,477 B1 \* 9/2012 Appiah Finn ..... A47C 16/025  
108/115  
8,322,791 B2 \* 12/2012 Port ..... A47C 16/025  
297/423.39  
9,326,598 B1 \* 5/2016 West ..... A47B 3/02  
9,554,644 B2 \* 1/2017 Flaherty ..... A47B 9/18  
D834,341 S \* 11/2018 Naik ..... D6/353  
2015/0101125 A1 \* 4/2015 Fang ..... A47D 13/083  
5/655  
2016/0135611 A1 \* 5/2016 Williams ..... A47D 13/083  
5/655  
2016/0374482 A1 \* 12/2016 Rodman ..... A47D 13/083  
5/655

\* cited by examiner

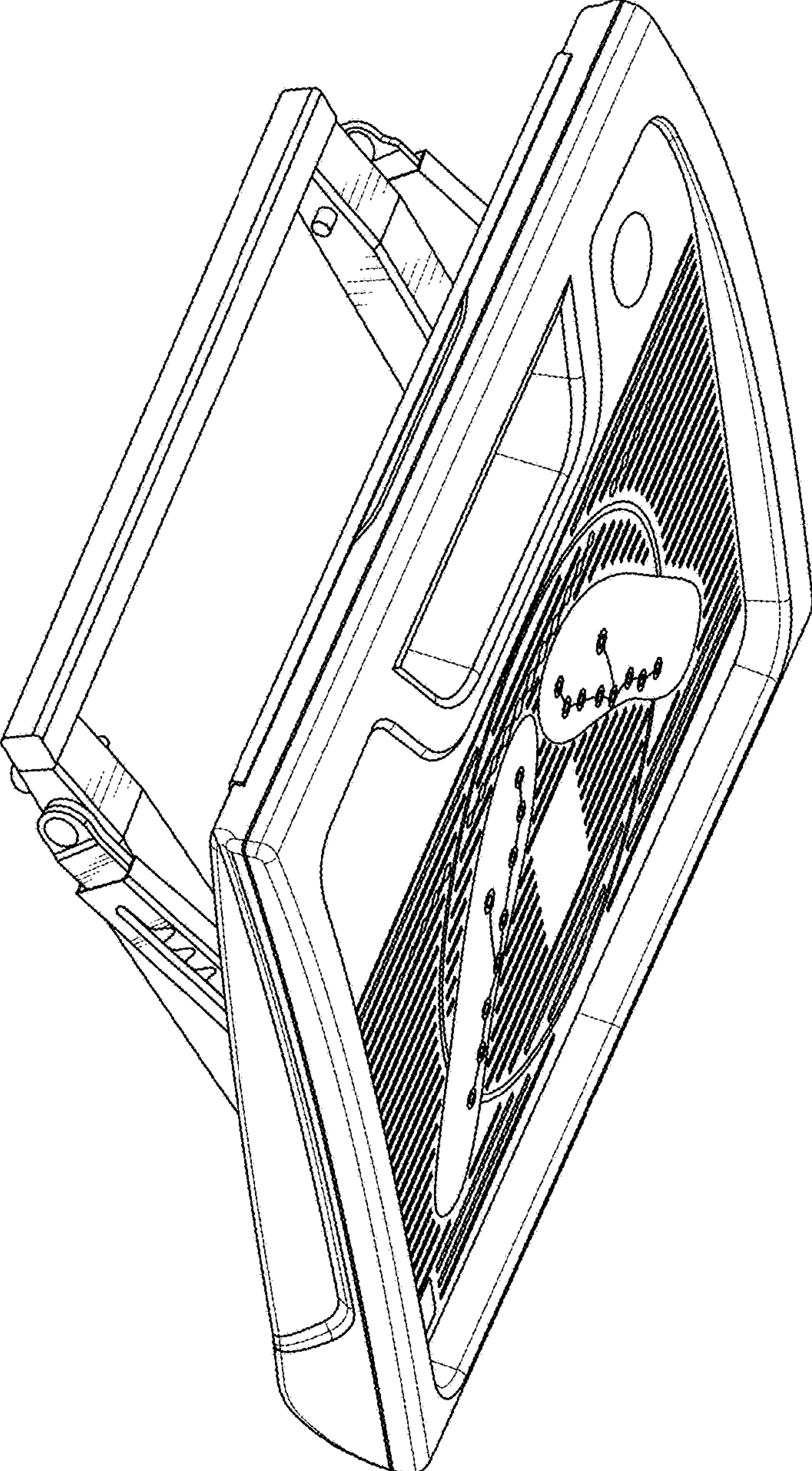


FIG. 1



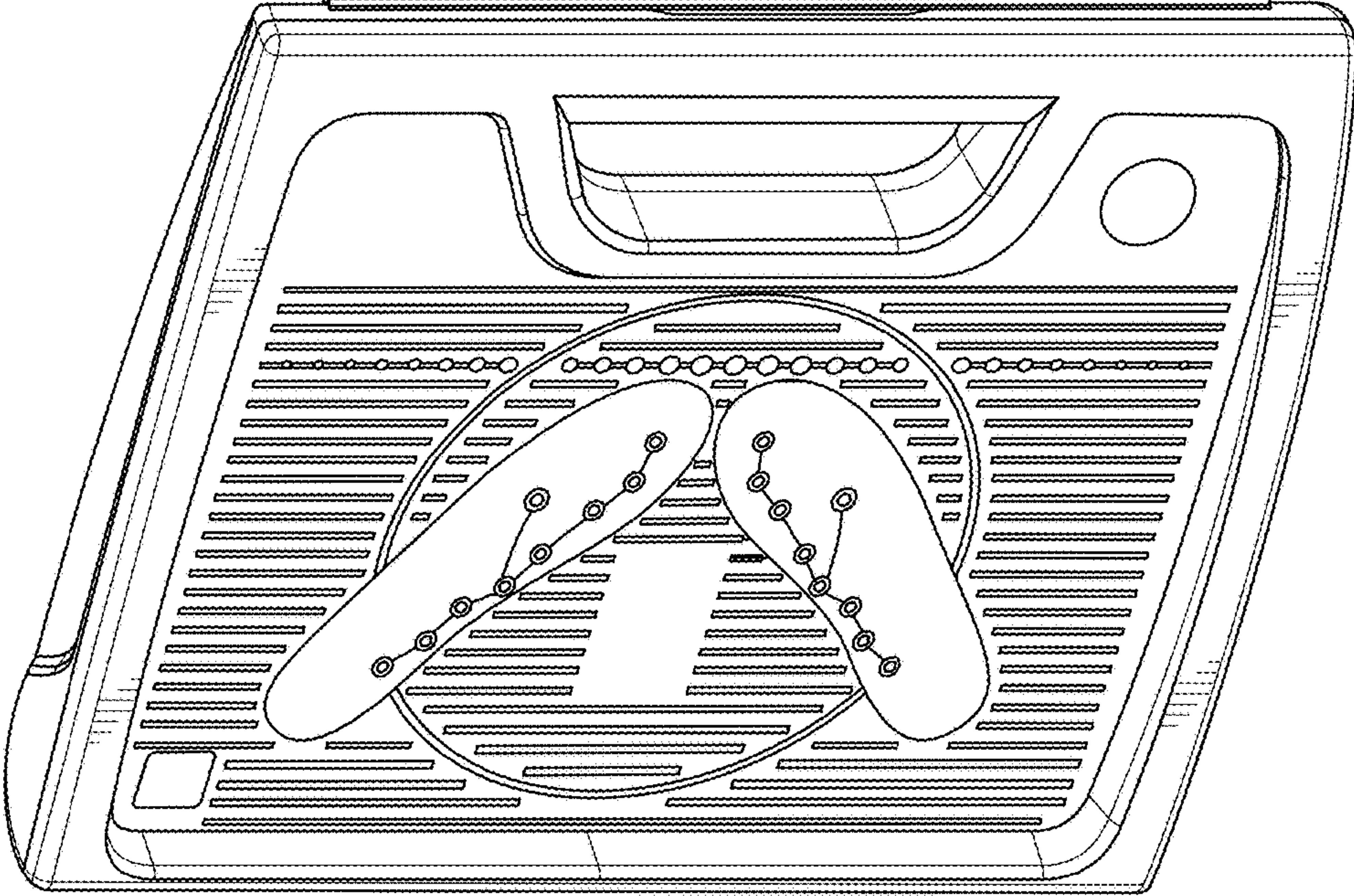


FIG. 2

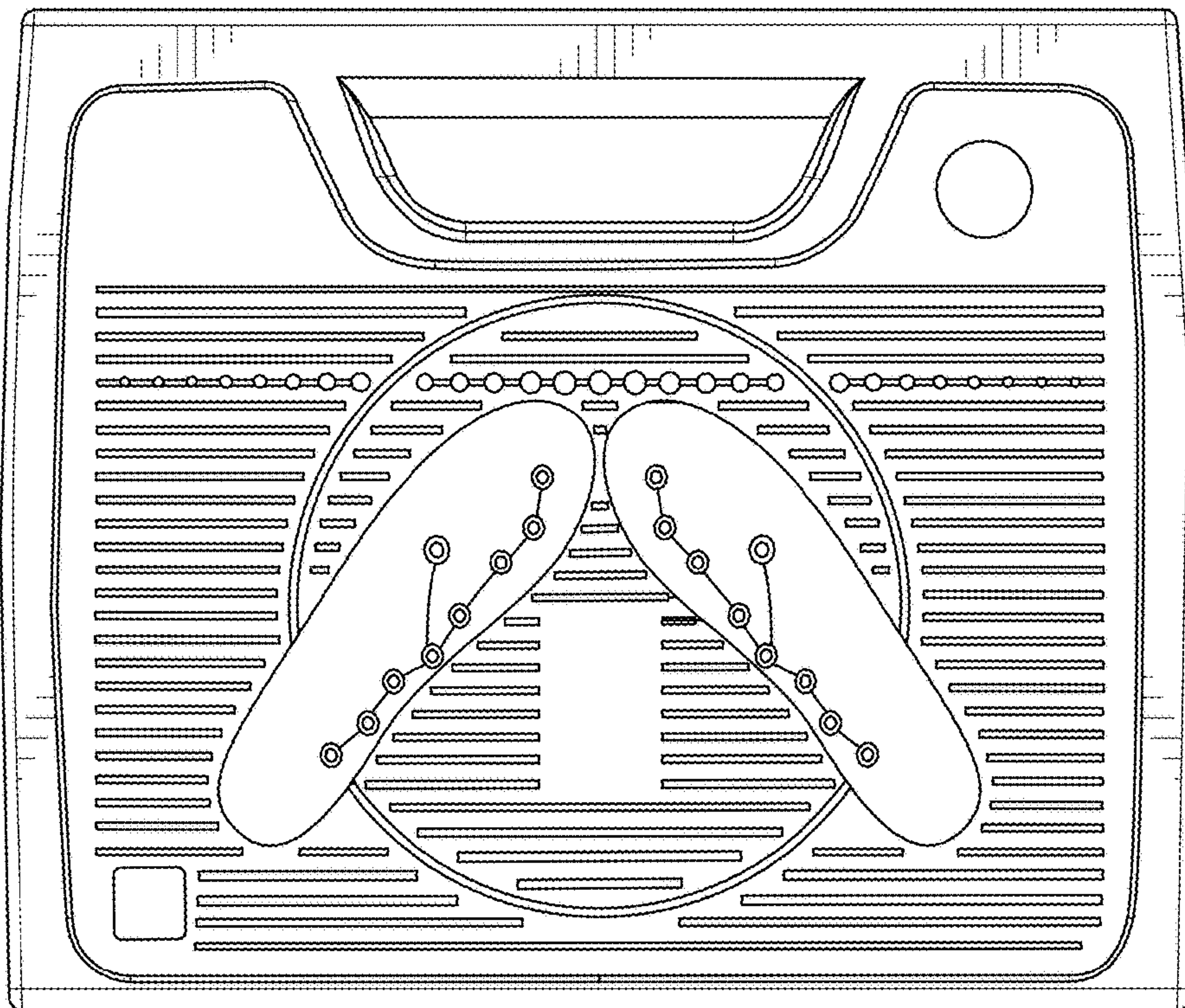


FIG. 3

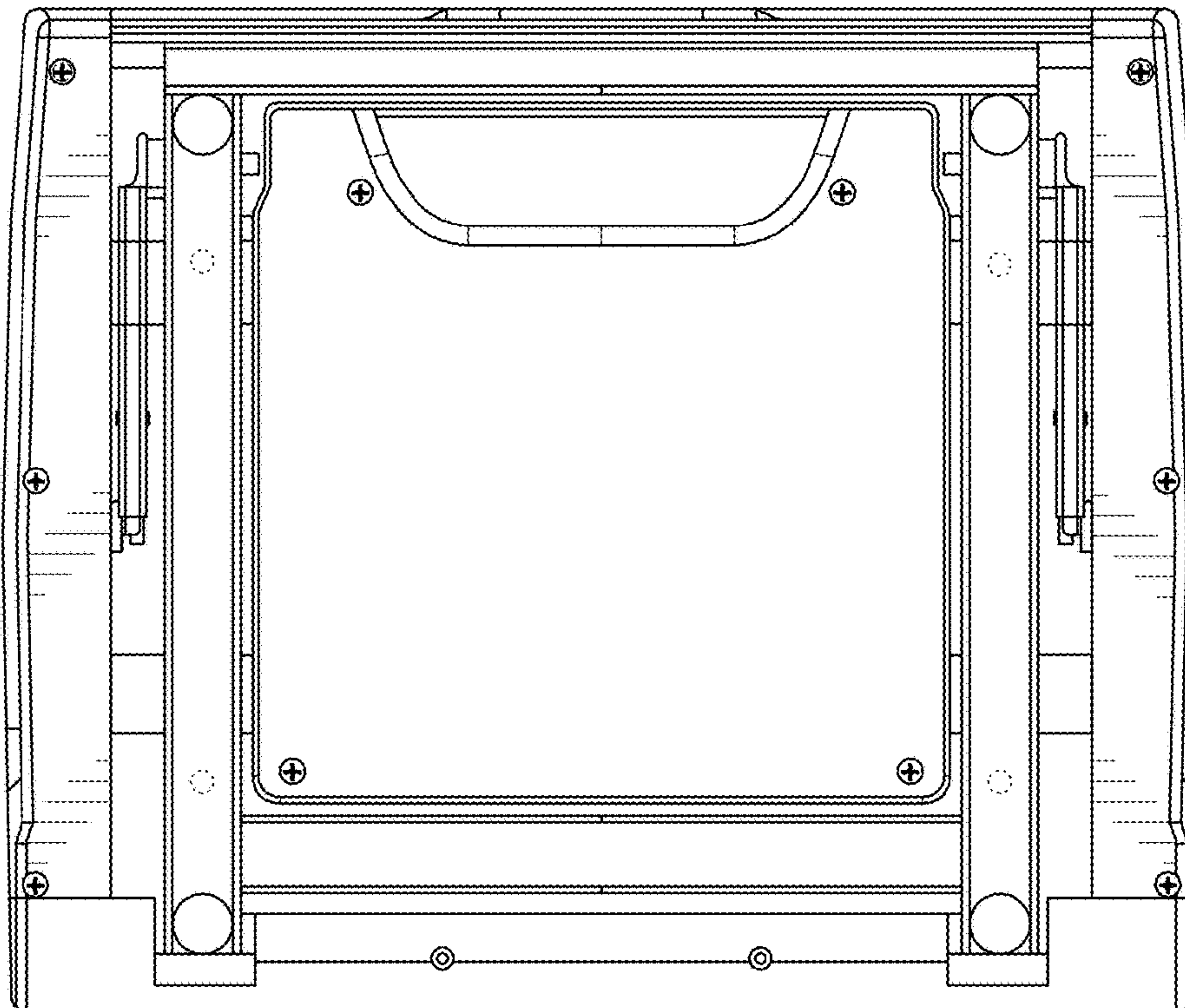


FIG. 4

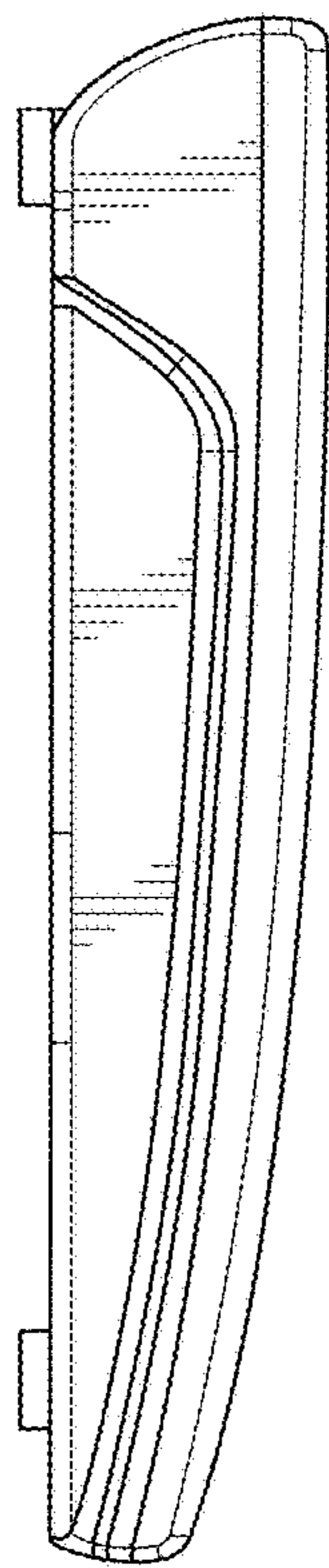


FIG. 5

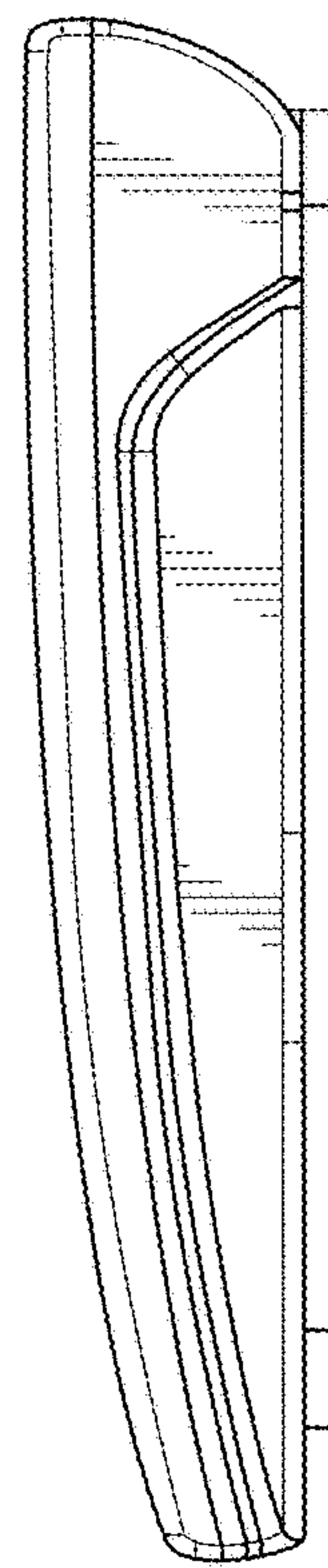


FIG. 6

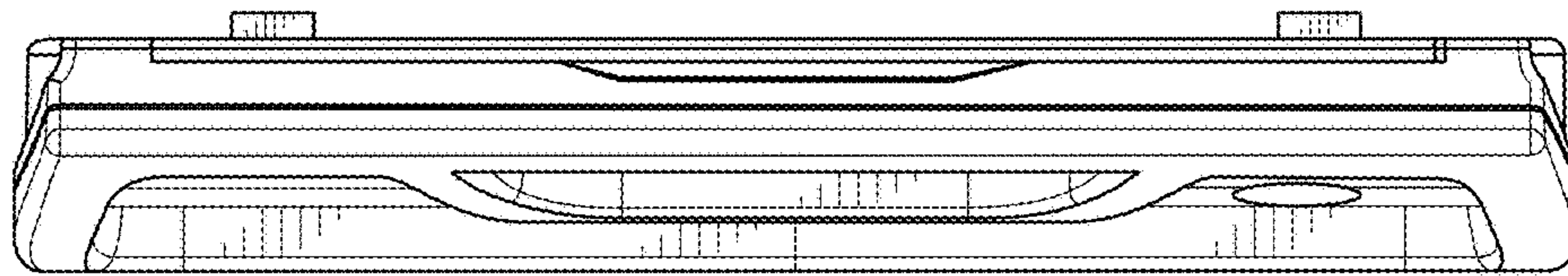


FIG. 7

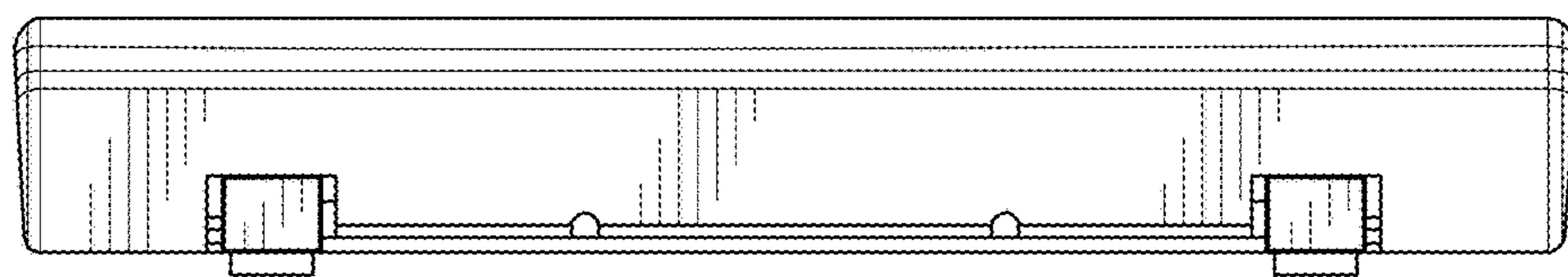


FIG. 8