



US00D858781S

(12) **United States Design Patent** (10) **Patent No.:** **US D858,781 S**
Sivy et al. (45) **Date of Patent:** **** Sep. 3, 2019**

(54) **MEDICAL DEVICE FOR FINGER OR TOE RETENTION AND/OR PROTECTION**

(71) Applicants: **Yann Sivy**, Ger (FR); **Laurent Bloedt**, Le Bouscat (FR)

(72) Inventors: **Yann Sivy**, Ger (FR); **Laurent Bloedt**, Le Bouscat (FR)

(**) Term: **15 Years**

(21) Appl. No.: **35/504,342**

(22) Filed: **Jul. 24, 2017**

(80) **Hague Agreement Data**

Int. Filing Date: **Jul. 24, 2017**

Int. Reg. No.: **DM/097115**

Int. Reg. Date: **Jul. 24, 2017**

Int. Reg. Pub. Date: **Jan. 26, 2018**

(51) **LOC (12) Cl.** **24-02**

(52) **U.S. Cl.**
USPC **D24/190**

(58) **Field of Classification Search**
USPC D24/190, 189, 191, 192; D29/113, 114
CPC A61F 5/05875; A61F 5/10; A61F 5/0118;
A61F 5/05866; A61F 2007/0037; A61F
5/013; A61F 5/05825
See application file for complete search history.

(56) **References Cited**

U.S. PATENT DOCUMENTS

1,245,253 A 11/1917 Marglous
2,636,491 A 4/1953 La Bille
3,550,593 A 12/1970 Kaufman
4,615,046 A 10/1986 Martin
D293,379 S * 12/1987 Link D24/190

5,267,945 A 12/1993 Doctor et al.
D706,939 S * 6/2014 Weaver, II D24/190
D715,951 S * 10/2014 Stuart D24/190
D793,568 S * 8/2017 Wong D24/190
D825,064 S * 8/2018 Wong D24/190
D833,024 S * 11/2018 Chang D24/190
D834,203 S * 11/2018 Zhuang D24/190
2007/0017004 A1 1/2007 Sims-Perry
2011/0046531 A1 2/2011 Lin

FOREIGN PATENT DOCUMENTS

CN 202497582 U 10/2012

* cited by examiner

Primary Examiner — Eliza Z Bennett-Hattan

(74) *Attorney, Agent, or Firm* — Pearne & Gordon LLP

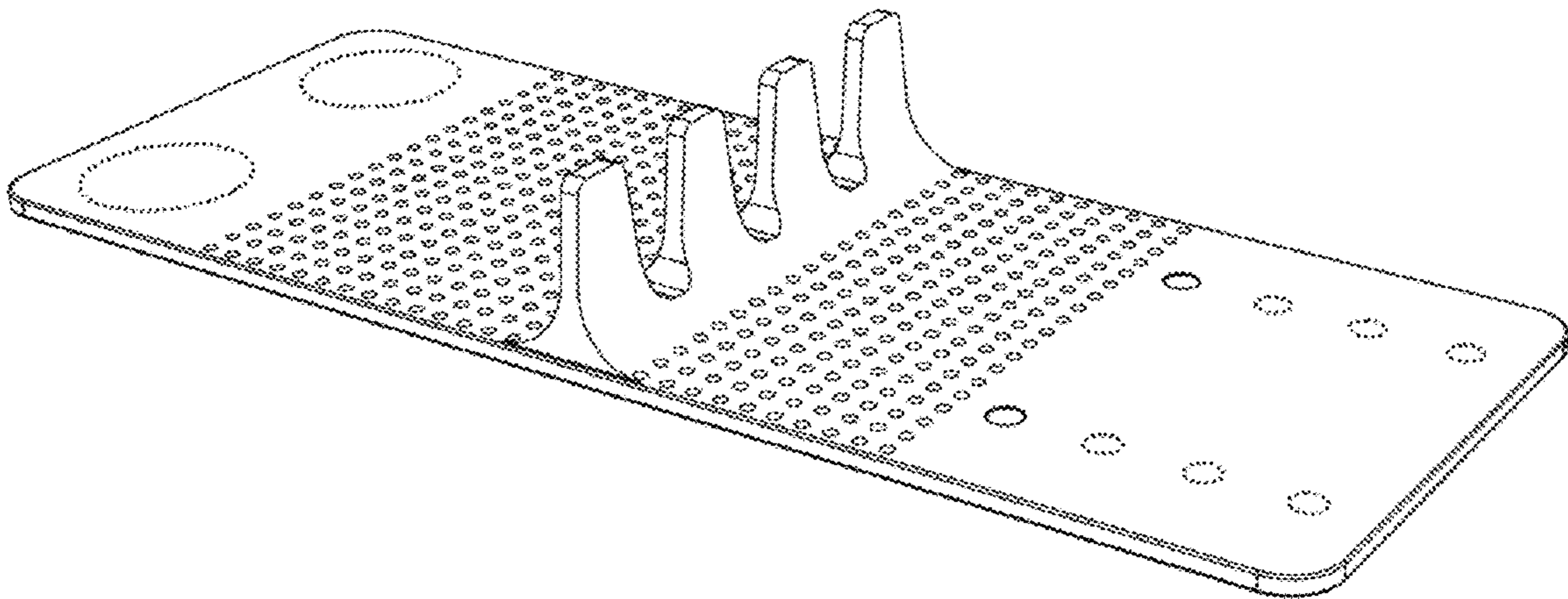
(57) **CLAIM**

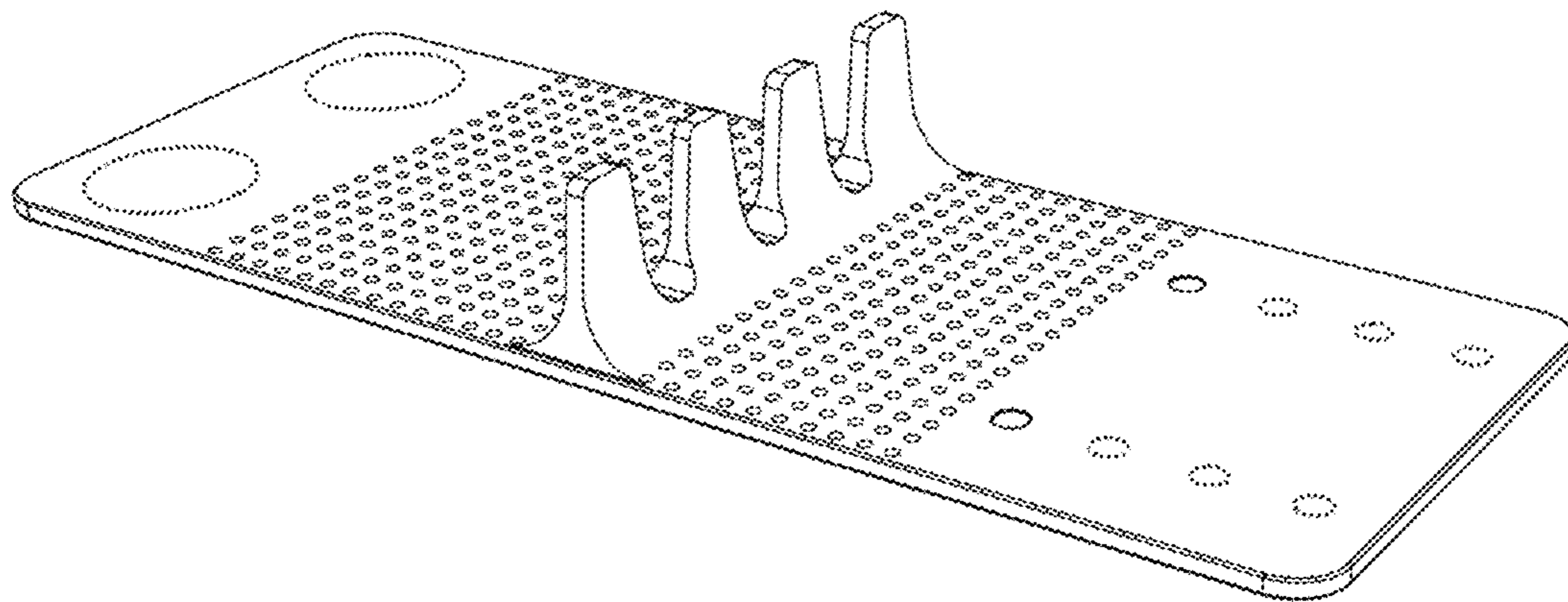
The ornamental design for a medical device for finger or toe retention and/or protection, as shown and described.

DESCRIPTION

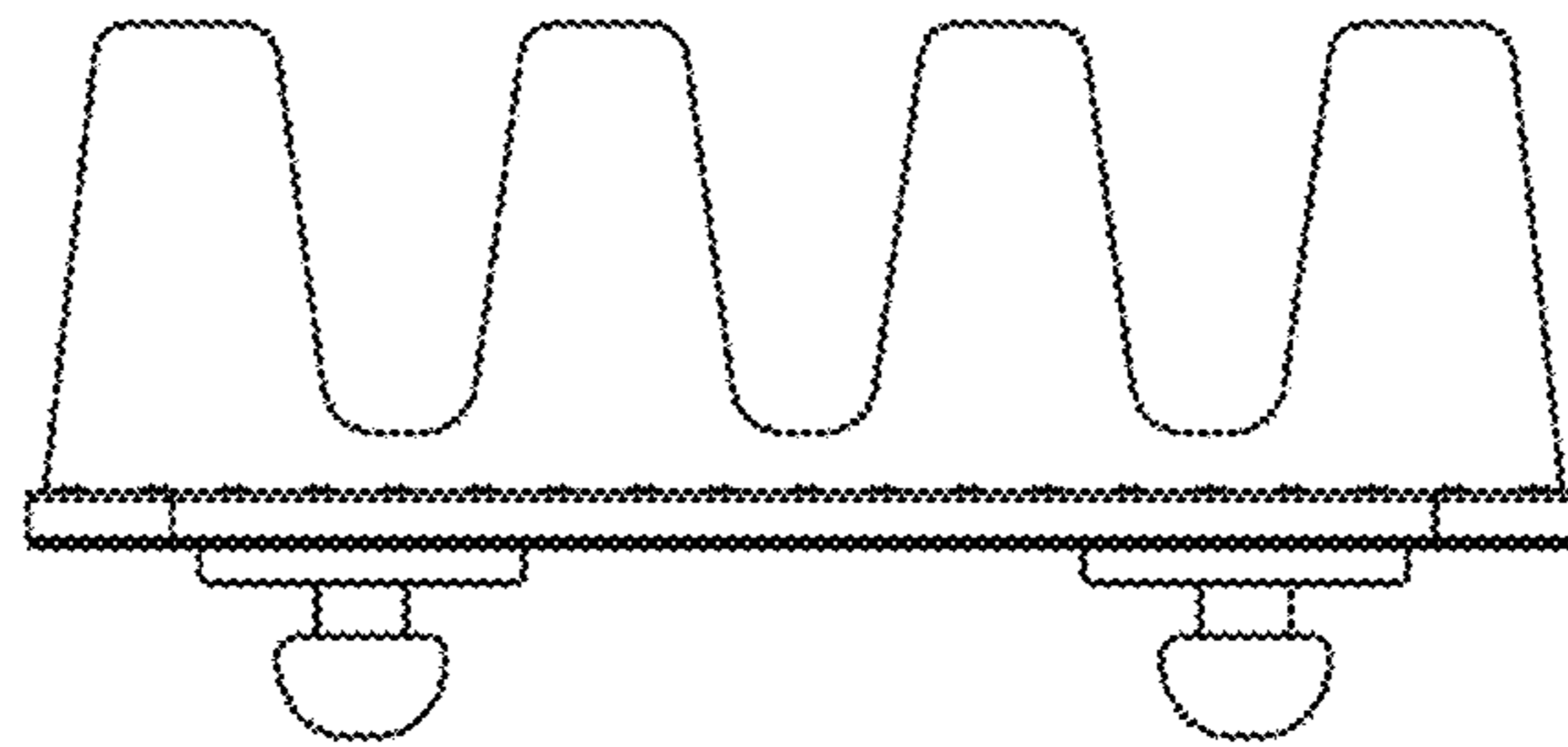
Fig. 1.1 is a perspective view;
Fig. 1.2 is a front view;
Fig. 1.3 is a top view;
Fig. 1.4 is a bottom view;
Fig. 1.5 is a right side view;
Fig. 1.6 is a perspective view showing the medical device for finger or toe retention and/or protection in a closed condition; and
Fig. 1.7 is a bottom view showing the medical device for finger or toe retention and/or protection in the closed condition.
Broken lines in the figures represent portions of the medical device for finger or toe retention and/or protection that form no part of the claimed design.

1 Claim, 7 Drawing Sheets

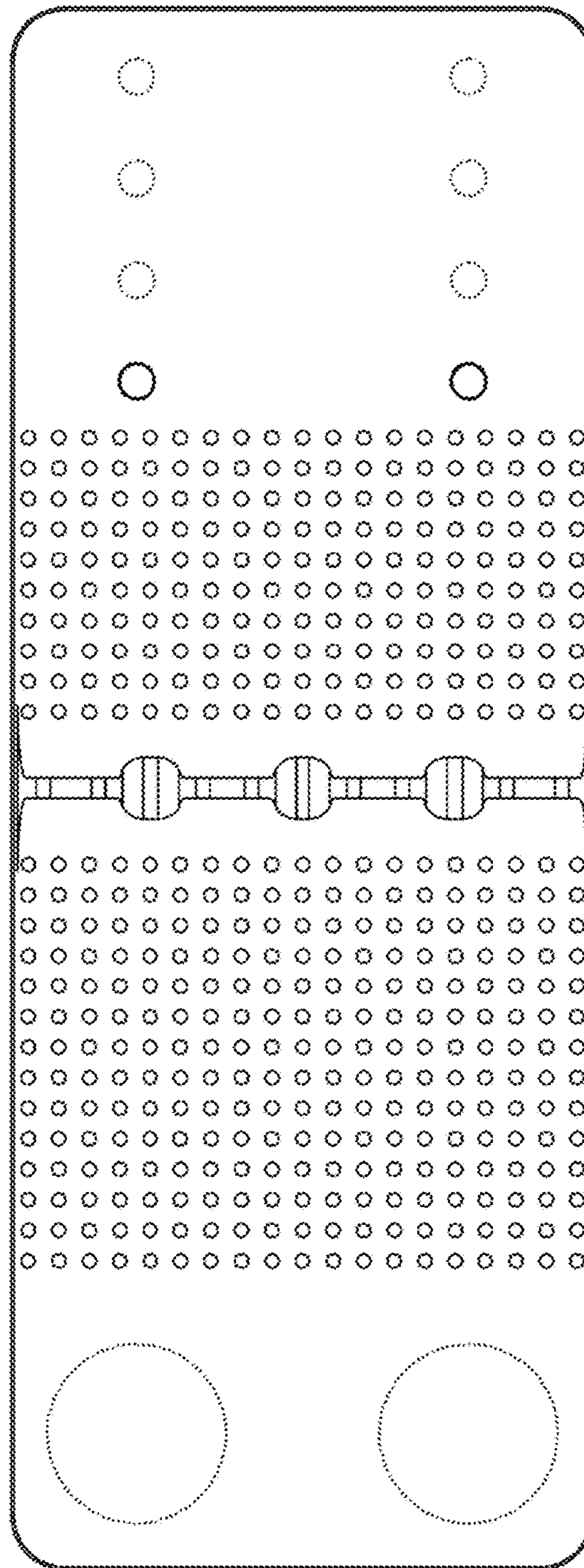




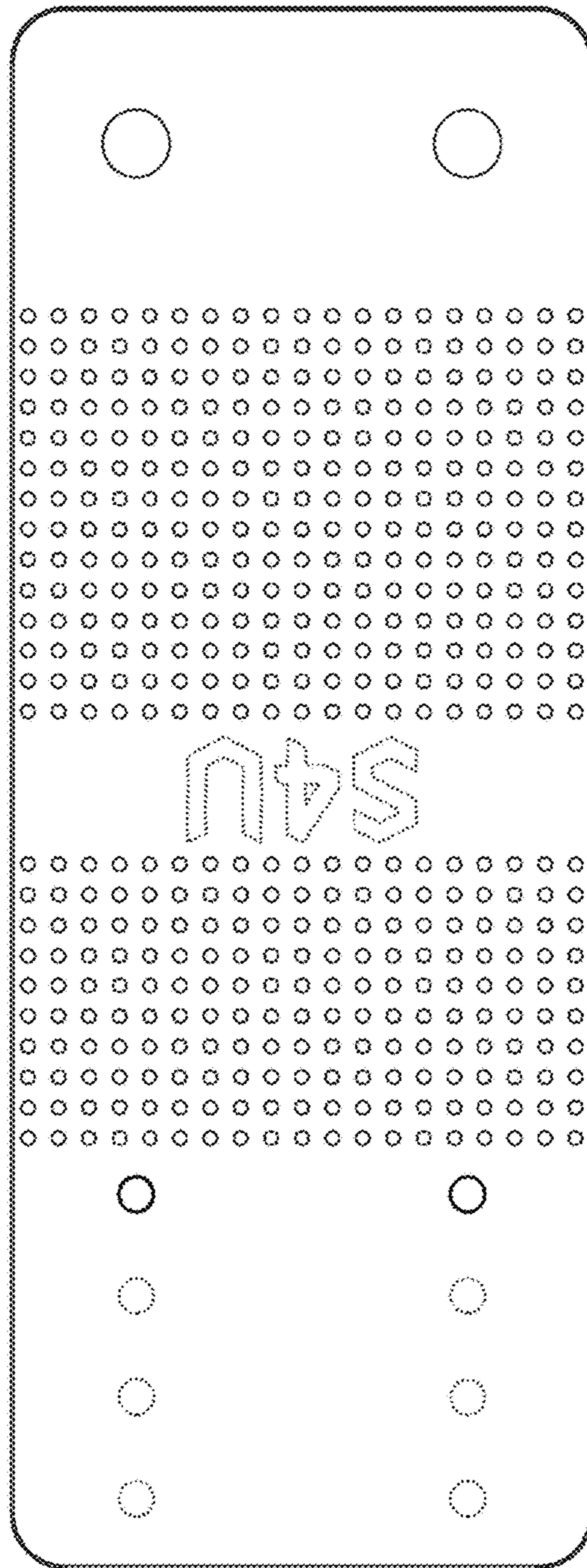
1.1



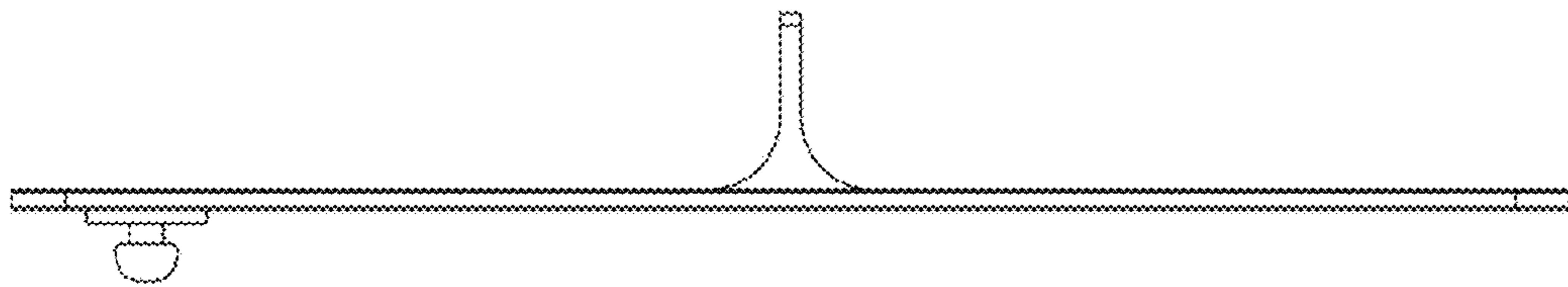
1.2



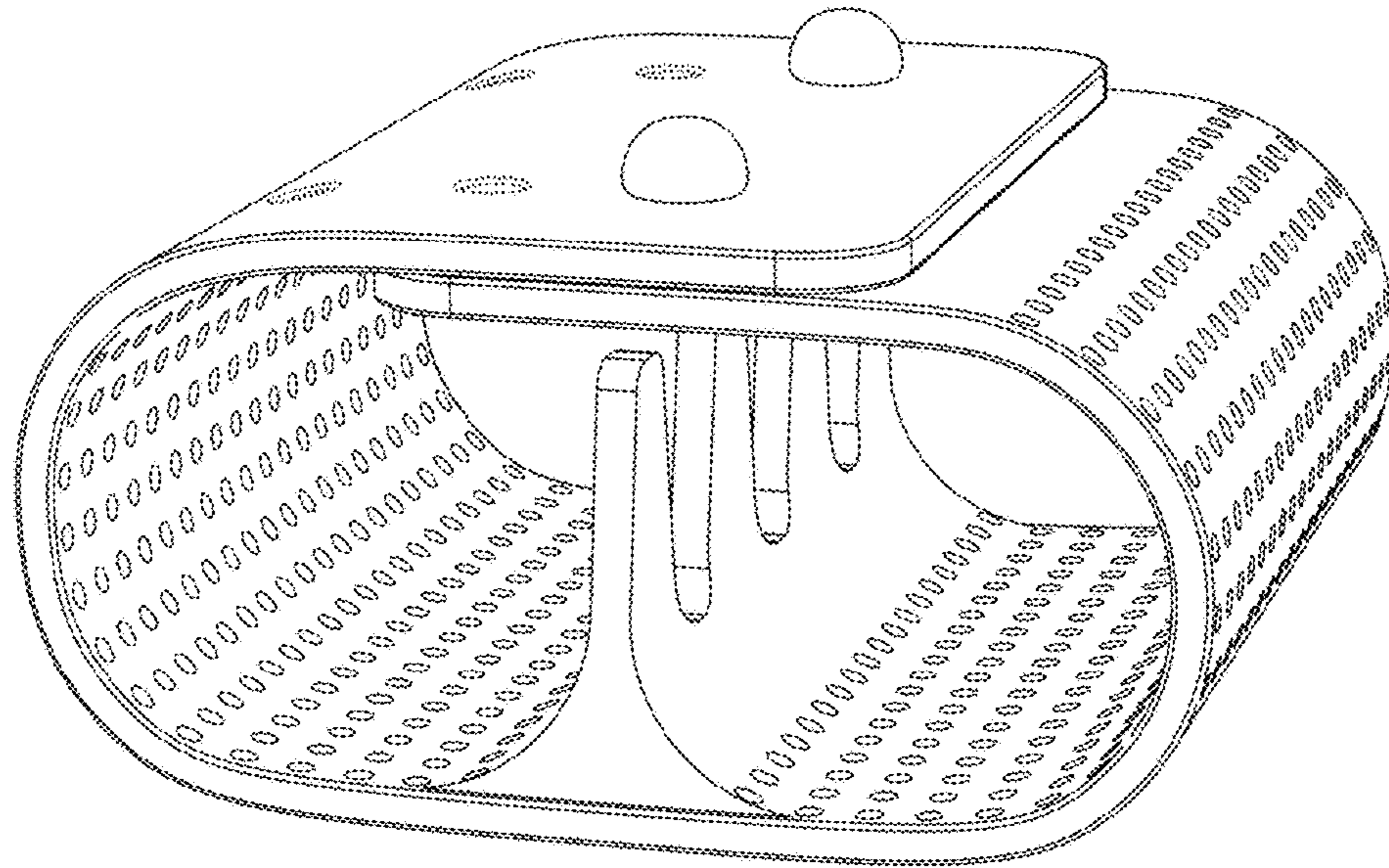
1.3



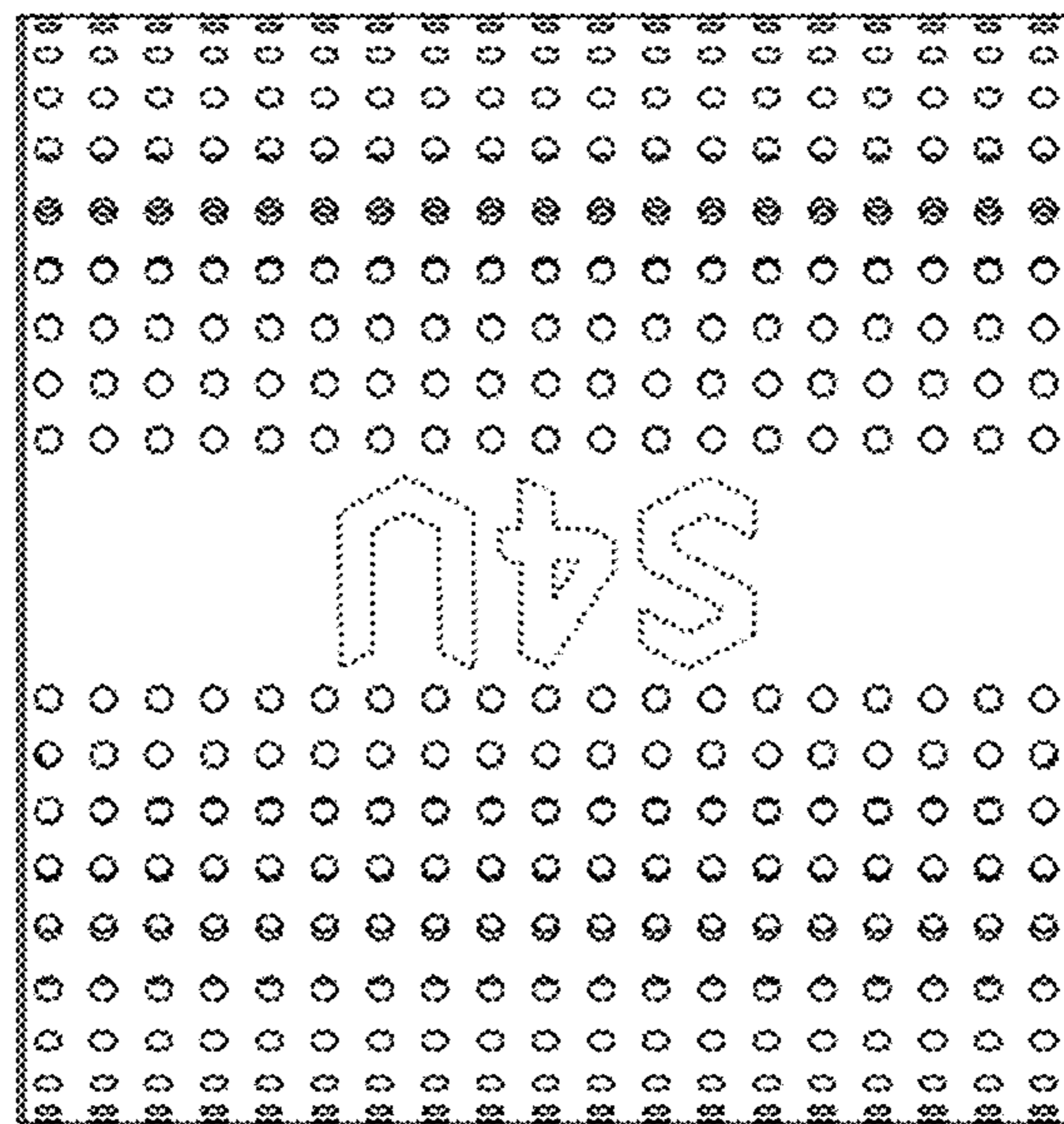
1.4



1.5



1.6



1.7