



US00D858780S

(12) **United States Design Patent**
Sikandar

(10) **Patent No.:** **US D858,780 S**

(45) **Date of Patent:** **** Sep. 3, 2019**

(54) **POSTURE BRACE WITH BELT HOLDER**

(71) Applicant: **Muhammad Sikandar**, Birrong (AU)

(72) Inventor: **Muhammad Sikandar**, Birrong (AU)

(**) Term: **15 Years**

(21) Appl. No.: **29/670,763**

(22) Filed: **Nov. 19, 2018**

(51) **LOC (12) Cl.** **24-01**

(52) **U.S. Cl.**
USPC **D24/190**

(58) **Field of Classification Search**
USPC D24/188-192; D29/101.4; D3/215-217
CPC A61F 5/026; A61F 5/028; A61F 5/0102;
A61F 5/02; A61F 5/03; Y10S 128/19;
Y10S 128/23; A41D 13/0015
See application file for complete search history.

(56) **References Cited**

U.S. PATENT DOCUMENTS

D245,537 S *	8/1977	Gurgiolo	D24/190
5,135,470 A	8/1992	Reeves		
D428,696 S *	8/2000	Fier	D3/216
D435,168 S *	12/2000	Momburg	D3/215
D499,806 S	12/2004	Machin et al.		
D555,289 S *	11/2007	Escarcega	D29/101.3
D621,517 S *	8/2010	Adamson-Macedo	D24/188
D621,518 S	8/2010	Arbesman et al.		
7,901,371 B1	3/2011	Vayntraub		
8,066,654 B2 *	11/2011	Sandifer	A61F 5/026 224/263
D651,717 S *	1/2012	Govreen-Segal	D24/190
D699,364 S *	2/2014	Chiang	D24/190
D699,365 S *	2/2014	Pollack	D24/190
D701,692 S *	4/2014	Heller	D3/216

D714,540 S *	10/2014	Barlet	D3/215
D776,287 S	1/2017	Leonard		
D810,951 S *	2/2018	Tooke	D24/190
D817,503 S *	5/2018	Wang	D24/190
D818,132 S *	5/2018	Hille	D24/190
D820,991 S *	6/2018	Hylton	D24/190
2008/0195010 A1	8/2008	Lai et al.		
2011/0152737 A1 *	6/2011	Burke	A61F 5/026 602/19
2012/0078149 A1 *	3/2012	Azimzadeh	A61F 5/024 602/19
2013/0053750 A1 *	2/2013	Taylor	A61F 13/06 602/75
2014/0336556 A1	11/2014	Pucik		
2017/0100130 A1 *	4/2017	Lakkireddy	A41D 13/1245

* cited by examiner

Primary Examiner — Jennifer L Watkins

(74) *Attorney, Agent, or Firm* — Intellent Patents LLC

(57) **CLAIM**

The ornamental design for a posture brace with belt holder, as shown and described.

DESCRIPTION

FIG. 1 is a front view of a posture brace with belt holder, showing my new design.

FIG. 2 is a back view thereof.

FIG. 3 is a front plan view thereof.

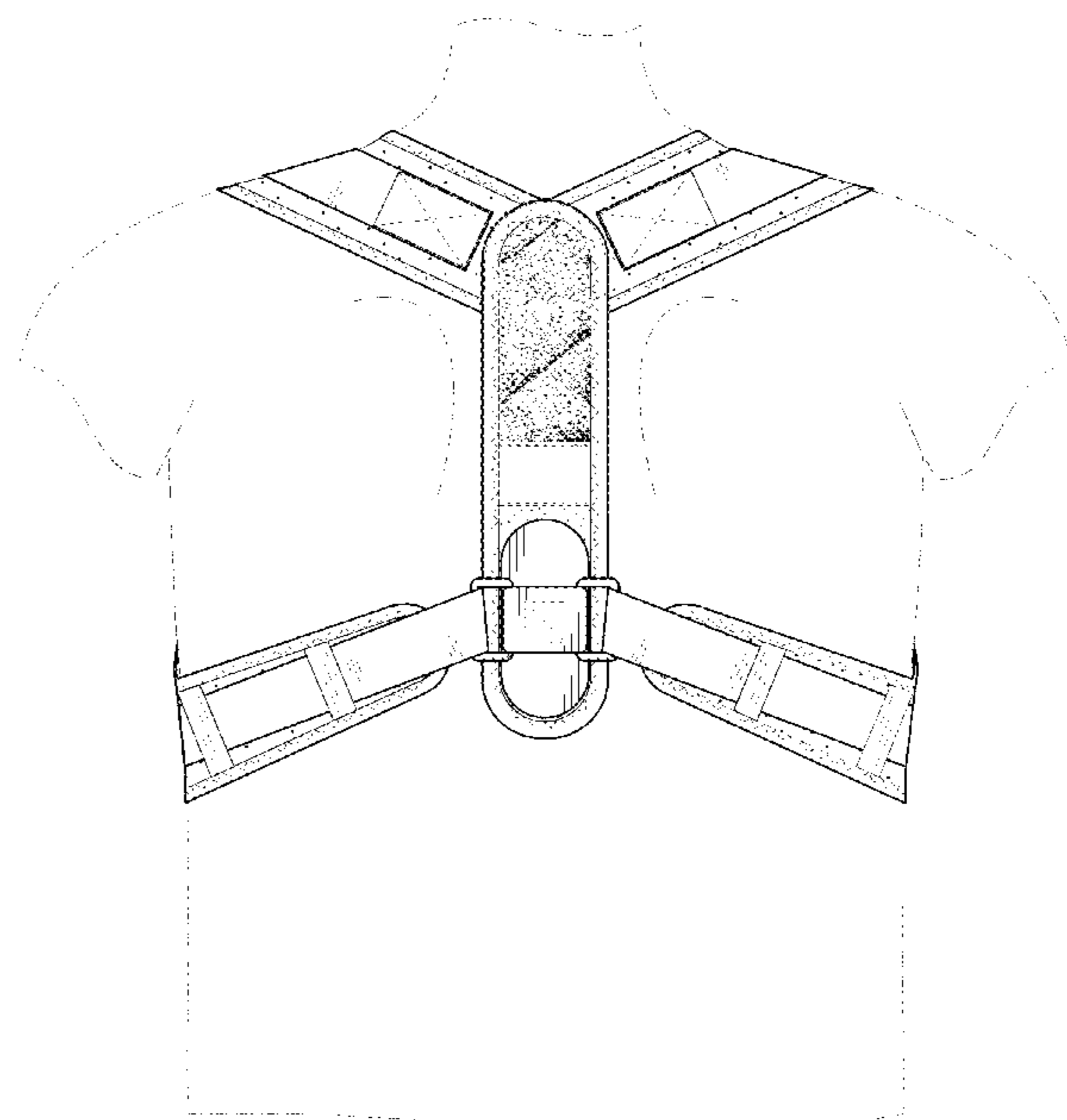
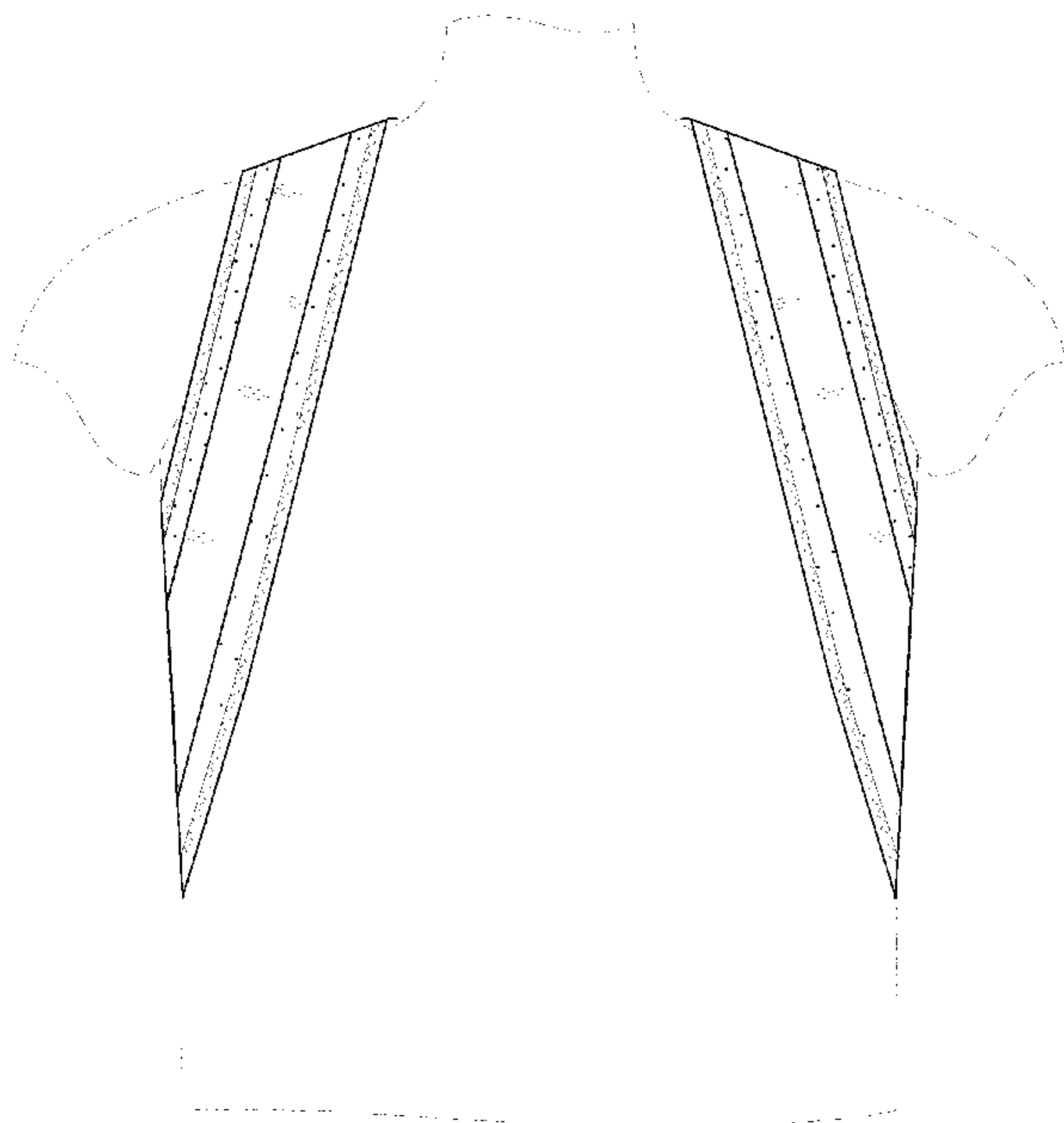
FIG. 4 is a rear plan view thereof.

FIG. 5 is a rear view of the belt holder; and,

FIG. 6 is a front view of the belt holder of FIG. 5.

The dash dot dash broken lines showing portions of a human are for the purpose of depicting environment and form no part of the claim. The broken lines on the article are for the purpose of depicting stitching and form no part of the claim.

1 Claim, 4 Drawing Sheets



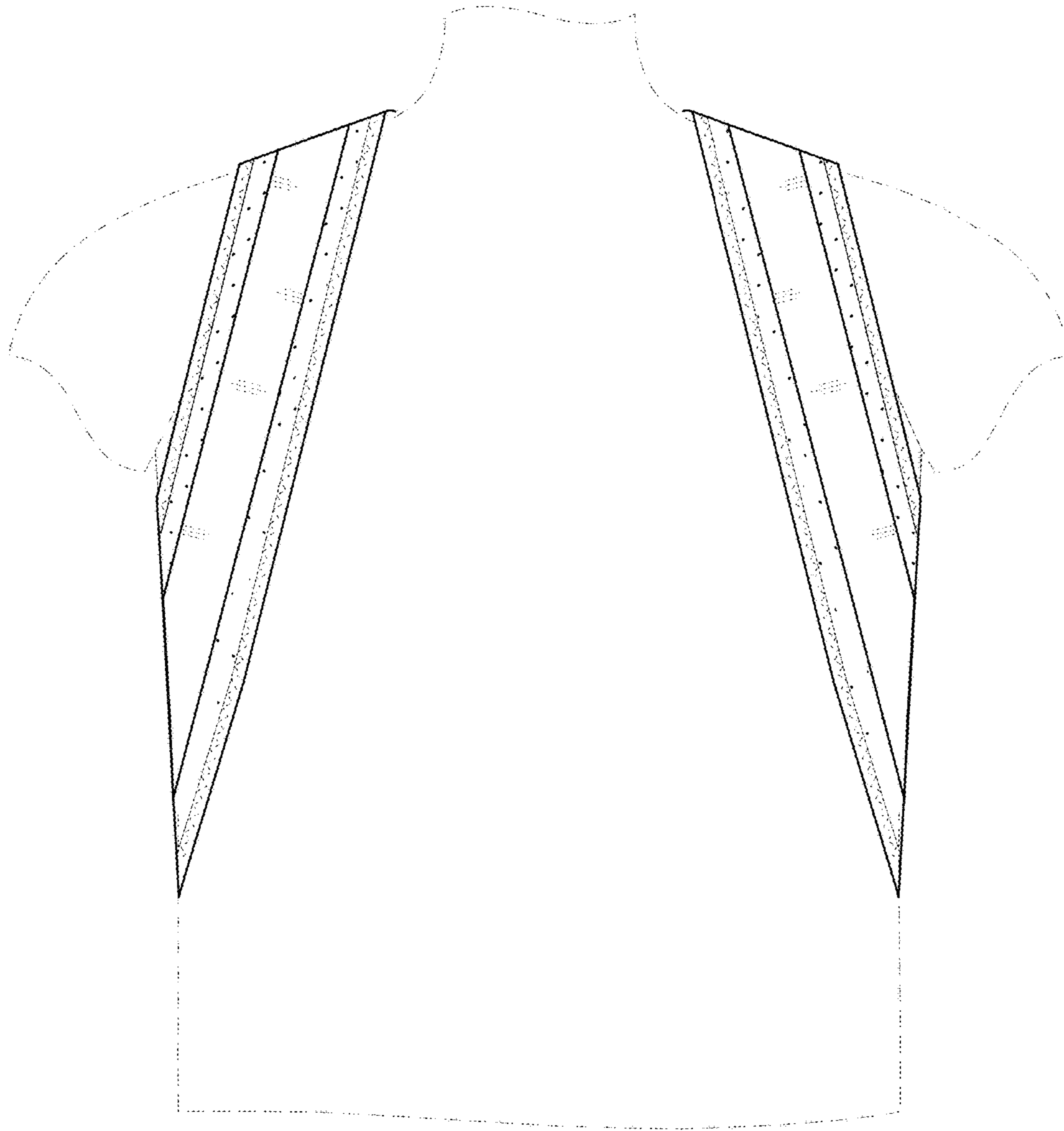


FIG. 1

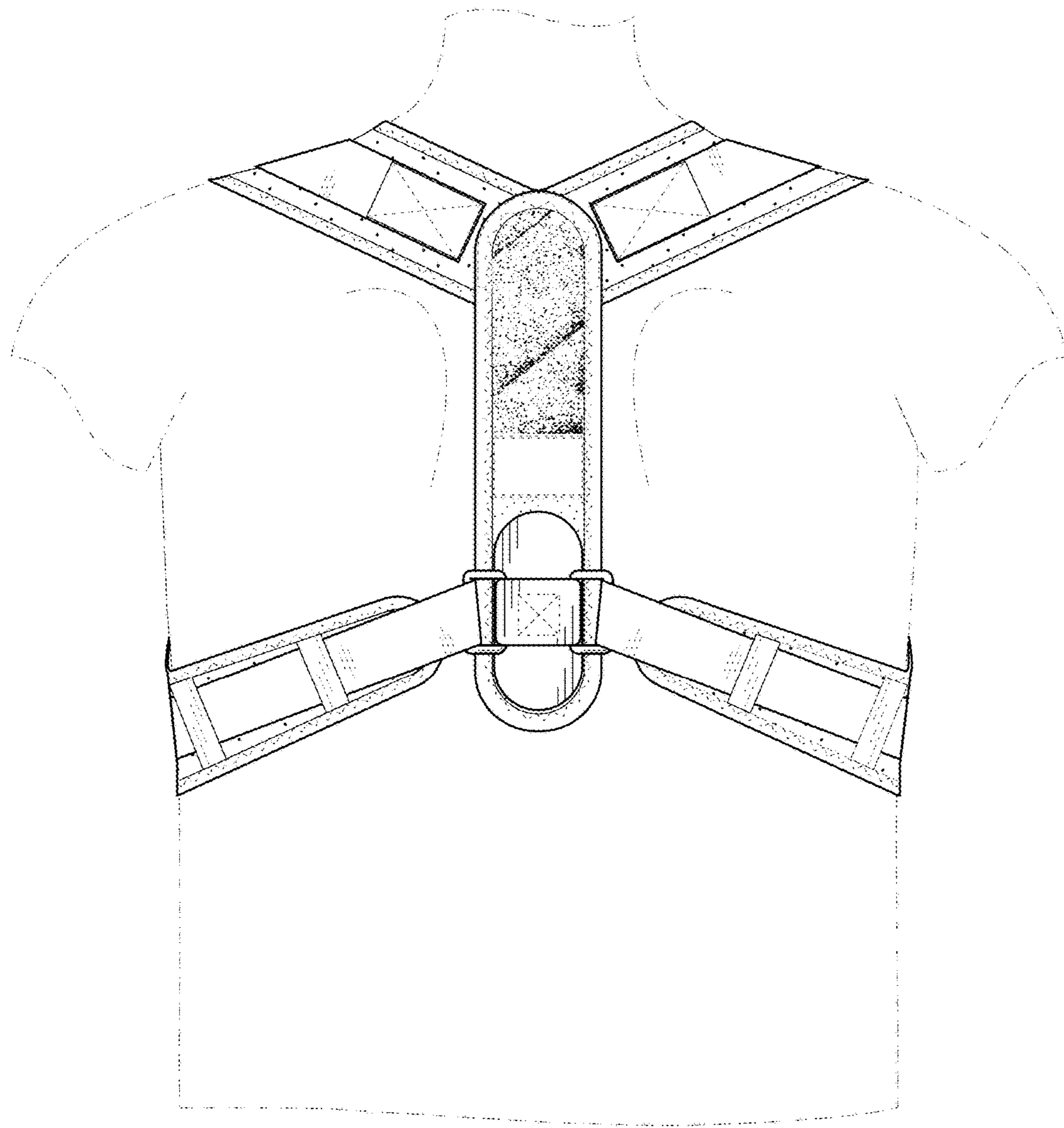
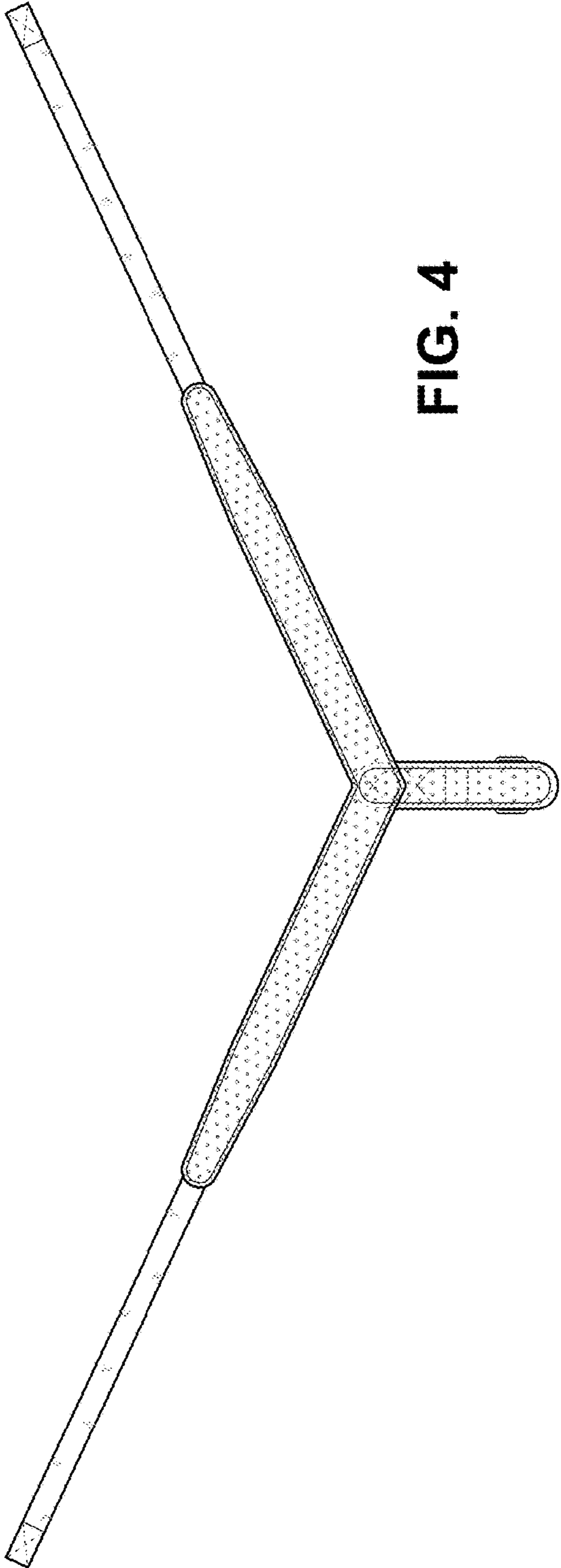
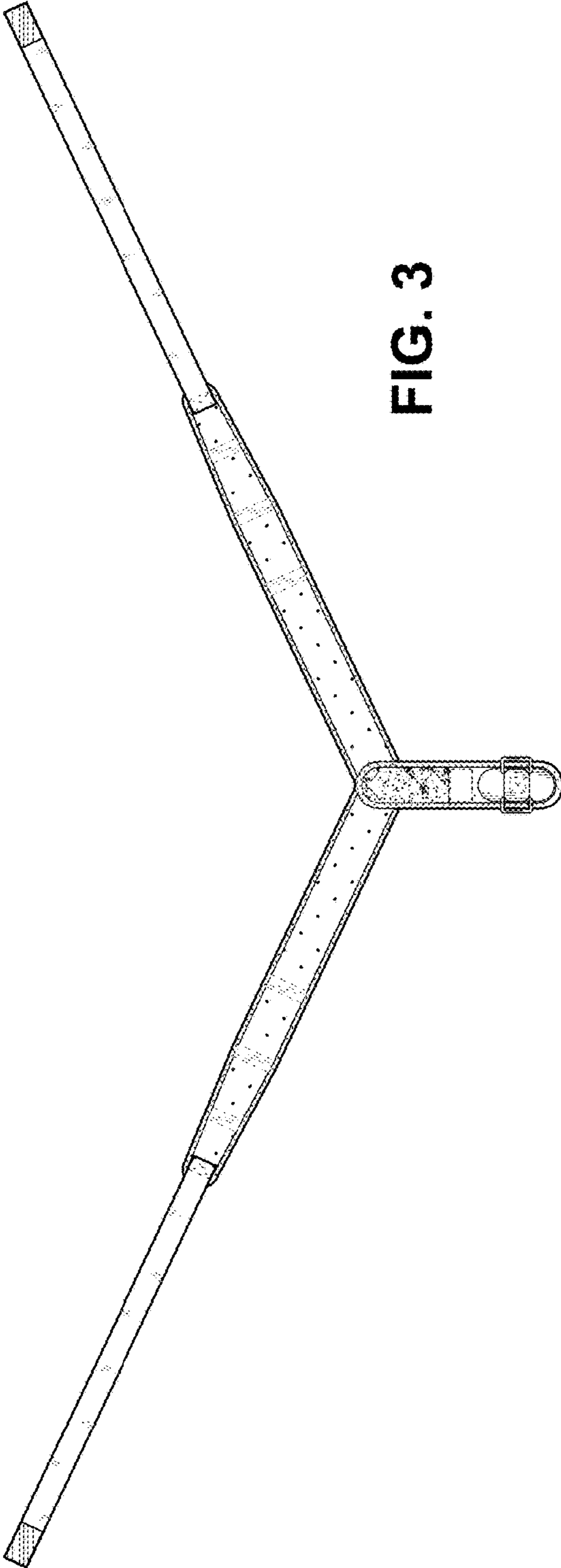


FIG. 2



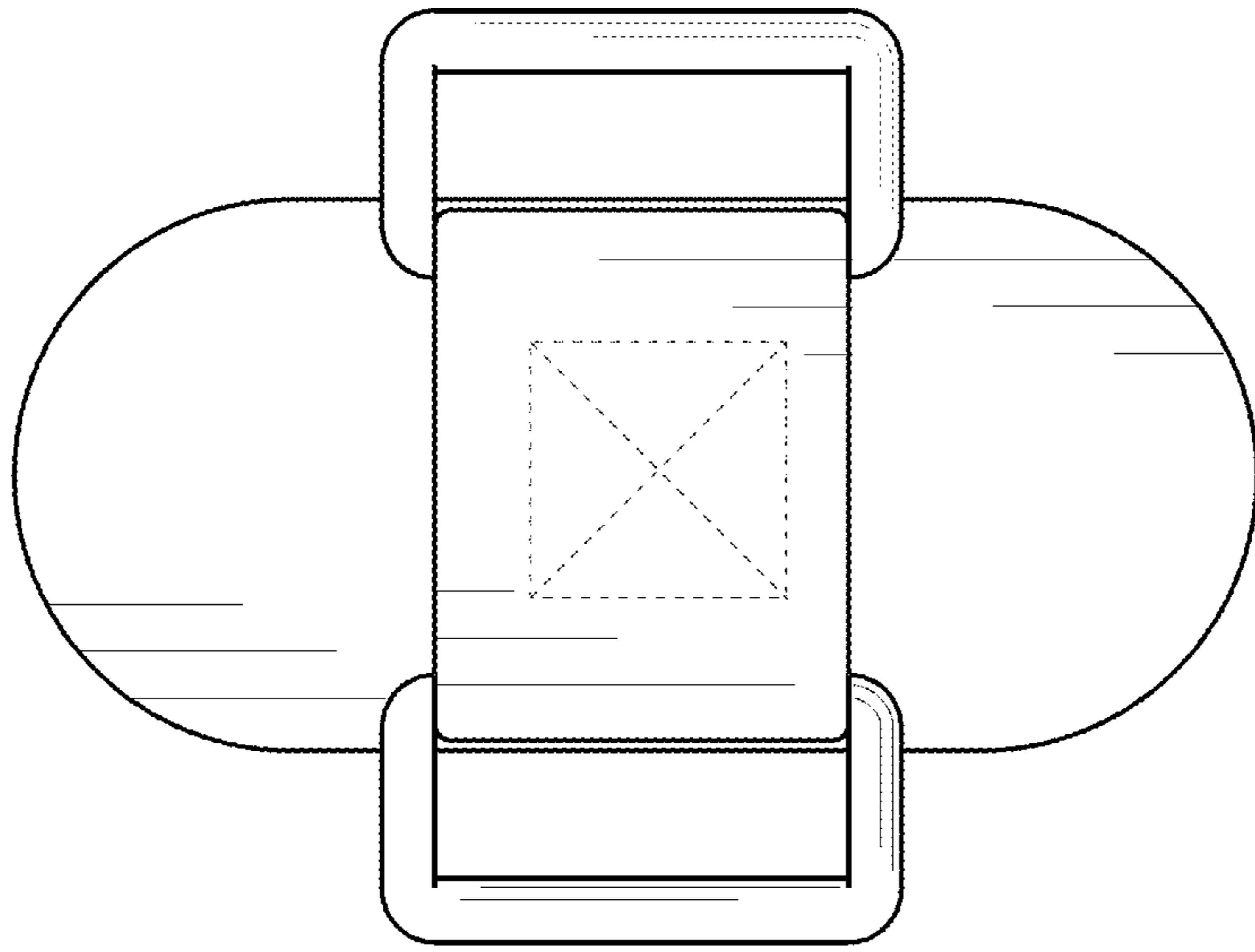


FIG. 6

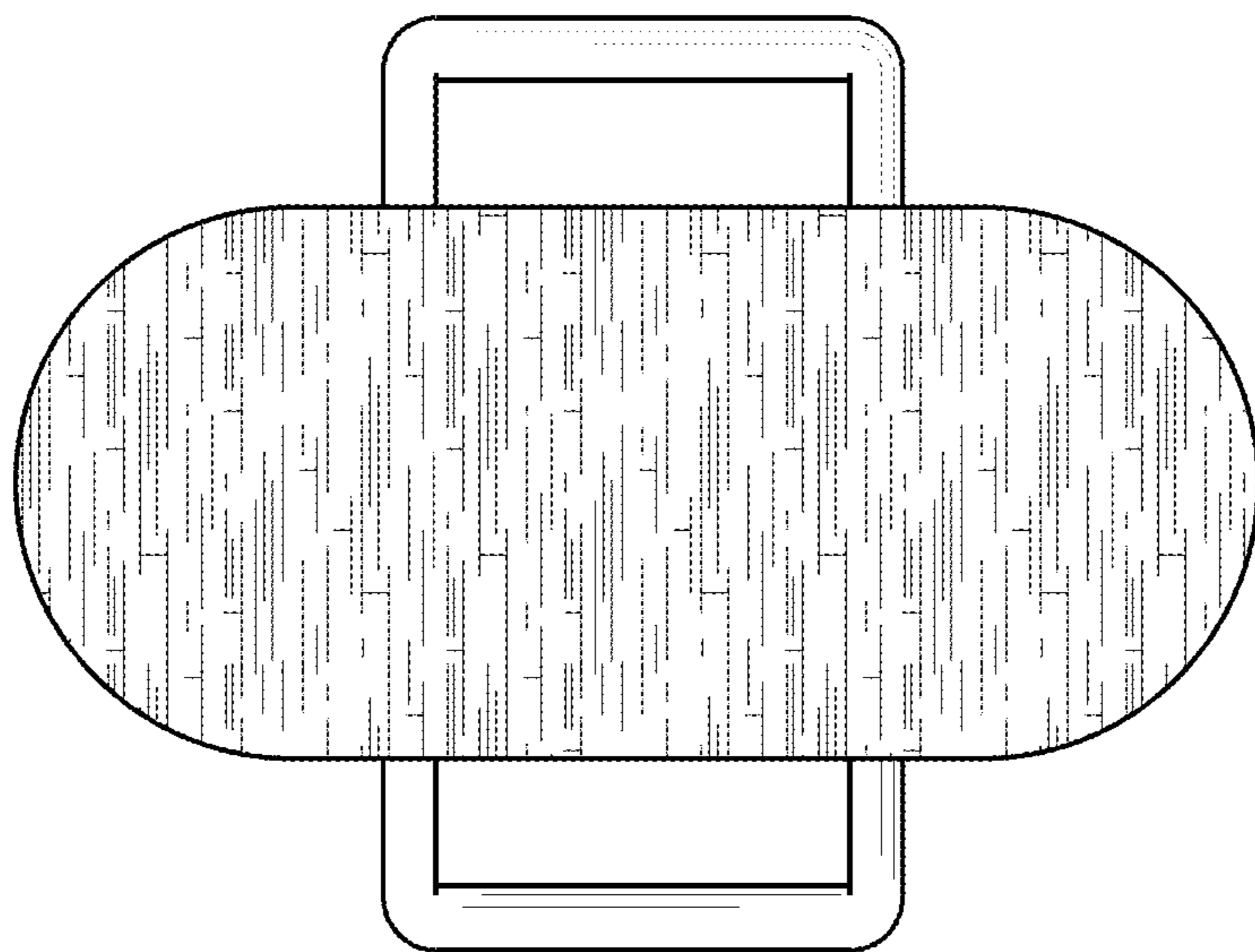


FIG. 5