



US00D858779S

(12) **United States Design Patent**  
**Durfee**

(10) **Patent No.:** **US D858,779 S**  
(45) **Date of Patent:** **\*\* Sep. 3, 2019**

- (54) **NECK ROLL SPINAL BRACE SUPPORT**
- (71) Applicant: **Eileen Durfee**, Kennewick, WA (US)
- (72) Inventor: **Eileen Durfee**, Kennewick, WA (US)
- (\*\*) Term: **15 Years**
- (21) Appl. No.: **29/619,830**
- (22) Filed: **Oct. 2, 2017**

**Related U.S. Application Data**

- (63) Continuation-in-part of application No. 29/619,829, filed on Oct. 2, 2017.
- (51) **LOC (12) Cl.** ..... **24-04**
- (52) **U.S. Cl.**  
USPC ..... **D24/190**; D21/662
- (58) **Field of Classification Search**  
USPC ..... D24/188, 190–192, 200, 211, 215;  
D21/662  
CPC ..... A47C 7/425; A47C 20/027; A47C 7/46;  
A47C 16/00; A47C 20/026; A47C  
27/081; A47C 27/10; A47C 7/383; A47C  
7/42; A61B 2017/0256  
See application file for complete search history.

(56) **References Cited**

**U.S. PATENT DOCUMENTS**

D428,946 S *	8/2000	Boorstein	.....	D21/679
D567,952 S *	4/2008	Fink	.....	D24/200
D567,954 S *	4/2008	Fink	.....	D24/200
D567,955 S *	4/2008	Fink	.....	D24/200
D615,605 S *	5/2010	Frasco	.....	D21/682
7,887,568 B2 *	2/2011	Ahlgren	.....	A61F 2/4611 606/279

8,252,024 B2 *	8/2012	Bax	.....	A61H 1/0292 5/630
8,393,027 B2 *	3/2013	Weisberg	.....	A47G 9/109 5/636
D699,794 S *	2/2014	Wauldron	.....	D21/662
D700,709 S *	3/2014	Khodabakhshian	.....	D24/211
D739,527 S *	9/2015	Chauvette	.....	D24/129
D749,722 S *	2/2016	Chauvette	.....	D24/129
D749,723 S *	2/2016	Chauvette	.....	D24/129
D762,042 S *	7/2016	Osenga	.....	D1/106
D781,429 S *	3/2017	Westdyk	.....	D24/183
D783,815 S *	4/2017	Lewis	.....	D24/129
D785,790 S *	5/2017	Lewis	.....	D24/129
D809,612 S *	2/2018	Ganea	.....	D21/662
D815,747 S *	4/2018	Kellock	.....	B60N 2/80 D24/190
D821,600 S *	6/2018	Chang	.....	D24/215
2008/0280534 A1 *	11/2008	Chandler	.....	A45D 44/22 450/59

\* cited by examiner

*Primary Examiner* — Jennifer L Watkins

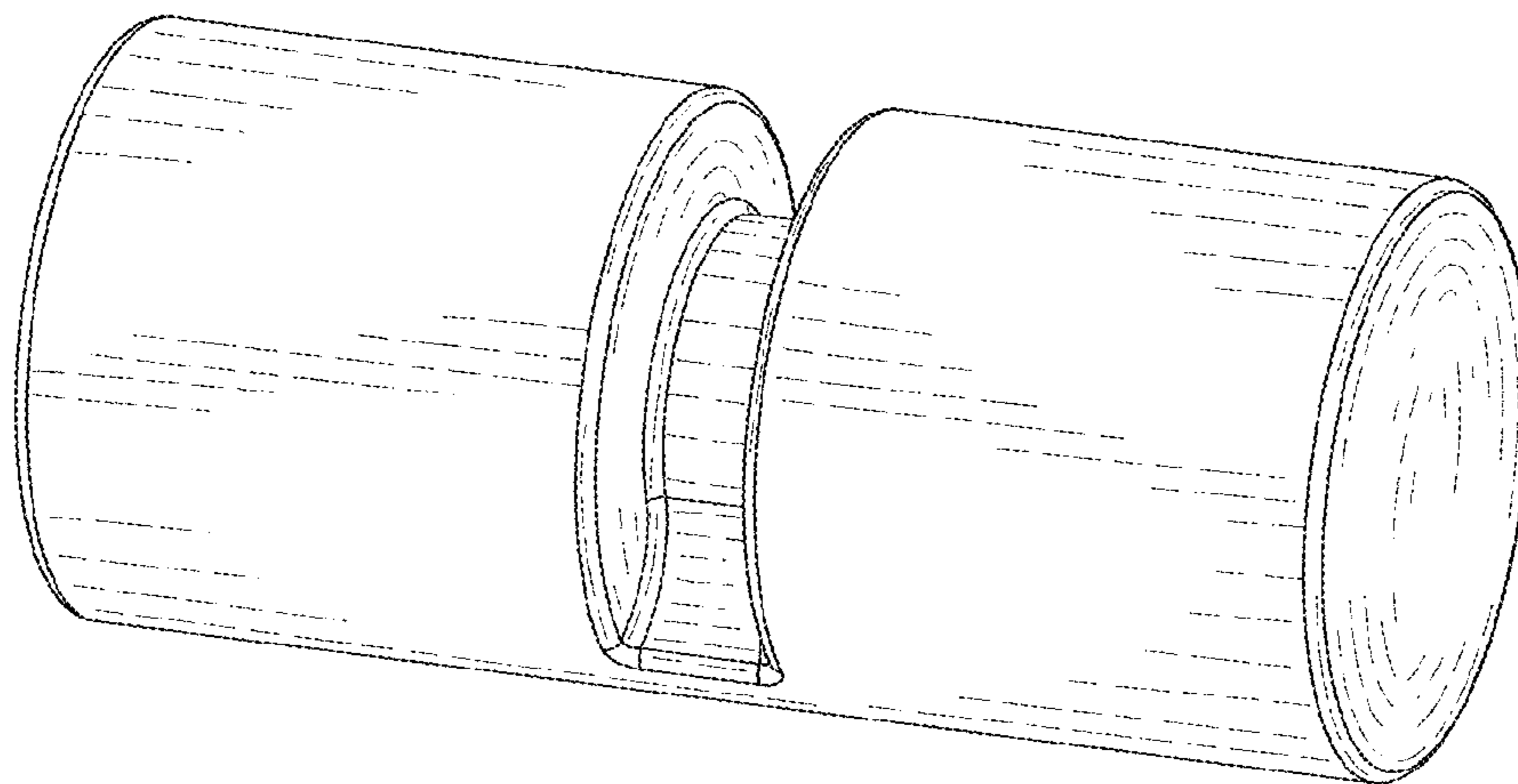
(57) **CLAIM**

The ornamental design for a neck roll spinal brace support, as shown and described.

**DESCRIPTION**

FIG. 1 is a perspective view of a neck roll spinal brace support;  
 FIG. 2 is a diametric view thereof;  
 FIG. 3 is a front elevational and a rear elevational thereof;  
 FIG. 4 a left elevational view and right elevational thereof;  
 FIG. 5 is a top elevational view thereof; and,  
 FIG. 6 is a bottom elevational view thereof.

**1 Claim, 6 Drawing Sheets**



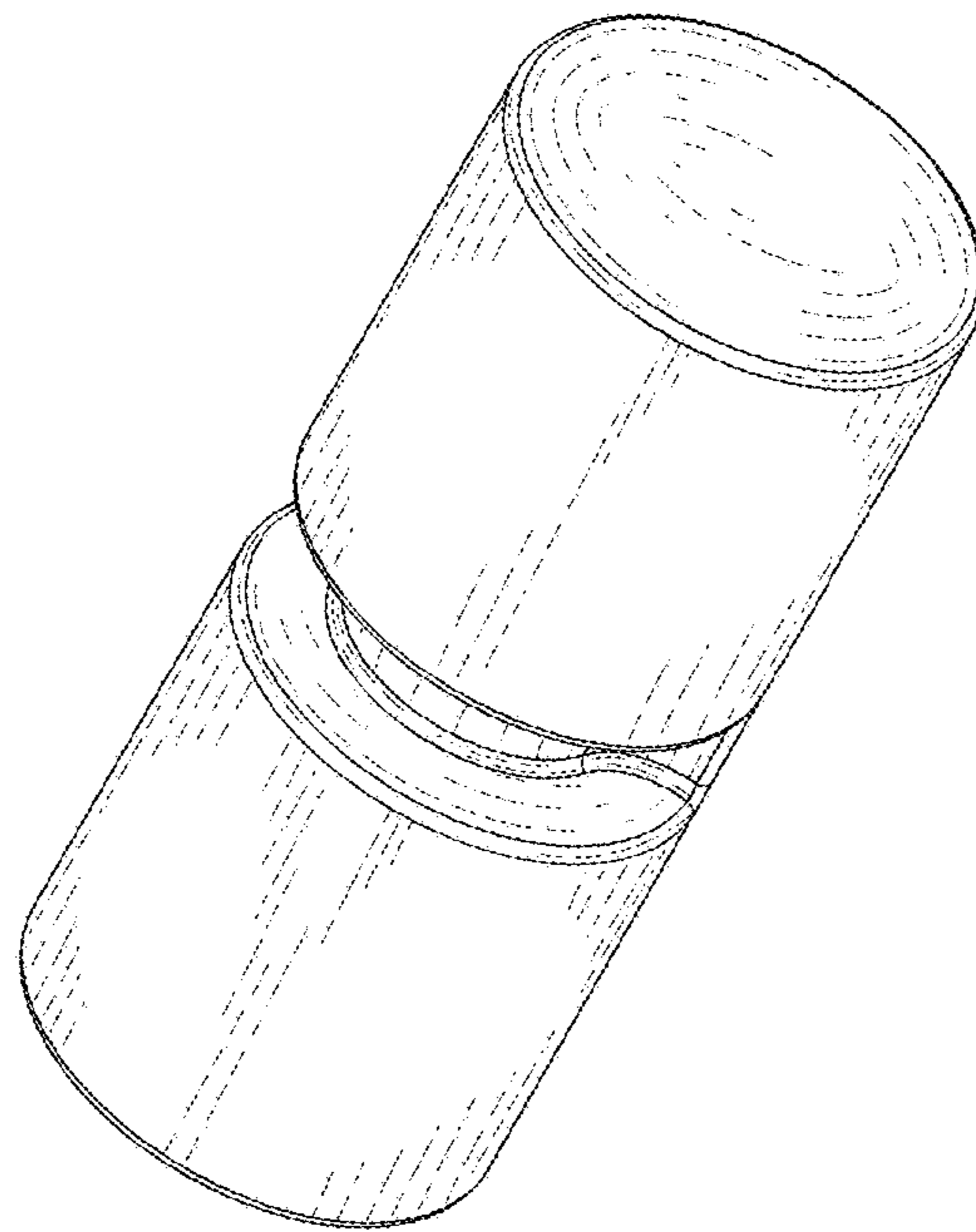


FIG. 1

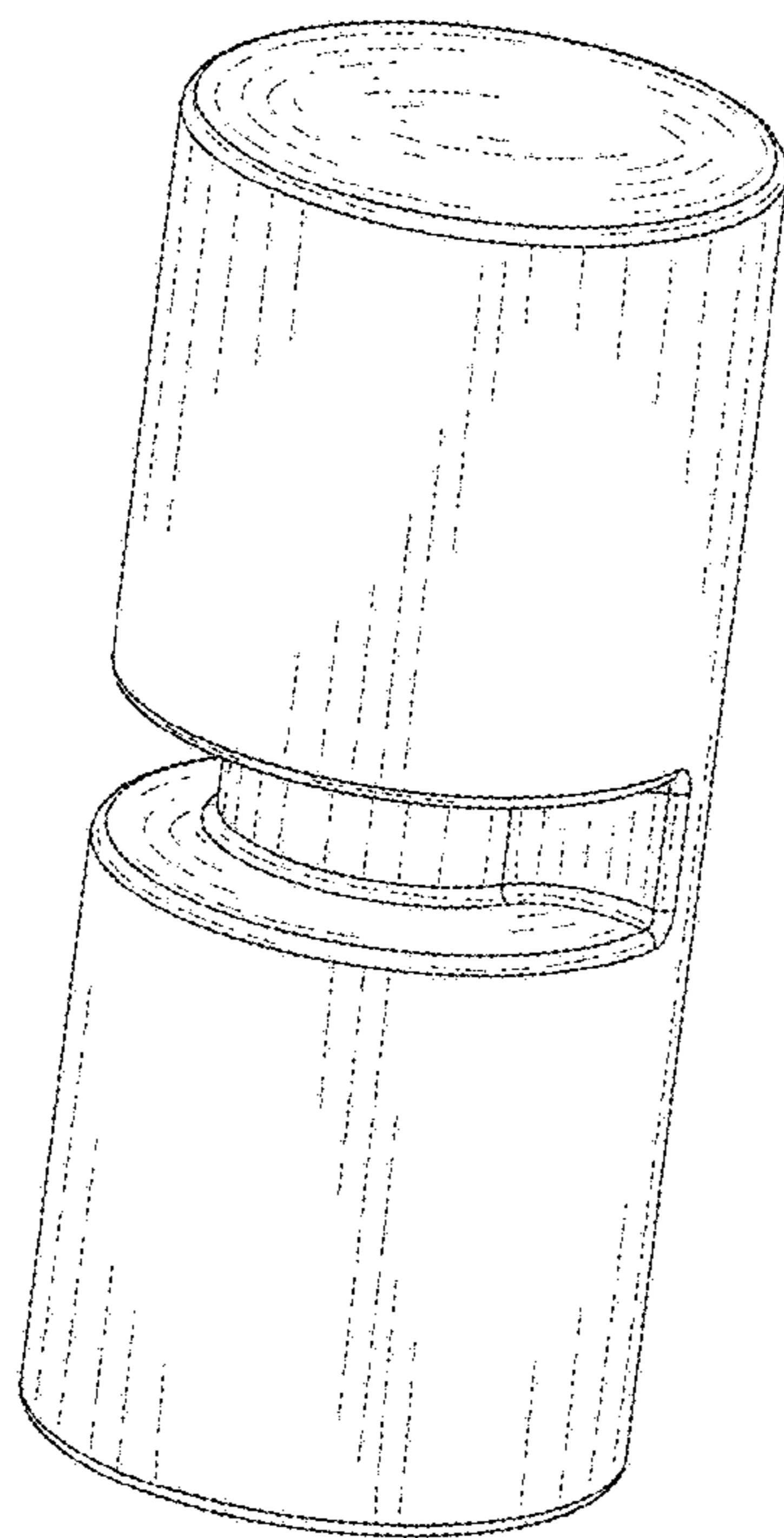


FIG. 2

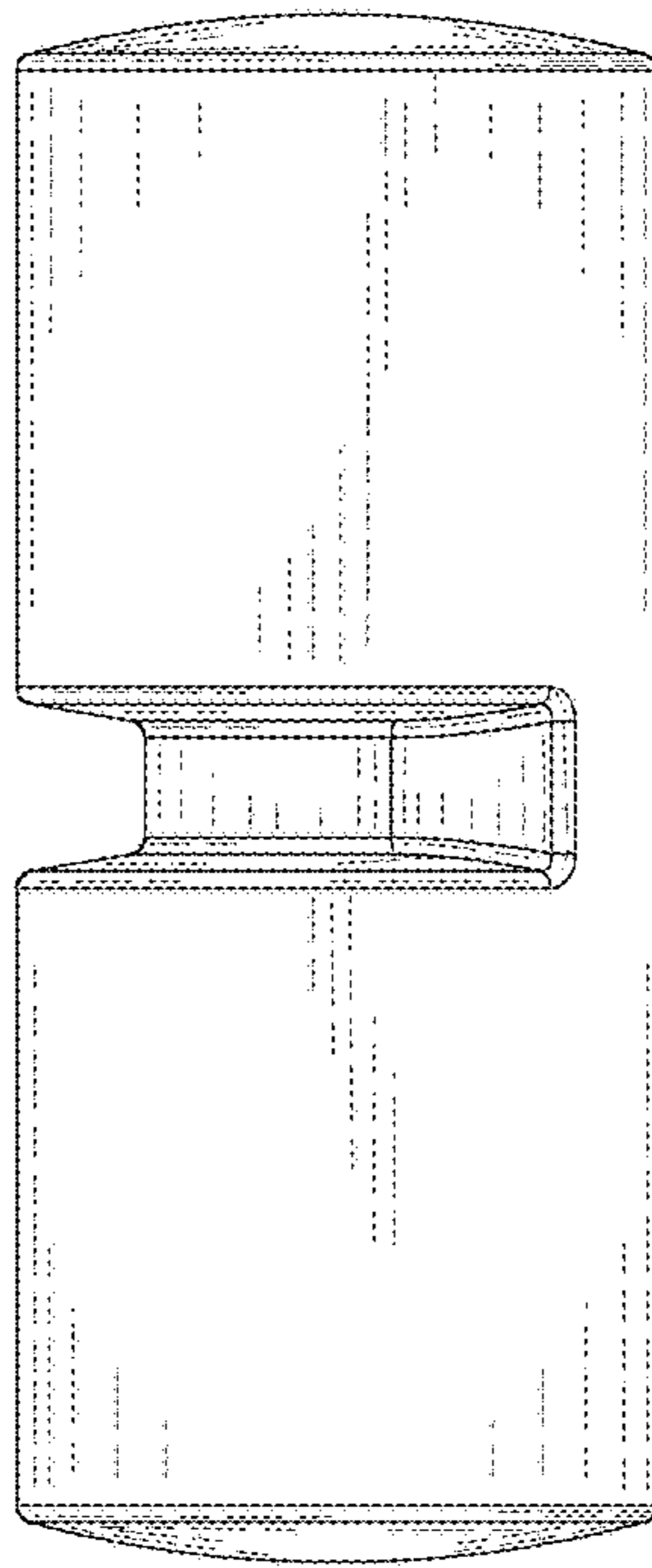


FIG. 3

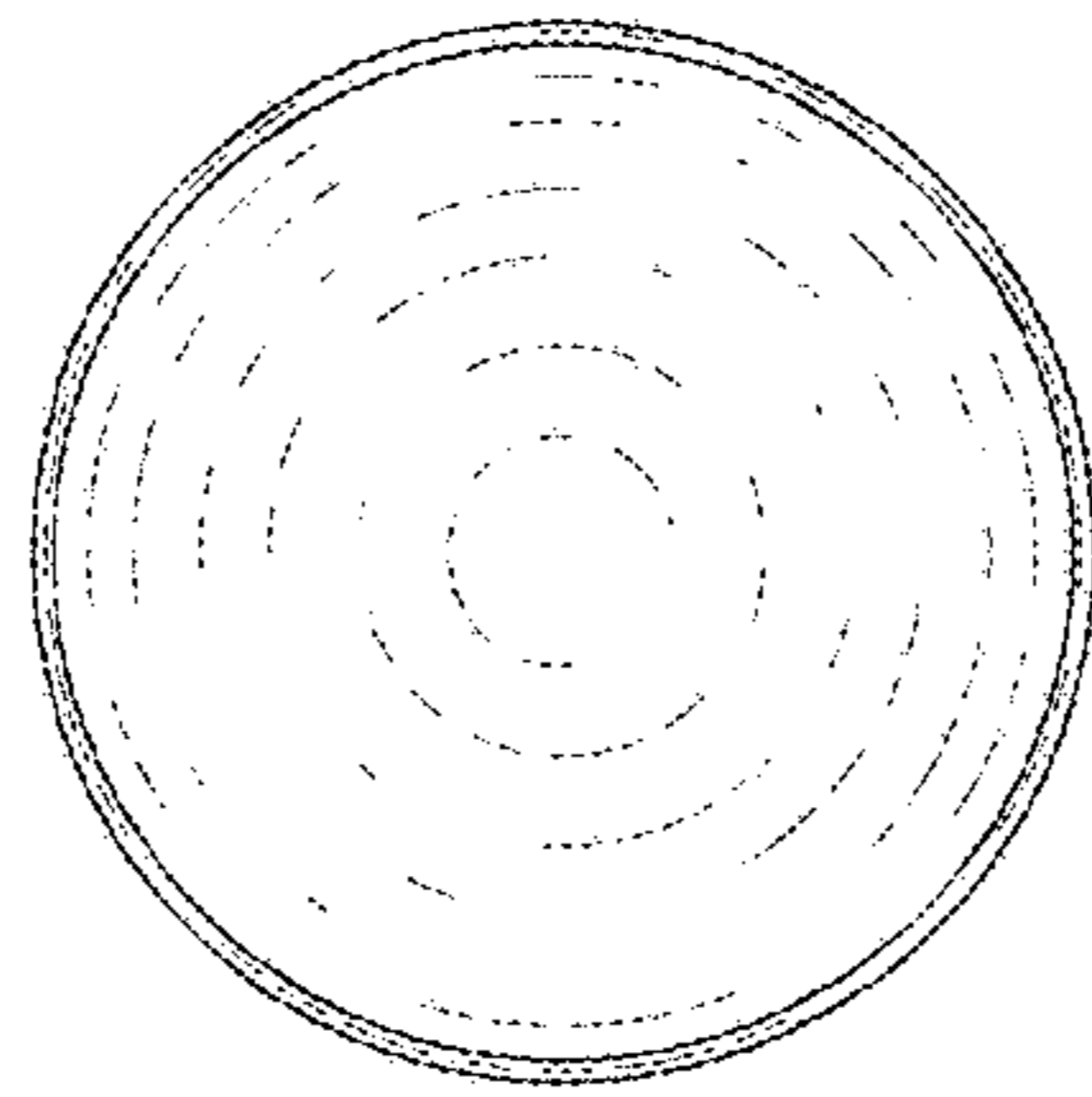


FIG. 4

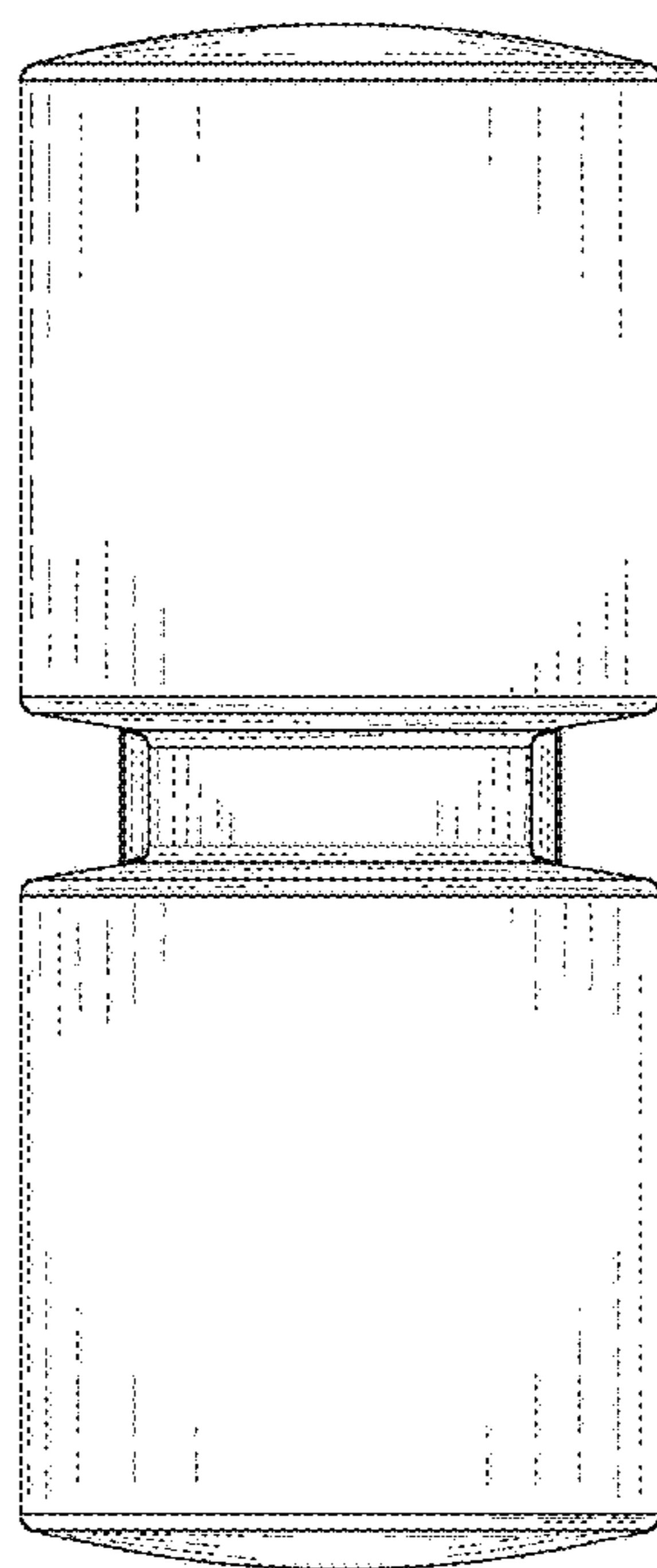


FIG. 5

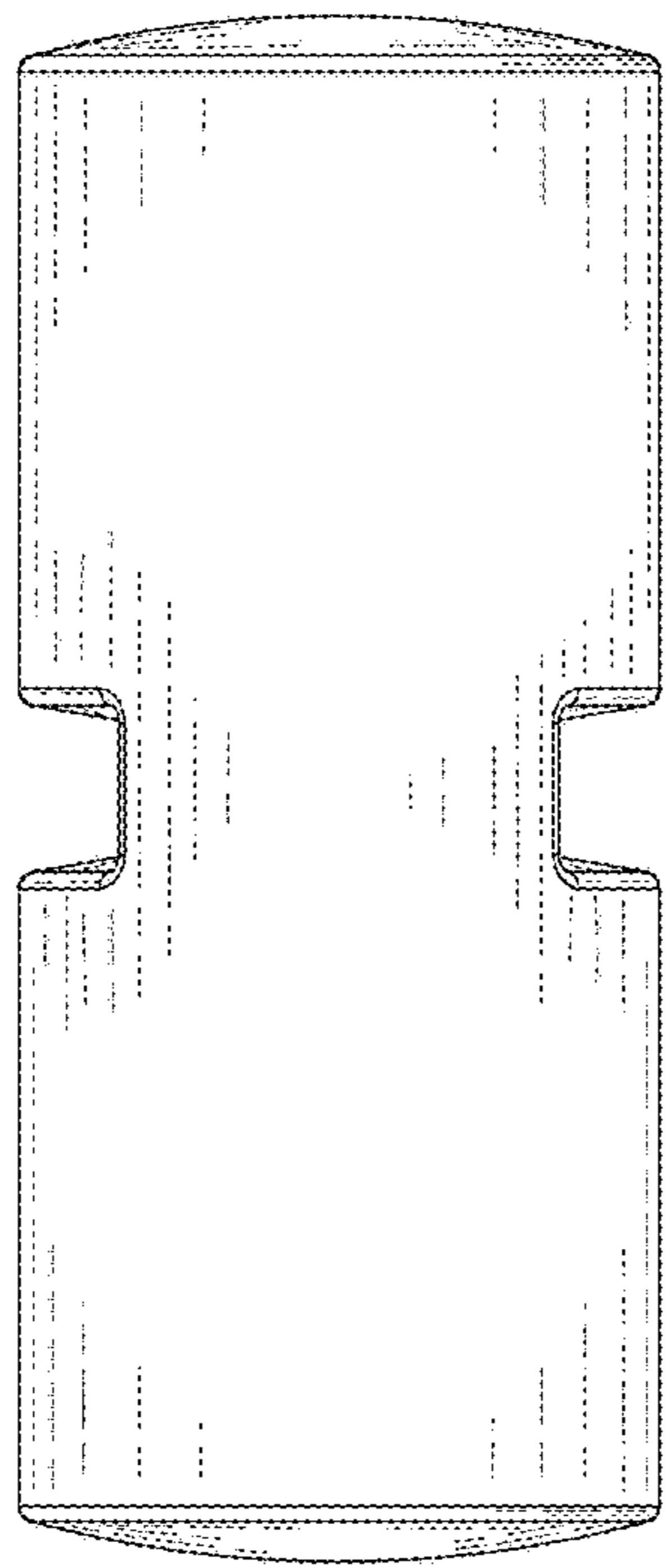


FIG. 6