



US00D858778S

(12) **United States Design Patent** (10) **Patent No.:** **US D858,778 S**  
**Foley et al.** (45) **Date of Patent:** **\*\* Sep. 3, 2019**

(54) **TESTING DEVICE**

(71) Applicant: **Medline Industries, Inc.**, Northfield, IL (US)  
(72) Inventors: **Brian Foley**, Northbrook, IL (US); **Ben Duck**, McHenry, IL (US)  
(73) Assignee: **Medline Industries, Inc.**, Northfield, IL (US)

(\*\*) Term: **15 Years**

(21) Appl. No.: **29/613,086**

(22) Filed: **Aug. 7, 2017**

(51) **LOC (12) Cl.** ..... **24-02**

(52) **U.S. Cl.**  
USPC ..... **D24/187**

(58) **Field of Classification Search**  
USPC ..... D10/46; D24/187  
CPC ... A61B 5/4824; A61B 5/4827; A61B 5/0053;  
A61B 5/441; A61B 2090/064

See application file for complete search history.

(56) **References Cited**

**U.S. PATENT DOCUMENTS**

3,070,280	A	12/1962	Richmond	
4,986,289	A	1/1991	McWhorter	
5,823,969	A	10/1998	Christy	
6,113,551	A	9/2000	Isaacs et al.	
6,790,304	B2	9/2004	Fox et al.	
D707,828	S *	6/2014	Ehninger	D24/187
D709,205	S *	7/2014	Ehninger	D24/187
D773,058	S *	11/2016	Takizawa	D24/187
D829,917	S *	10/2018	Duck	D24/187
2009/0014025	A1	1/2009	Lyulyev et al.	

**OTHER PUBLICATIONS**

“Disposable Monofilaments”, Disposable Monofilaments by AliMed; Published in Medline Catalog; <https://www.medline.com/catalog/catalog.jsp>; Unknown publication date but prior to filing of present application.  
“Medline Monofilaments”, Medline Monofilaments; Published in Medline Catalog; <https://www.medline.com/catalog/catalog.jsp>; Unknown Publication date but prior to filing of present application.  
Messersmith, Eric , “NonFinal OA”, U.S. Appl. No. 15/670,940; Filed Aug. 7, 2017; dated Jan. 23, 2019.

\* cited by examiner

*Primary Examiner* — Antoine Duval Davis

(74) *Attorney, Agent, or Firm* — Philip H. Burrus, IV

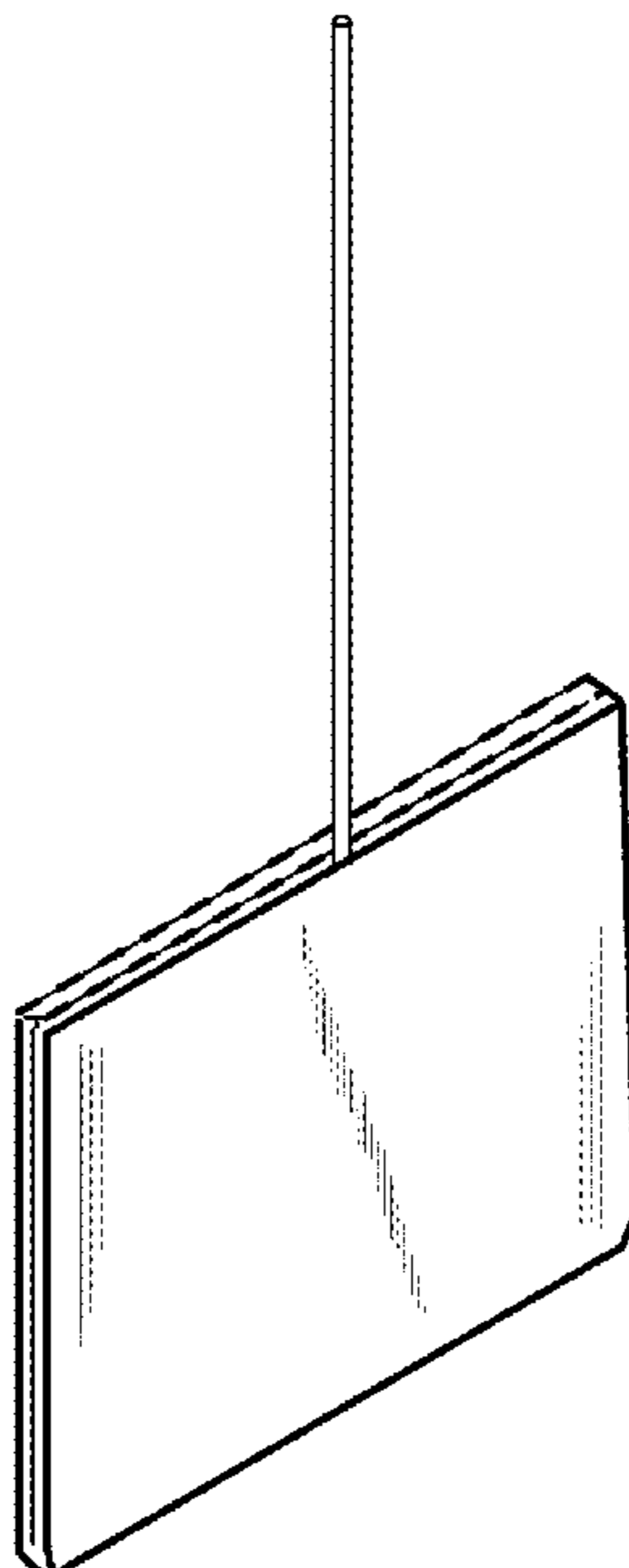
(57) **CLAIM**

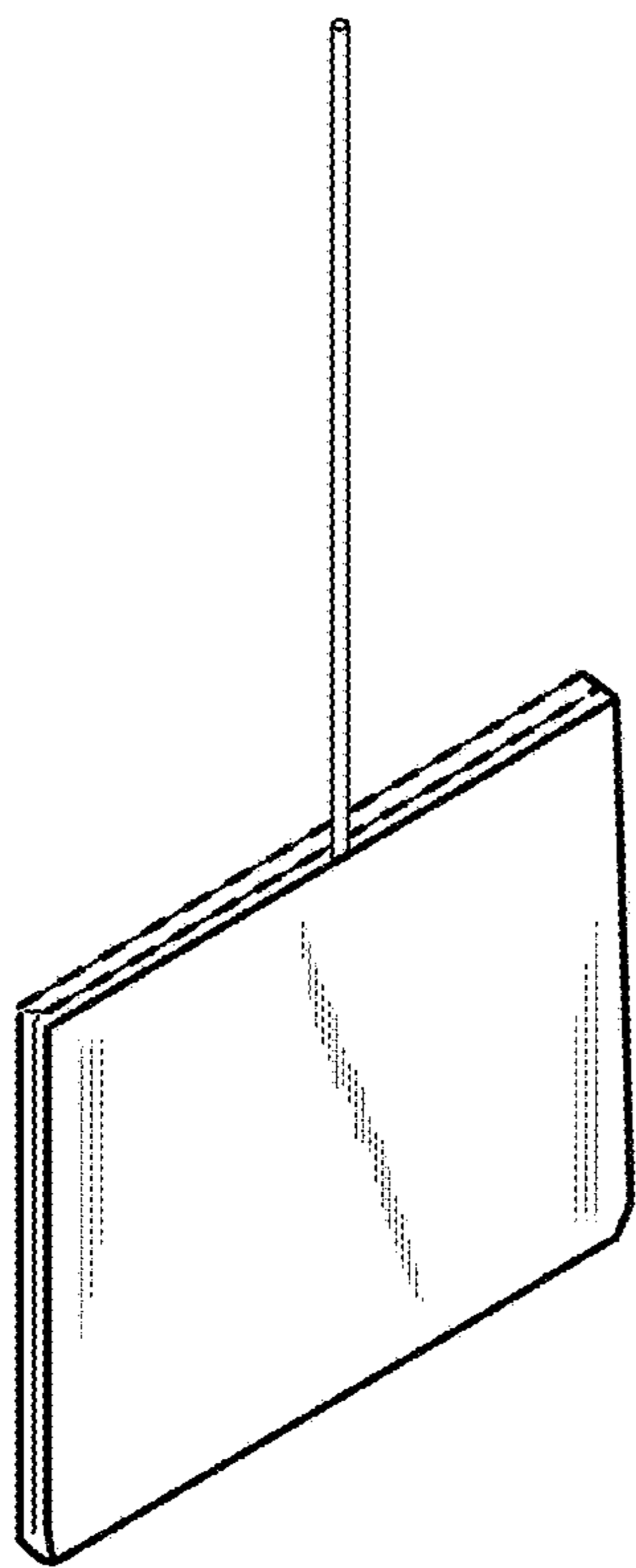
The ornamental design for testing device, as shown and described.

**DESCRIPTION**

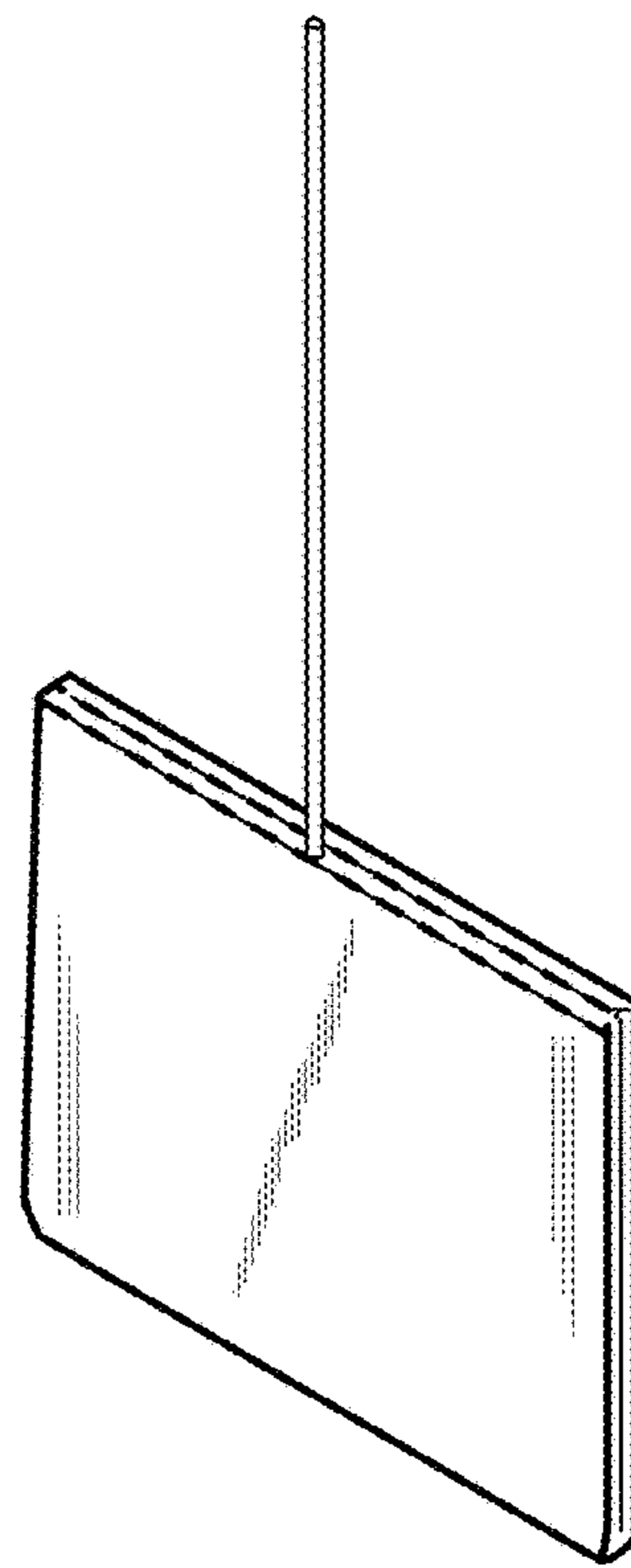
FIG. 1 is a testing device showing my new design;  
FIG. 2 is a second perspective view thereof;  
FIG. 3 is a front elevation view thereof;  
FIG. 4 is a rear elevation view thereof;  
FIG. 5 is a top plan view thereof;  
FIG. 6 is a bottom plan view thereof;  
FIG. 7 is a right elevation view thereof; and,  
FIG. 8 is a left elevation view thereof.  
The broken line shown in the drawings are perforations and form part of the claimed design.

**1 Claim, 3 Drawing Sheets**

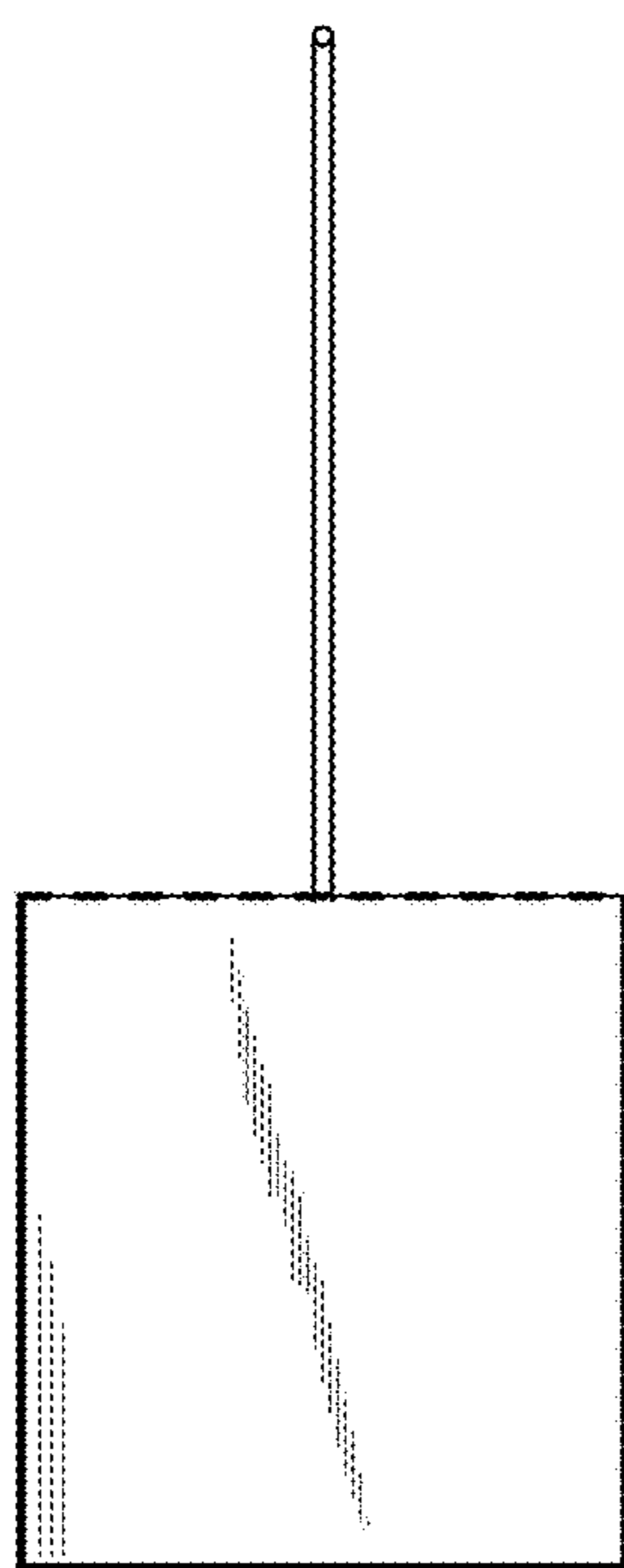




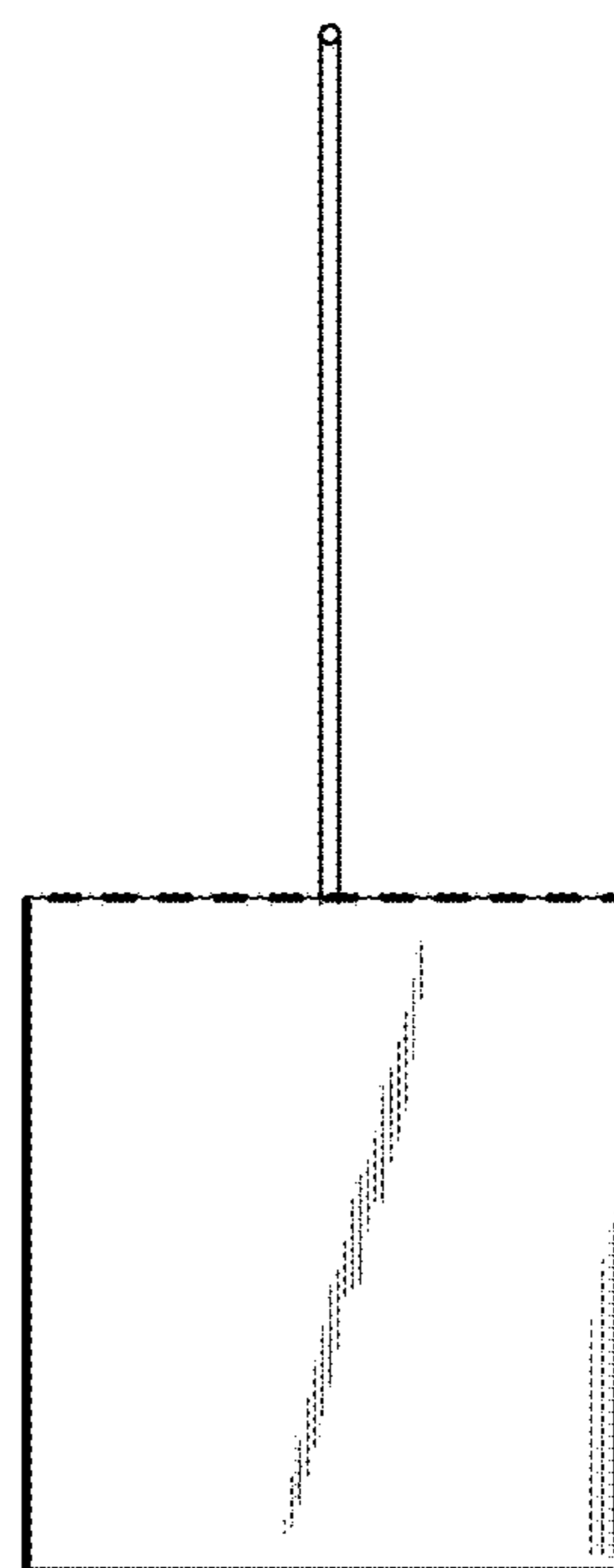
***FIG. 1***



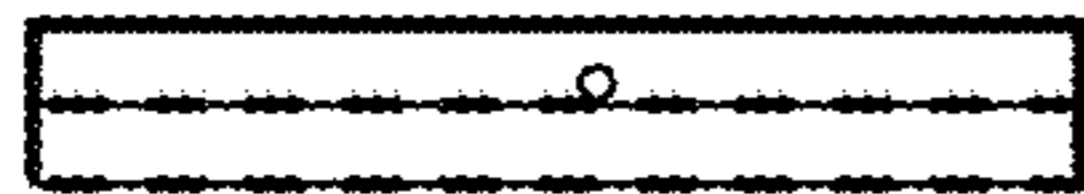
***FIG. 2***



***FIG. 3***



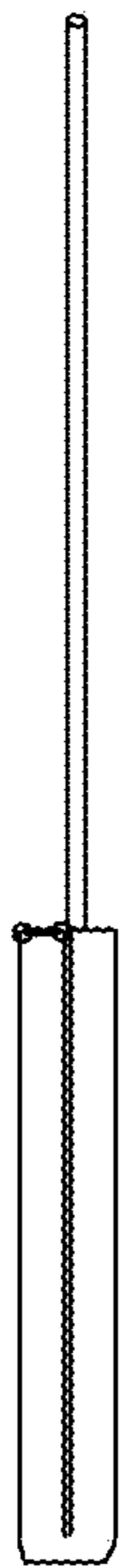
***FIG. 4***



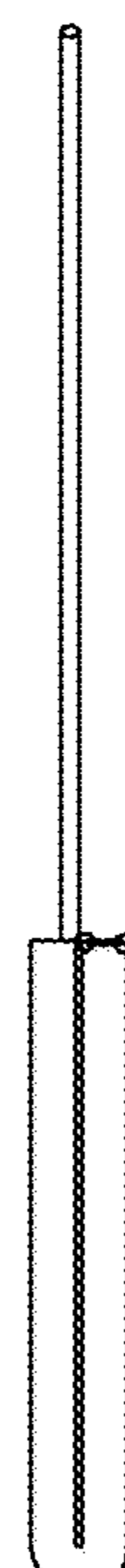
***FIG. 5***



***FIG. 6***



***FIG. 7***



***FIG. 8***