



US00D858777S

(12) **United States Design Patent**
Yancey et al.

(10) **Patent No.:** **US D858,777 S**

(45) **Date of Patent:** **** Sep. 3, 2019**

(54) **SURGICAL TABLE ATTACHMENT FRAME**

(71) Applicant: **Hy Innovation LLC**, Nashville, TN (US)

(72) Inventors: **Steele Yancey**, Nashville, TN (US);
Jeffrey Hodrick, Franklin, TN (US);
Evan Reese, Nashville, TN (US)

(73) Assignee: **Hy Innovation, LLC**, Nashville, TN (US)

(**) Term: **15 Years**

(21) Appl. No.: **29/626,612**

(22) Filed: **Nov. 17, 2017**

(51) **LOC (12) Cl.** **24-02**

(52) **U.S. Cl.**
USPC **D24/184**

(58) **Field of Classification Search**
USPC D24/128, 158, 159, 135, 183, 184, 190,
D24/191, 192; D8/373, 374, 381;
D25/61, 121, 132
CPC A61G 13/04; A61G 13/1295; A61G 7/015;
B60B 33/00
See application file for complete search history.

(56) **References Cited**

U.S. PATENT DOCUMENTS

- 1,393,996 A * 10/1921 Fregonara A63H 33/108
182/187
- 1,935,896 A * 11/1933 Wertz B25H 1/06
182/227
- D162,337 S * 3/1951 O’Gatty 482/38
- 3,228,399 A * 1/1966 Riedell A61B 17/42
128/845
- D350,203 S * 8/1994 Russell D24/184

(Continued)

OTHER PUBLICATIONS

Kato N Scale 9¾" Truss Bridge, Gray. Online, published date unknown. Retrieved on Dec. 15, 2018 from URL: <https://www.amazon.com/Kato-Scale-Truss-Bridge-Gray/dp/B0003K28B6>.*

(Continued)

Primary Examiner — Susan Bennett Hattan

Assistant Examiner — Omeed Agilee

(74) *Attorney, Agent, or Firm* — Waller Lansden Dortch & Davis, LLP; Blake M. Bernard

(57) **CLAIM**

What is claimed is the ornamental design for a surgical table attachment frame, as shown and described.

DESCRIPTION

FIG. 1 is a front perspective view showing a surgical table attachment frame of Applicant’s invention.

FIG. 2 is a back perspective view of a surgical table attachment frame of Applicant’s invention.

FIG. 3 is a front elevation view of a surgical table attachment frame of Applicant’s invention.

FIG. 4 is a top view of a surgical table attachment frame of Applicant’s invention.

FIG. 5 is a bottom view of a surgical table attachment frame of Applicant’s invention.

FIG. 6 is a back elevation view of a surgical table attachment frame of Applicant’s invention.

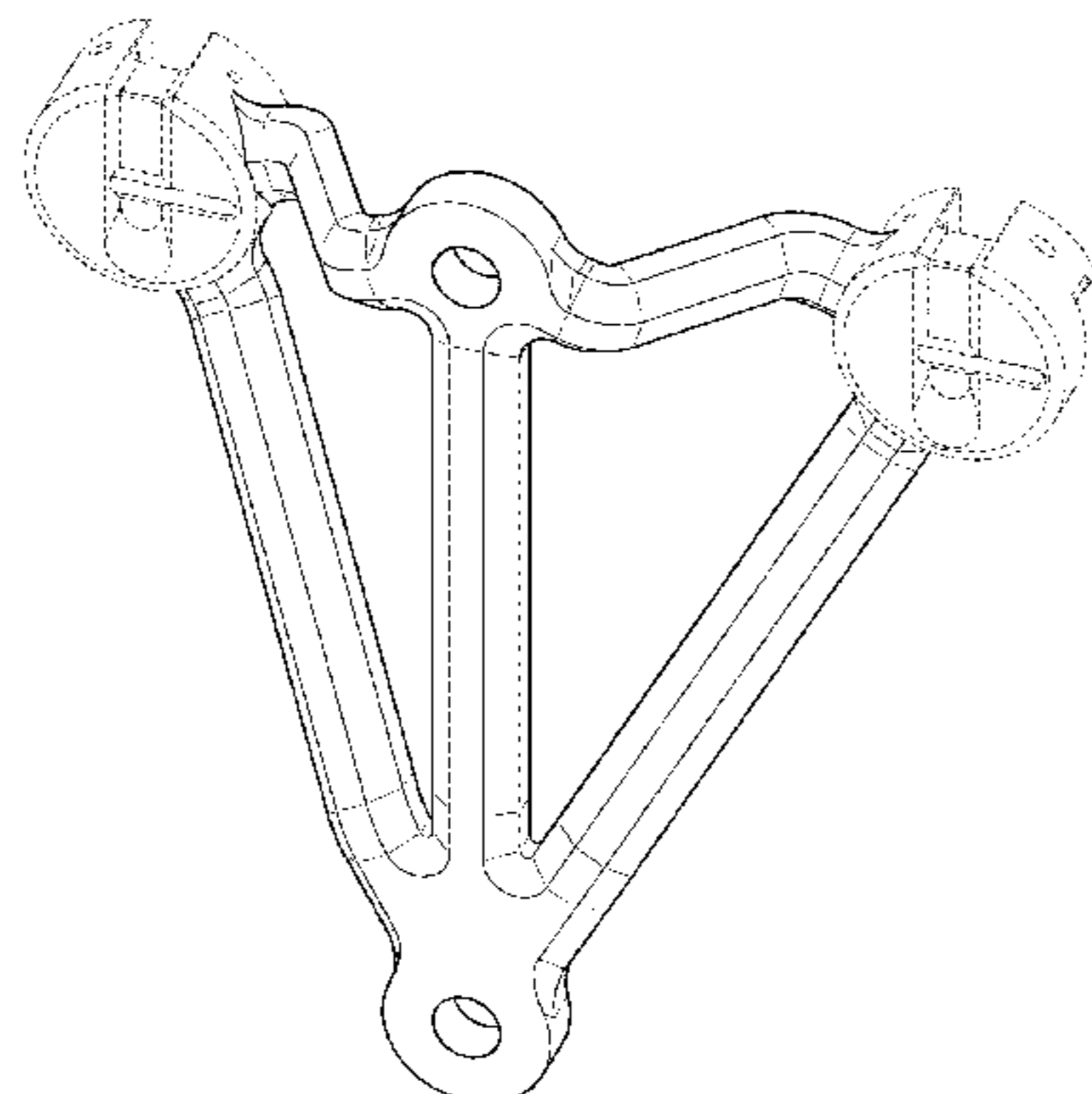
FIG. 7 is a left side elevation view of a surgical table attachment frame of Applicant’s invention.

FIG. 8 is a right side elevation view of a surgical table attachment frame of Applicant’s invention; and,

FIG. 9 is a perspective view of a surgical table attachment frame of Applicant’s invention shown mounted to a surgical table.

The dashed lines, including areas enclosed within them depict portions of the surgical table attachment frame that form no part of the claimed design. The dashed lines in FIG. 9 illustrating a surgical table depict environmental subject matter that forms no part of the claimed design.

1 Claim, 7 Drawing Sheets



(56)

References Cited

U.S. PATENT DOCUMENTS

D373,719	S	*	9/1996	Lin	D8/373
D401,797	S	*	12/1998	Zelman	D6/524
D418,230	S	*	12/1999	Linsley	D25/61
D419,691	S	*	1/2000	Fisher	D25/61
D561,335	S	*	2/2008	Pinter	D24/106
D579,111	S	*	10/2008	Pinter	D24/106
D604,150	S	*	11/2009	Lee	D12/114
D605,756	S	*	12/2009	Savage	D24/128
D679,016	S	*	3/2013	Jarva	D24/158
D722,378	S	*	2/2015	Stockwell	D24/135
D735,861	S	*	8/2015	Embleton	D24/155
D743,541	S	*	11/2015	Serafini	D24/128
D761,640	S	*	7/2016	Cave	D8/380
D789,526	S	*	6/2017	Serafini	D24/128
D803,292	S	*	11/2017	Willenborg	D16/237
2007/0251011	A1		11/2007	Matta et al.		

OTHER PUBLICATIONS

Innomed Hip Instruments, 25 pages, http://www.innomed.net/hip_anterior_approach.htm; Dec. 21, 2014.

* cited by examiner

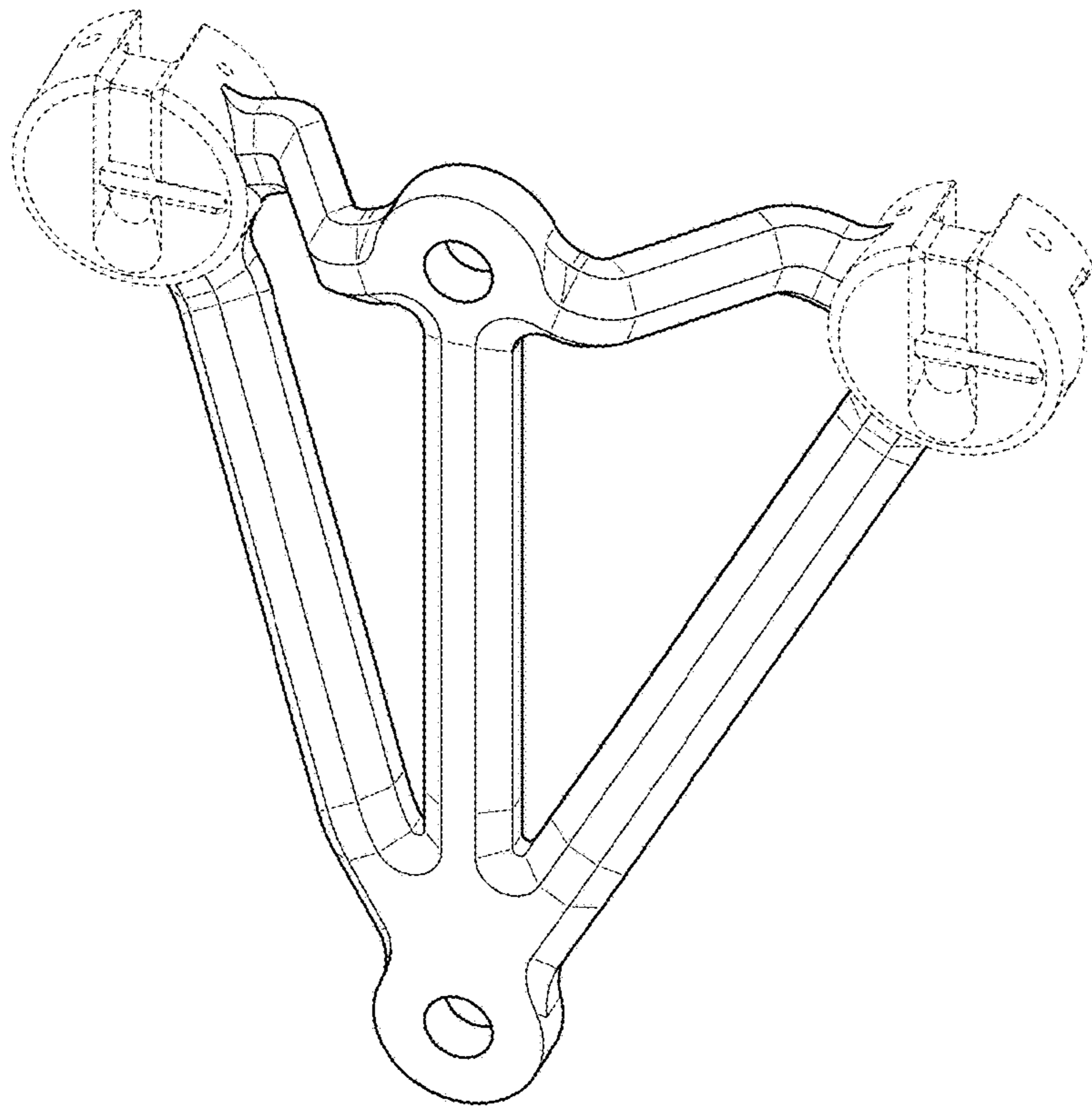


FIG. 1

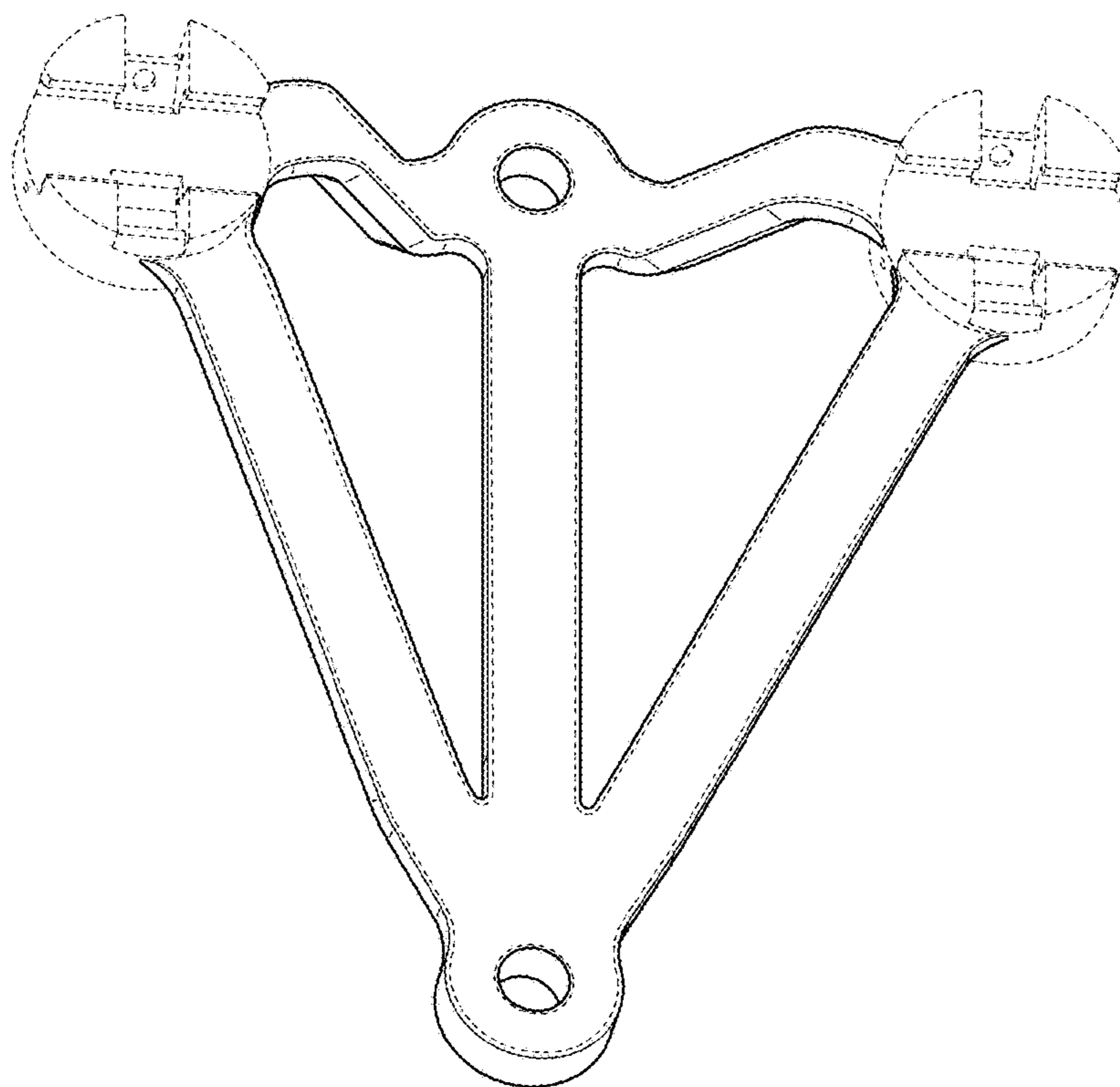


FIG. 2

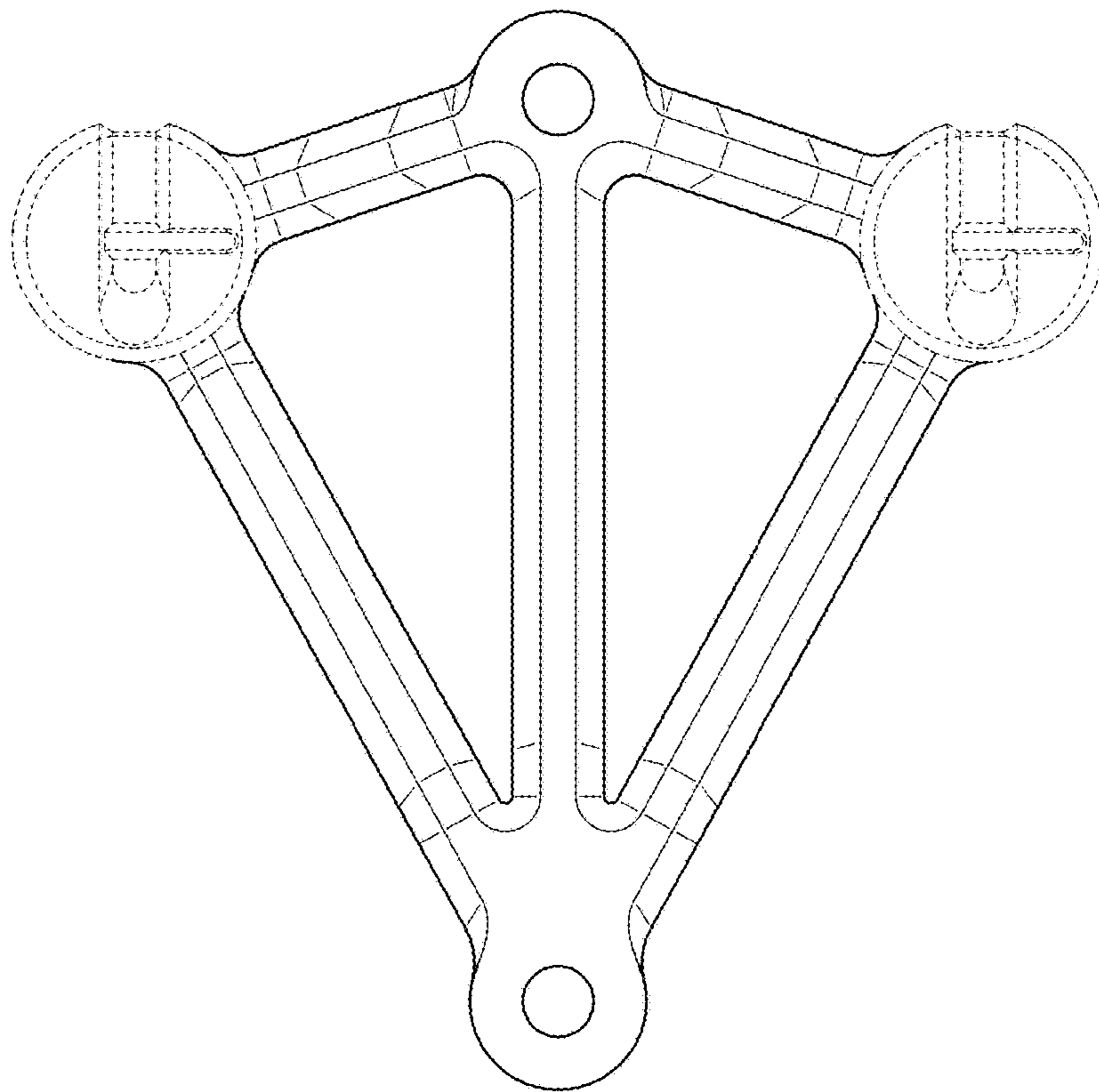


FIG. 3

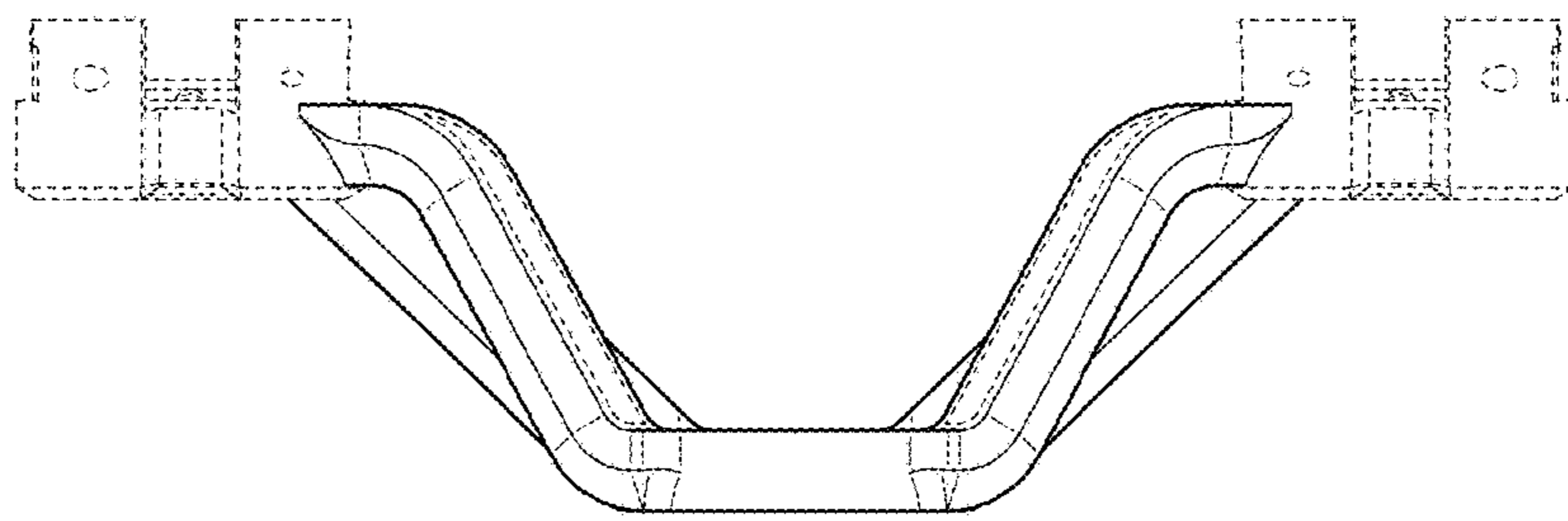


FIG. 4

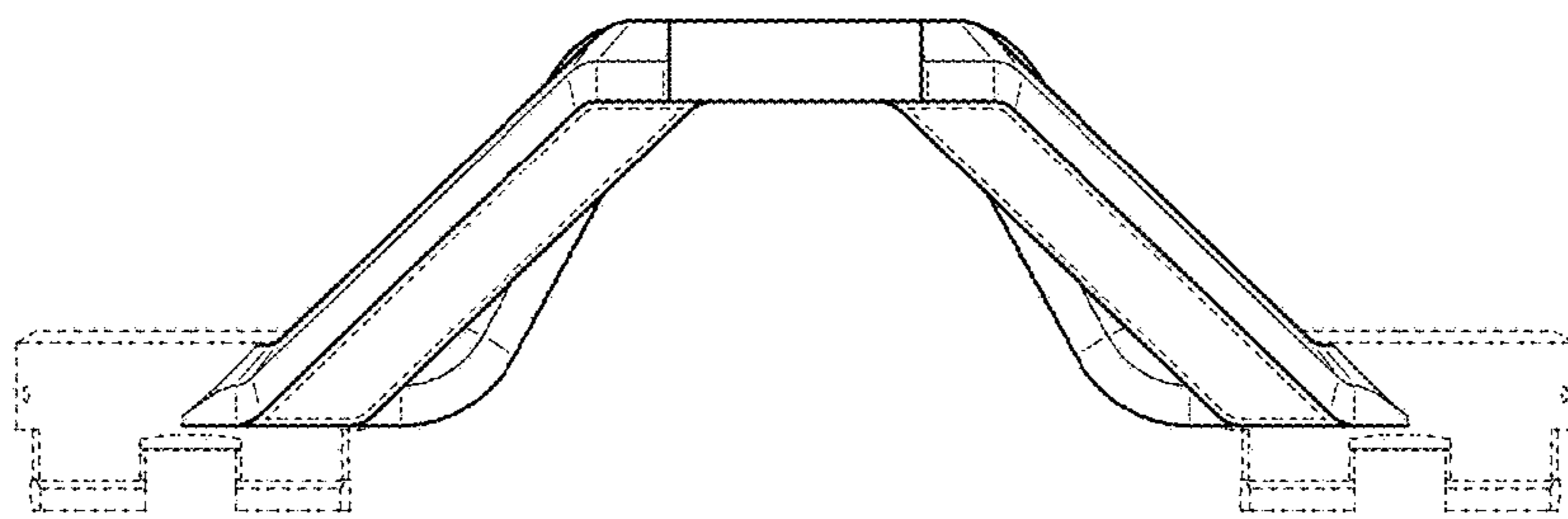


FIG. 5

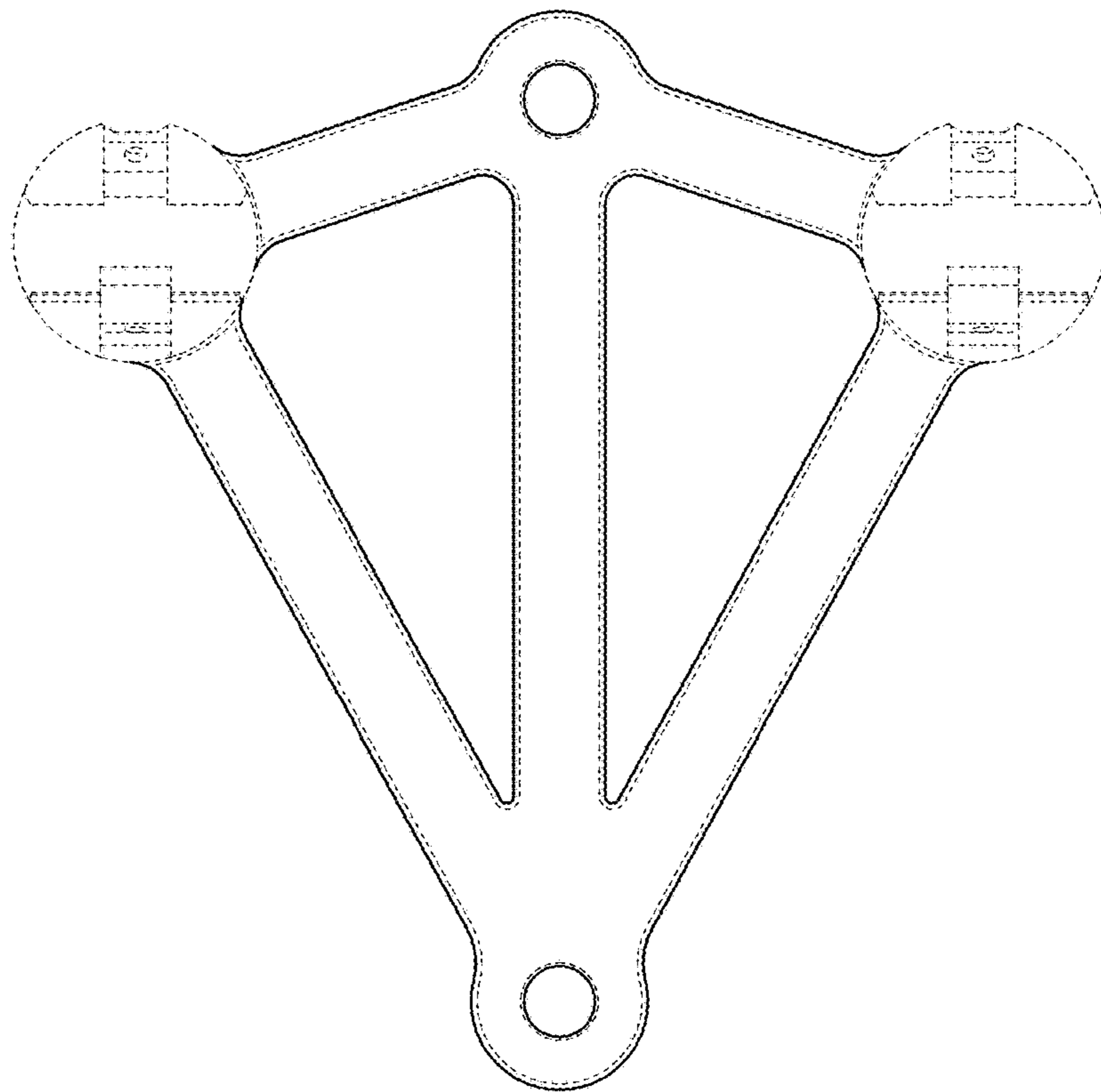


FIG. 6

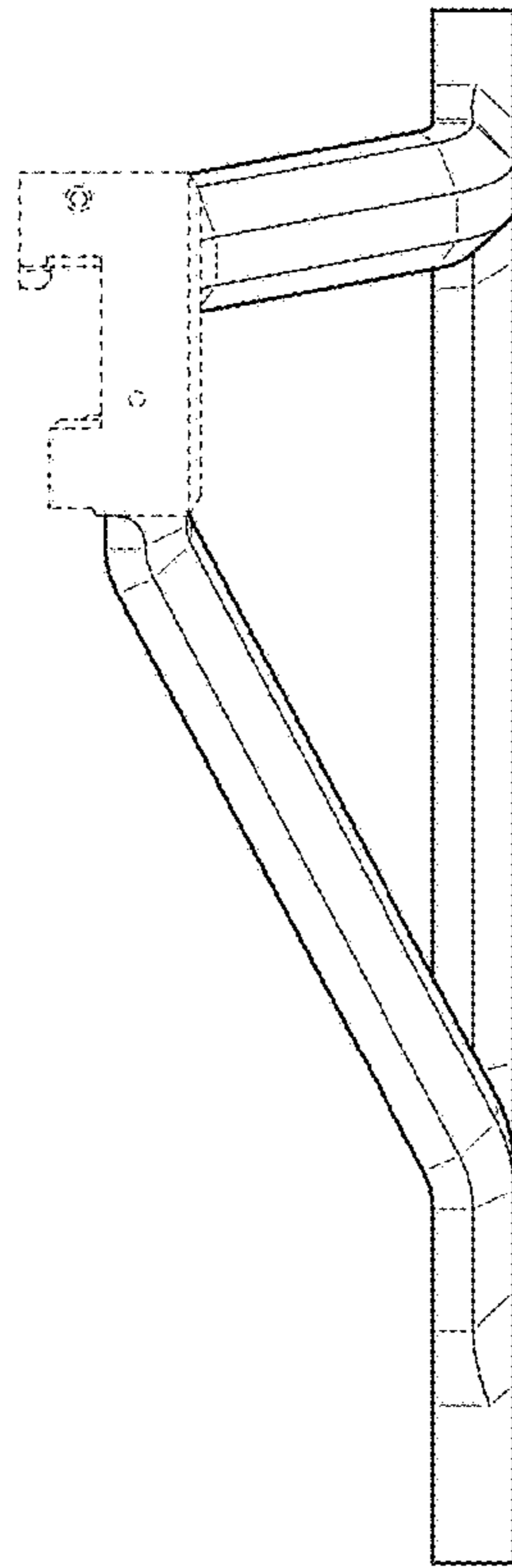


FIG. 7

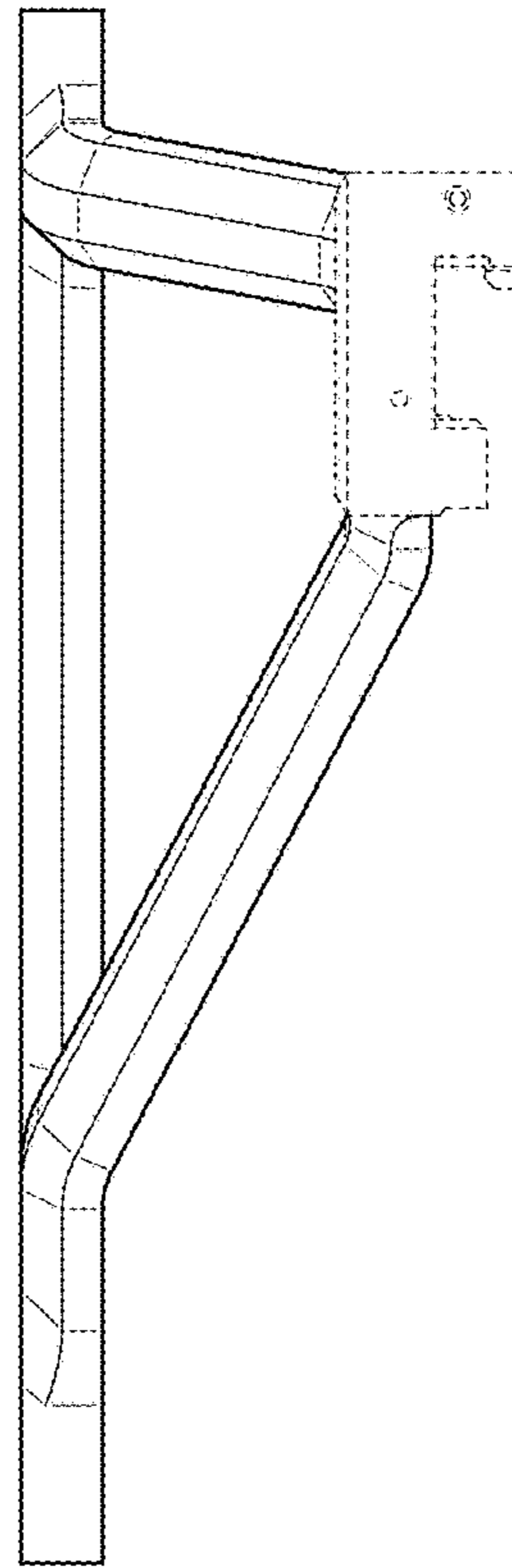


FIG. 8

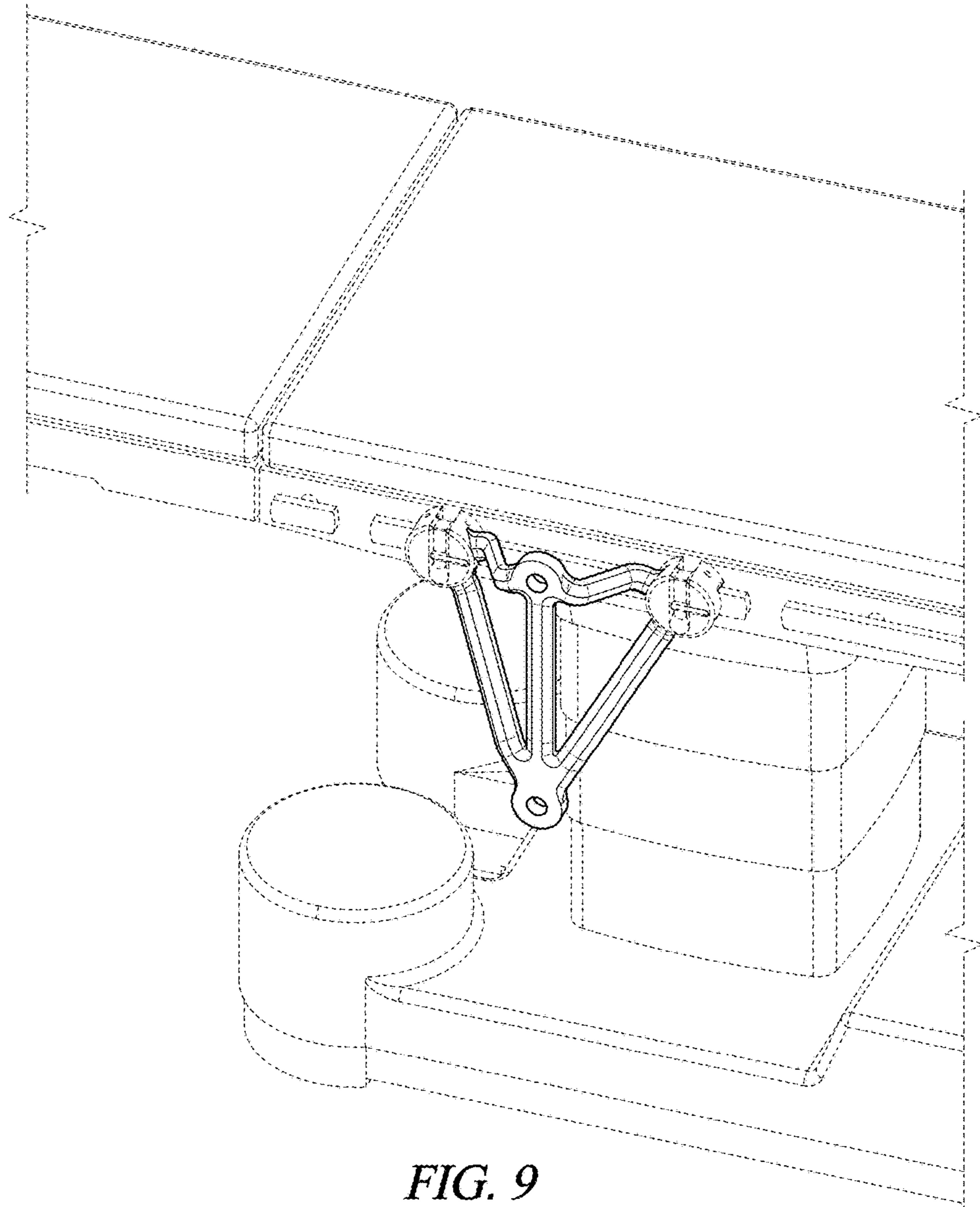


FIG. 9