



US00D858774S

(12) **United States Design Patent** (10) **Patent No.:** **US D858,774 S**
Parsons (45) **Date of Patent:** **** *Sep. 3, 2019**

(54) **ADJUSTABLE TOURNIQUET**
(71) Applicant: **Derek Parsons**, Las Vegas, NV (US)
(72) Inventor: **Derek Parsons**, Las Vegas, NV (US)
(*) Notice: This patent is subject to a terminal disclaimer.
(**) Term: **15 Years**
(21) Appl. No.: **29/638,954**
(22) Filed: **Mar. 2, 2018**
(51) **LOC (12) Cl.** **24-01**
(52) **U.S. Cl.**
USPC **D24/169**
(58) **Field of Classification Search**
USPC D24/143, 165, 167, 169, 186, 189, 200
CPC A61B 17/1327; A61B 17/1322; A61B 17/1325; B63B 35/7933; B63B 2035/794
See application file for complete search history.

(56) **References Cited**
U.S. PATENT DOCUMENTS
D649,642 S * 11/2011 Johnson A61B 17/1322
D733,305 S * 6/2015 Miyashita D24/169
D791,951 S * 7/2017 Henderson D24/169
D810,300 S * 2/2018 Parsons D24/169
D824,522 S * 7/2018 Brown A61B 17/1322
D825,752 S * 8/2018 Dimino D24/143

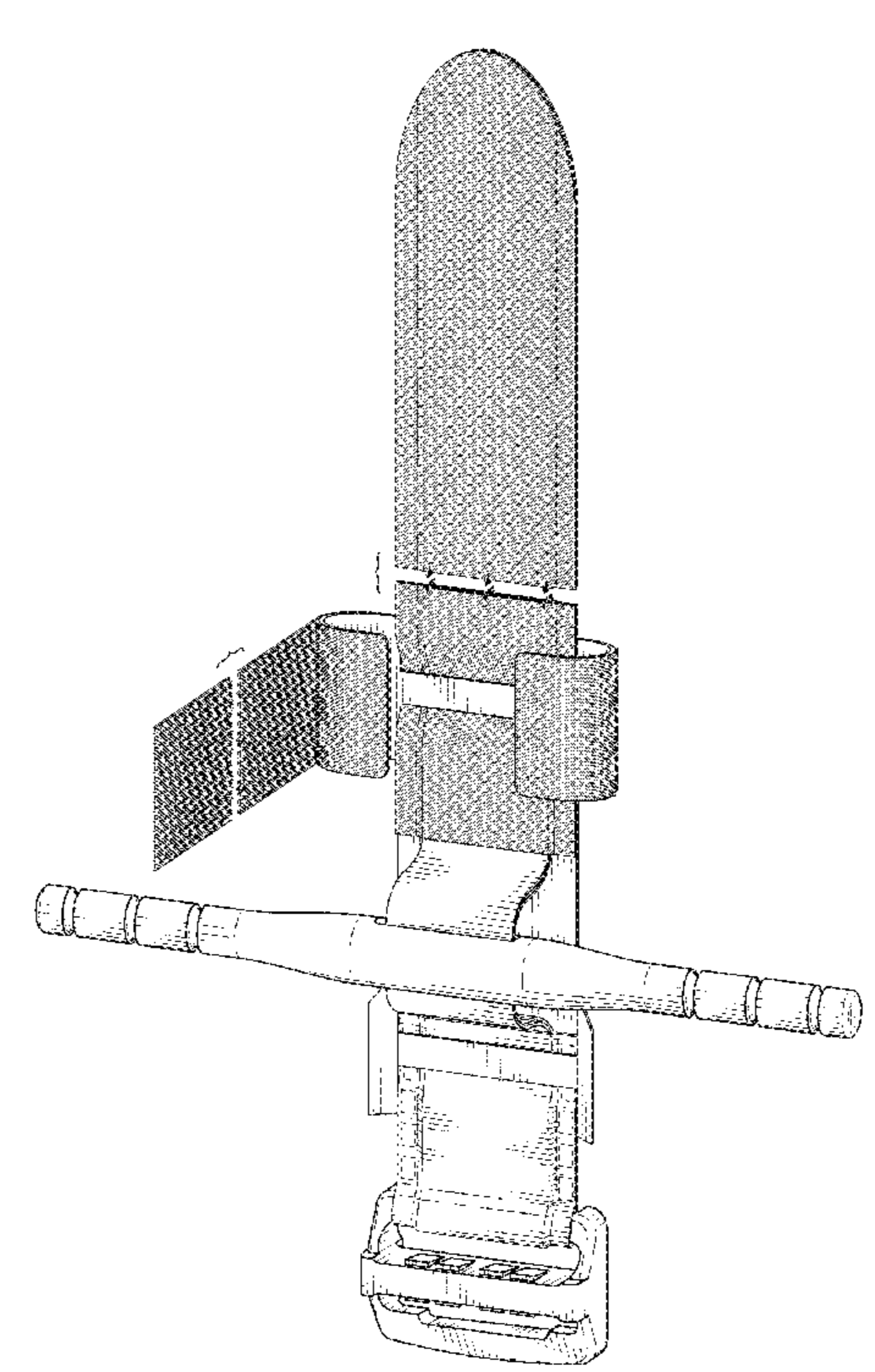
2015/0216536 A1* 8/2015 Hopman A61B 17/1322
606/202
2017/0035440 A1* 2/2017 Hopman A61F 5/0102
2018/0153557 A1* 6/2018 Dimino A61B 17/1325
2018/0228497 A1* 8/2018 Dimino A61F 15/006
2018/0317935 A1* 11/2018 Engwall A61B 17/1327
2018/0353189 A1* 12/2018 Goolsby A44B 11/18

* cited by examiner
Primary Examiner — Anhdao Doan
(74) *Attorney, Agent, or Firm* — The Rapacke Law Group, P.A.

(57) **CLAIM**
The ornamental design for an adjustable tourniquet, as shown and described.

DESCRIPTION
FIG. 1 is a front perspective view of the adjustable tourniquet showing the new design;
FIG. 2 is a front elevational view of the adjustable tourniquet thereof;
FIG. 3 is a rear elevational view of the adjustable tourniquet thereof;
FIG. 4 is a left side elevational view of the adjustable tourniquet thereof;
FIG. 5 is a right side elevational view of the adjustable tourniquet thereof;
FIG. 6 is a top plan view of the adjustable tourniquet thereof; and,
FIG. 7 is a bottom plan view of the adjustable tourniquet thereof.
The broken lines in the drawings illustrate environmental subject matter and form no part of the claimed design.

1 Claim, 6 Drawing Sheets



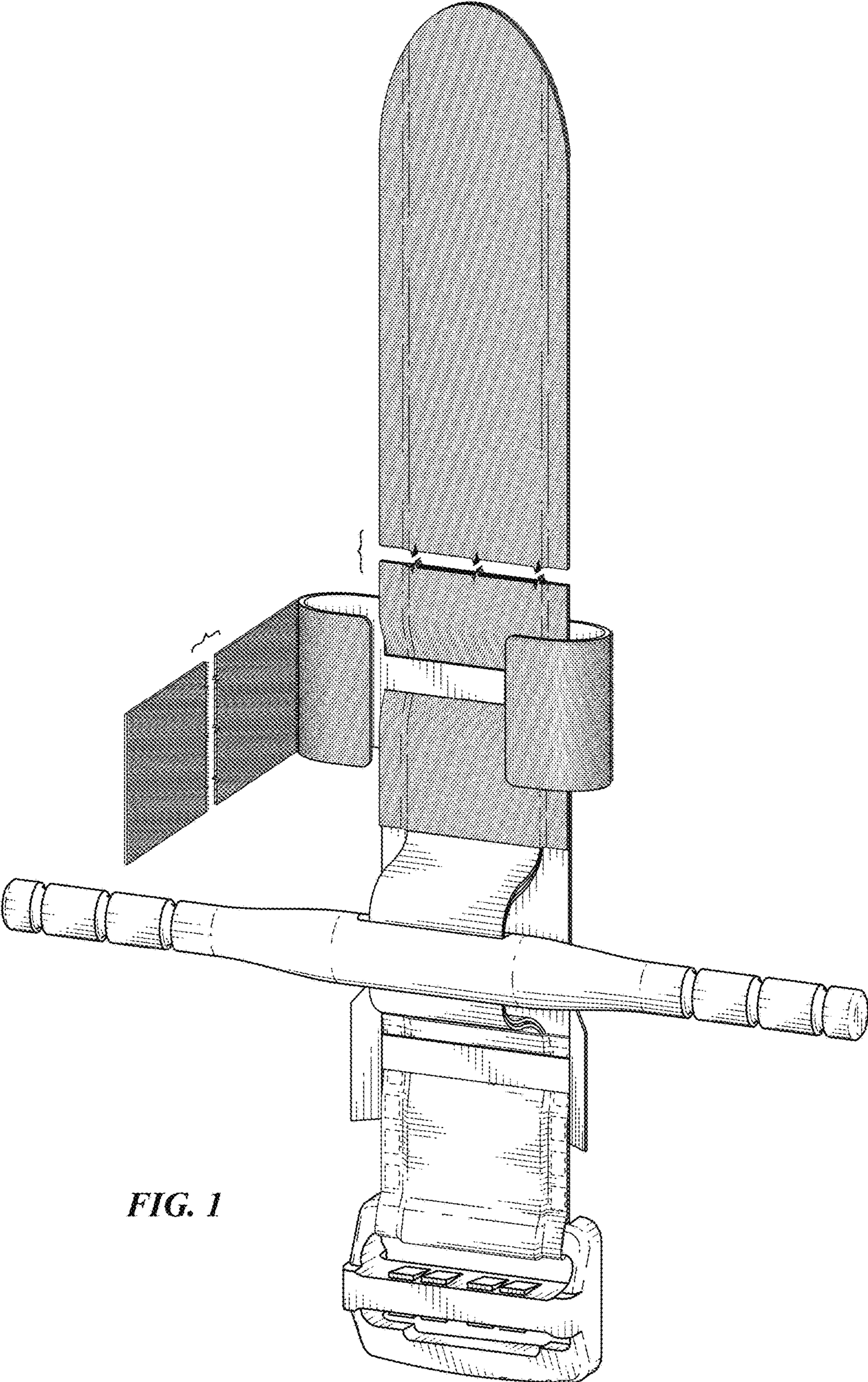


FIG. 1

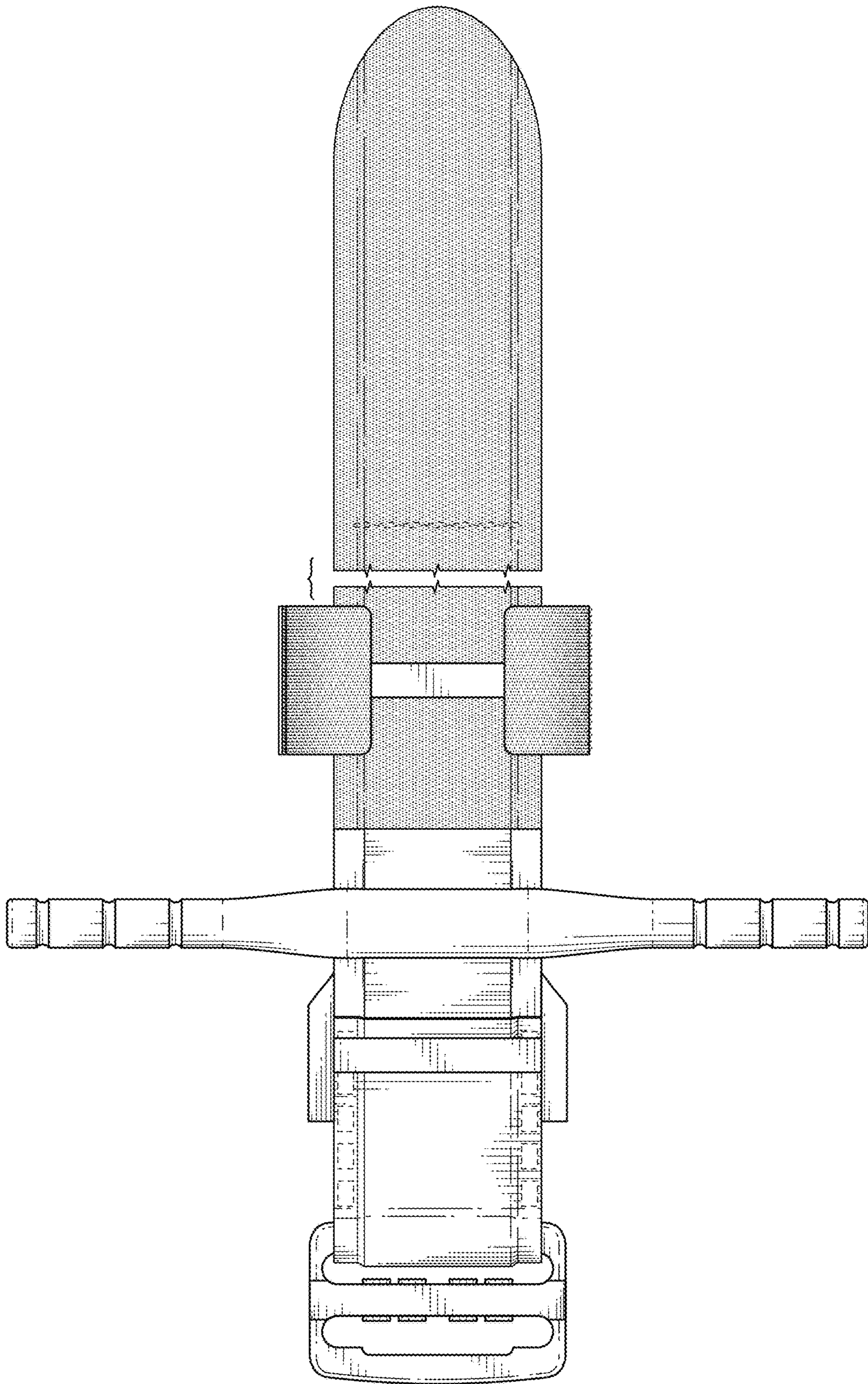


FIG. 2

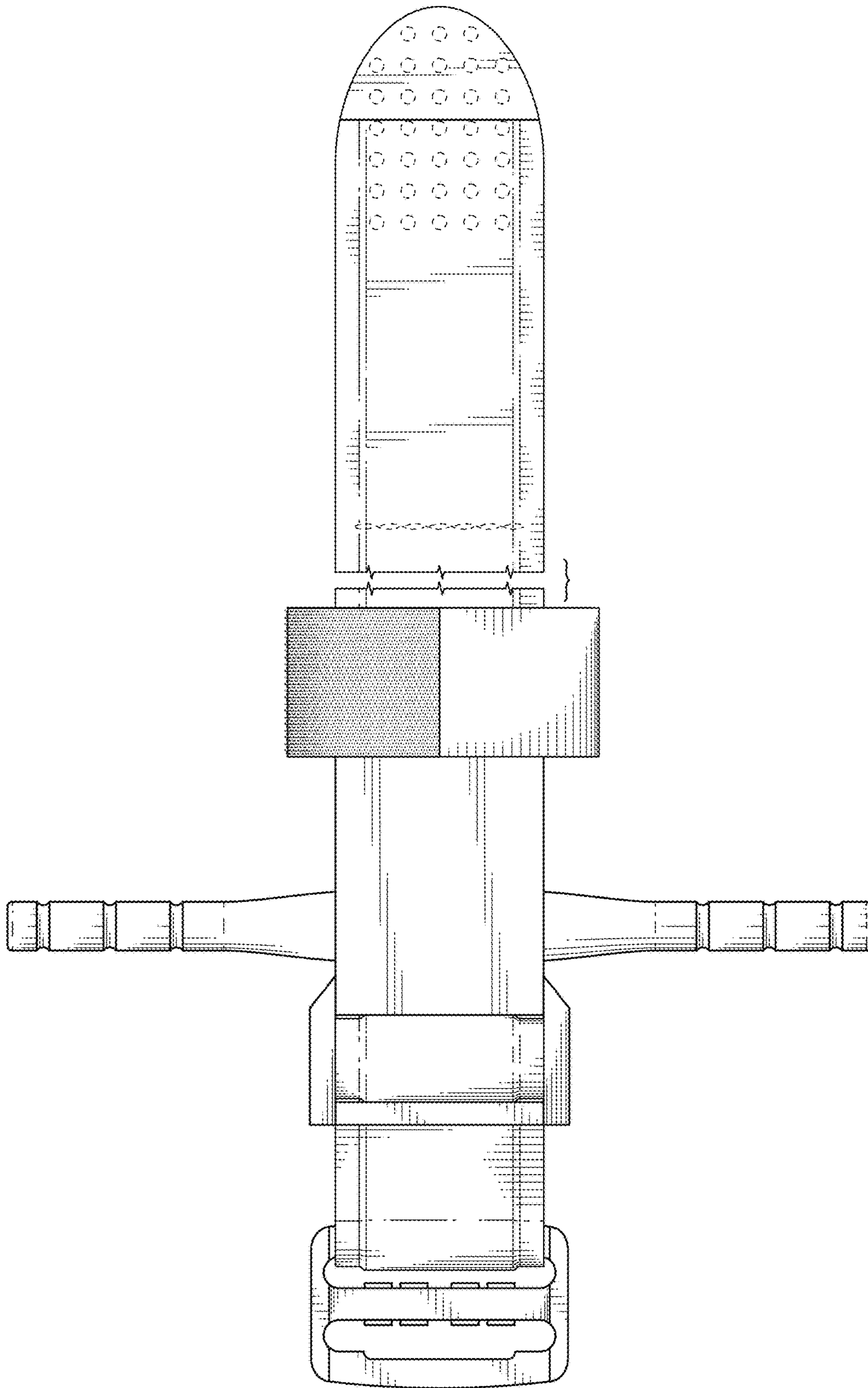


FIG. 3

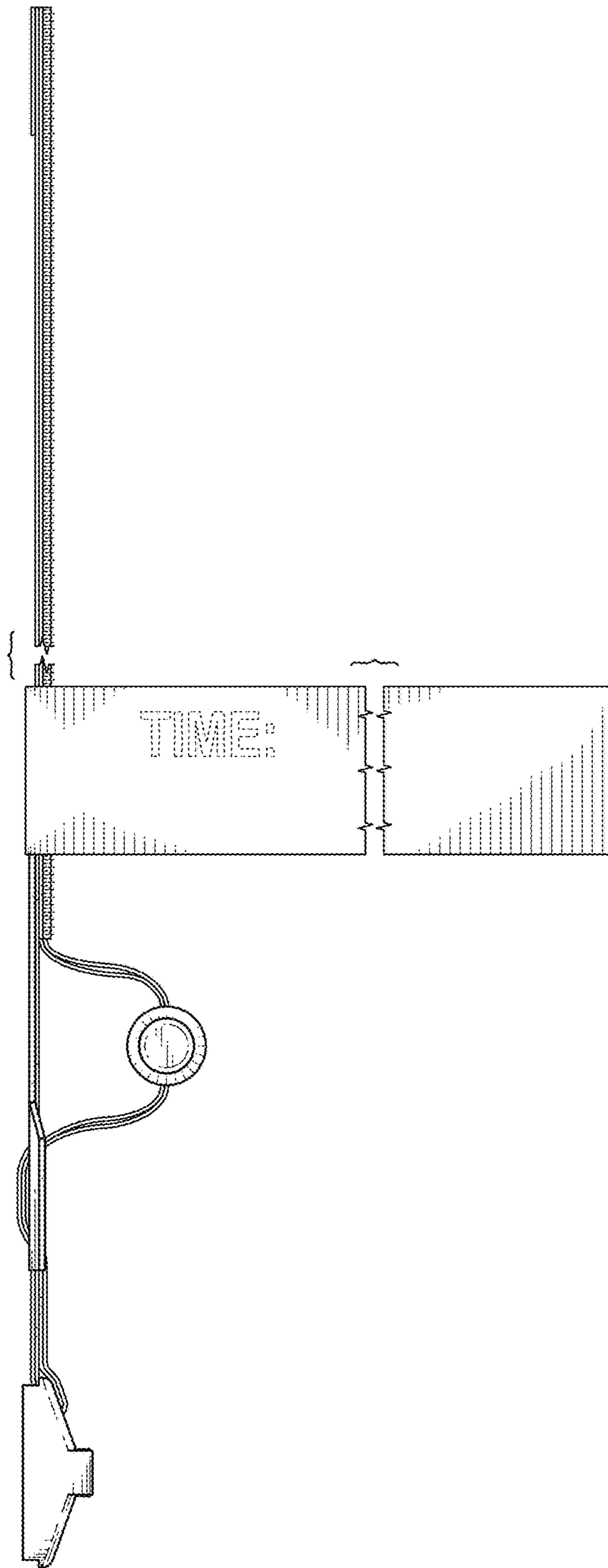


FIG. 4

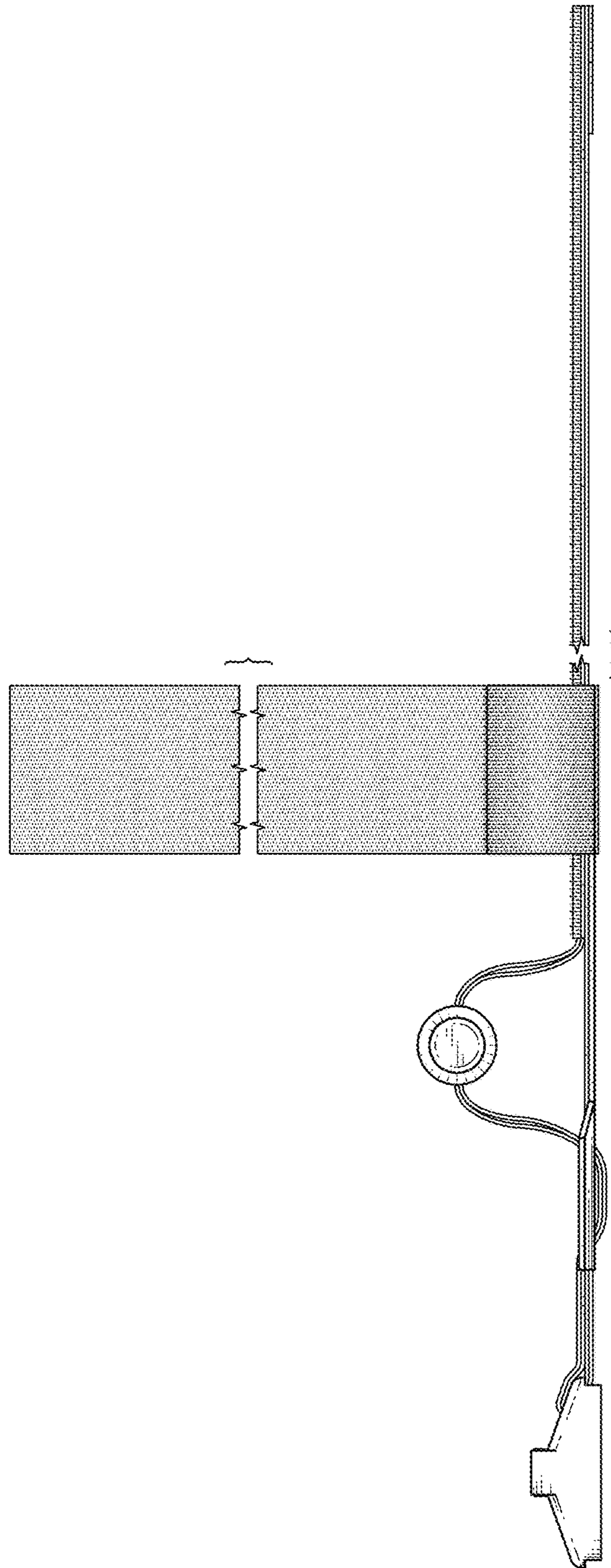


FIG. 5

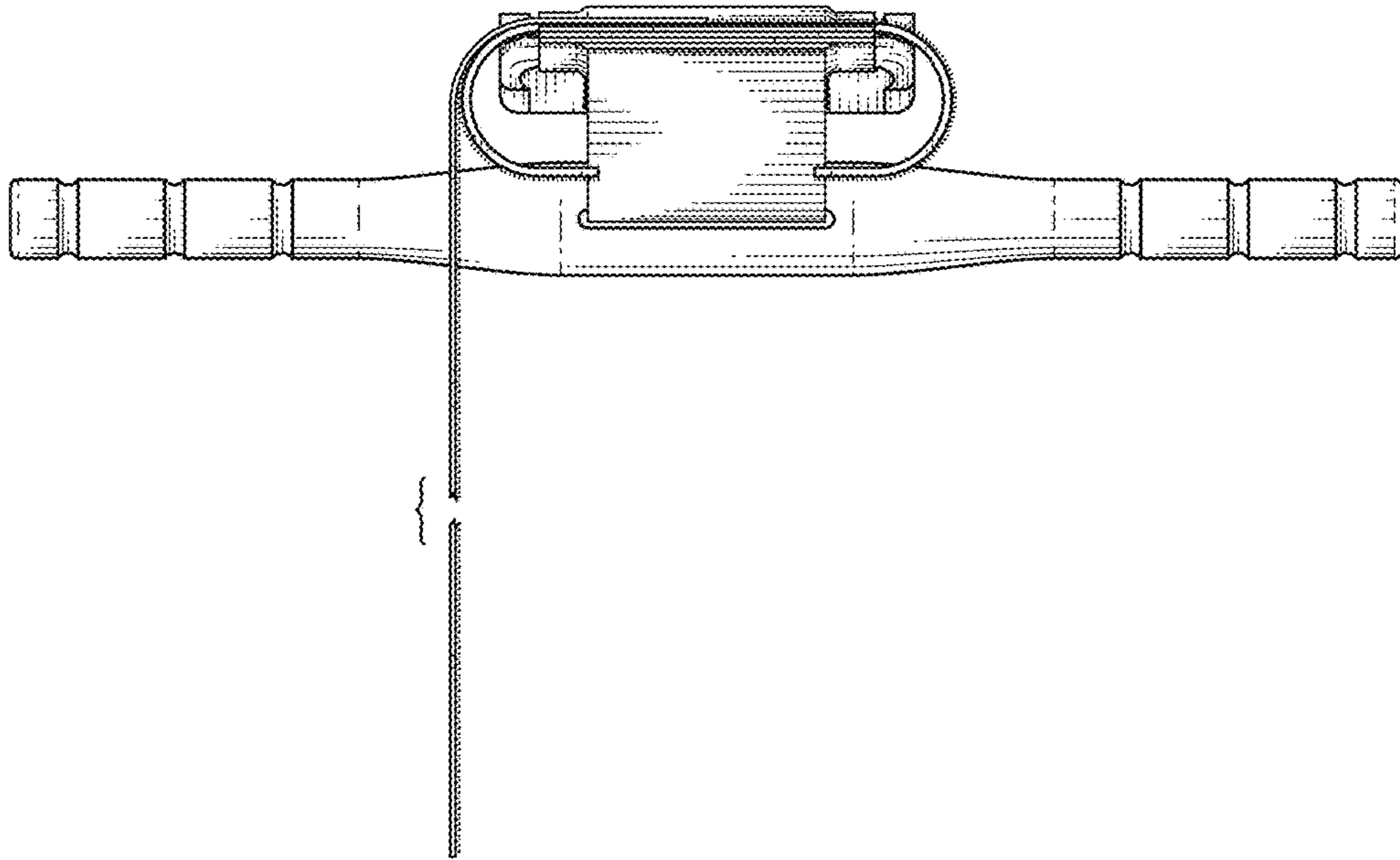


FIG. 6

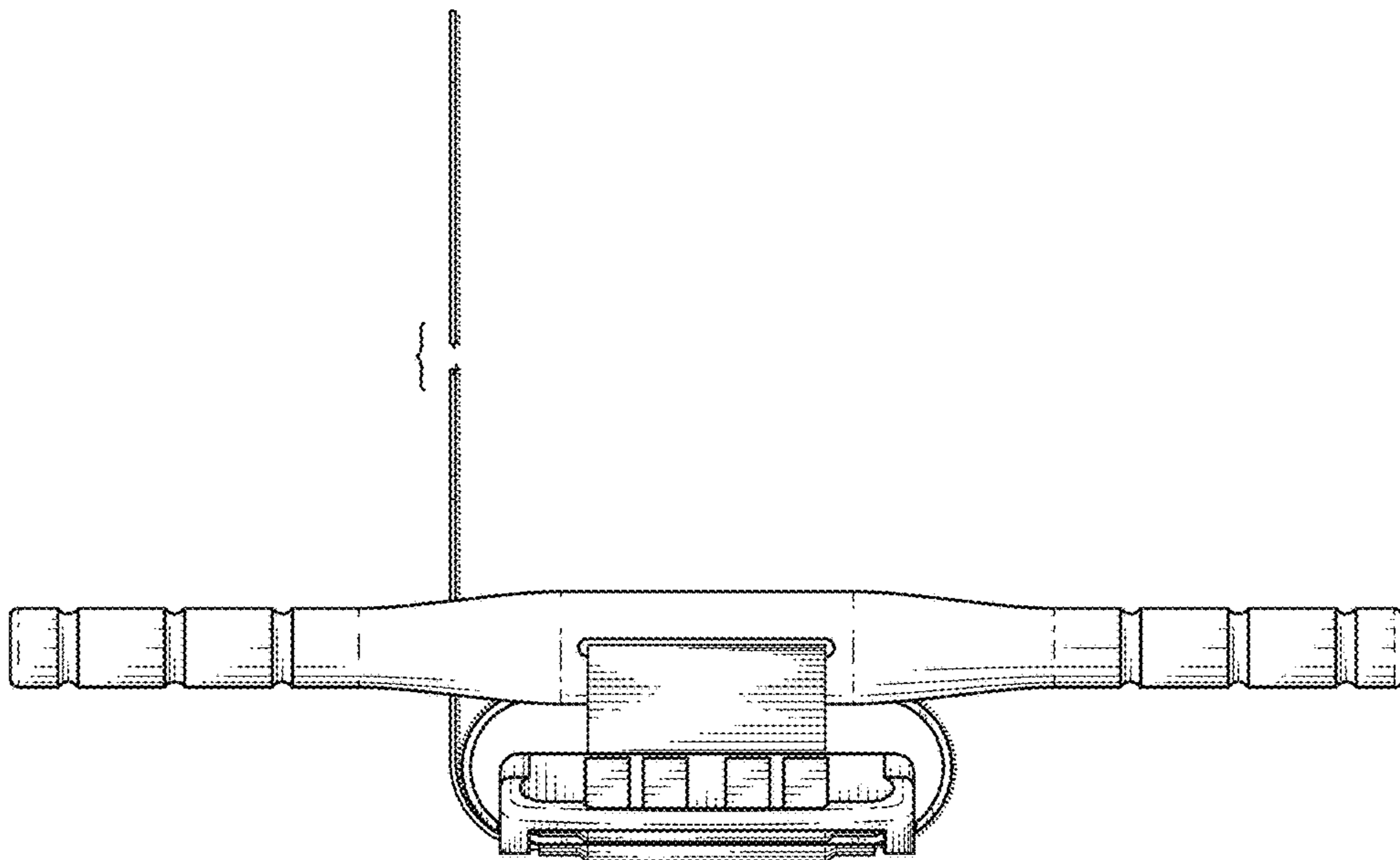


FIG. 7