



US00D858772S

(12) **United States Design Patent** (10) **Patent No.:** **US D858,772 S**
Termanini et al. (45) **Date of Patent:** **** Sep. 3, 2019**

(54) **BALL AND STEM COMPONENT**
(71) Applicant: **JOINT INNOVATION TECHNOLOGY, LLC.**, Boca Raton, FL (US)
(72) Inventors: **Zafer Termanini**, Port Saint Lucie, FL (US); **George A. Diamantoni**, Boca Raton, FL (US); **Brian Vanhiel**, Smyrna, GA (US); **Taylor Davis**, Atlanta, GA (US)
(73) Assignee: **Joint Innovation Technology, LLC**, Boca Raton, FL (US)
(**) Term: **15 Years**
(21) Appl. No.: **29/626,193**
(22) Filed: **Nov. 15, 2017**
(51) **LOC (12) Cl.** **24-03**
(52) **U.S. Cl.**
USPC **D24/155**
(58) **Field of Classification Search**
USPC D24/155
(Continued)

(56) **References Cited**
U.S. PATENT DOCUMENTS
4,619,659 A * 10/1986 Witzel A61F 2/30907
623/23.36
5,800,555 A * 9/1998 Gray, III A61F 2/32
623/22.2
(Continued)

Primary Examiner — Charles D Hanson
PA
(74) *Attorney, Agent, or Firm* — Norris McLaughlin,

(57) **CLAIM**
The ornamental design for a ball and stem component, as shown and described.

DESCRIPTION

FIG. 1 is a front perspective view of a first embodiment of a ball and stem component;

FIG. 2 is a front elevational view thereof;
FIG. 3 is a rear elevational view thereof;
FIG. 4 is a first side elevational view thereof;
FIG. 5 is a second side elevational view thereof;
FIG. 6 is a top plan view thereof; and
FIG. 7 is a bottom plan view thereof.
FIG. 8 is a front perspective view of a second embodiment of a ball and stem component;
FIG. 9 is a front elevational view thereof;
FIG. 10 is a rear elevational view thereof;
FIG. 11 is a first side elevational view thereof;
FIG. 12 is a second side elevational view thereof;
FIG. 13 is a top plan view thereof; and
FIG. 14 is a bottom plan view thereof.
FIG. 15 is a front perspective view of a third embodiment of a ball and stem component;
FIG. 16 is a front elevational view thereof;
FIG. 17 is a rear elevational view thereof;
FIG. 18 is a first side elevational view thereof;
FIG. 19 is a second side elevational view thereof;
FIG. 20 is a top plan view thereof; and
FIG. 21 is a bottom plan view thereof.
FIG. 22 is a front perspective view of a fourth embodiment of a ball and stem component;
FIG. 23 is a front elevational view thereof;
FIG. 24 is a rear elevational view thereof;
FIG. 25 is a first side elevational view thereof;
FIG. 26 is a second side elevational view thereof;
FIG. 27 is a top plan view thereof; and
FIG. 28 is a bottom plan view thereof.
FIG. 29 is a front perspective view of a fifth embodiment of a ball and stem component;
FIG. 30 is a front elevational view thereof;
FIG. 31 is a rear elevational view thereof;
FIG. 32 is a first side elevational view thereof;
FIG. 33 is a second side elevational view thereof;
FIG. 34 is a top plan view thereof; and
FIG. 35 is a bottom plan view thereof.
FIG. 36 is a front perspective view of a sixth embodiment of a ball and stem component;
FIG. 37 is a front elevational view thereof;
FIG. 38 is a rear elevational view thereof;
FIG. 39 is a first side elevational view thereof;
FIG. 40 is a second side elevational view thereof;

(Continued)

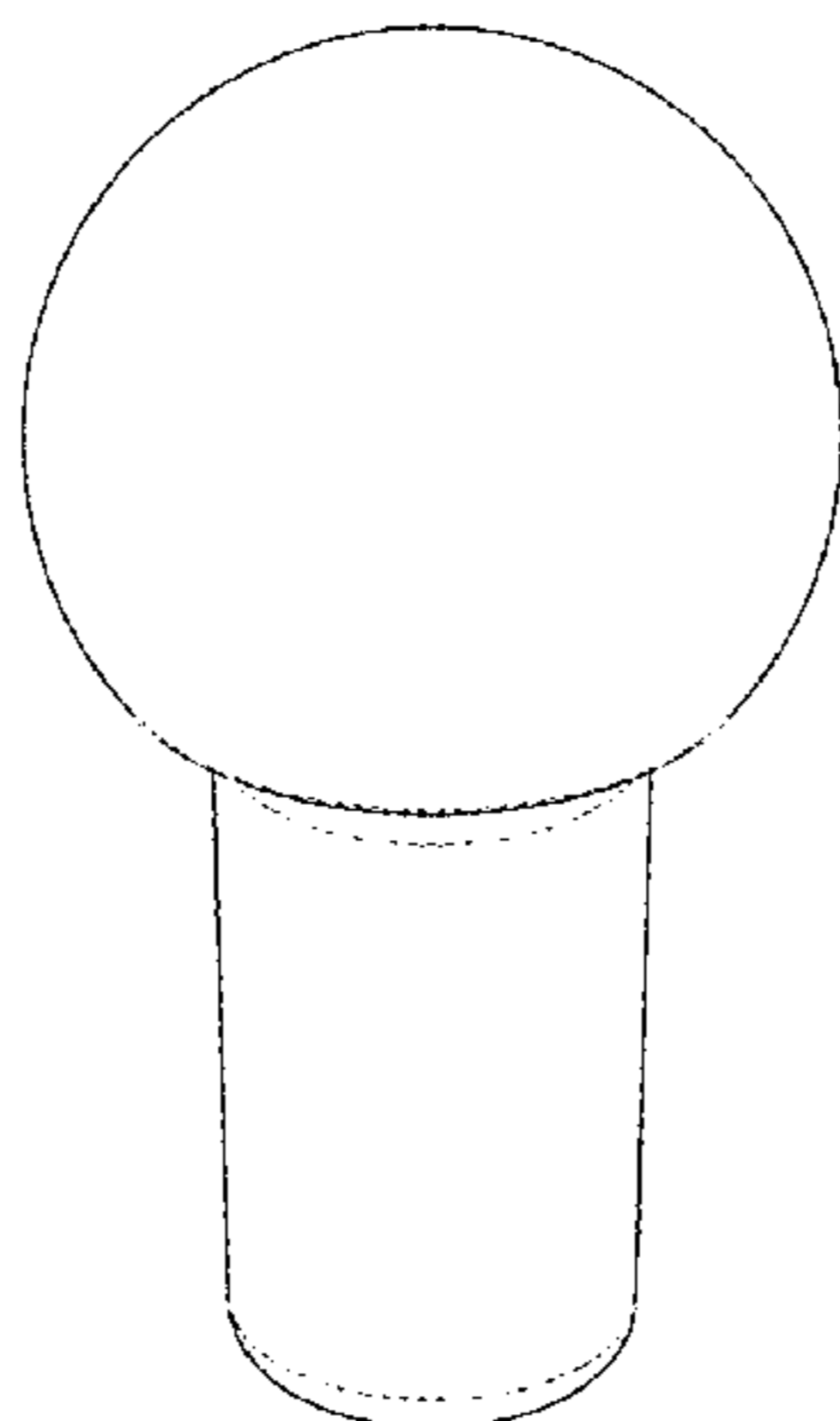


FIG. 41 is a top plan view thereof; and
FIG. 42 is a bottom plan view thereof.
FIG. 43 is a front perspective view of a seventh embodiment of a ball and stem component;
FIG. 44 is a front elevational view thereof;
FIG. 45 is a rear elevational view thereof;
FIG. 46 is a first side elevational view thereof;
FIG. 47 is a second side elevational view thereof;
FIG. 48 is a top plan view thereof; and
FIG. 49 is a bottom plan view thereof.
FIG. 50 is a front perspective view of a eighth embodiment of a ball and stem component;
FIG. 51 is a front elevational view thereof;
FIG. 52 is a rear elevational view thereof;
FIG. 53 is a first side elevational view thereof;
FIG. 54 is a second side elevational view thereof;
FIG. 55 is a top plan view thereof; and,
FIG. 56 is a bottom plan view thereof.

1 Claim, 56 Drawing Sheets

(58) **Field of Classification Search**

CPC A61F 2/80; A61F 2/60; A61F 2/76; A61F 2/68; A61F 2/64; A61F 2220/0025; A61F 2220/41; A61F 2002/607; A61F 2002/802; A61F 2002/5007

See application file for complete search history.

(56) **References Cited**

U.S. PATENT DOCUMENTS

2003/0229398	A1*	12/2003	Iesaka	A61F 2/30742 623/22.17
2005/0004680	A1*	1/2005	Saladino	A61F 2/3609 623/23.14
2006/0167557	A1*	7/2006	Terrill	A61F 2/3609 623/22.43
2006/0188845	A1*	8/2006	Serafin, Jr.	A61C 8/0048 433/173
2009/0157191	A1*	6/2009	Collins	A61F 2/3603 623/22.4
2016/0262912	A1*	9/2016	Burnikel	A61F 2/4684

* cited by examiner

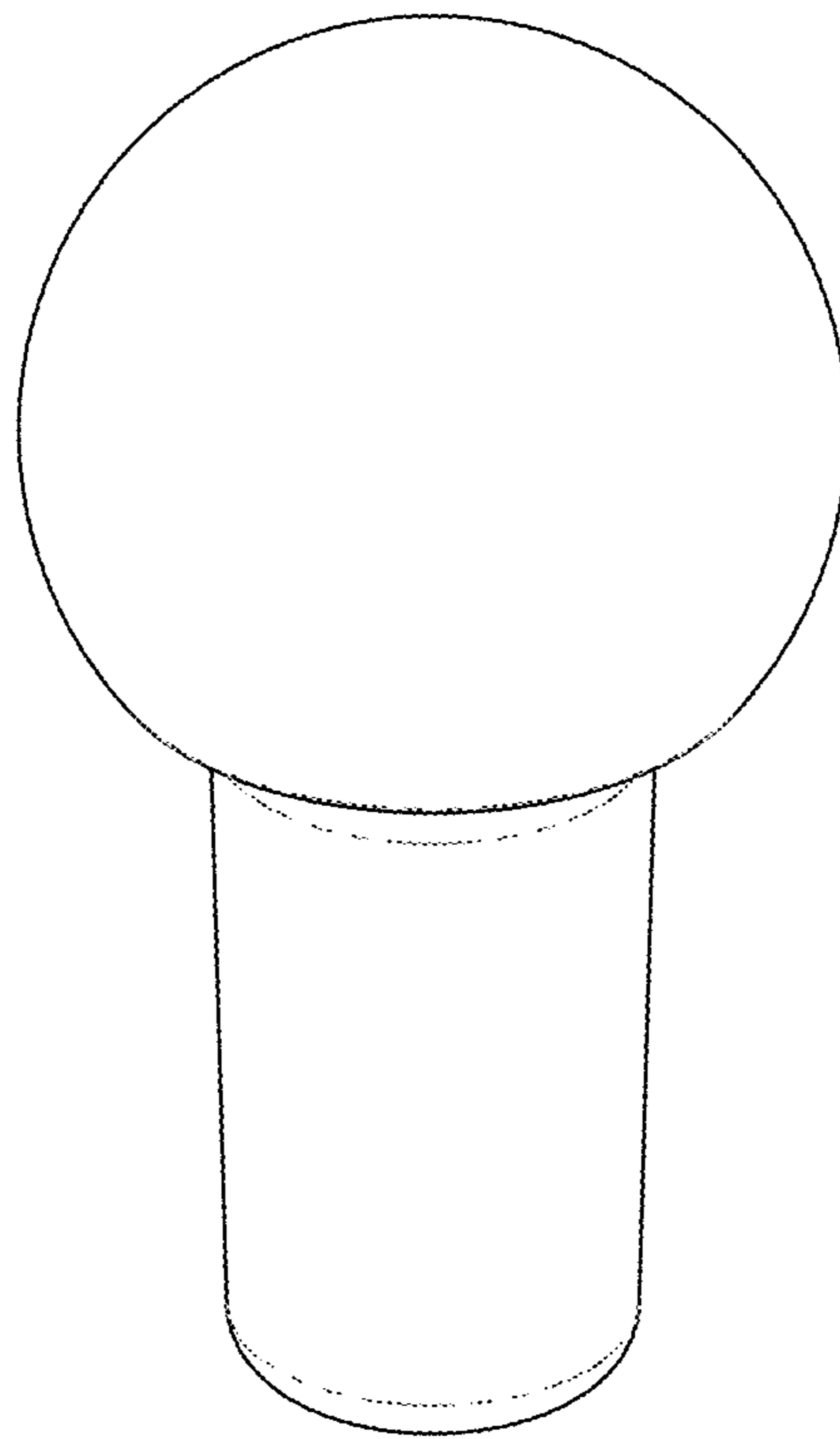


FIG. 1

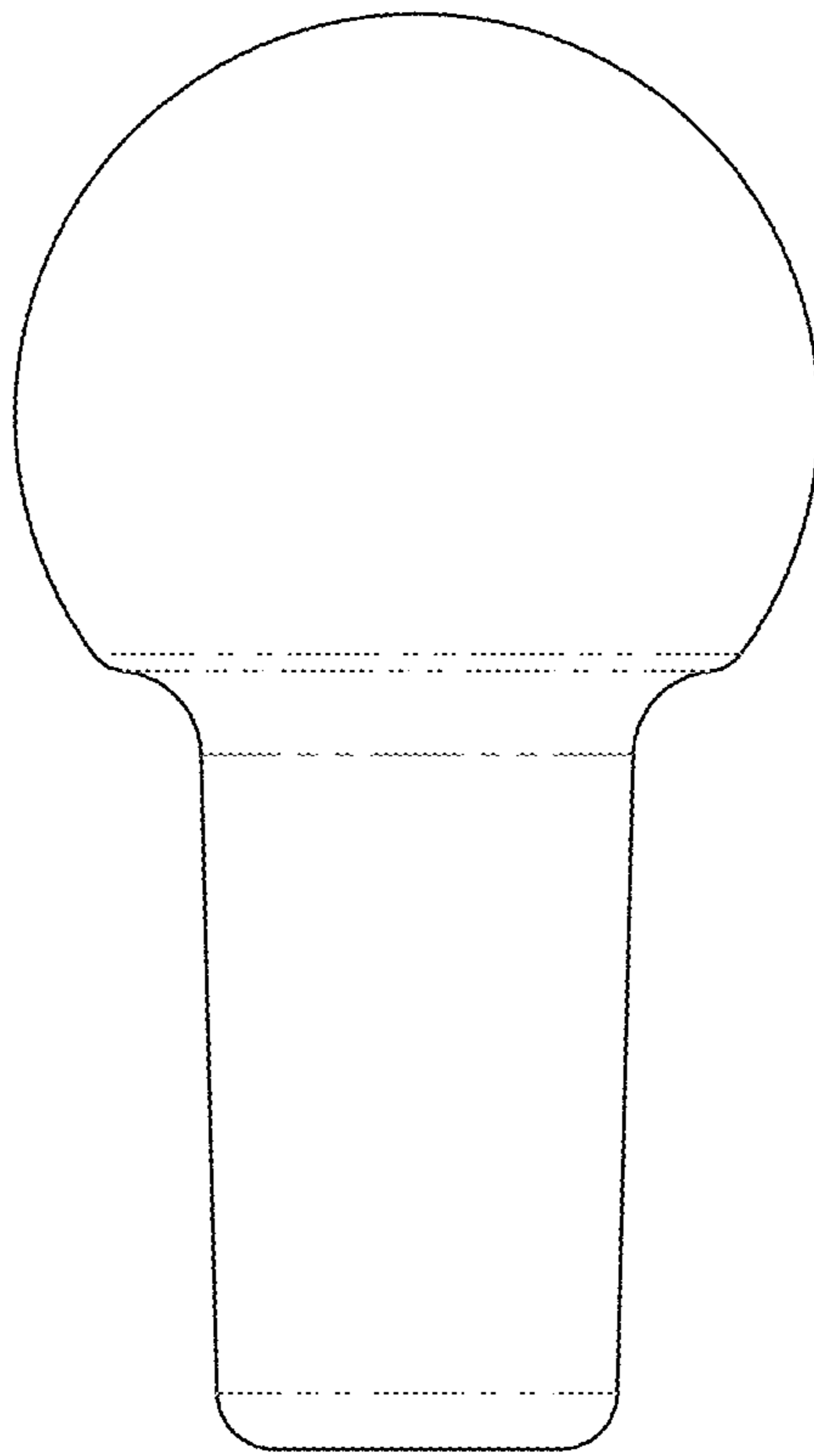


FIG. 2

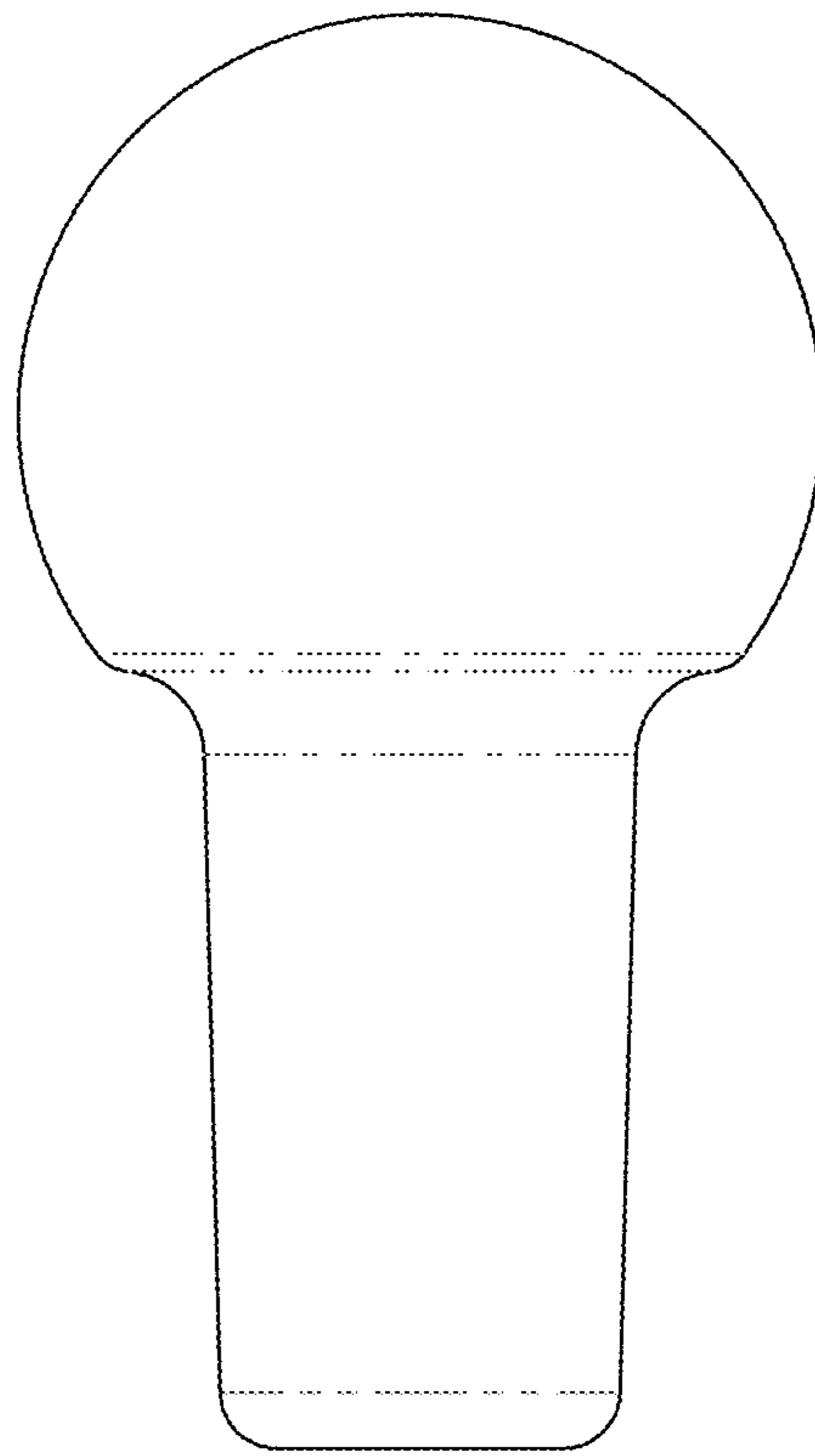


FIG. 3

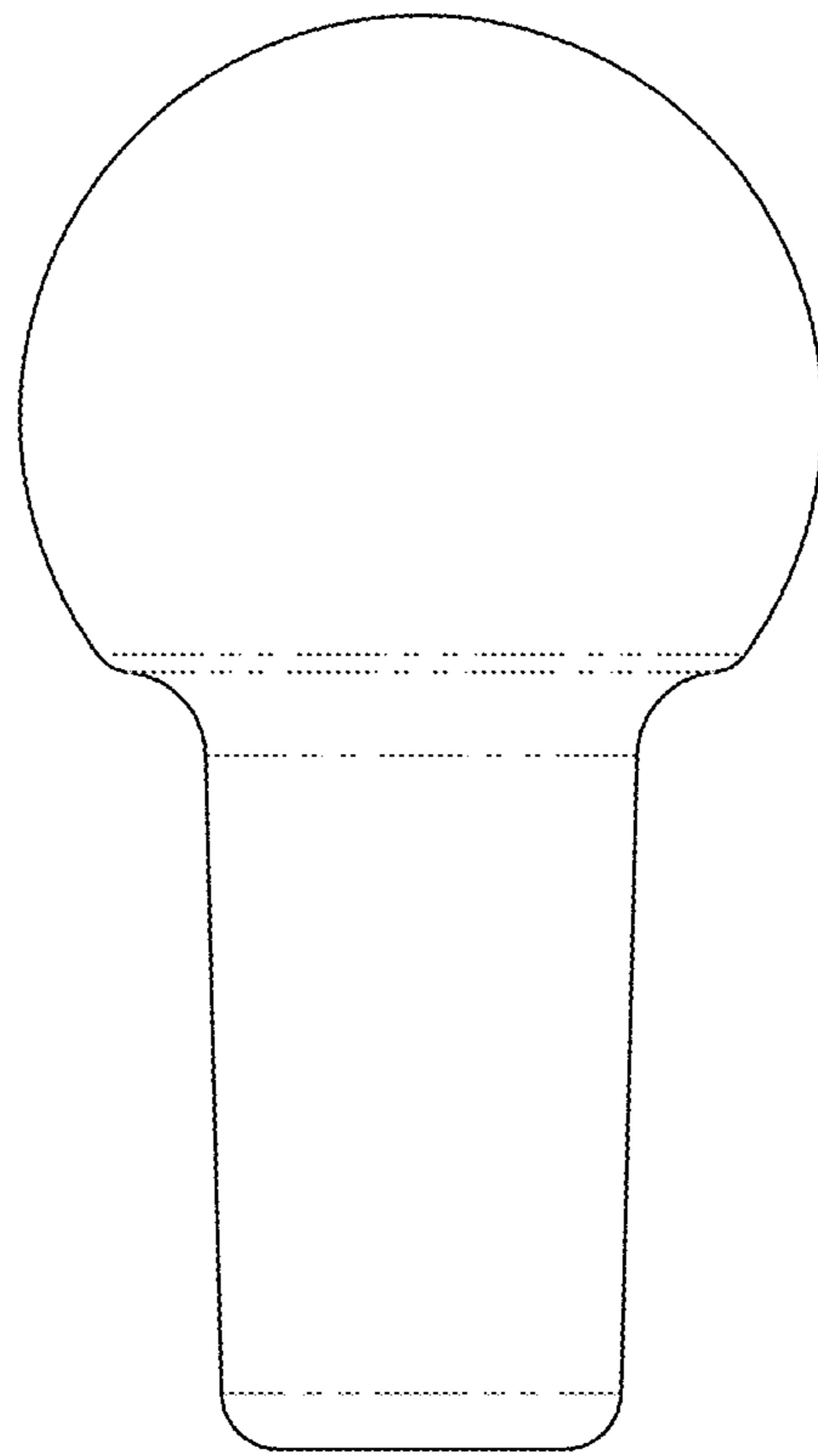


FIG. 4

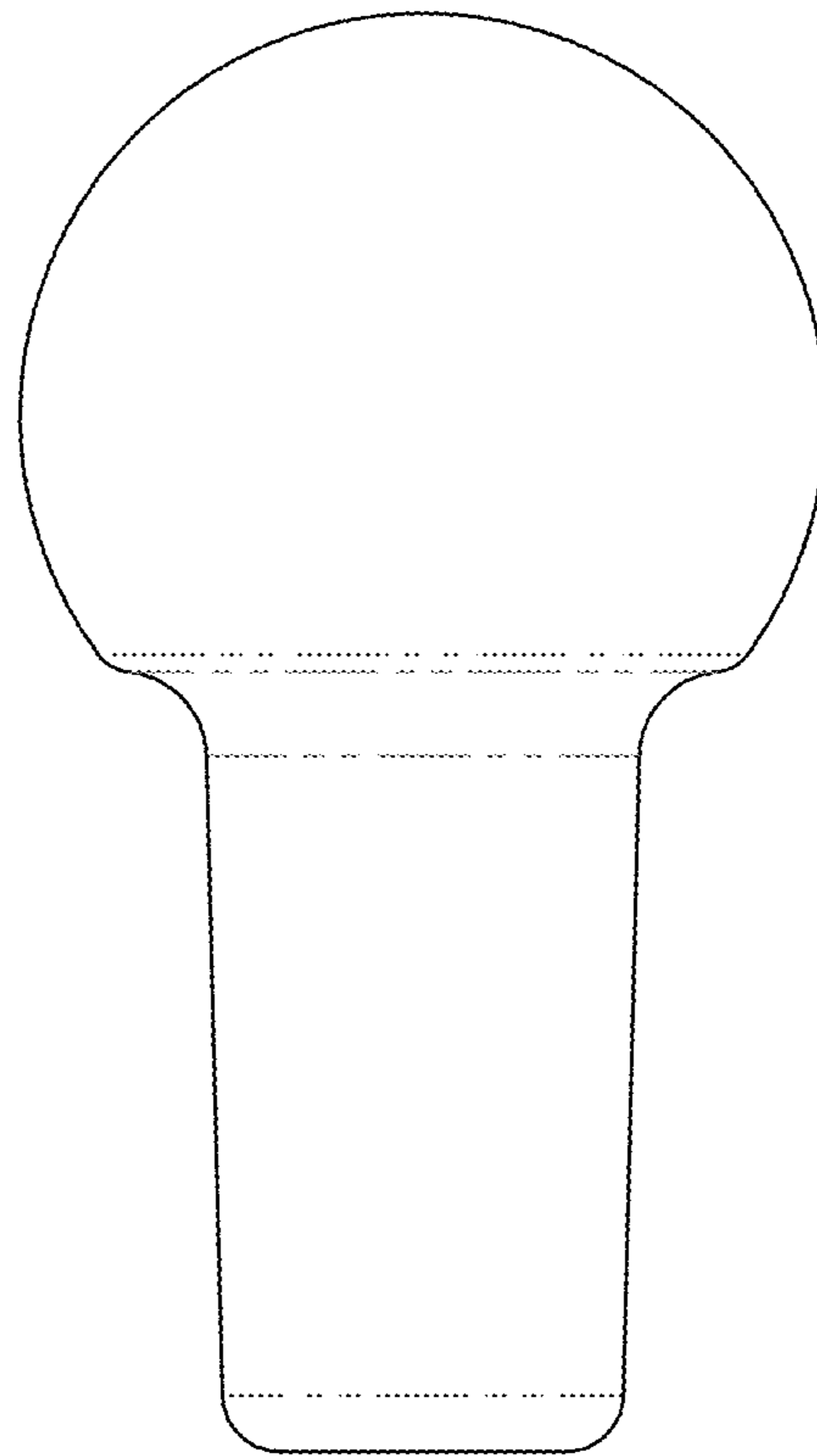


FIG. 5

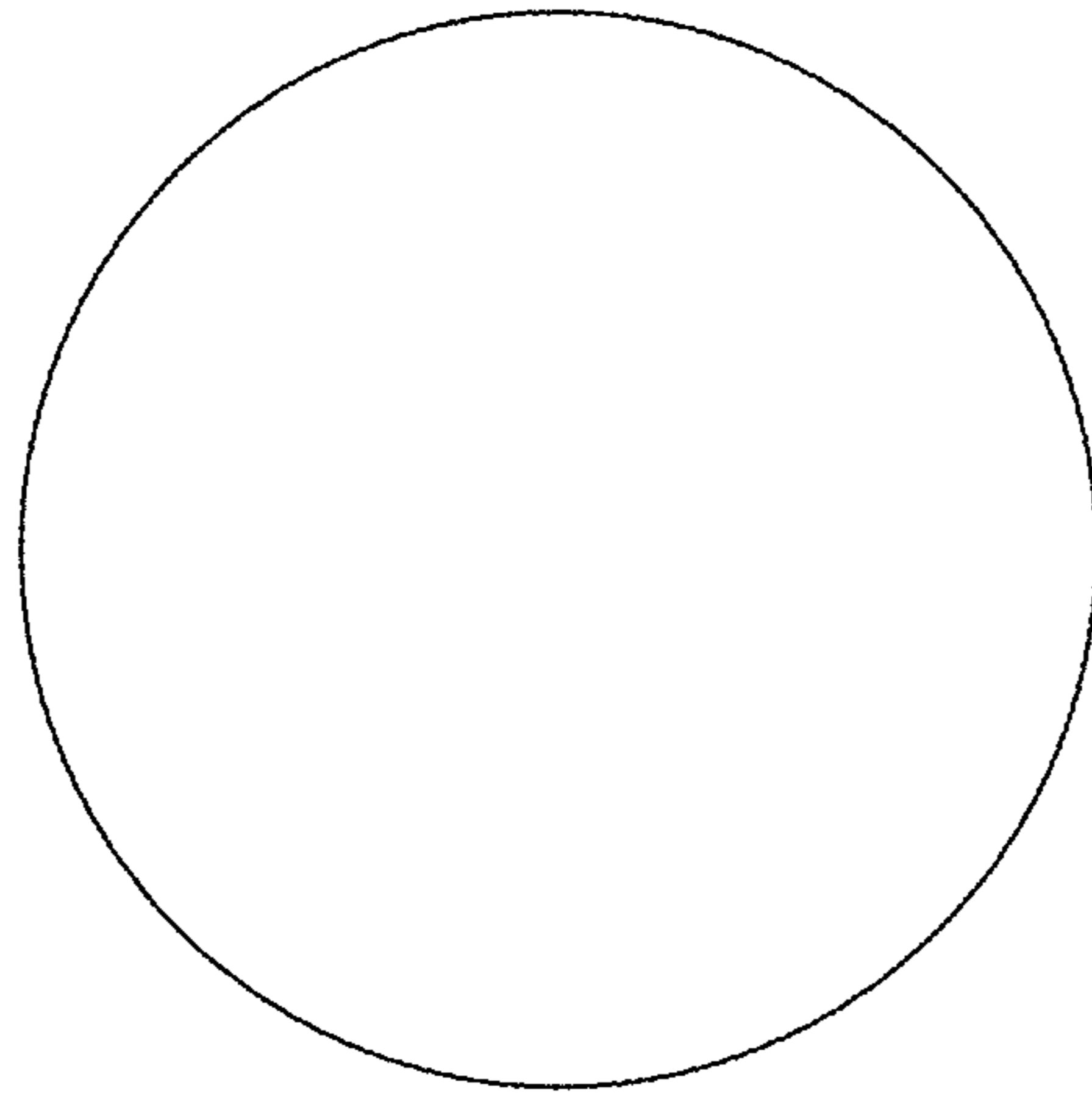


FIG. 6

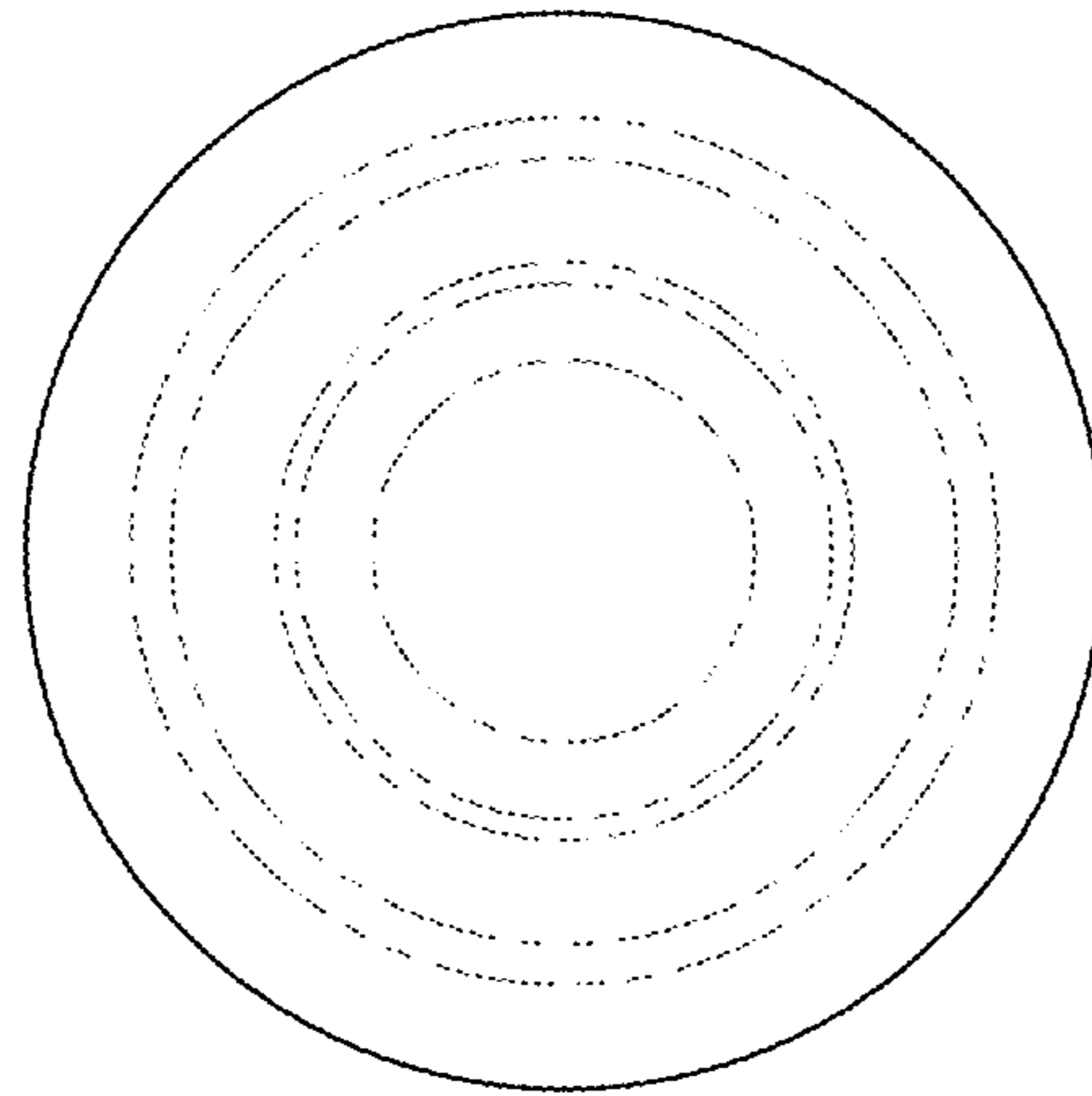


FIG. 7

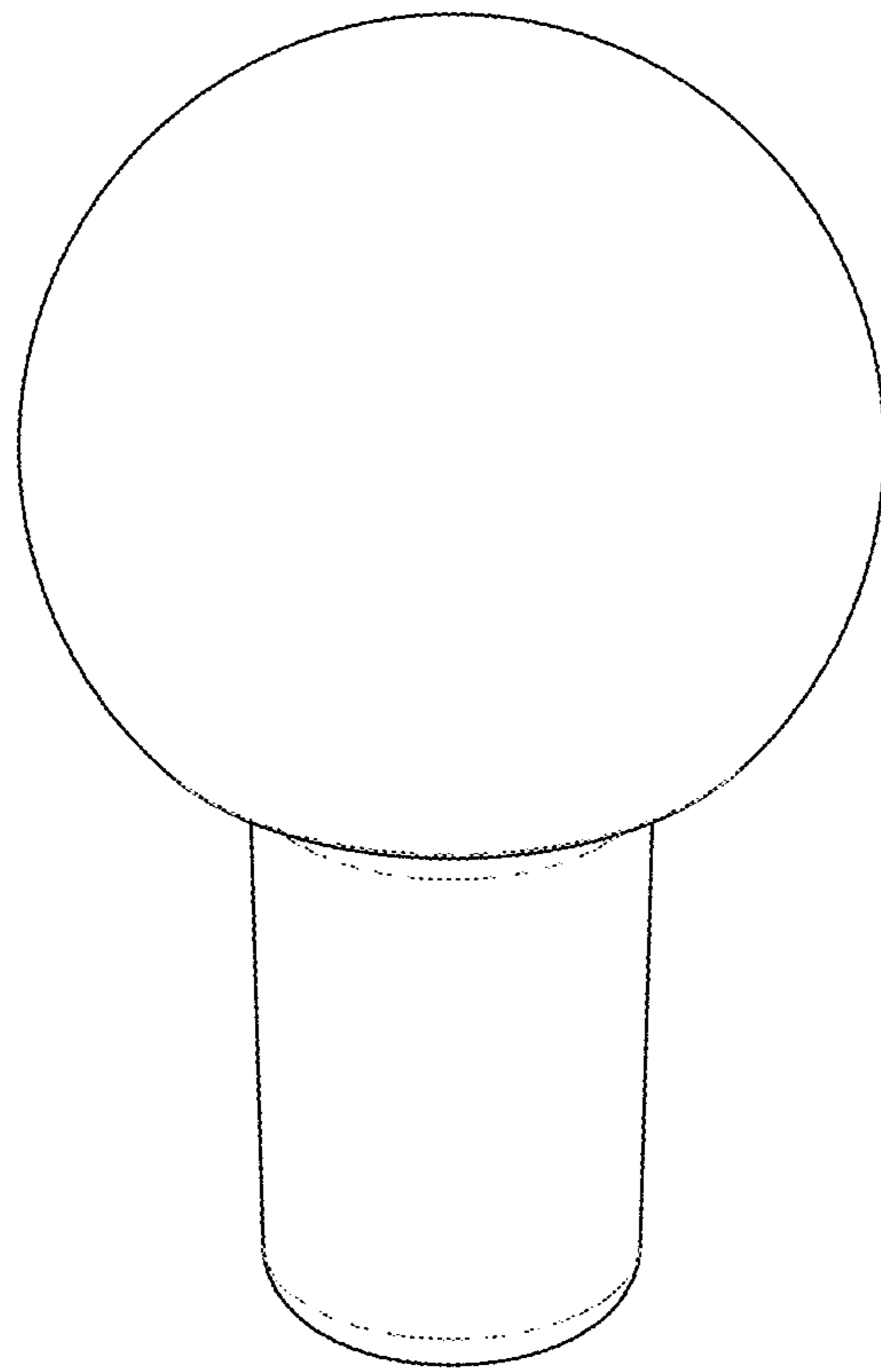


FIG. 8

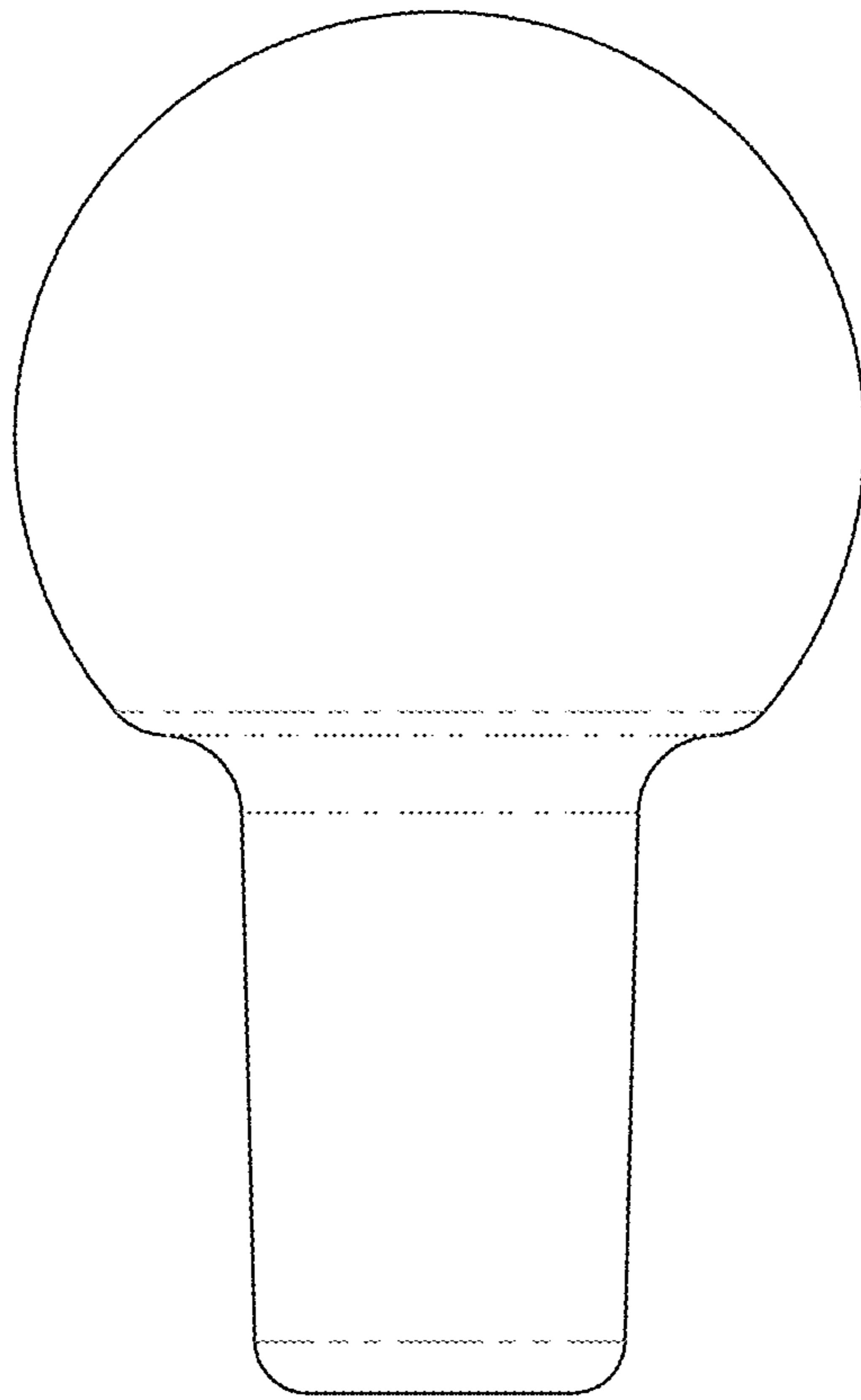


FIG. 9

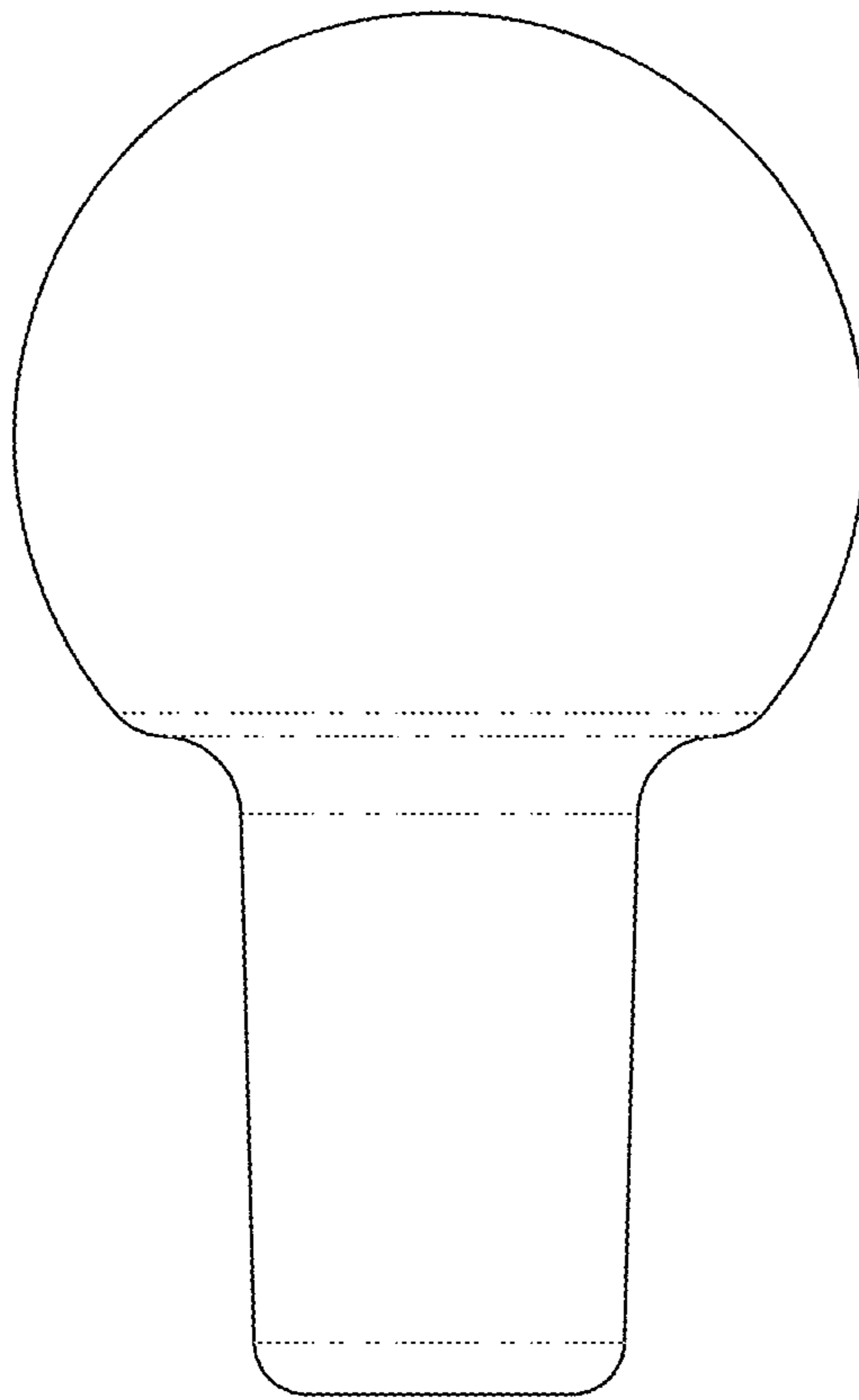


FIG. 10

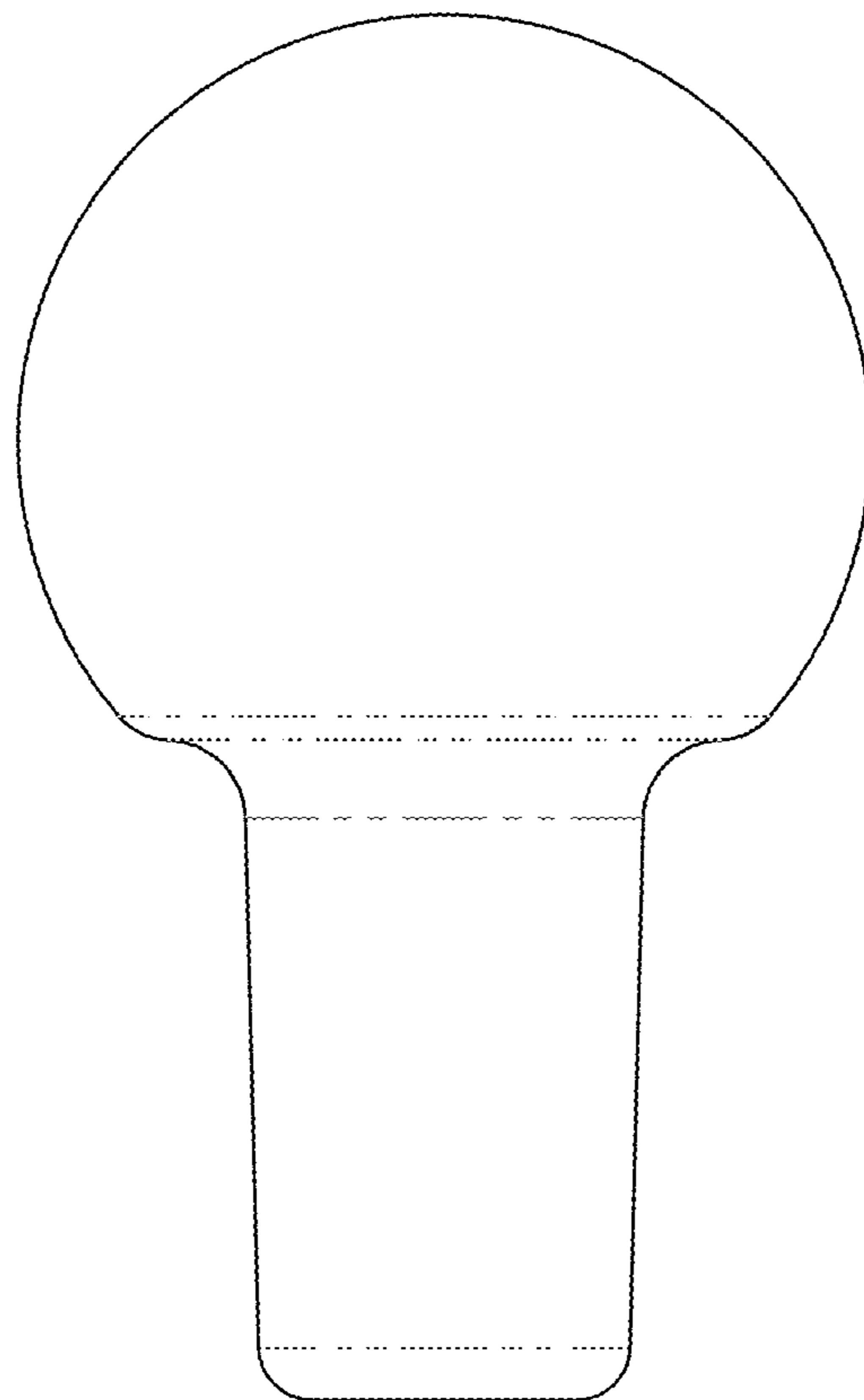


FIG. 11

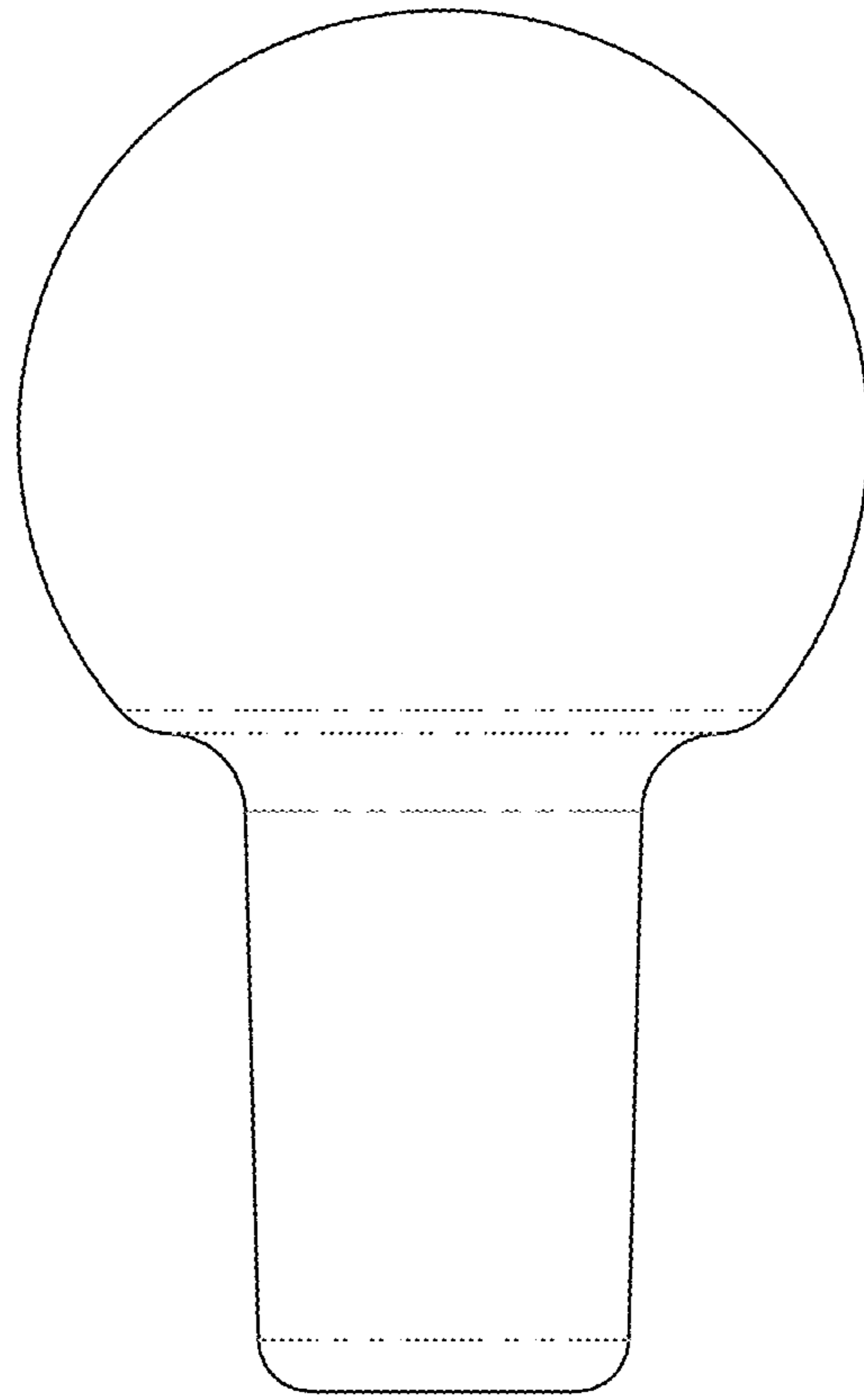


FIG. 12

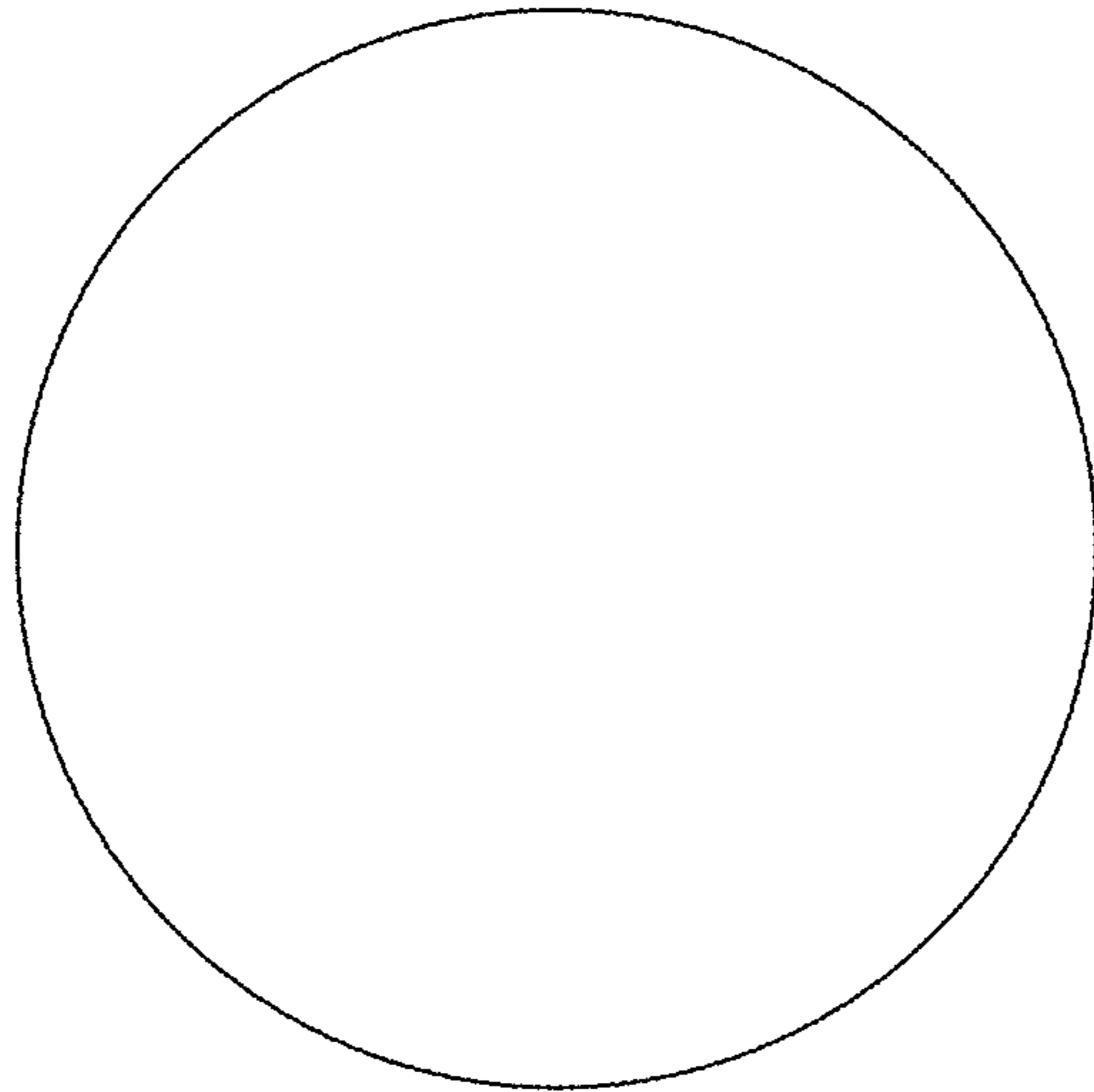


FIG. 13

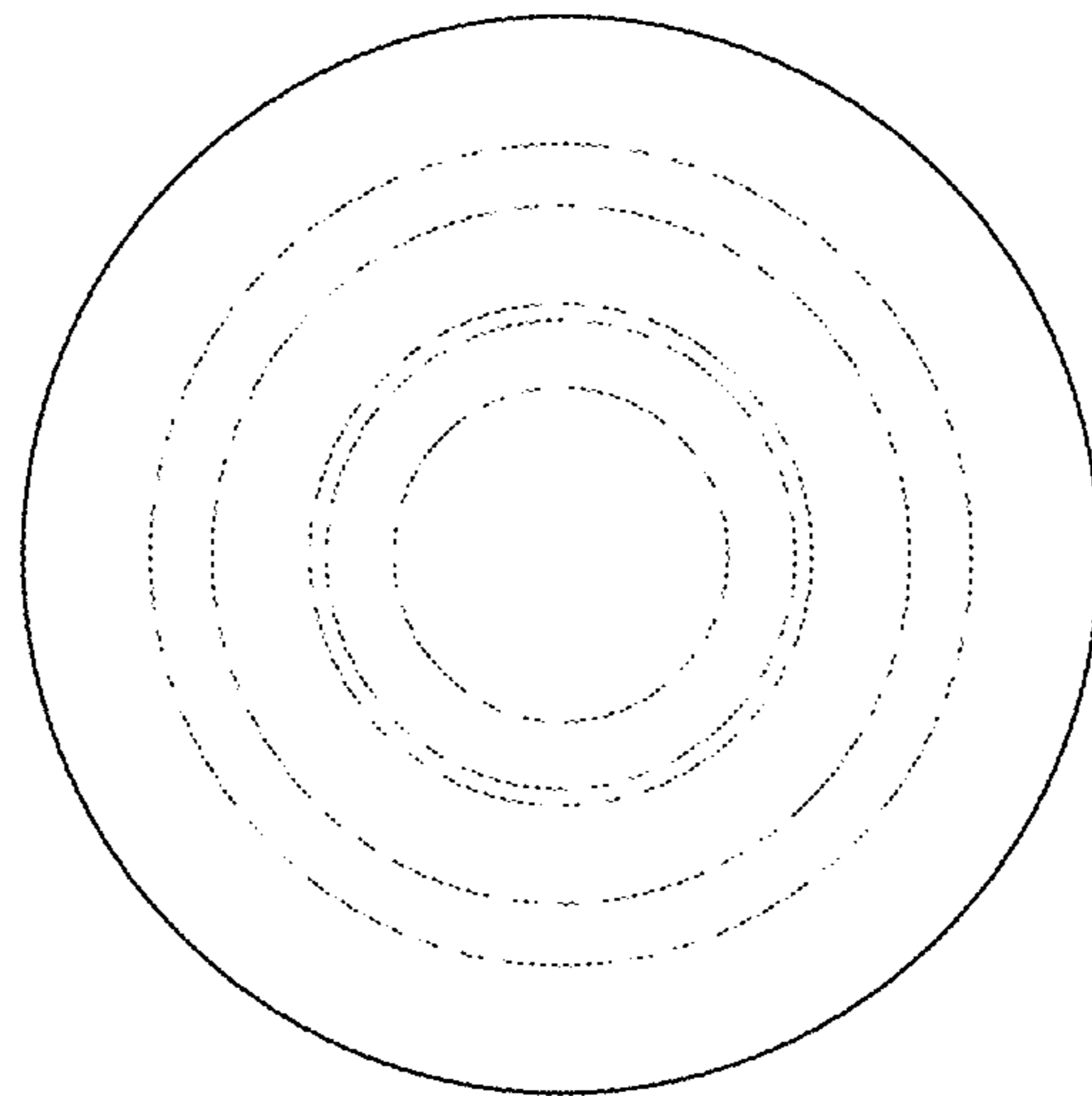


FIG. 14

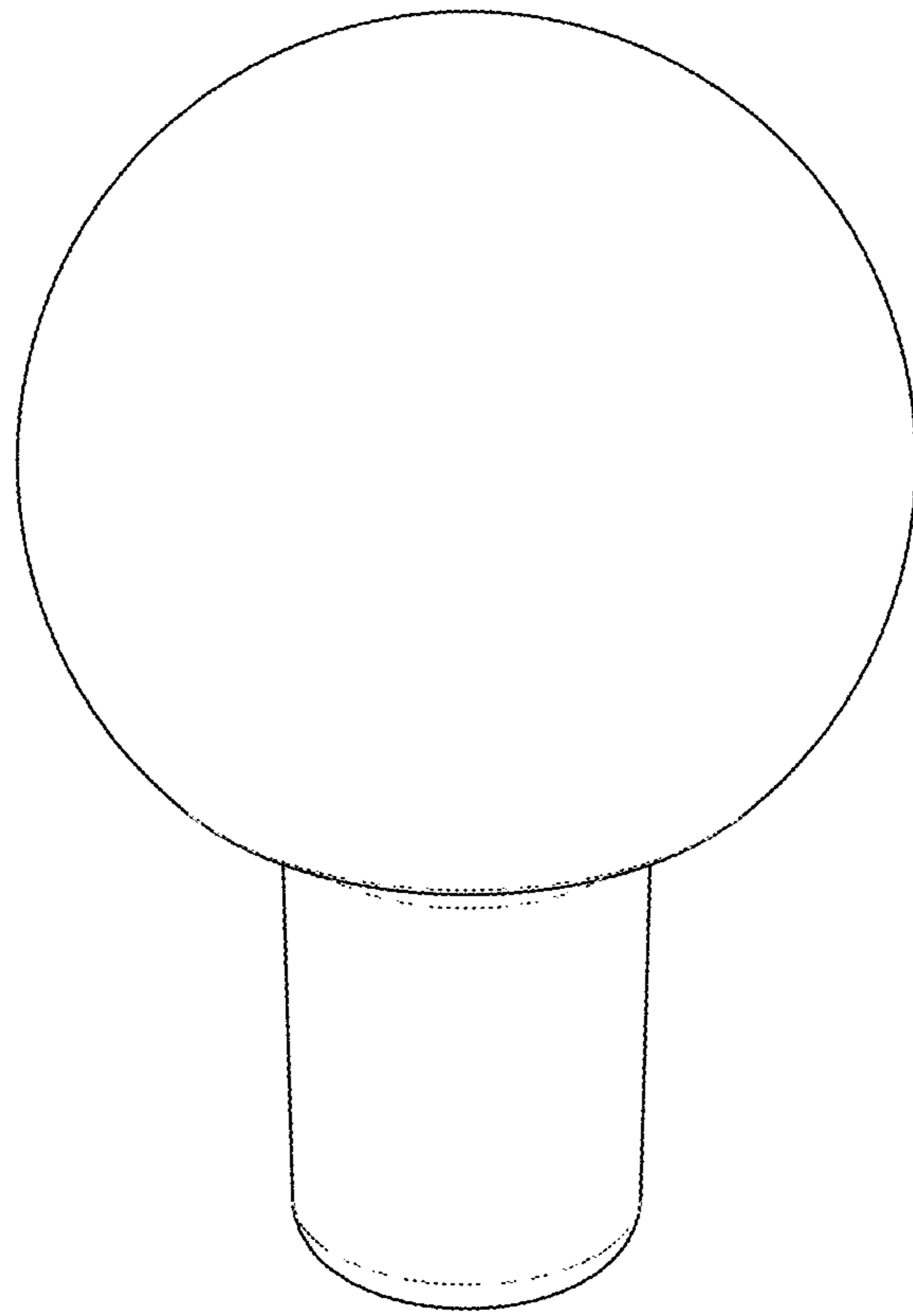


FIG. 15



FIG. 16

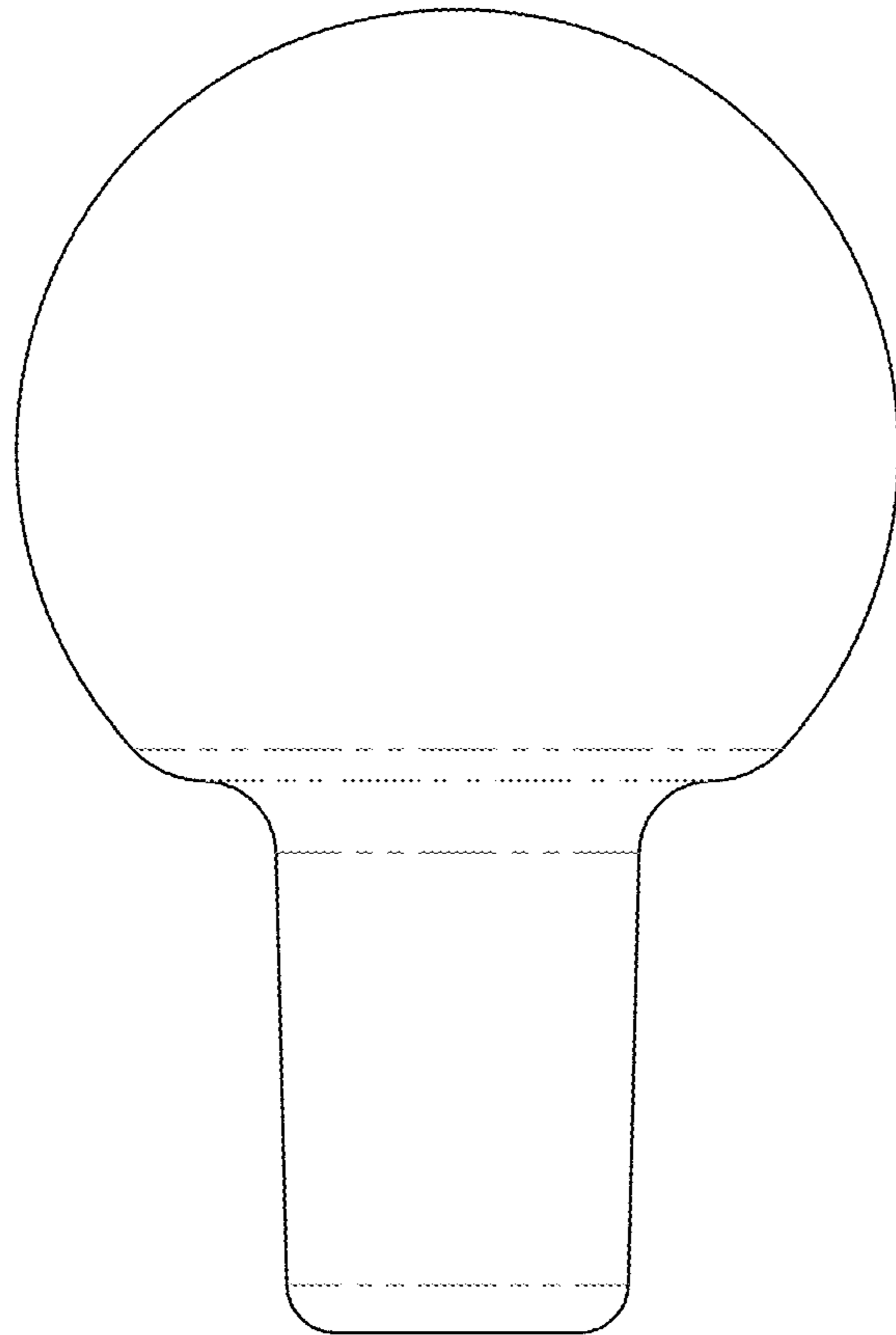


FIG. 17

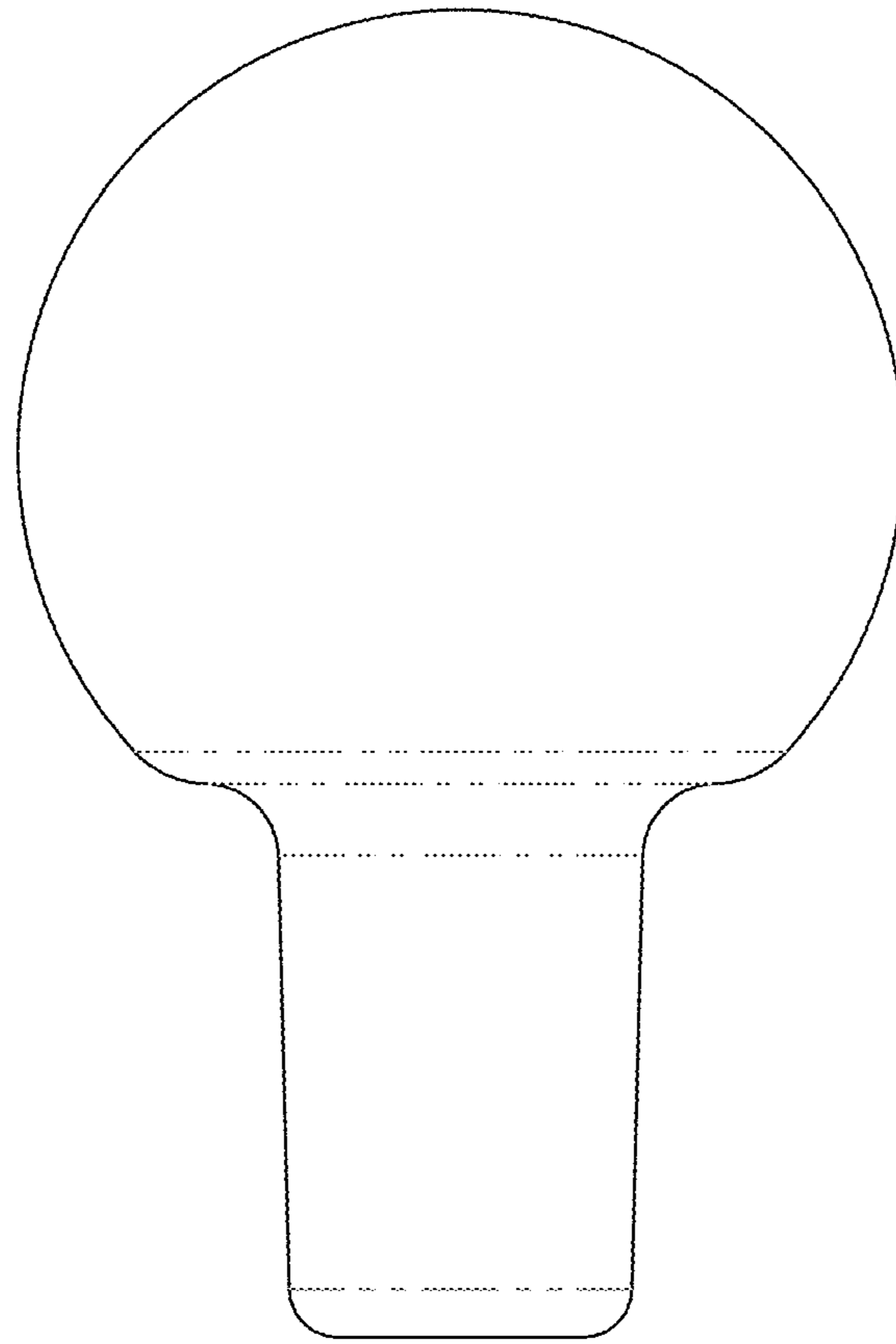


FIG. 18

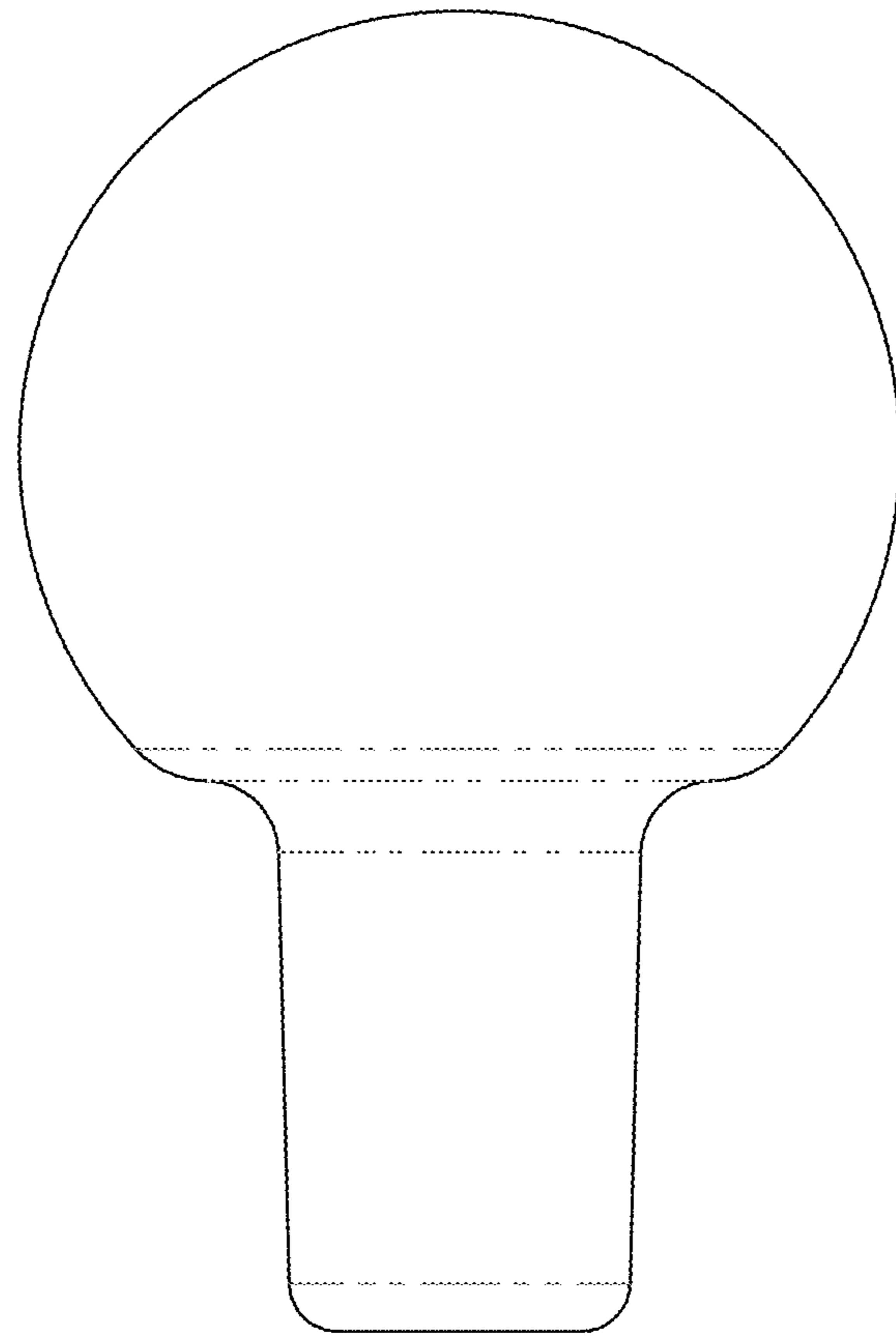


FIG. 19

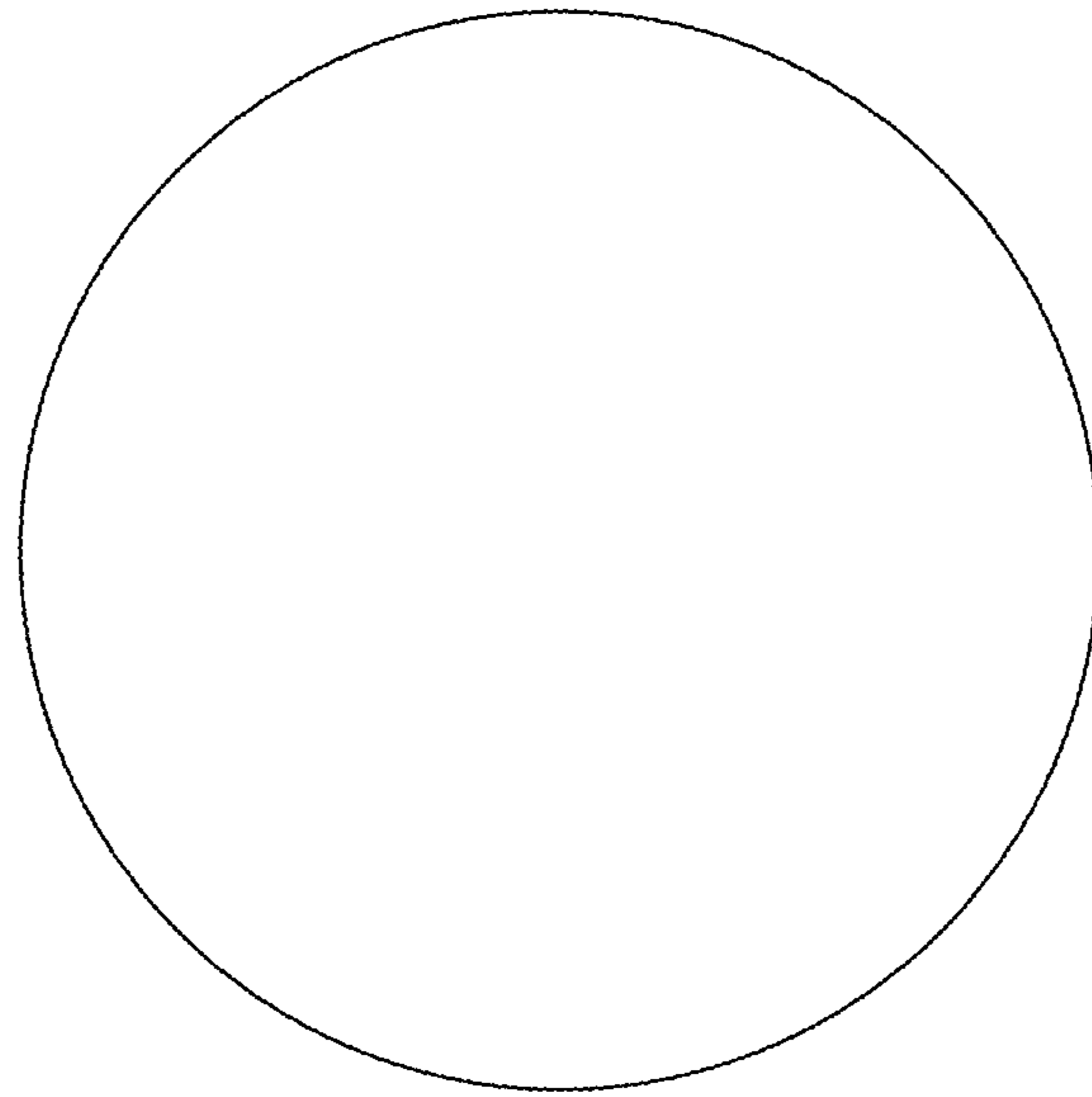


FIG. 20

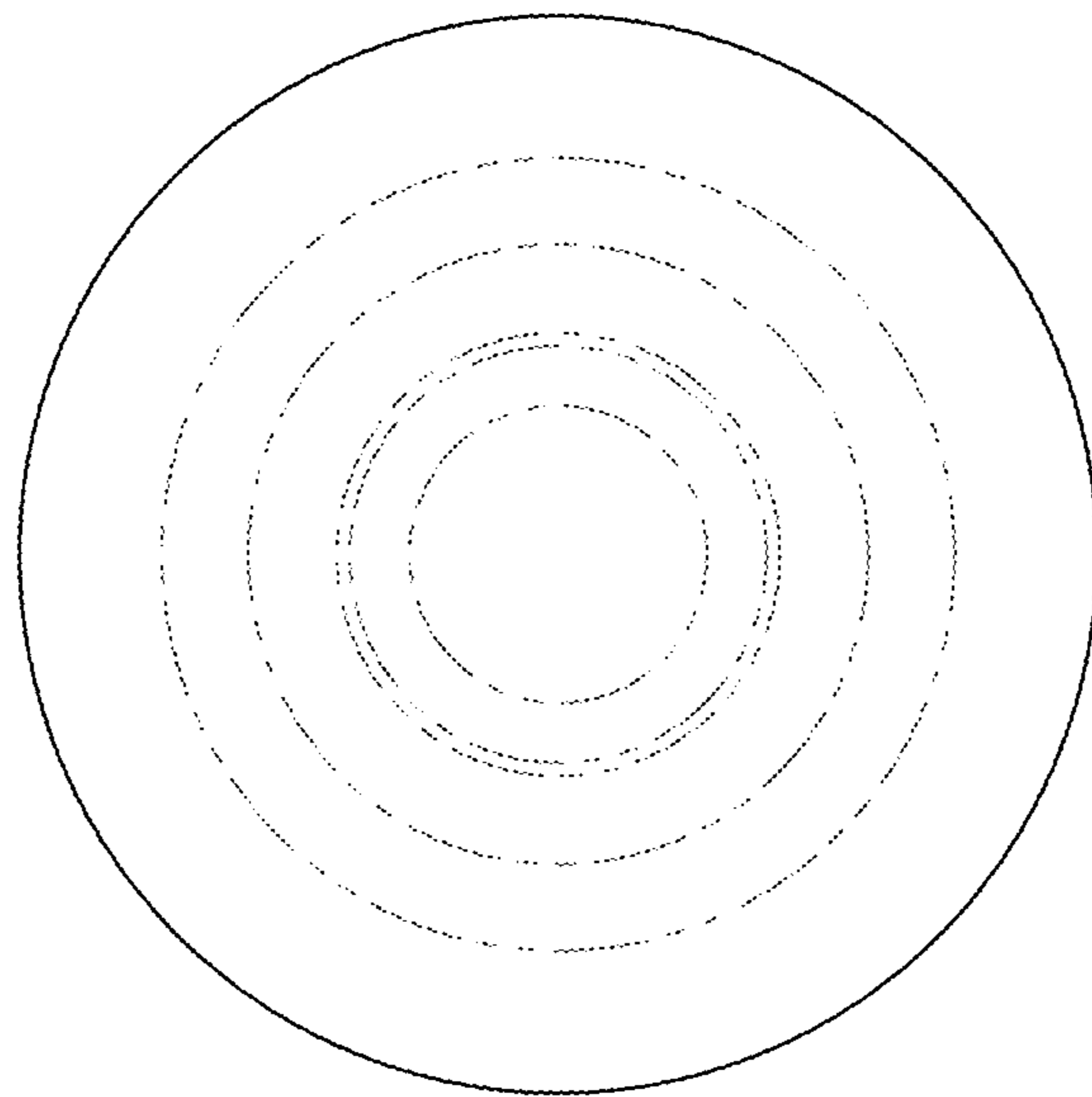


FIG. 21

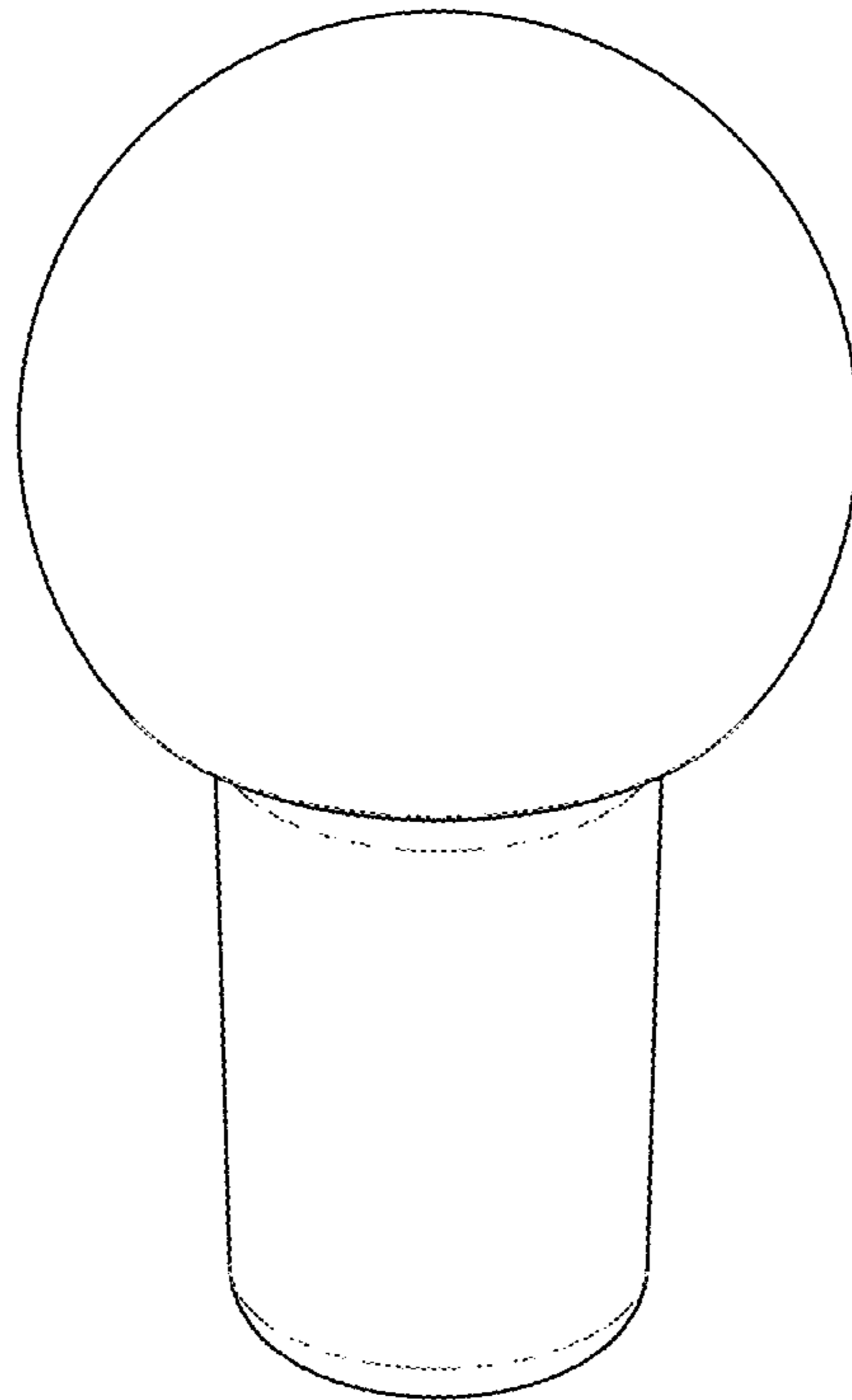


FIG. 22

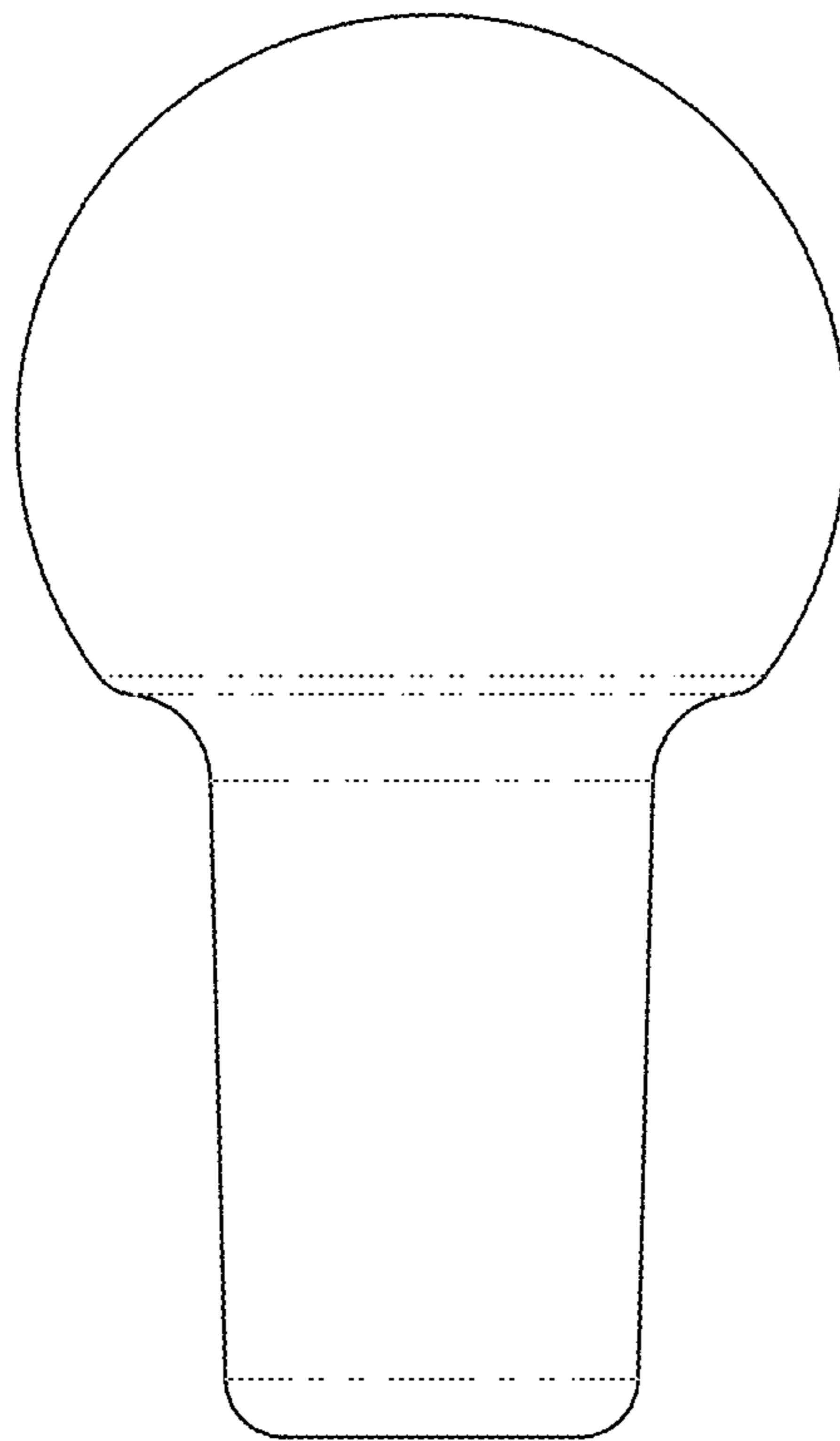


FIG. 23

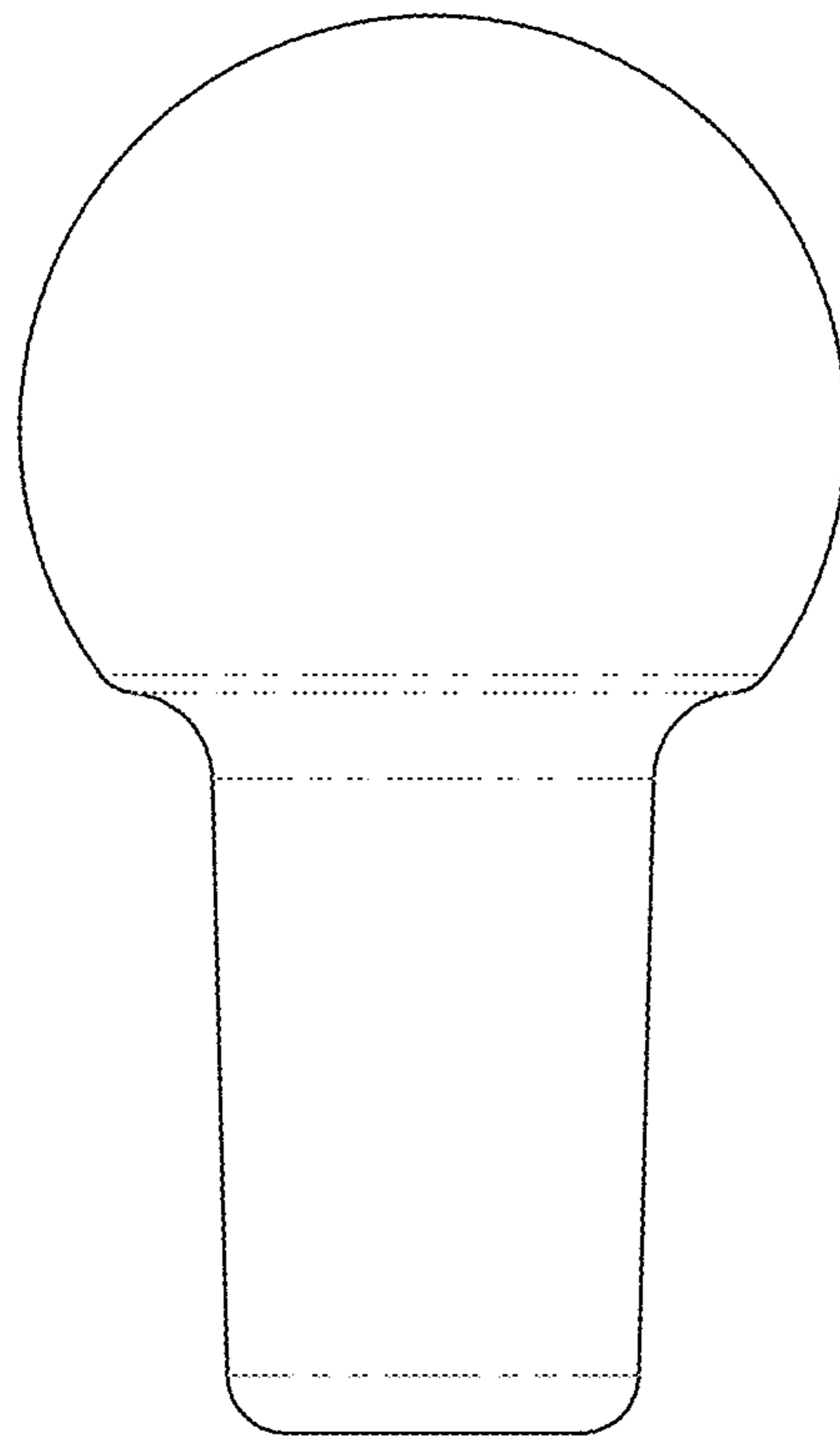


FIG. 24

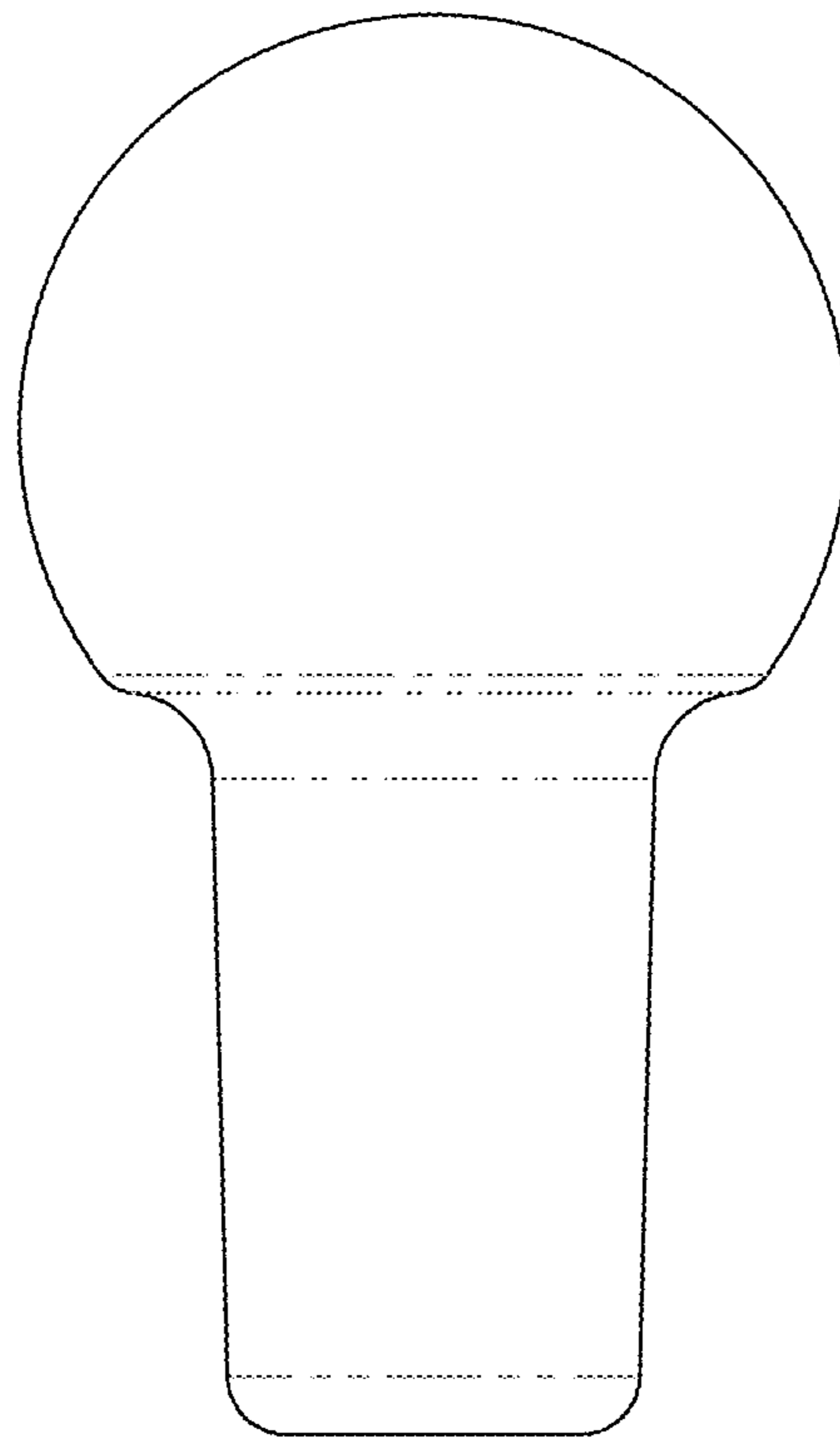


FIG. 25

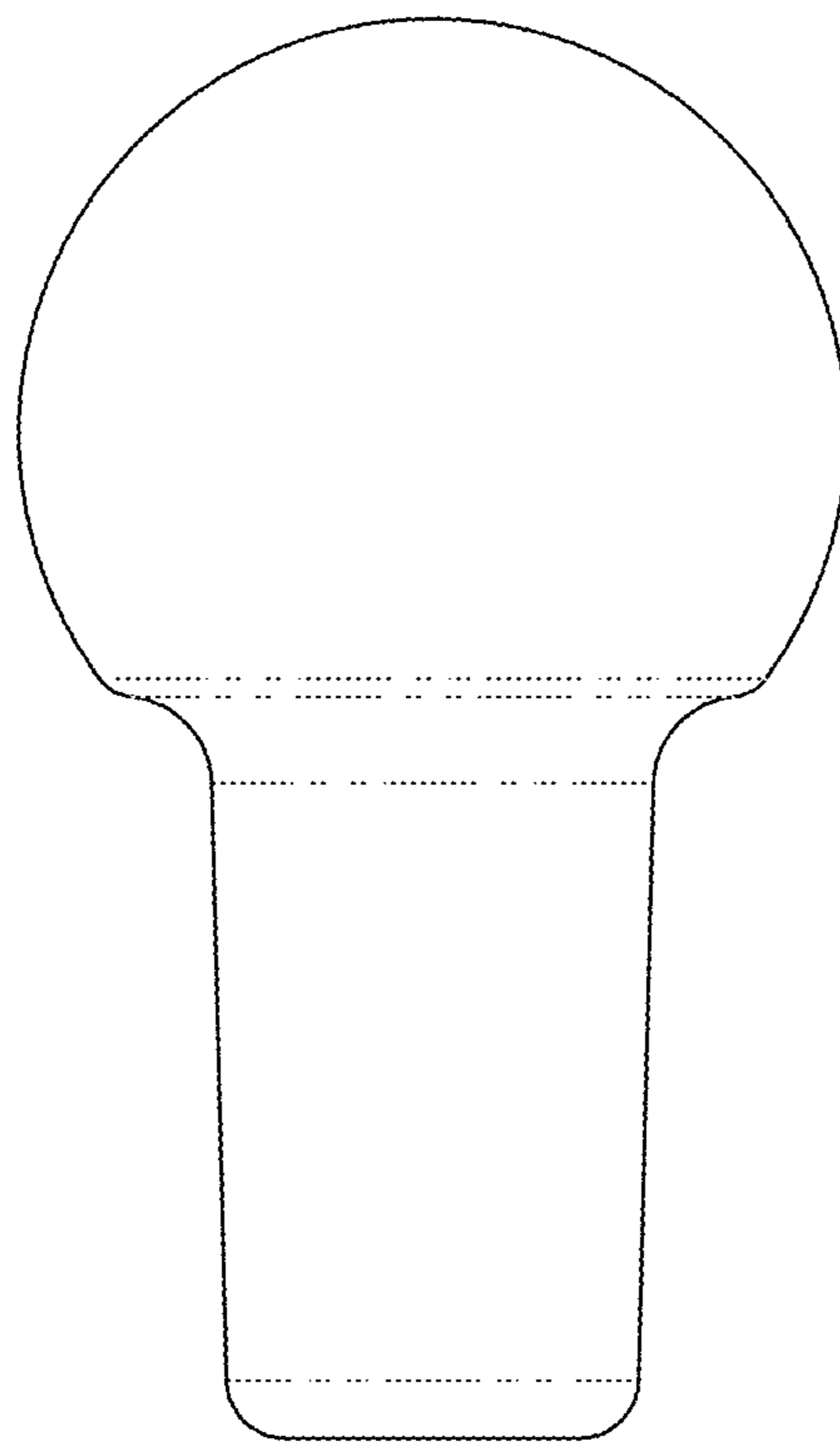


FIG. 26

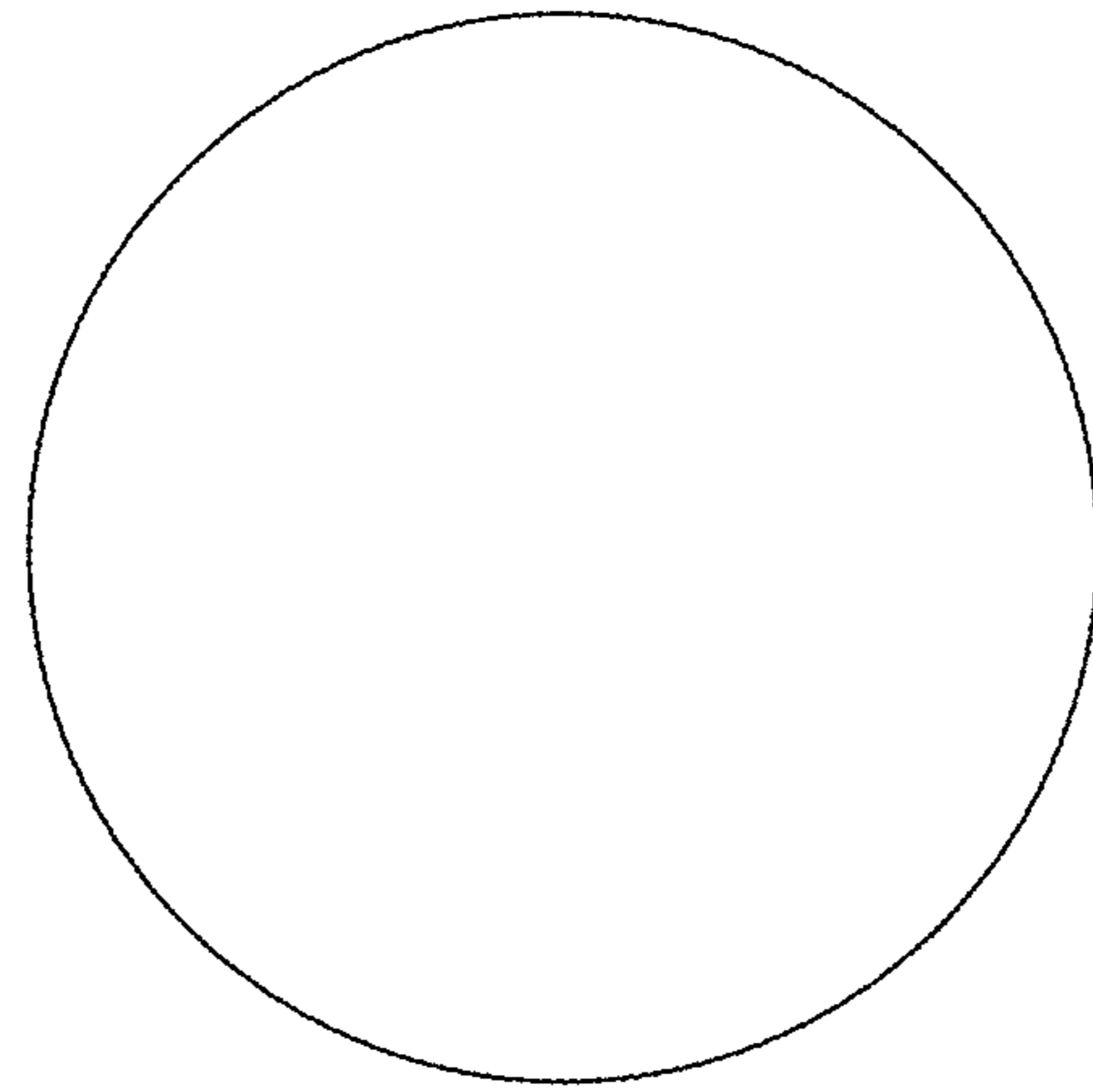


FIG. 27

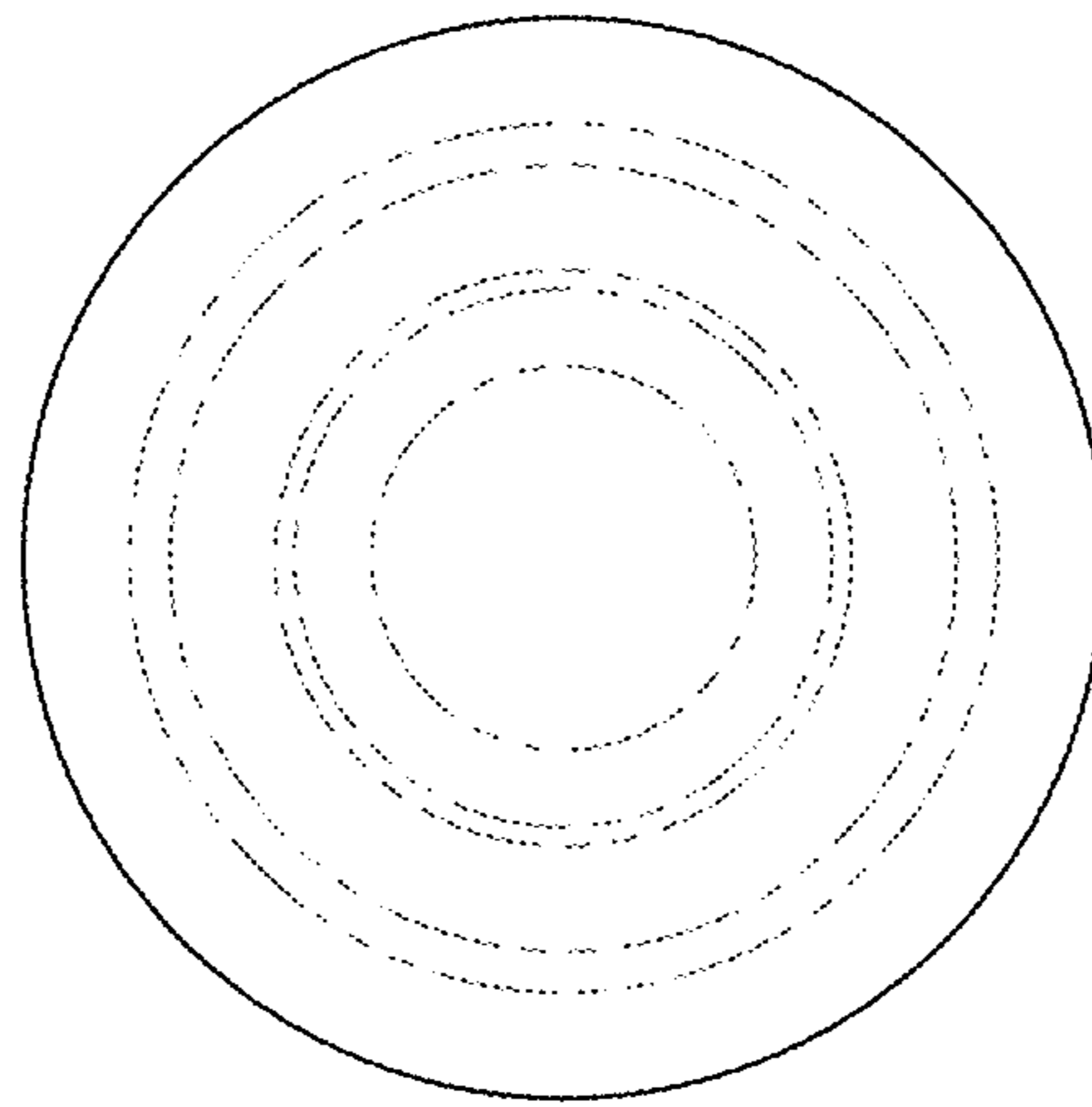


FIG. 28

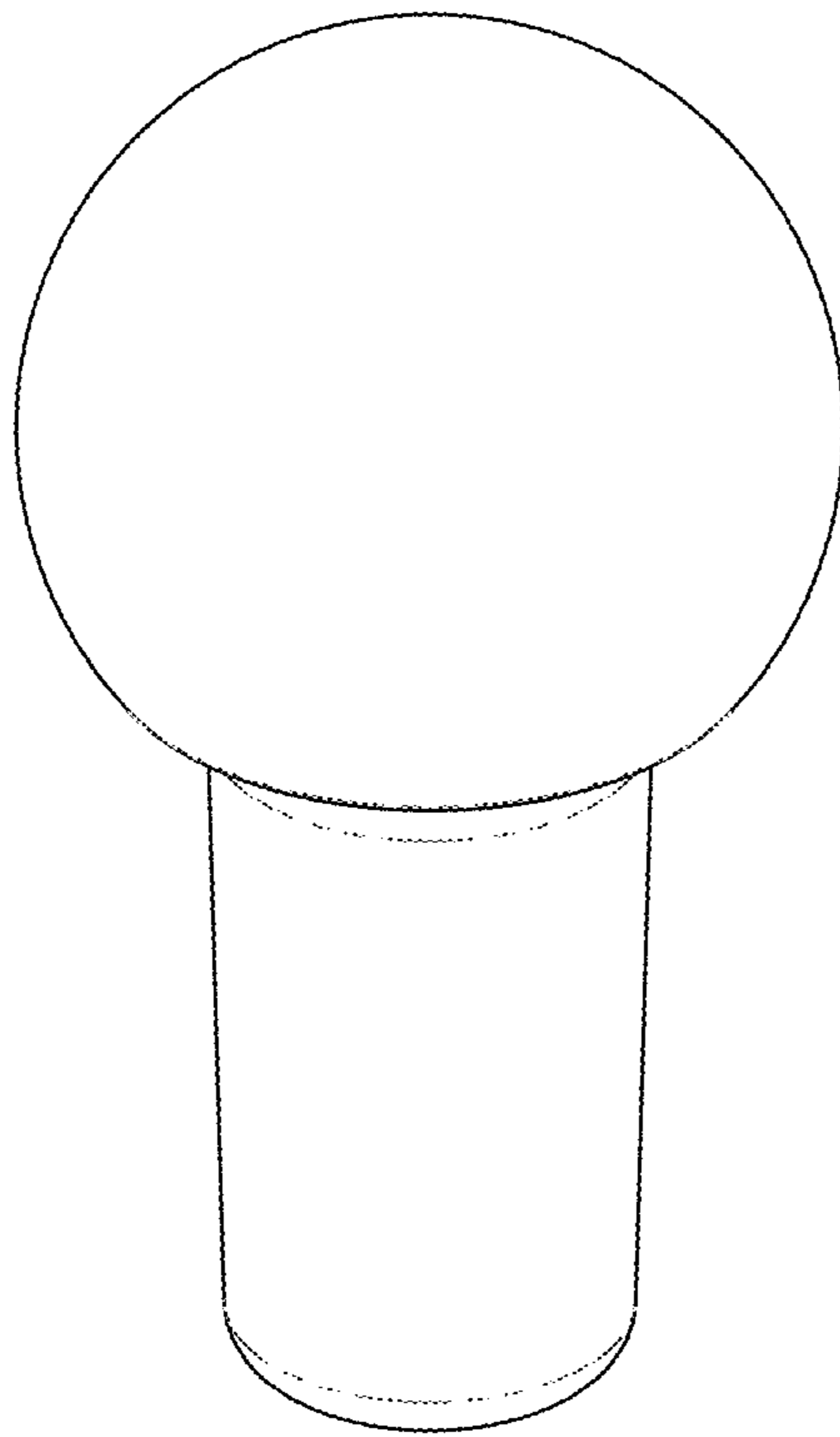


FIG. 29

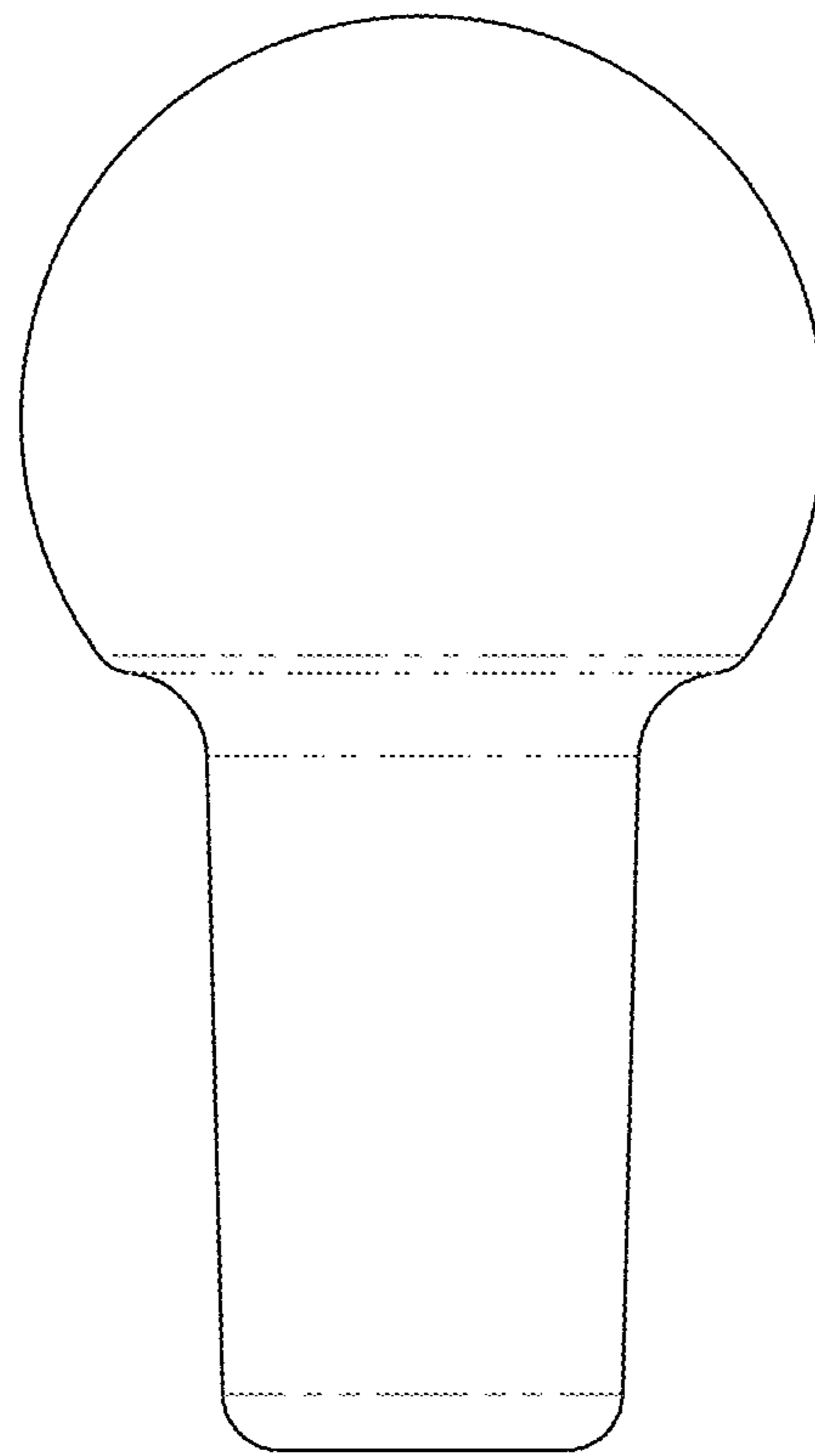


FIG. 30

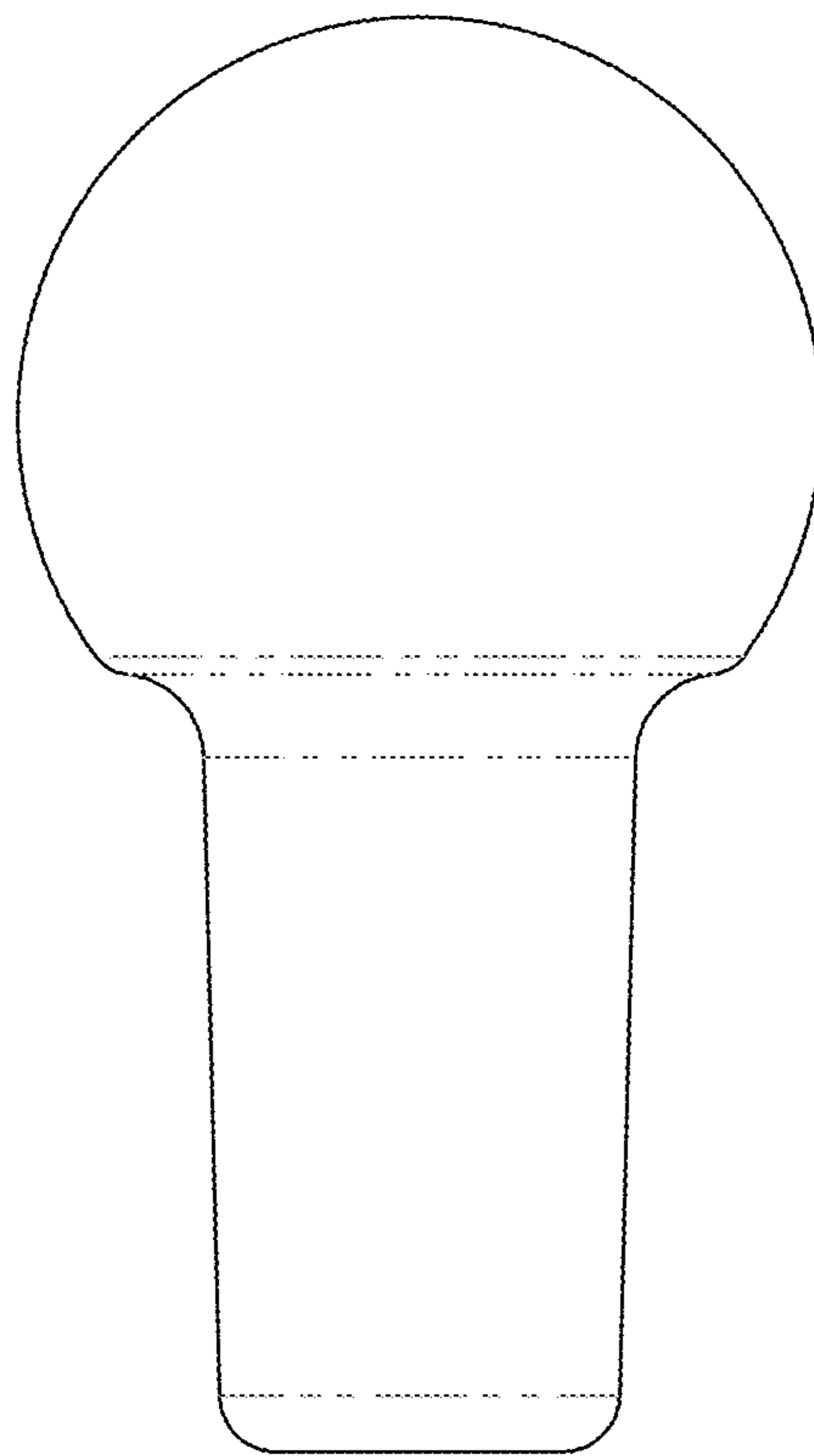


FIG. 31

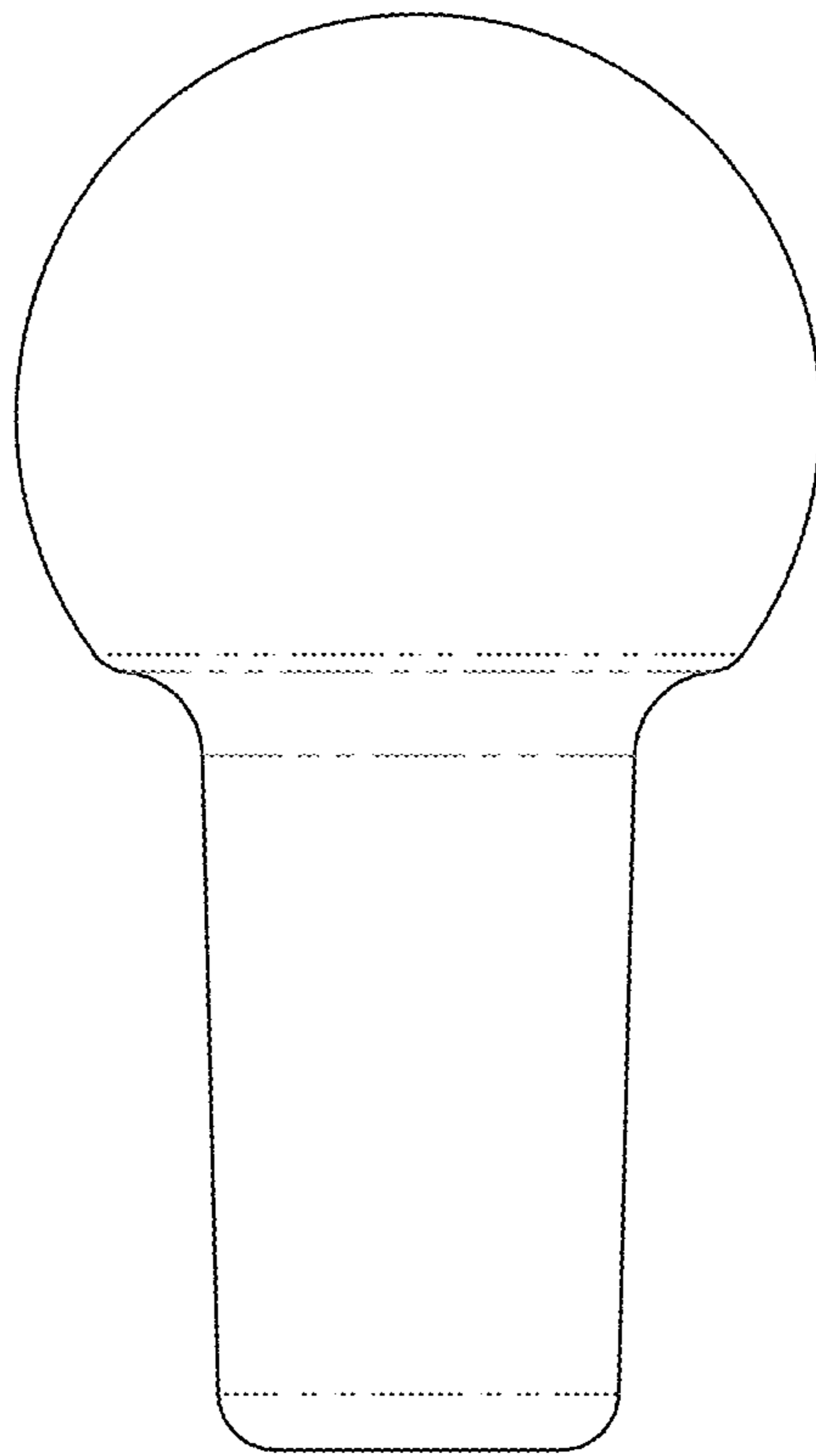


FIG. 32

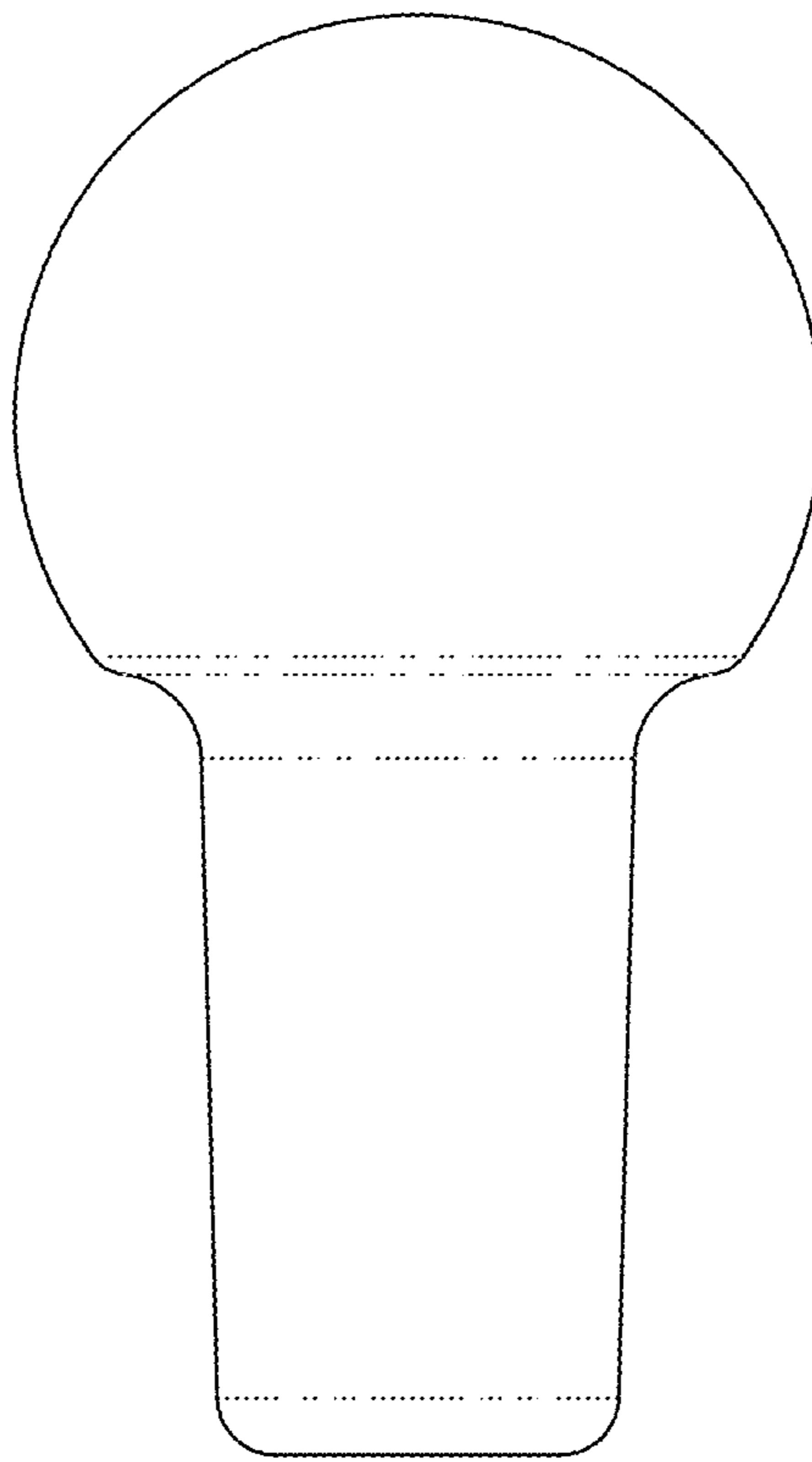


FIG. 33

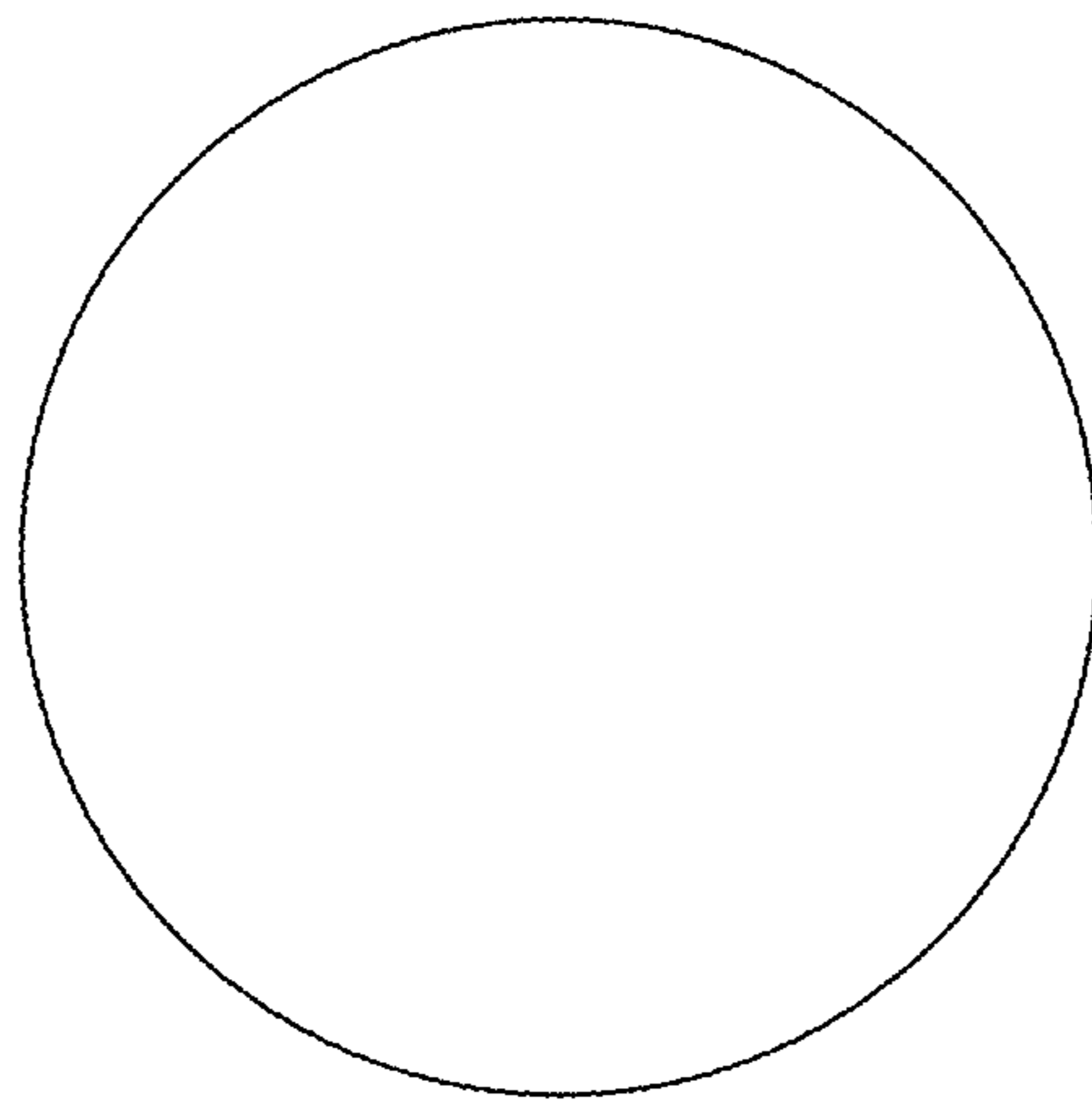


FIG. 34

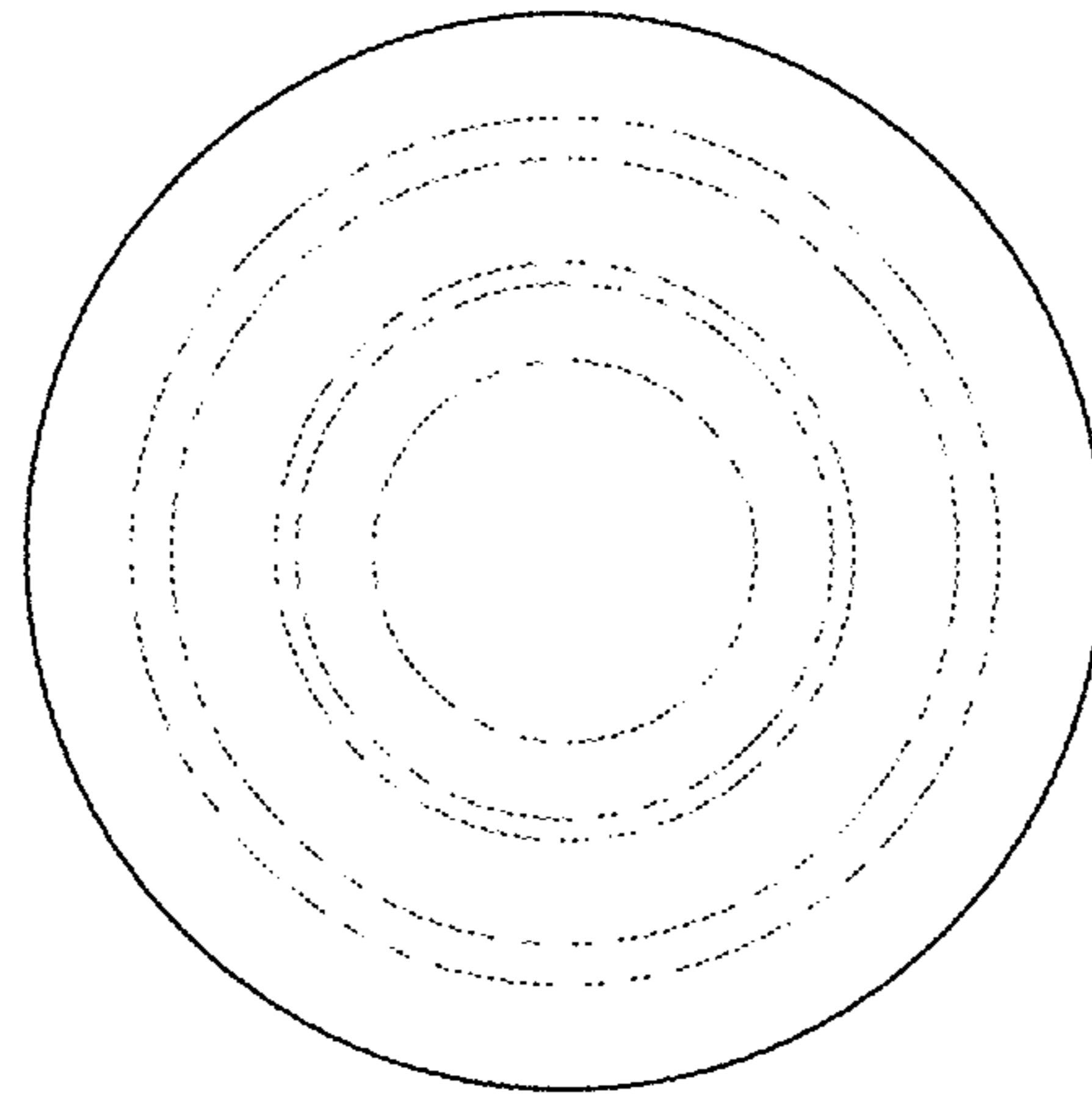


FIG. 35

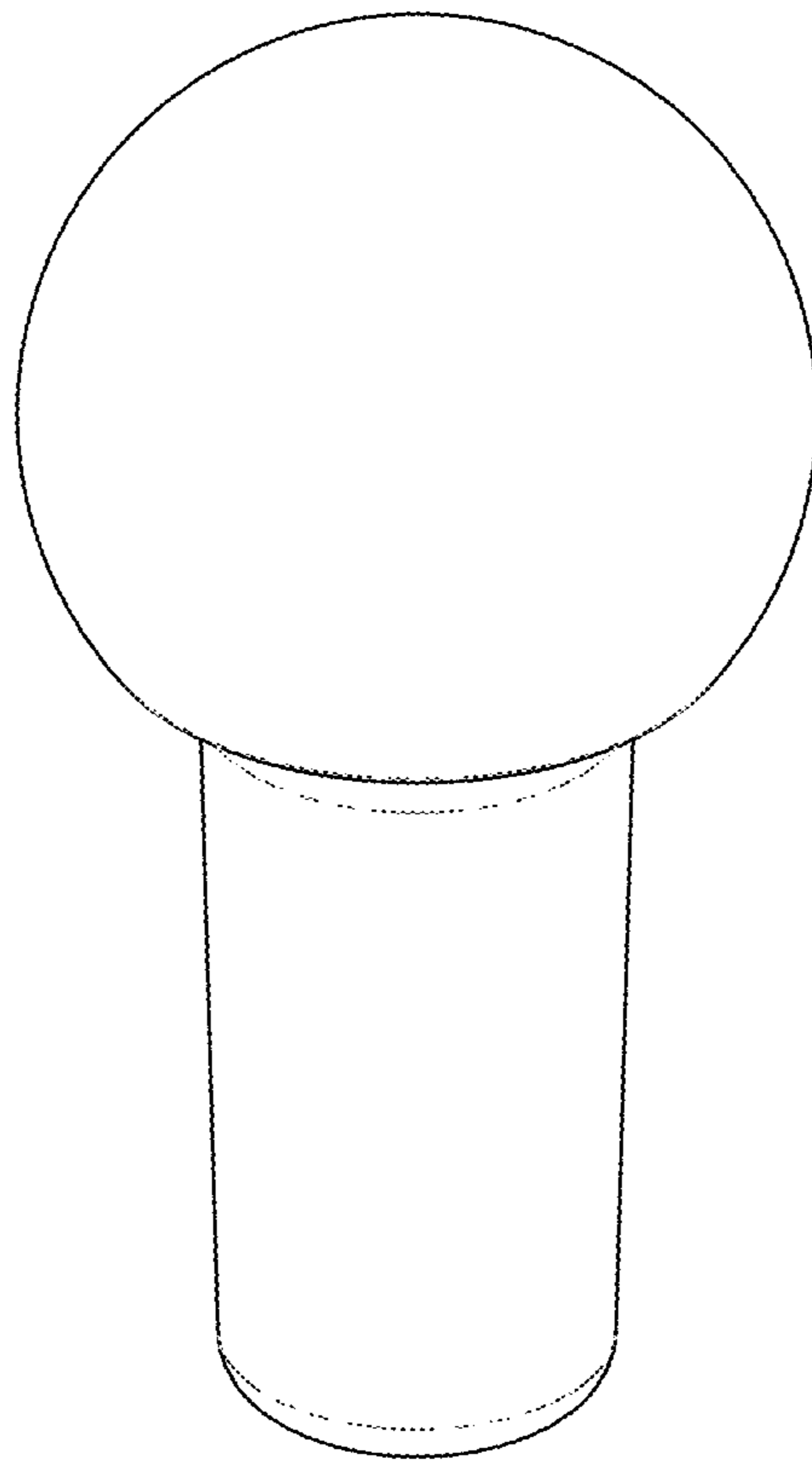


FIG. 36

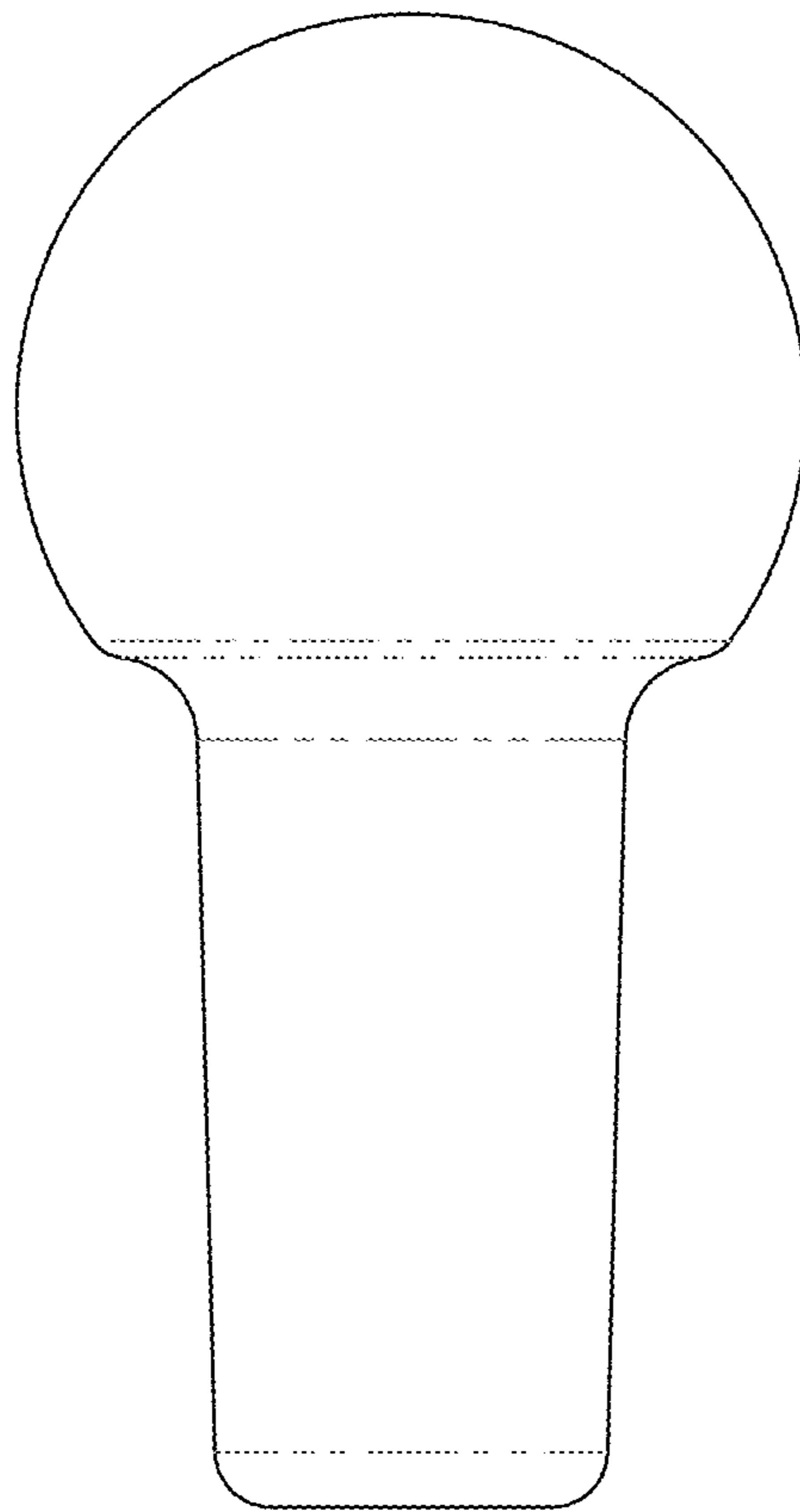


FIG. 37

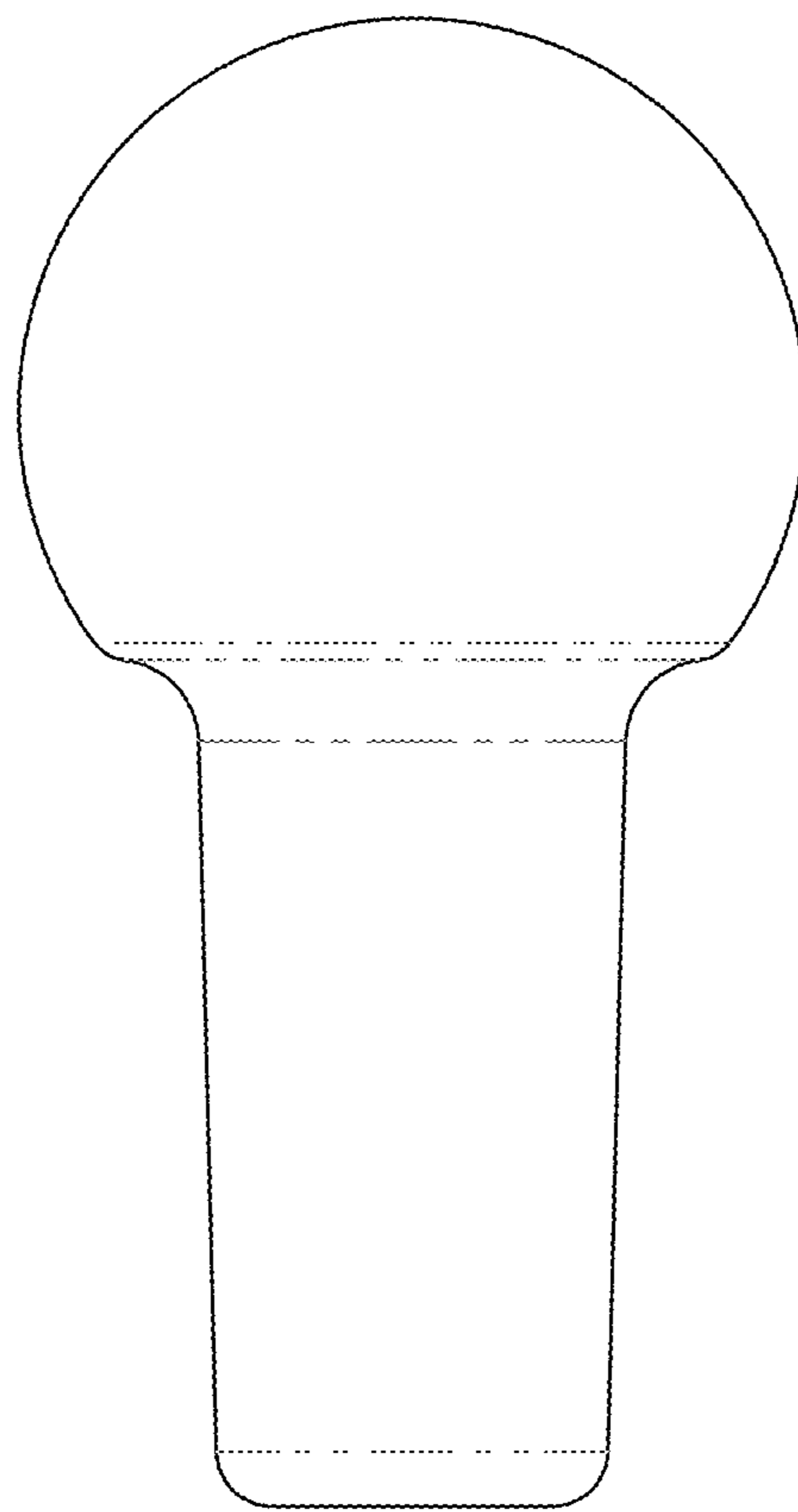


FIG. 38

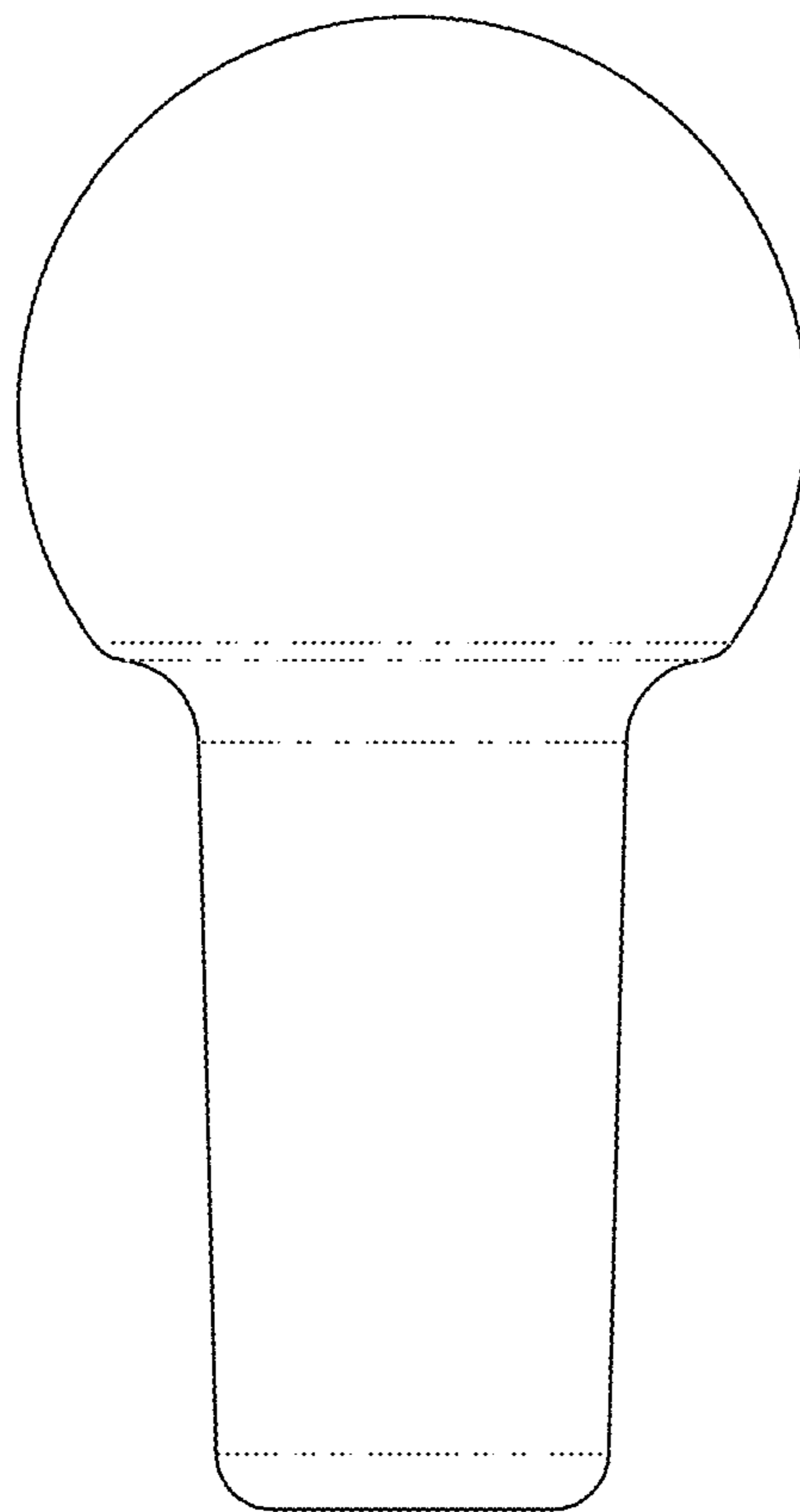


FIG. 39

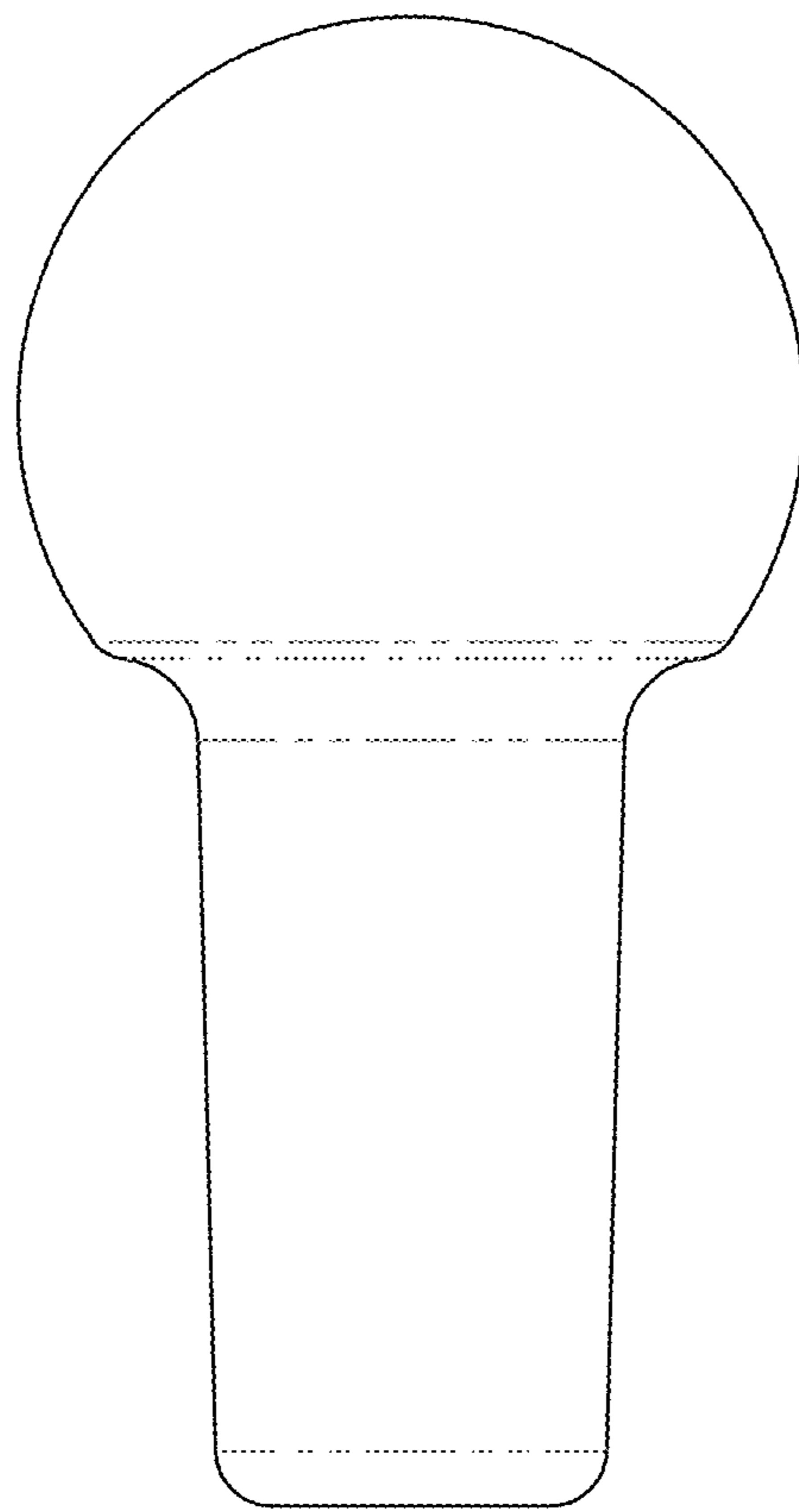


FIG. 40

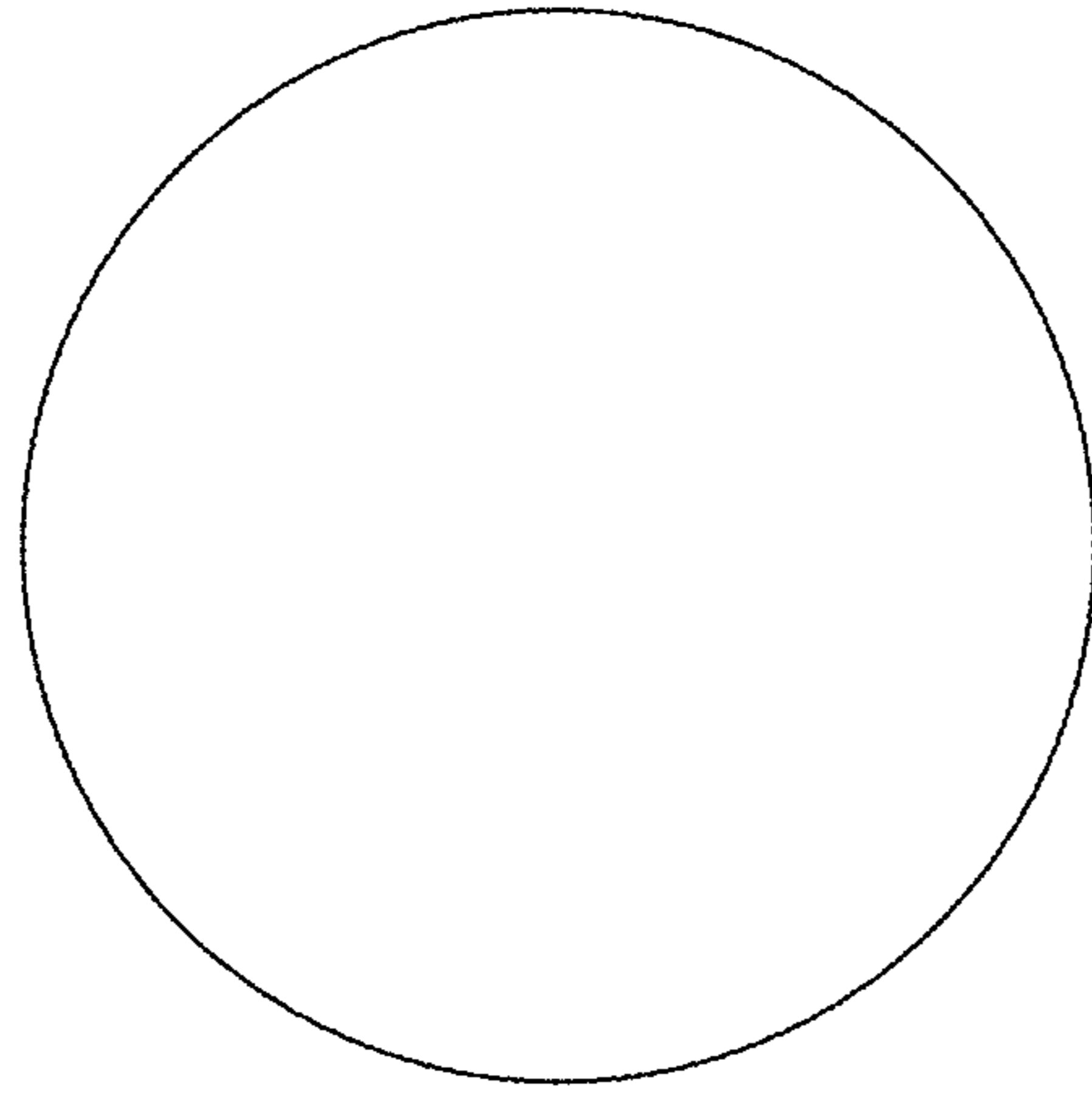


FIG. 41

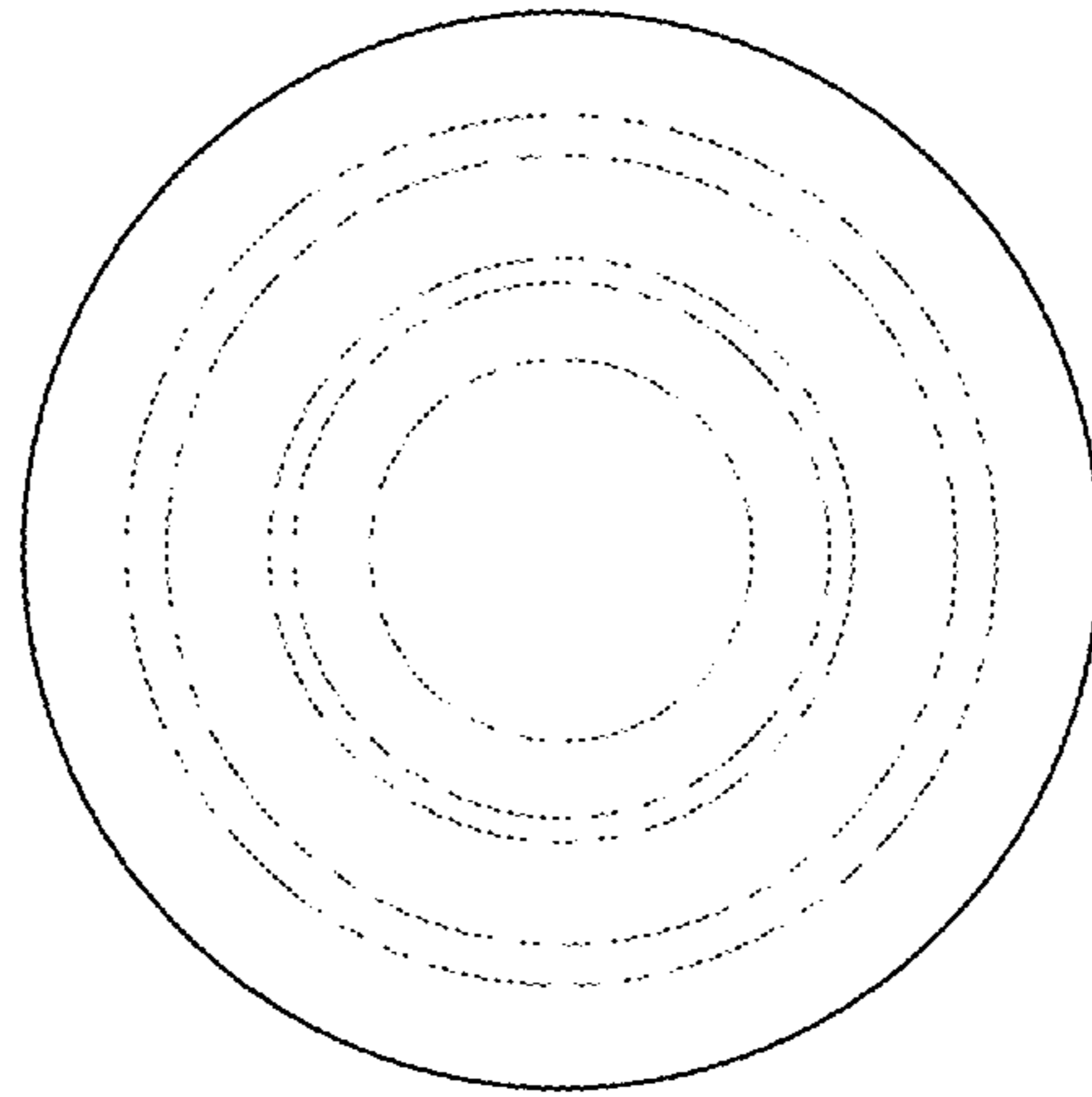


FIG. 42

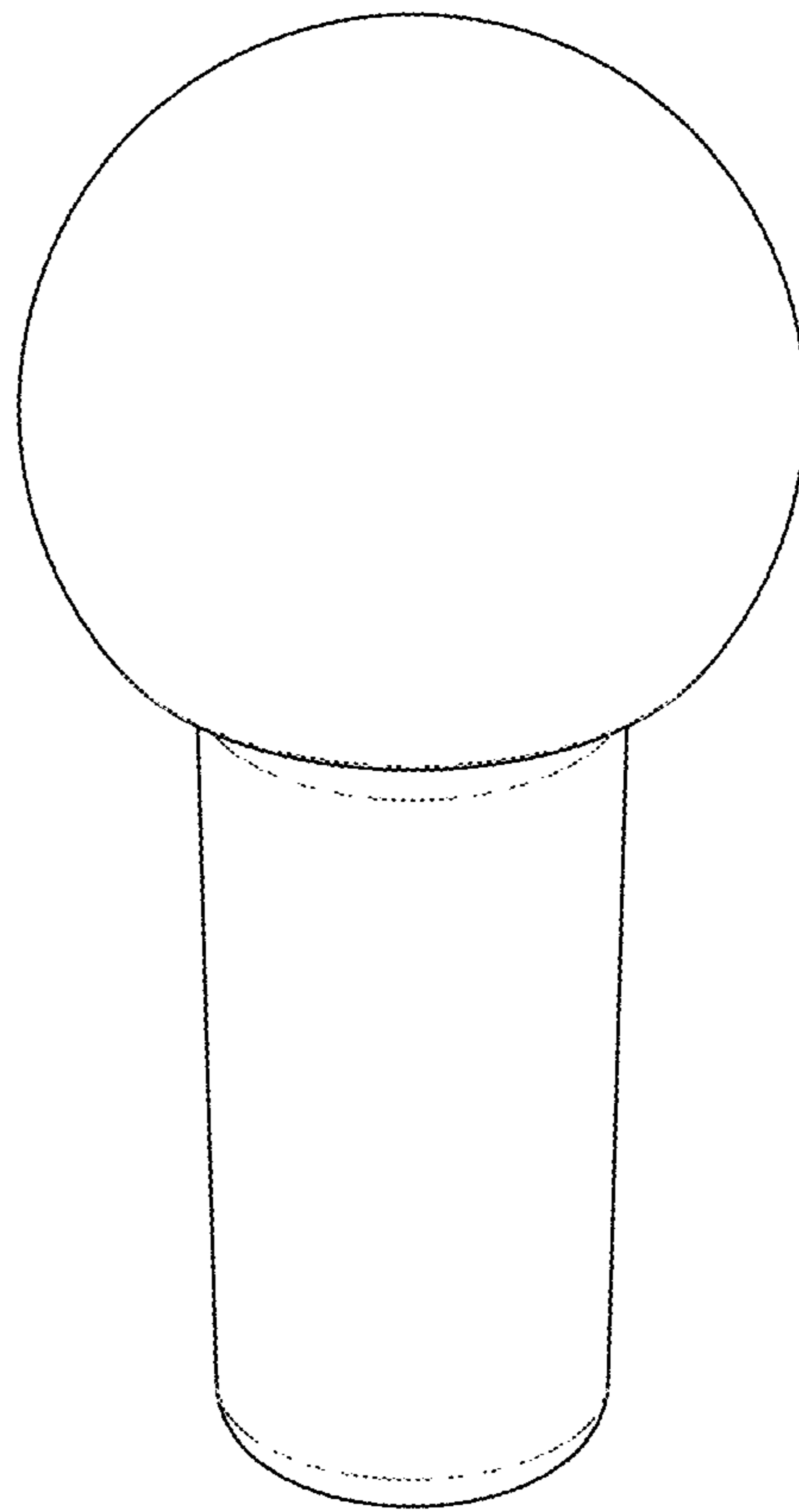


FIG. 43

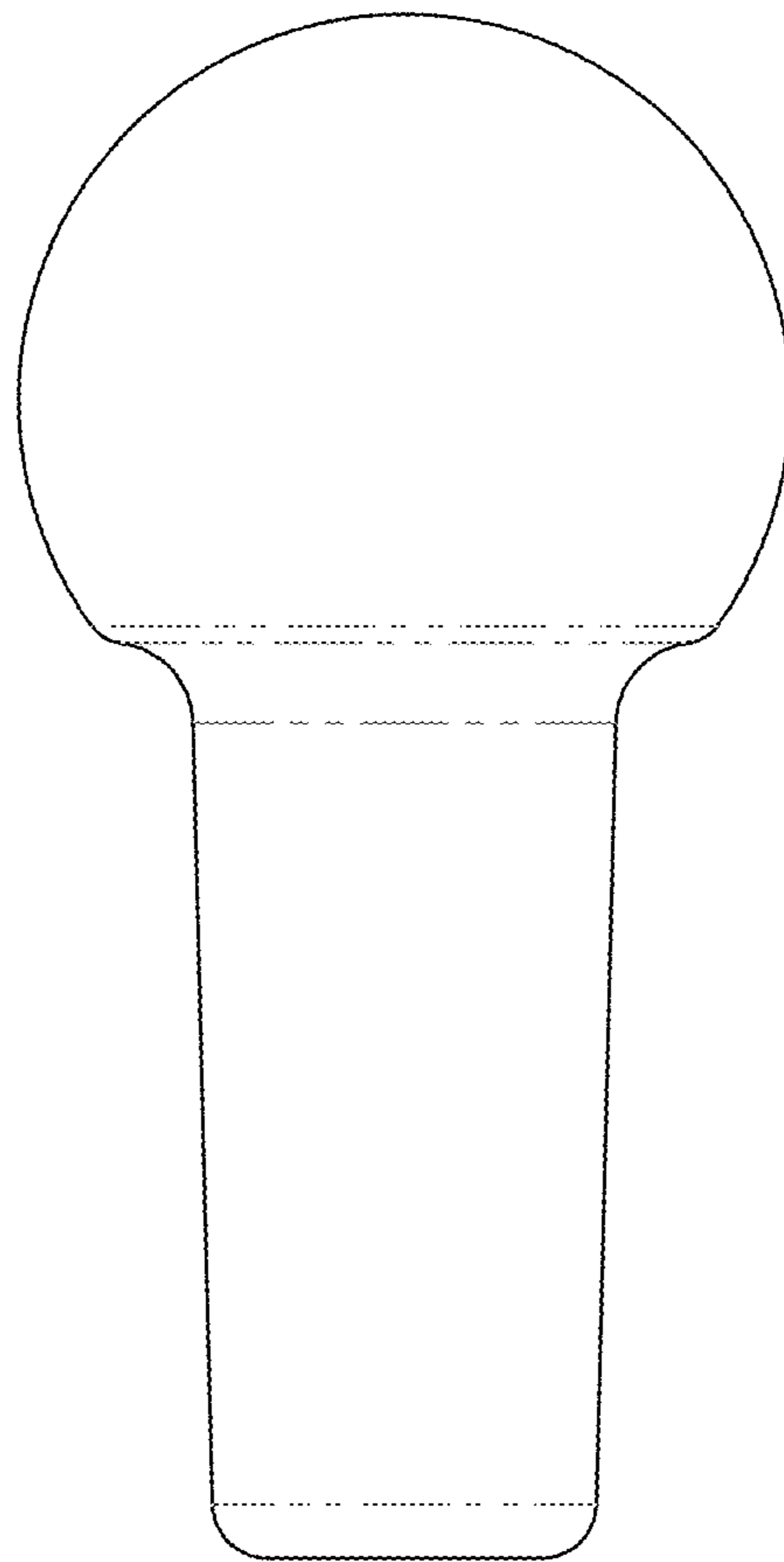


FIG. 44

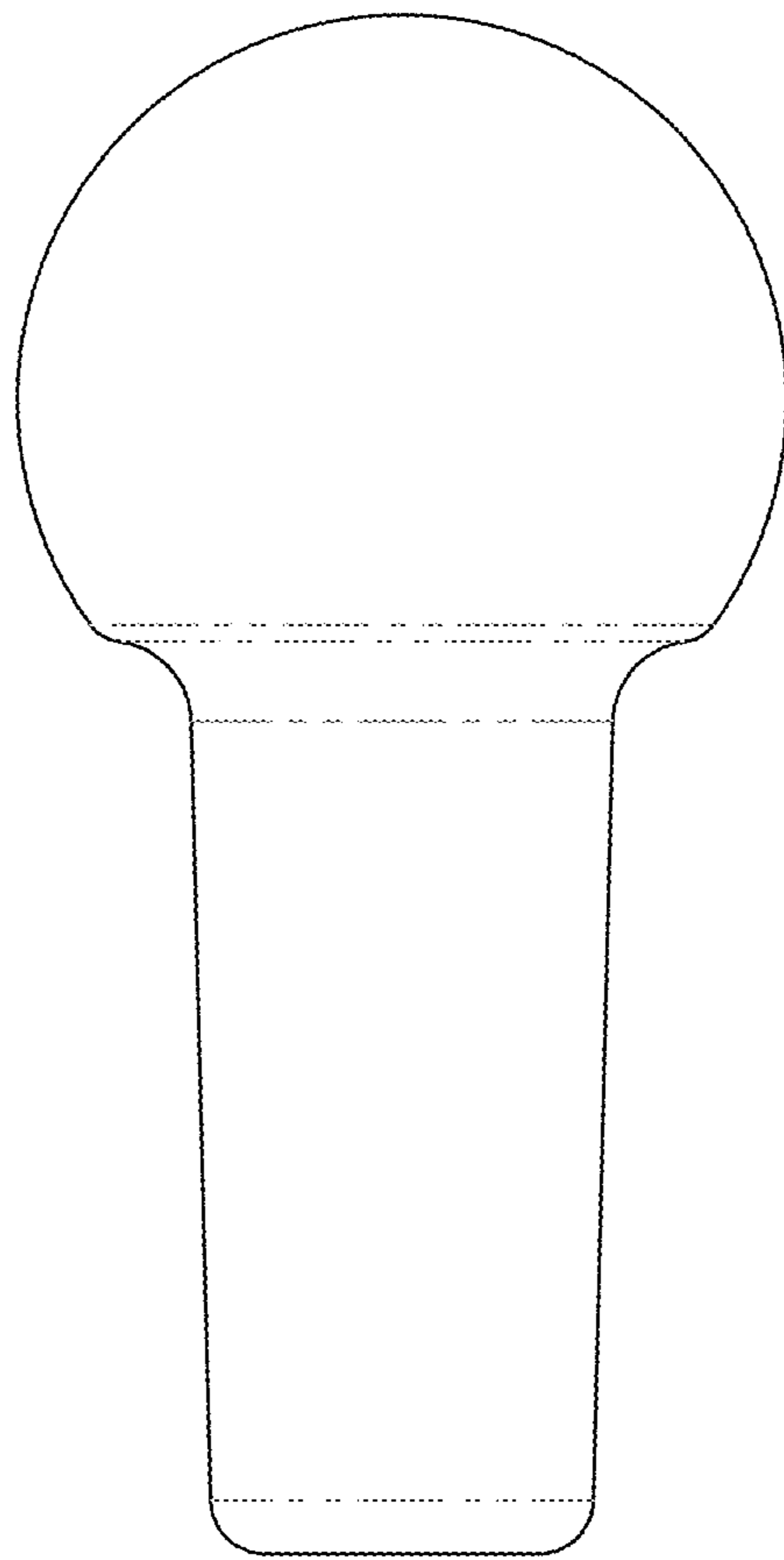


FIG. 45

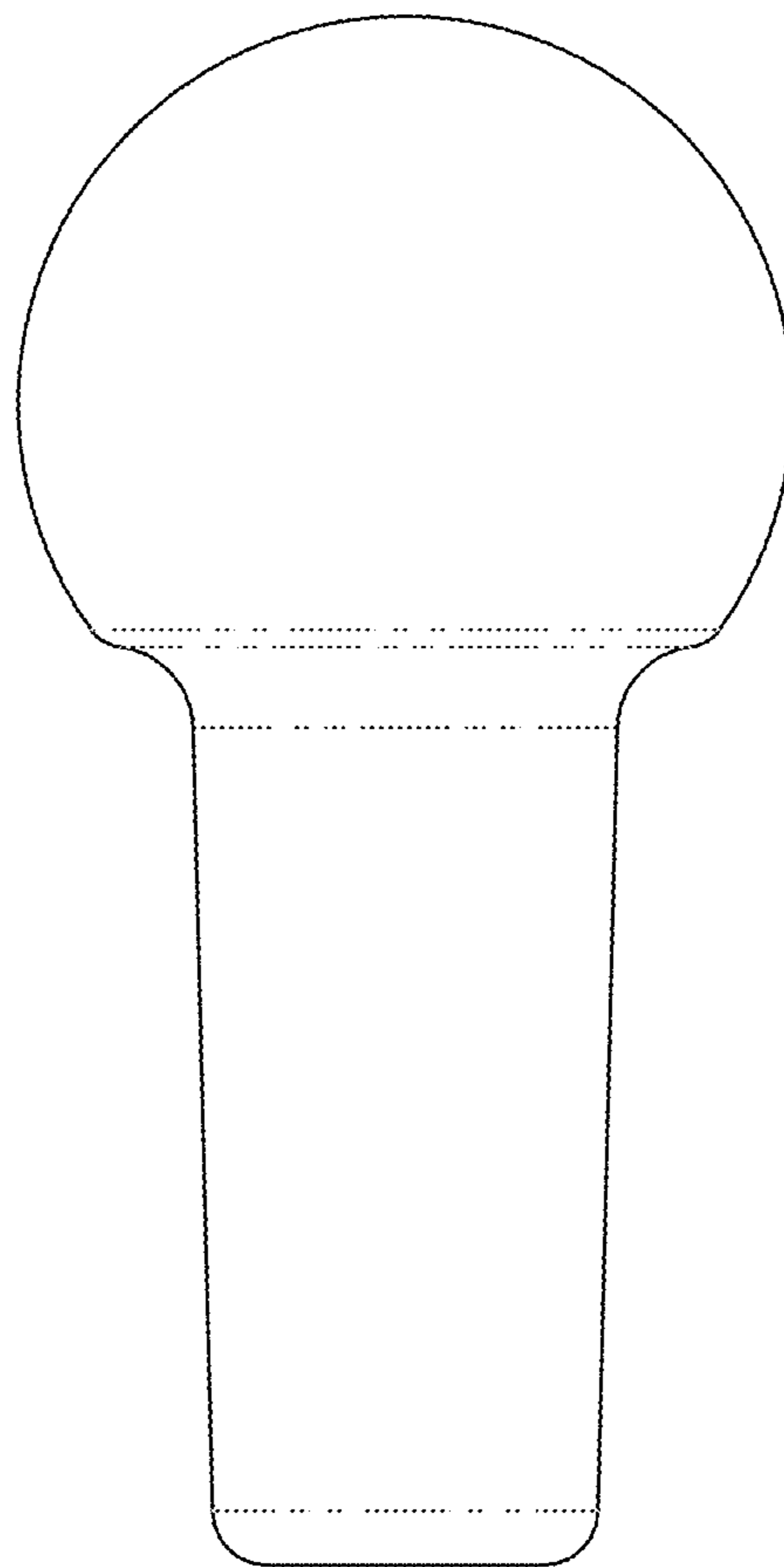


FIG. 46

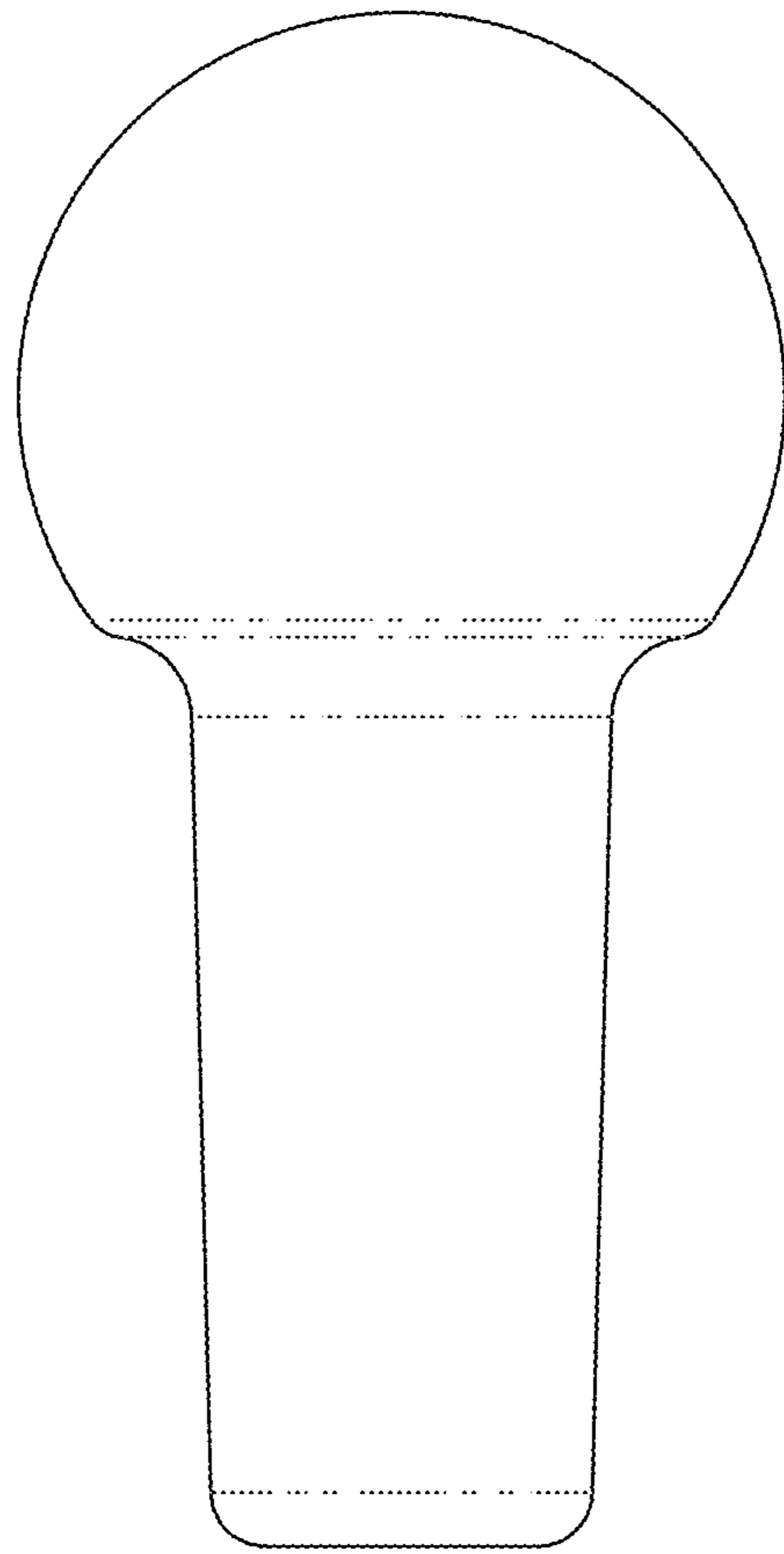


FIG. 47

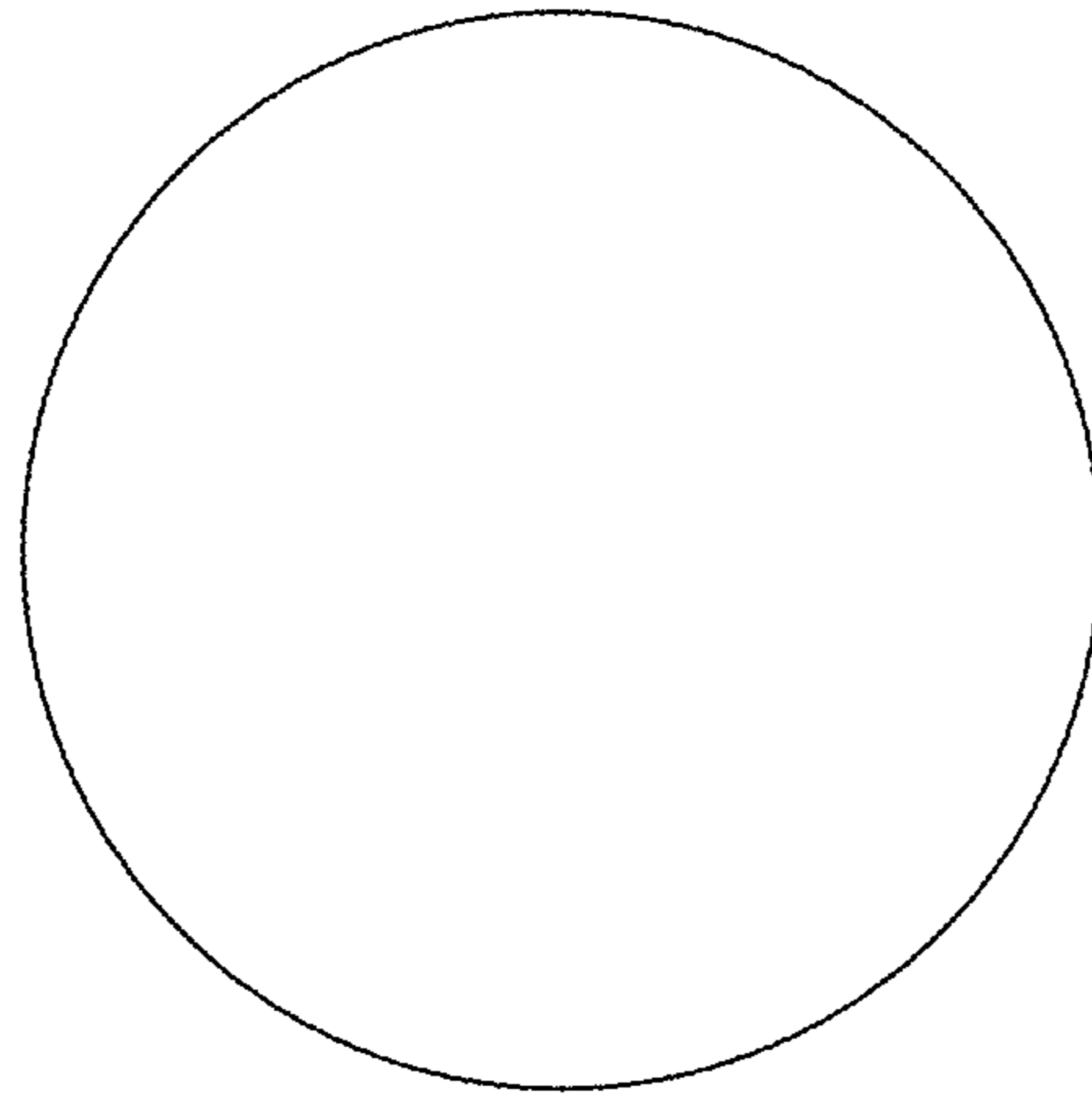


FIG. 48

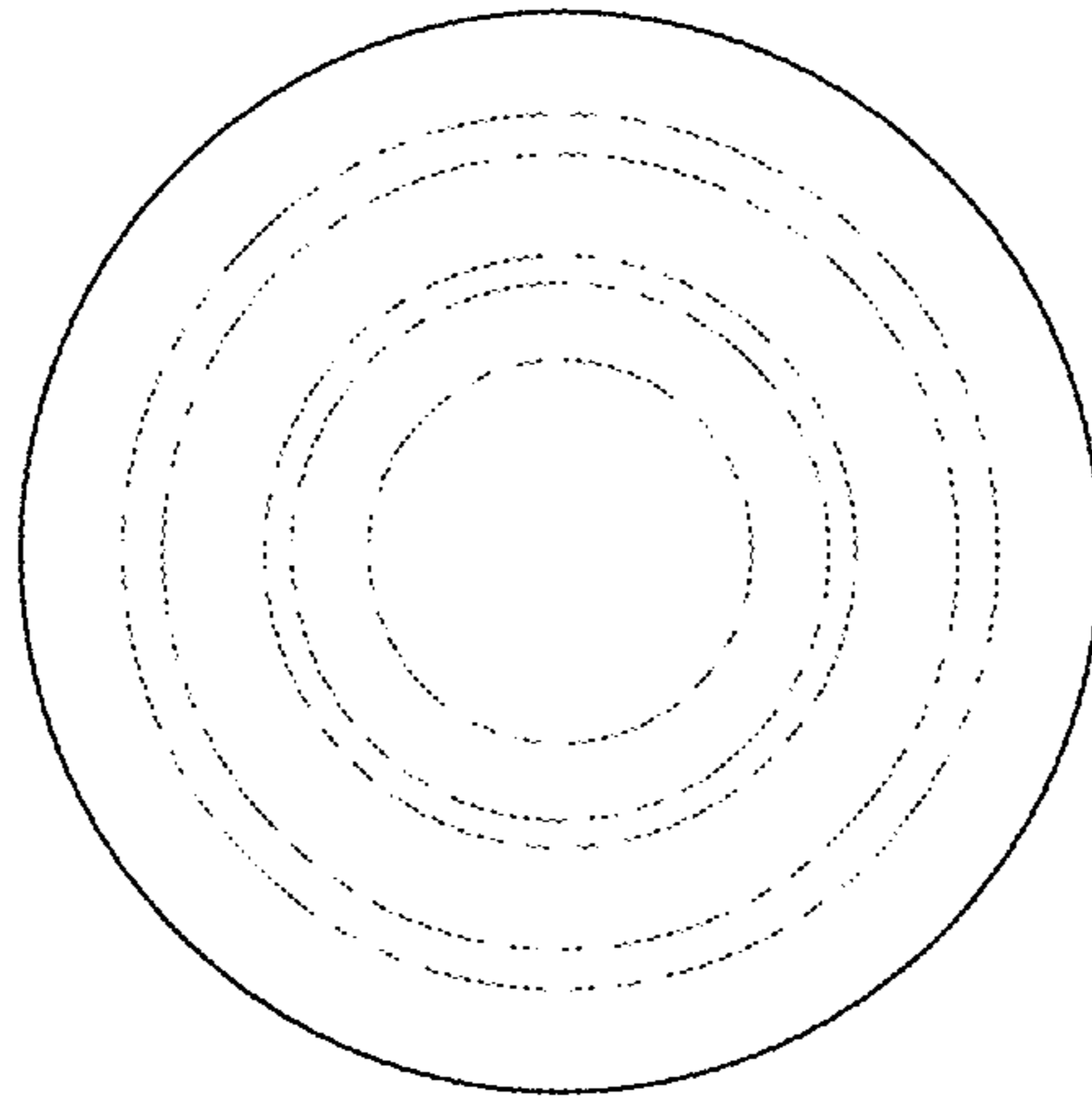


FIG. 49

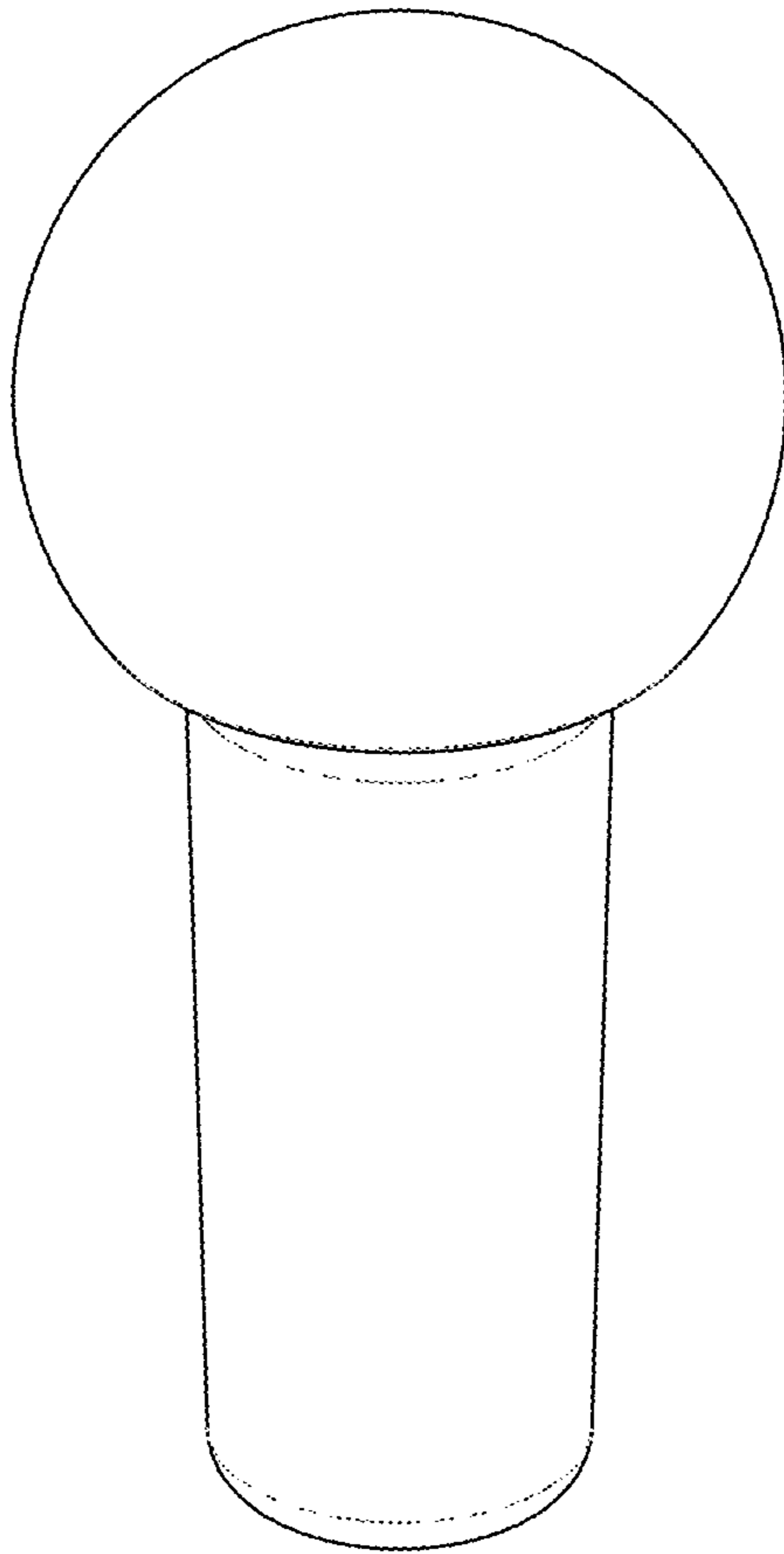


FIG. 50

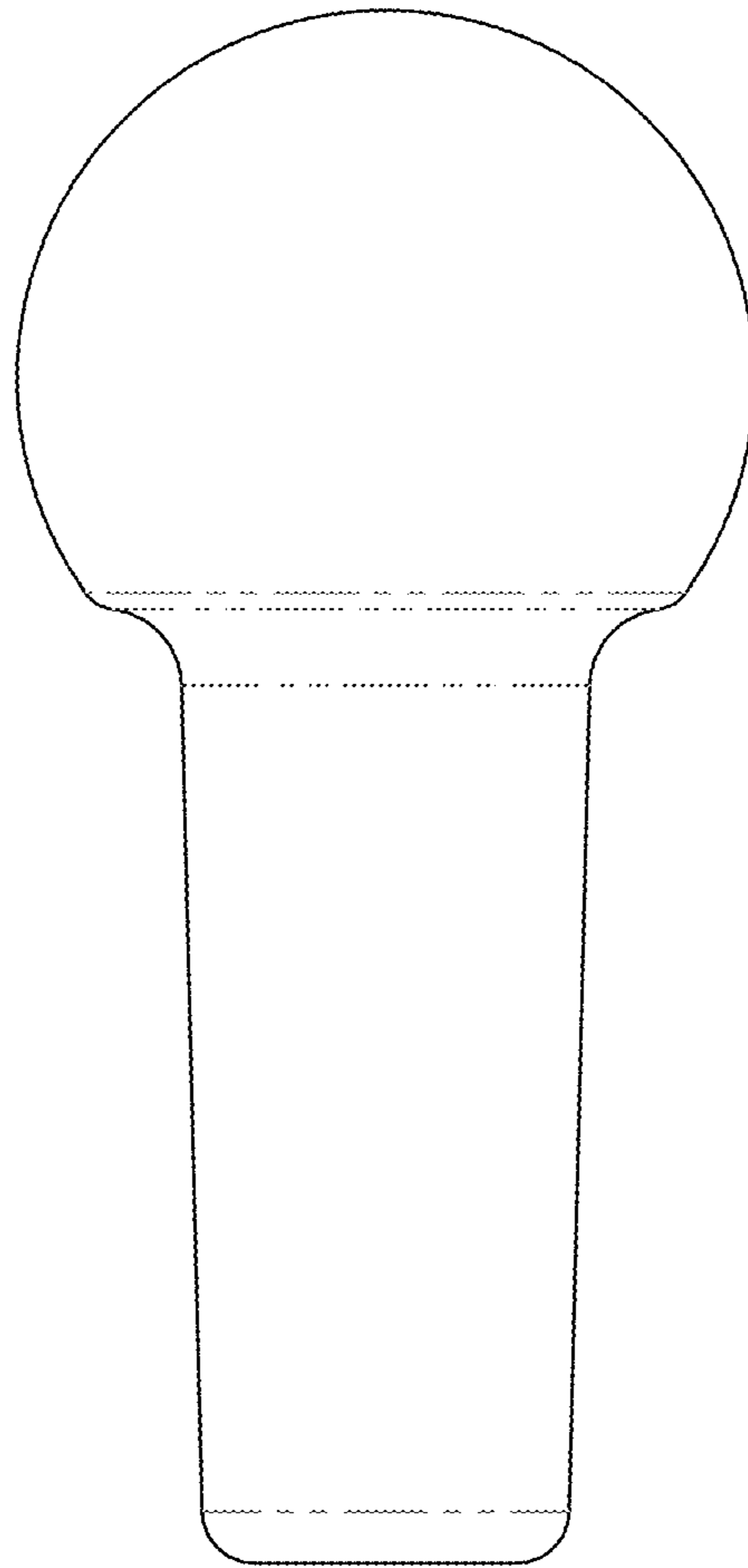


FIG. 51

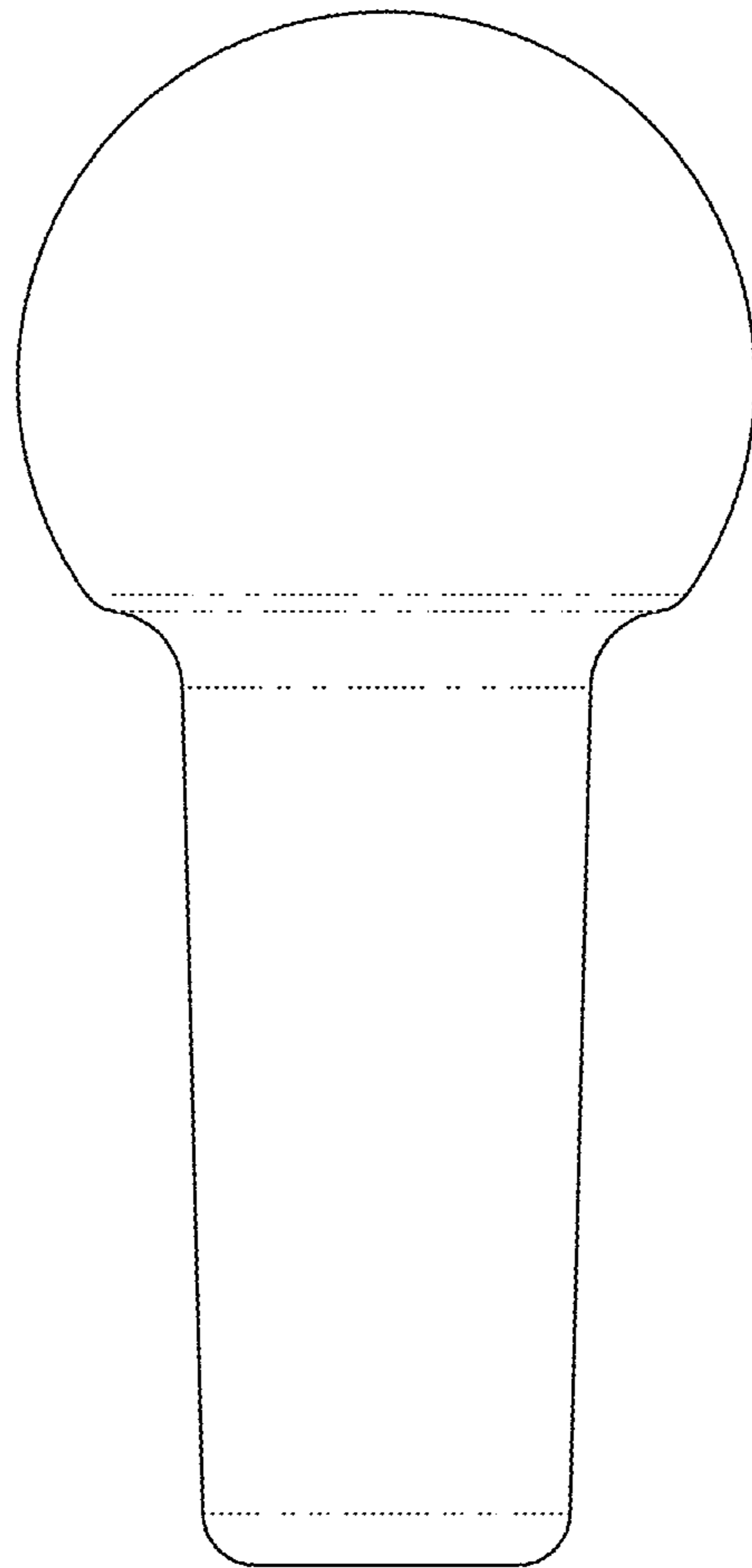


FIG. 52

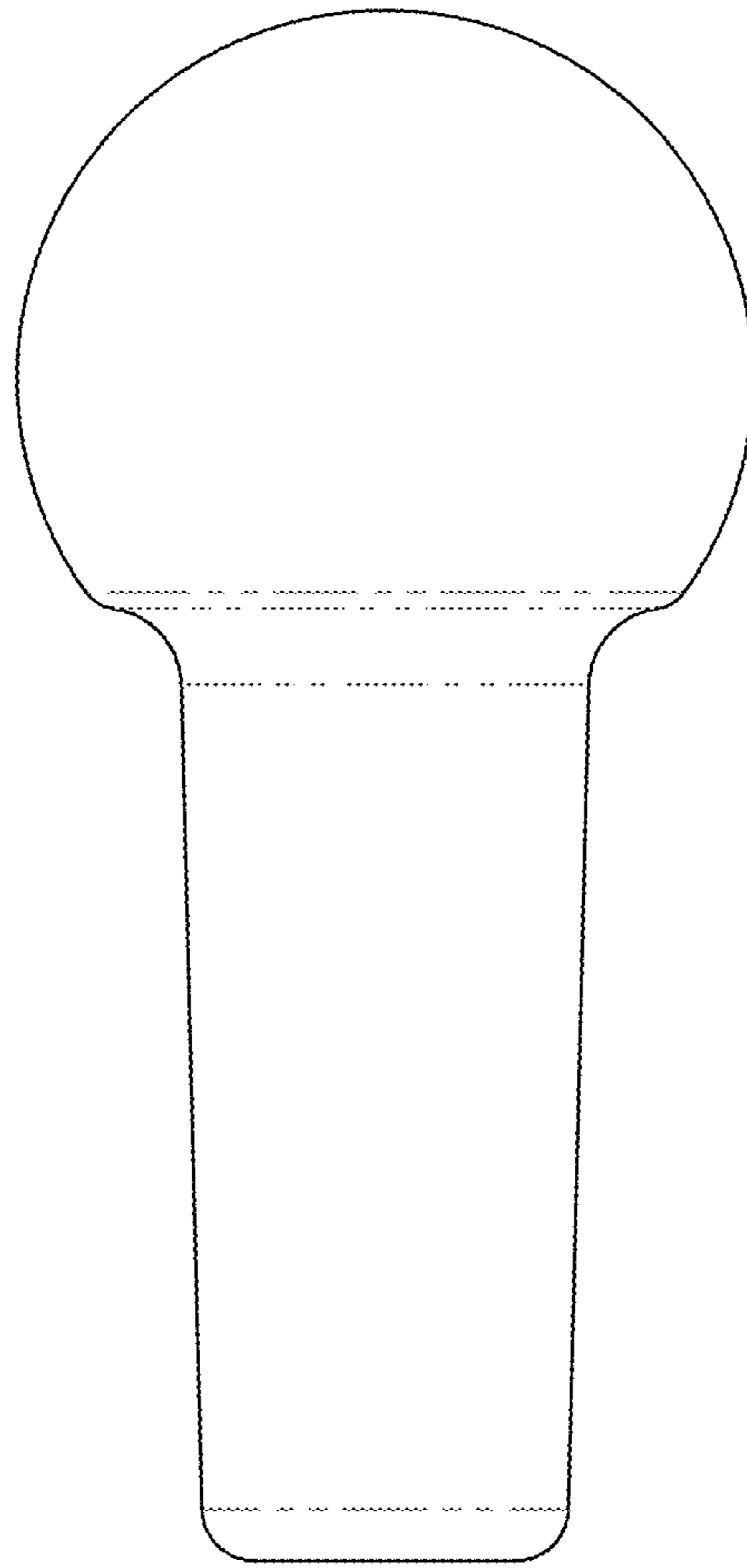


FIG. 53

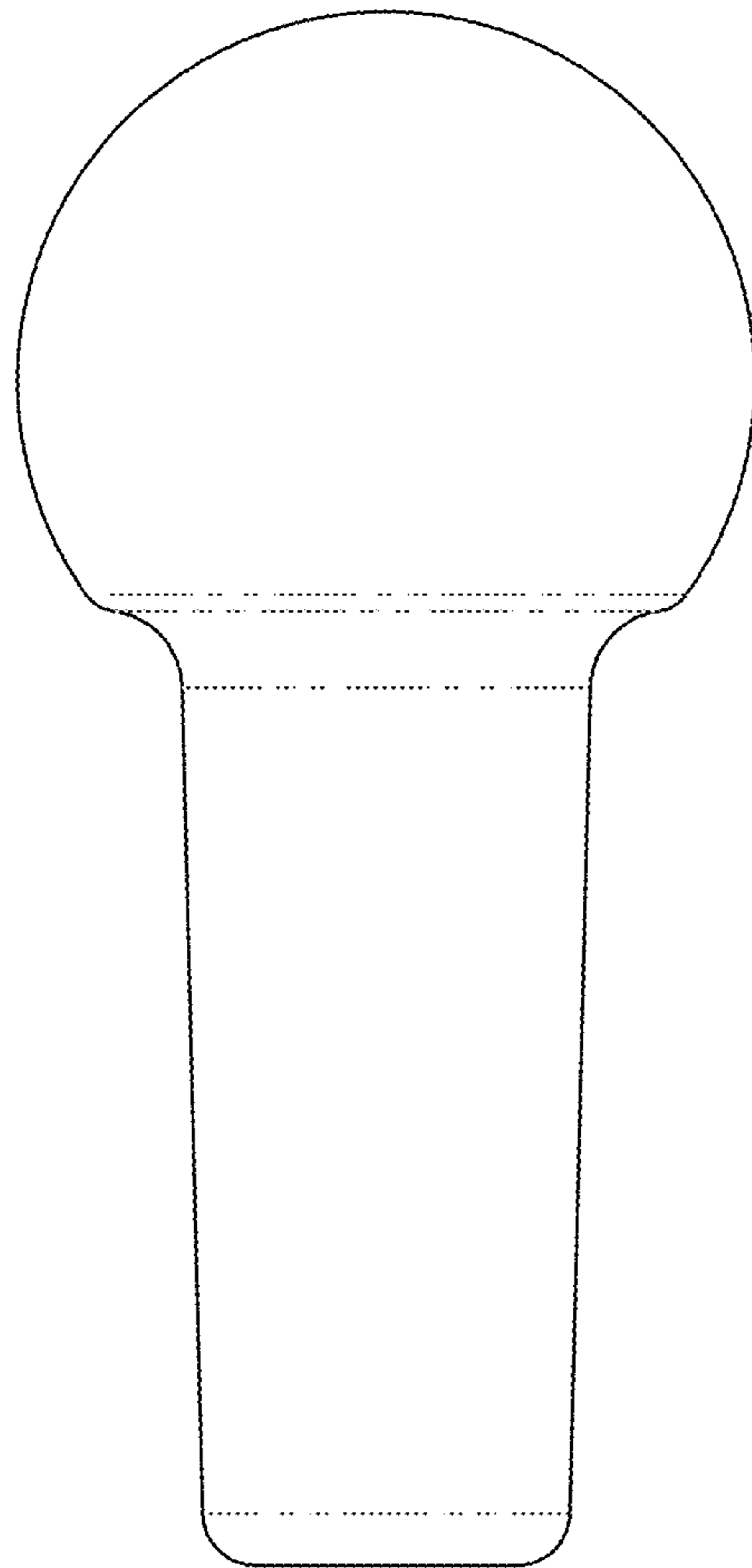


FIG. 54

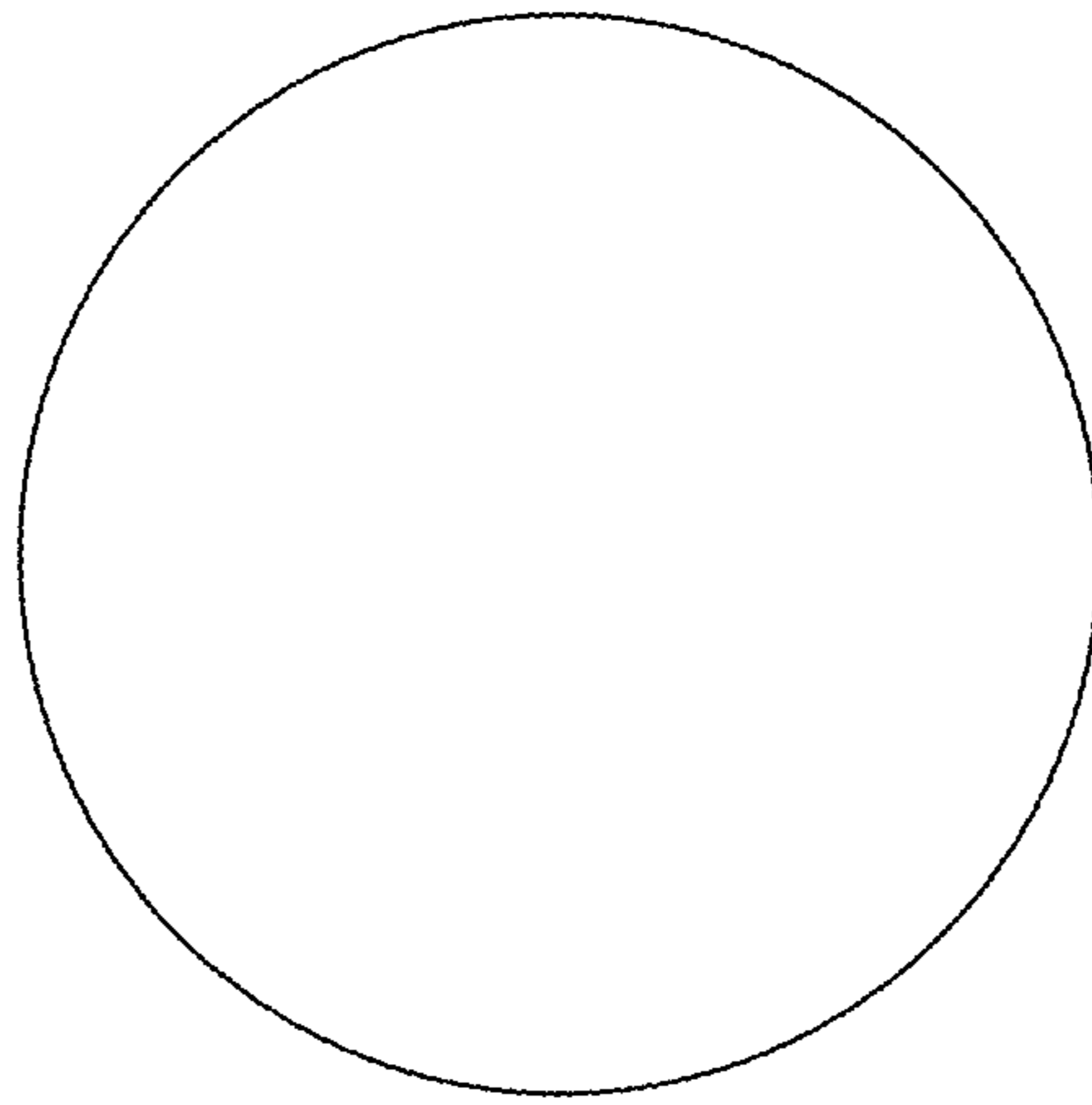


FIG. 55

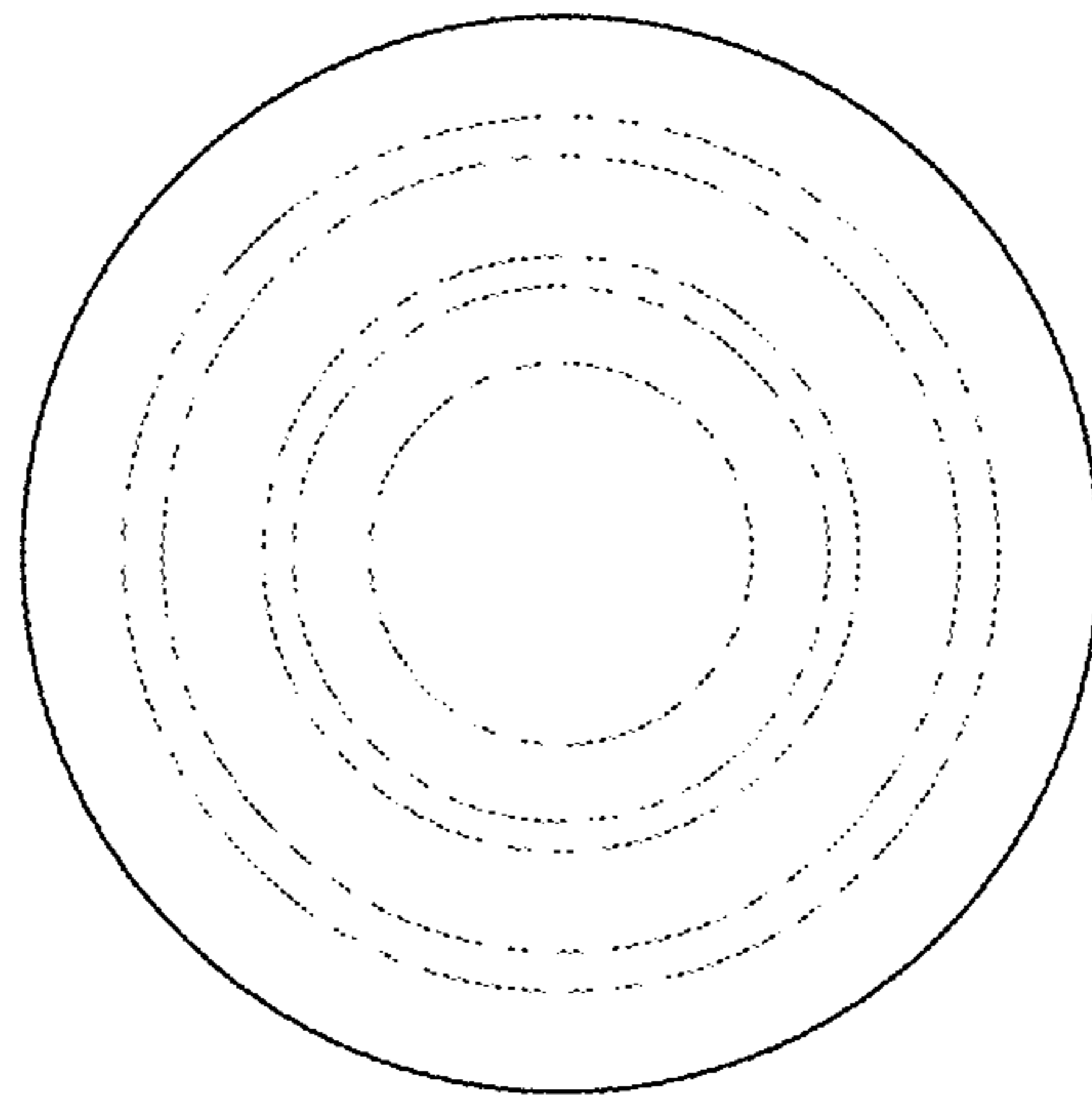


FIG. 56