



US00D858770S

(12) **United States Design Patent**
Lintula et al.

(10) **Patent No.:** **US D858,770 S**
(45) **Date of Patent:** **** Sep. 3, 2019**

(54) **GRAFT IMPLANT**

(71) Applicant: **PARAGON 28, INC.**, Englewood, CO (US)

(72) Inventors: **Eric Lintula**, Parker, CO (US); **Laura Zagrocki Brinker**, Denver, CO (US); **Jens Cole**, Golden, CO (US); **Albert DaCosta**, Lone Tree, CO (US)

(73) Assignee: **PARAGON 28, INC.**, Englewood, CO (US)

(**) Term: **15 Years**

(21) Appl. No.: **29/596,474**

(22) Filed: **Mar. 8, 2017**

(51) **LOC (12) Cl.** **24-03**

(52) **U.S. Cl.**
USPC **D24/155**

(58) **Field of Classification Search**
USPC D24/155
CPC A61B 17/8061; A61B 17/7059; A61B 17/8052; A61B 17/8605; A61B 17/8085; A61B 17/809; A61B 17/8014; A61B 17/8033; A61B 17/8004; A61B 17/888;
(Continued)

(56) **References Cited**

U.S. PATENT DOCUMENTS

6,562,071 B2 * 5/2003 Jarvinen A61F 2/0811
606/232
7,491,226 B2 * 2/2009 Palmaz A61F 2/07
623/1.13

(Continued)

Primary Examiner — Charles D Hanson

(74) *Attorney, Agent, or Firm* — Heslin Rothenberg Farley & Mesiti P.C.

(57) **CLAIM**

The ornamental design for a graft implant, as shown and described.

DESCRIPTION

FIG. 1 is a front perspective view of the graft implant comprising the new design;

FIG. 2 is a left elevational view of the design of FIG. 1, where the right, front and back views are mirror images thereof; and

FIG. 3 is a top view of the design of FIG. 1; where the bottom view is a mirror image thereof.

FIG. 4 is a front perspective view of an alternative embodiment of the graft implant of FIG. 1;

FIG. 5 is a left elevational view of the design of FIG. 4, where the right, front and back views are mirror images thereof; and

FIG. 6 is a top view of the design of FIG. 4; where the bottom view is a mirror image thereof.

FIG. 7 is a front perspective view of a further alternative embodiment of the graft implant of FIG. 1;

FIG. 8 is a front elevational view of the design of FIG. 7, where the back view is a mirror image thereof;

FIG. 9 is a right side elevational view of the design of FIG. 7;

FIG. 10 is a left side elevational view of the design of FIG. 7;

FIG. 11 is a top view of the design of FIG. 7; and

FIG. 12 is a bottom view of the design of FIG. 7.

FIG. 13 is a front perspective view of an alternative embodiment of the graft implant of FIG. 7;

FIG. 14 is a front elevational view of the design of FIG. 13, where the back view is a mirror image thereof;

FIG. 15 is a right side elevational view of the design of FIG. 13;

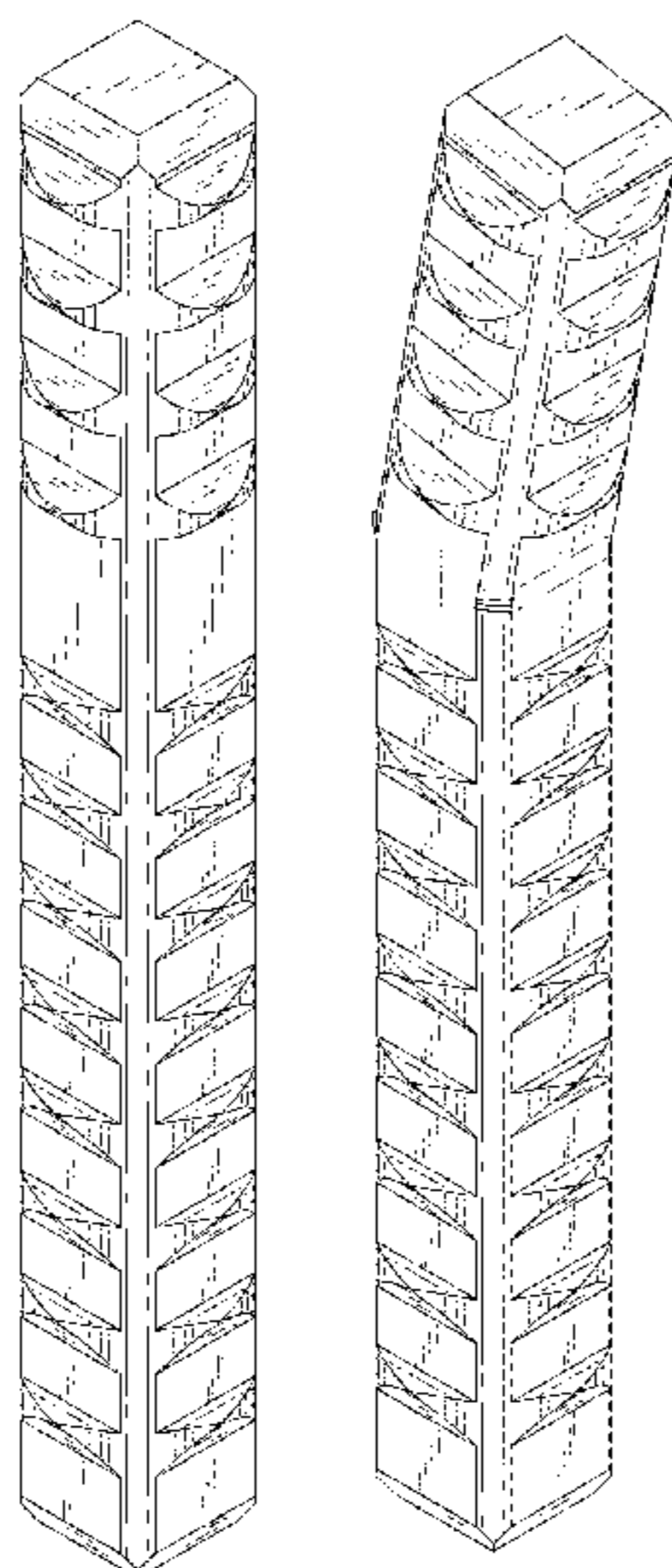
FIG. 16 is a left side elevational view of the design of FIG. 13;

FIG. 17 is a top view of the design of FIG. 13; and,

FIG. 18 is a bottom view of the design of FIG. 13.

The relatively light uneven broken lines shown in the figures represent surface contour, not surface decoration.

1 Claim, 6 Drawing Sheets



(58) **Field of Classification Search**

CPC A61B 17/842; A61B 17/8023; A61B
17/8009; A61B 17/86; A61B 17/1739;
A61B 17/8066; A61B 17/1671; A61B
17/1757; A61B 17/8071; A61B 17/176;
A61B 2017/1782; A61B 2017/1775

See application file for complete search history.

(56) **References Cited**

U.S. PATENT DOCUMENTS

8,226,714 B2 * 7/2012 Beck, Jr. A61F 2/0811
623/13.12
8,858,565 B1 * 10/2014 Hoof A61B 17/8888
606/104
8,906,028 B2 * 12/2014 Kleiner A61F 2/4455
606/93
9,510,940 B2 * 12/2016 Chen A61F 2/186

* cited by examiner

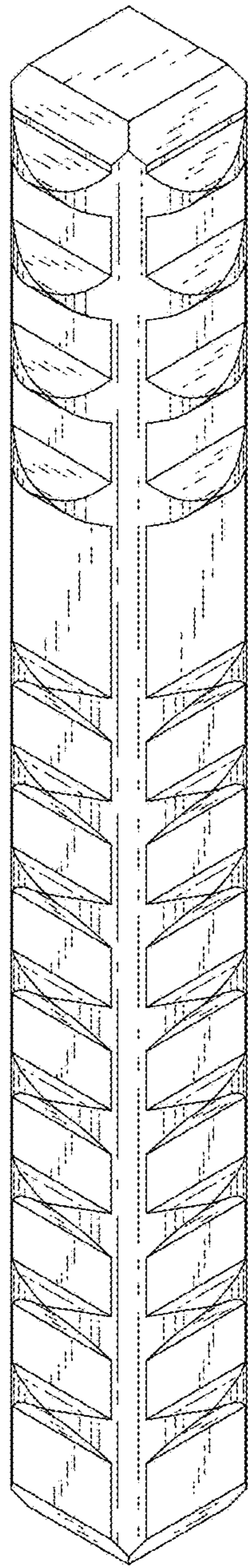


FIG. 1

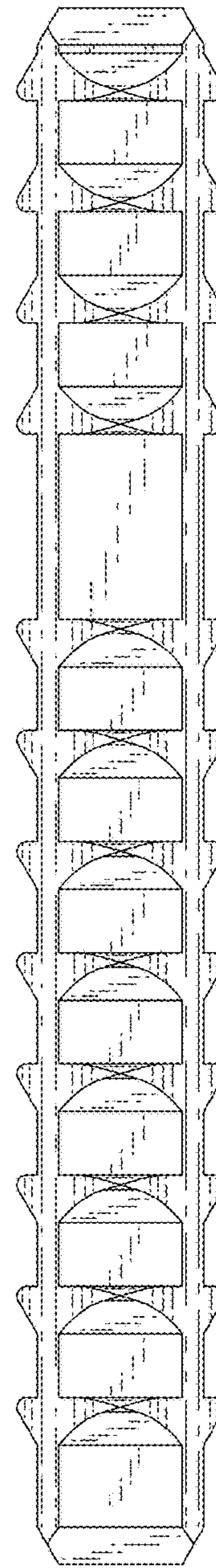


FIG. 2

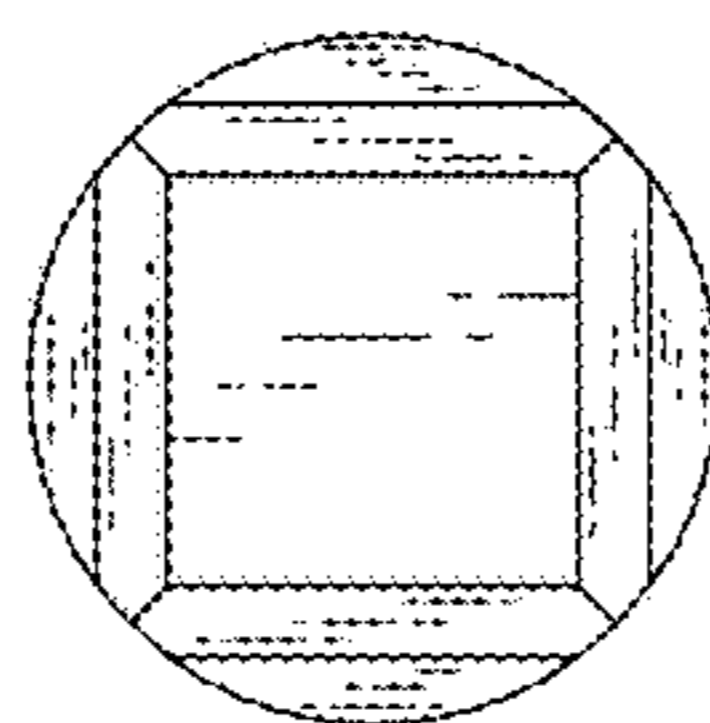


FIG. 3

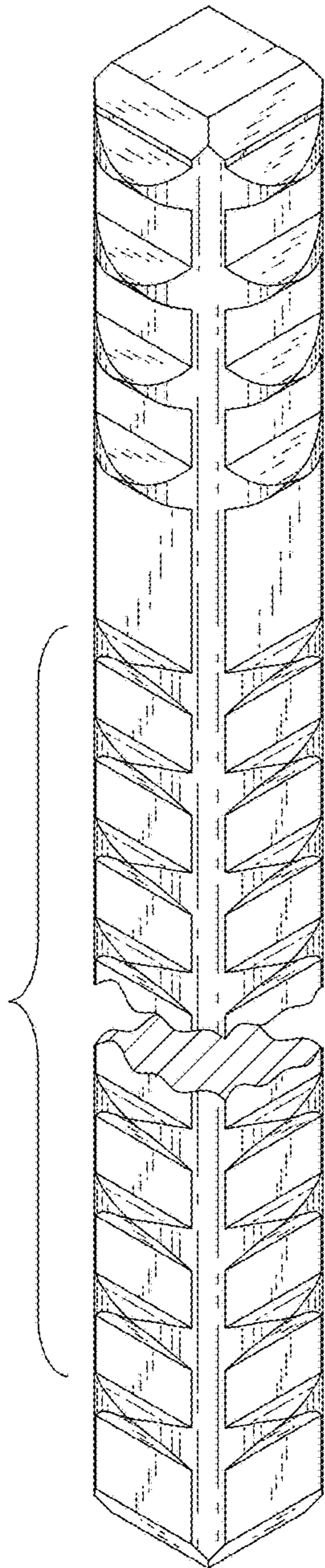


FIG. 4

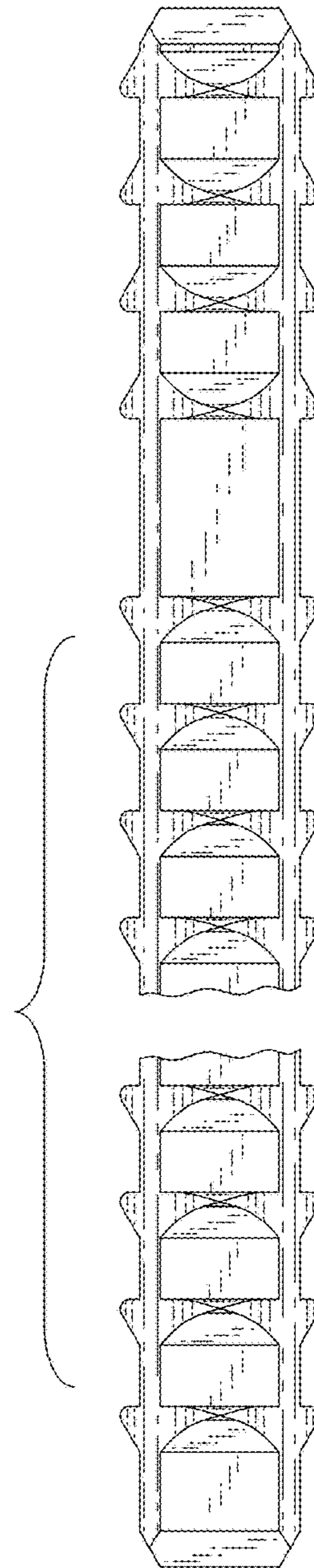


FIG. 5

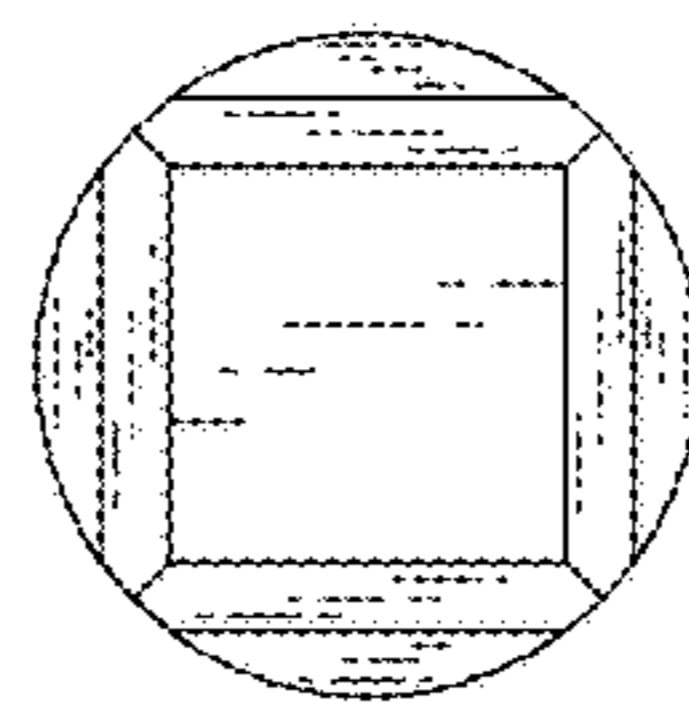


FIG. 6

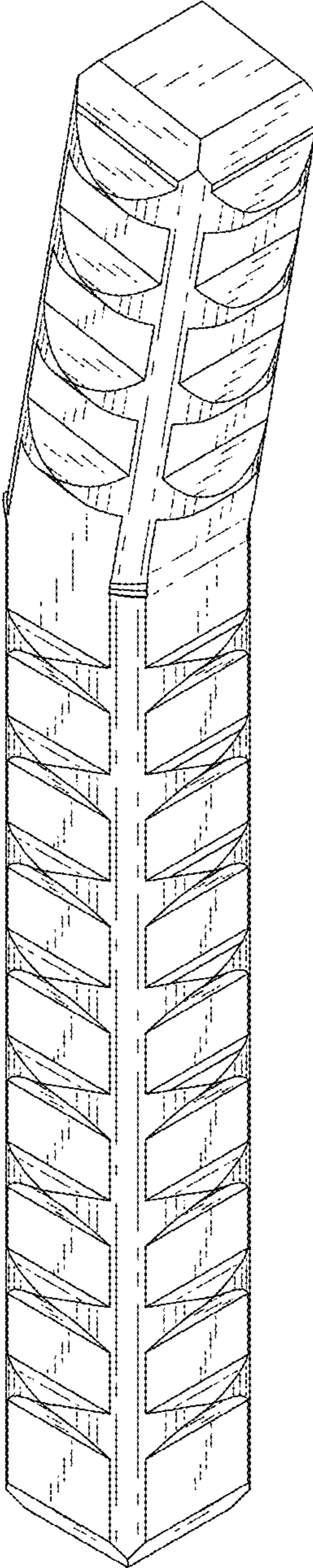


FIG. 7

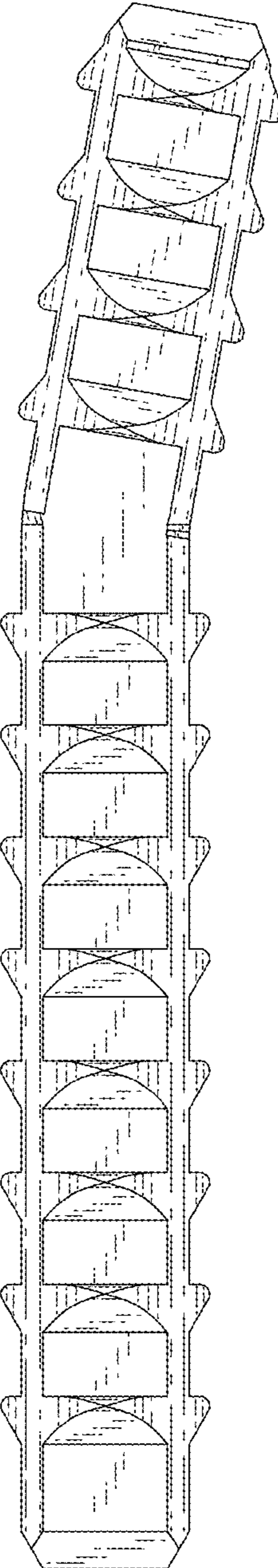


FIG. 8

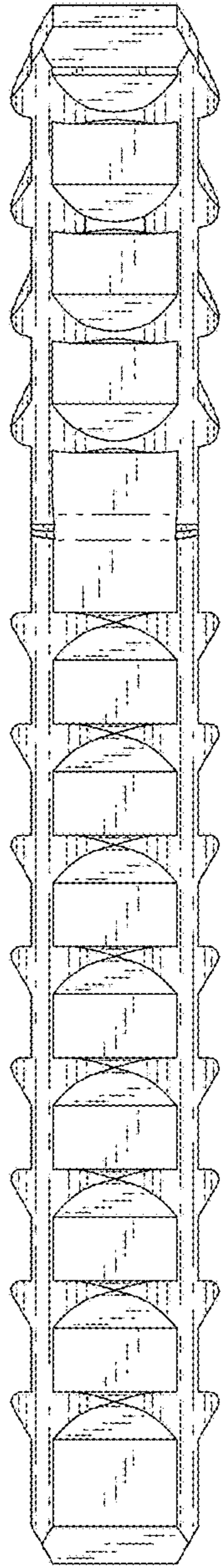


FIG. 9

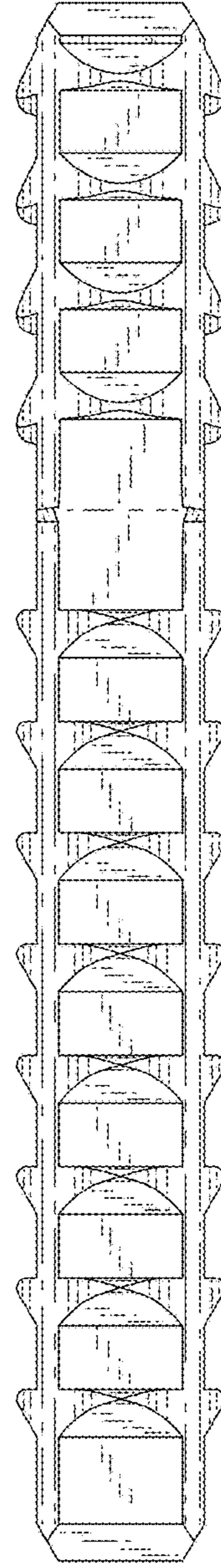


FIG. 10

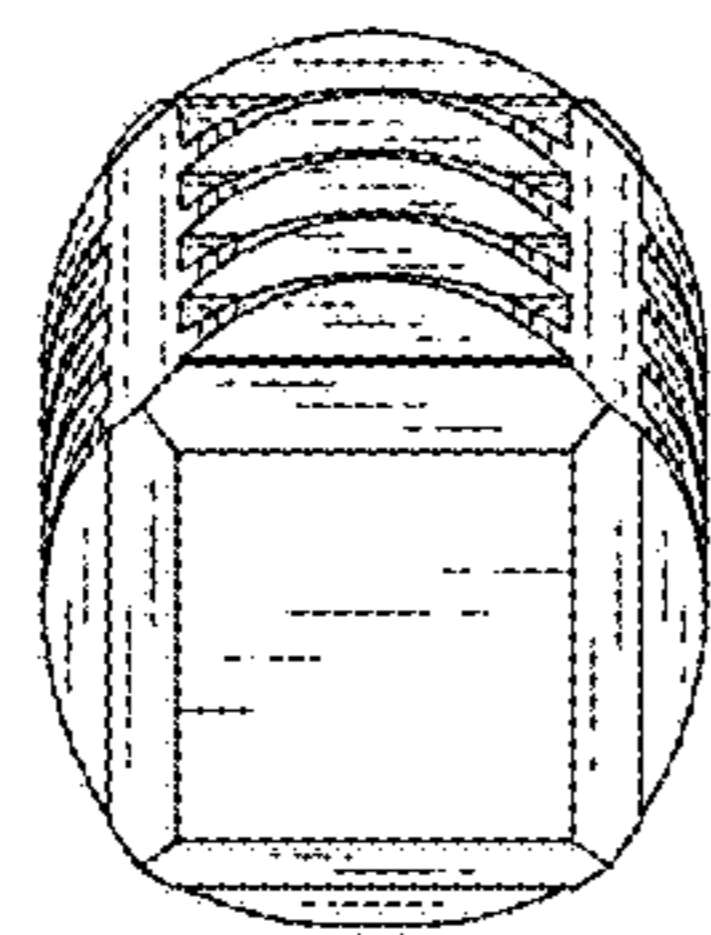


FIG. 11

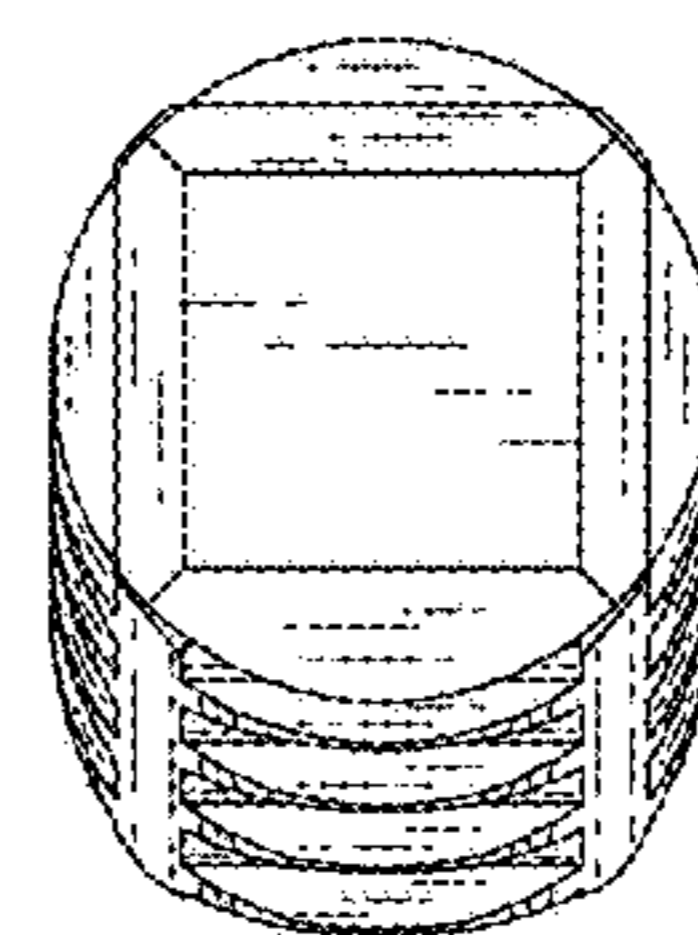


FIG. 12

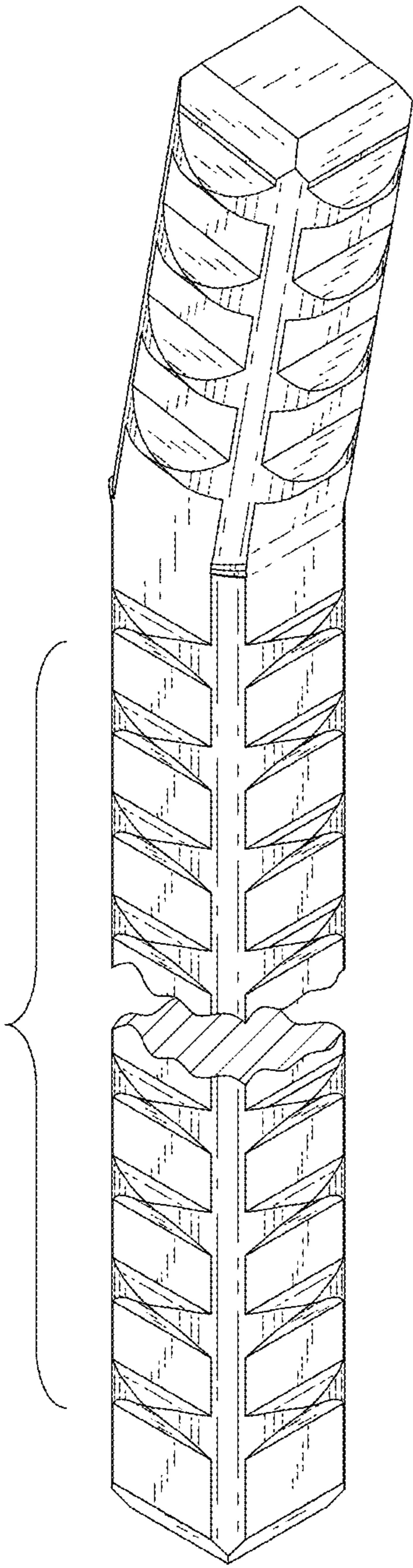


FIG. 13

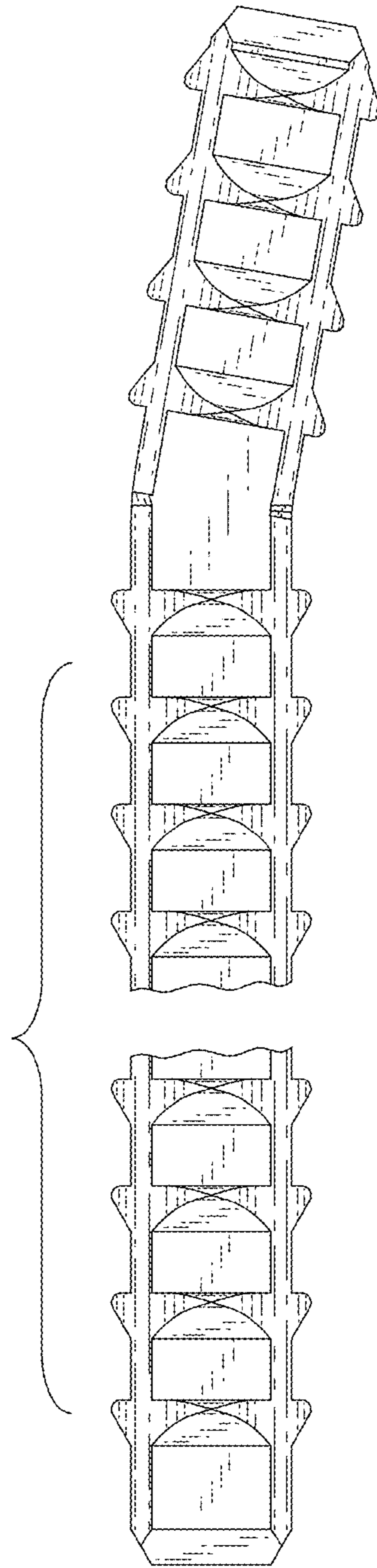


FIG. 14

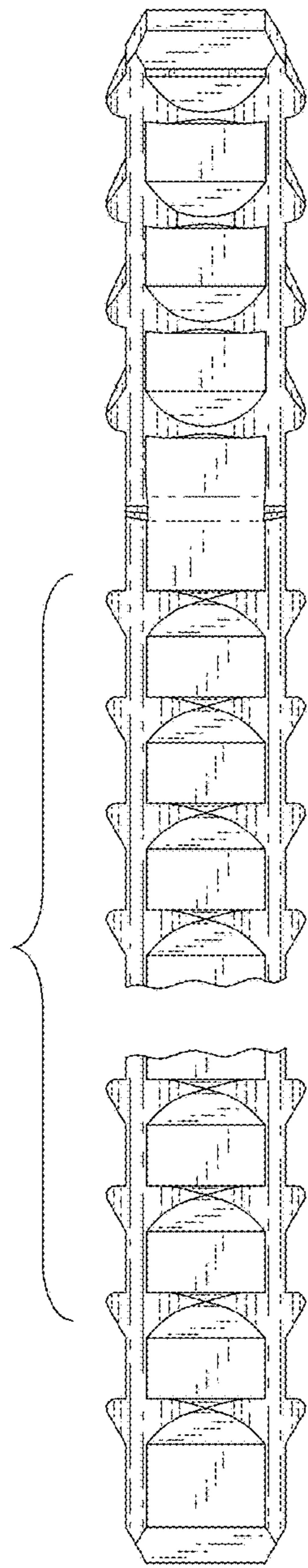


FIG. 15

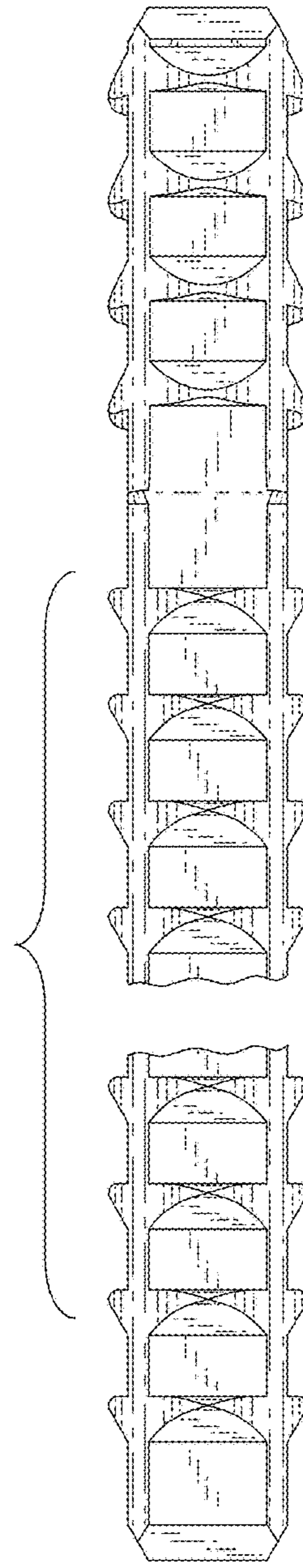


FIG. 16

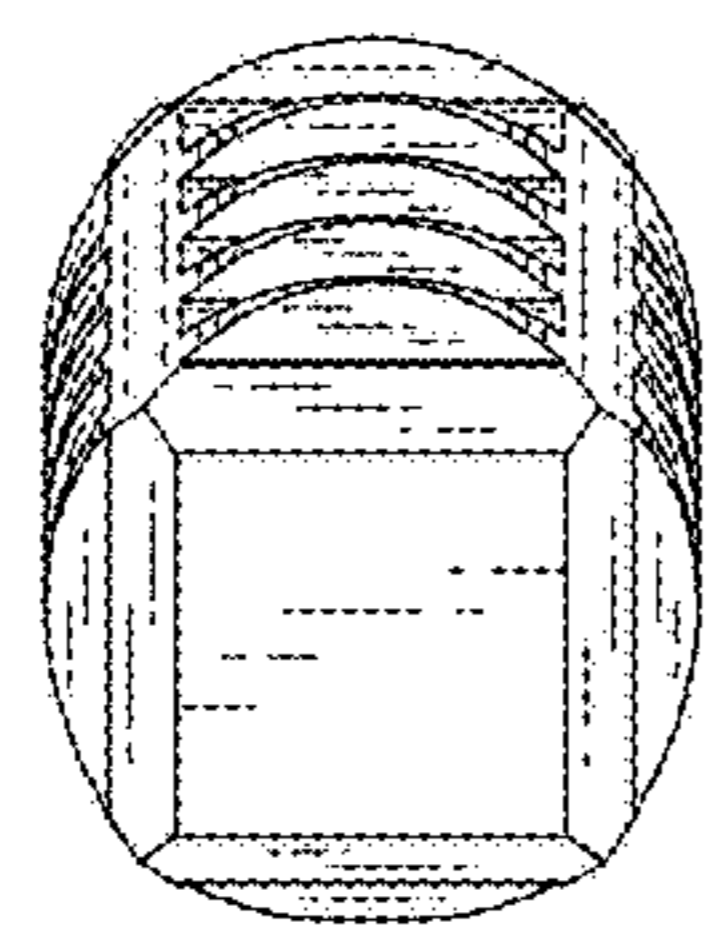


FIG. 17

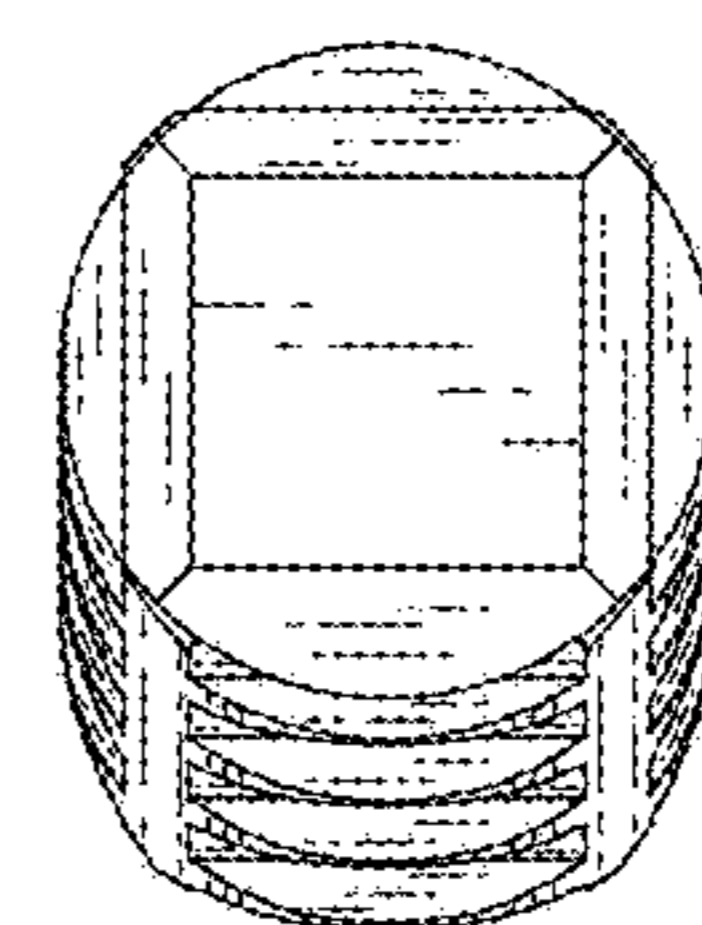


FIG. 18