



US00D858769S

(12) **United States Design Patent** (10) **Patent No.:** **US D858,769 S**  
**Barela et al.** (45) **Date of Patent:** **\*\* Sep. 3, 2019**

- (54) **INTERVERTEBRAL IMPLANT**
- (71) Applicant: **NuVasive, Inc.**, San Diego, CA (US)
- (72) Inventors: **Michael Barela**, San Diego, CA (US);  
**Chad Grant**, Escondido, CA (US)
- (73) Assignee: **NuVasive, Inc.**, San Diego, CA (US)
- (\*\*) Term: **15 Years**
- (21) Appl. No.: **29/596,083**
- (22) Filed: **Mar. 6, 2017**

4,878,915 A	11/1989	Brantigan
4,892,545 A	1/1990	Day
4,904,261 A	2/1990	Dove
4,932,975 A	6/1990	Main
4,946,378 A	8/1990	Hirayama et al.
4,961,740 A	10/1990	Ray
5,002,576 A	3/1991	Schmitz et al.
5,015,247 A	5/1991	Michelson
5,026,373 A	6/1991	Ray
5,047,055 A	9/1991	Bao
5,055,104 A	10/1991	Ray
5,062,850 A	11/1991	MacMillan
5,071,437 A	12/1991	Steffee
5,171,278 A	12/1992	Pisharodi
5,263,953 A	11/1993	Bagby
5,290,494 A	3/1994	Coombes
5,306,307 A	4/1994	Senter
5,306,309 A	4/1994	Wagner
5,364,400 A	11/1994	Rego
5,397,364 A	3/1995	Kozak
5,405,391 A	4/1995	Hednerson
5,413,602 A	5/1995	Metz-Stavenhagen
5,425,772 A	6/1995	Brantigan
5,425,773 A	6/1995	Boyd et al.
5,431,658 A	7/1995	Moskovich
5,443,514 A	8/1995	Steffee
5,443,515 A	8/1995	Cohen
5,454,811 A	10/1995	Huebner
5,458,638 A	10/1995	Kuslich
5,484,437 A	1/1996	Michelson
5,489,307 A	2/1996	Kuslich
5,489,308 A	2/1996	Kuslich
5,514,180 A	5/1996	Heggeness
5,522,899 A	6/1996	Michelson
5,534,030 A	7/1996	Navarro
5,534,031 A	7/1996	Matsuzaki
5,540,688 A	7/1996	Navas
5,549,612 A	8/1996	Yapp
5,562,736 A	10/1996	Ray
5,571,190 A	11/1996	Ulrich
5,571,192 A	11/1996	Schonhoffer
5,593,409 A	1/1997	Michelson
5,609,636 A	3/1997	Kohrs
5,611,800 A	3/1997	Davis
5,616,144 A	4/1997	Yapp
5,632,747 A	5/1997	Scarborough
5,645,598 A	7/1997	Brosnahan
5,653,761 A	8/1997	Pisharodi
5,653,762 A	8/1997	Pisharodi
5,665,122 A	9/1997	Kambin
5,669,909 A	9/1997	Zdeblick
5,674,294 A	10/1997	Bainville et al.
5,674,296 A	10/1997	Bryan et al.

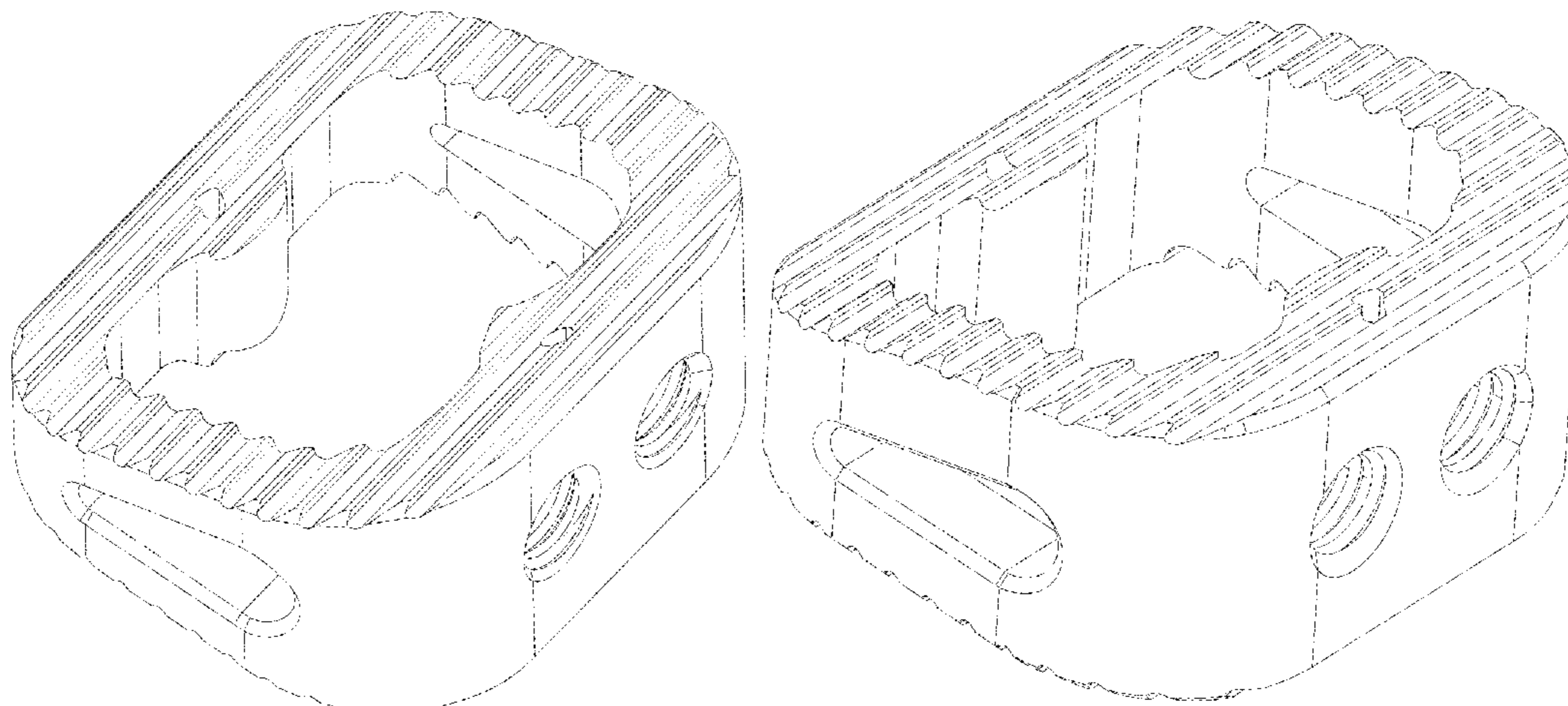
**Related U.S. Application Data**

- (63) Continuation of application No. 29/509,736, filed on Nov. 20, 2014, now abandoned.
- (51) **LOC (12) Cl.** ..... **24-03**
- (52) **U.S. Cl.**  
USPC ..... **D24/155**
- (58) **Field of Classification Search**  
USPC ..... D24/155  
CPC ..... A61F 2/4611; A61F 2/442; A61F 2/447;  
A61F 2220/0025; A61F 2310/00023;  
A61F 2310/00017; A61F 2002/4475;  
A61F 2002/30841; A61F 2002/2835;  
A61F 2002/30904; A61F 2002/30785;  
A61F 2002/443; A61F 2002/30578  
See application file for complete search history.

(56) **References Cited**

**U.S. PATENT DOCUMENTS**

3,848,601 A	11/1974	Ma
3,867,728 A	2/1975	Stubstad
4,349,921 A	9/1982	Kuntz
4,463,753 A	8/1984	Gustilo
4,501,269 A	2/1985	Bagby
4,599,086 A	7/1986	Doty
4,657,550 A	4/1987	Daher
4,743,256 A	5/1988	Brantigan
4,781,591 A	11/1988	Allen
4,790,303 A	12/1988	Steffee
4,834,757 A	5/1989	Brantigan



# US D858,769 S

Page 2

5,676,703 A	10/1997	Gelbard	6,383,221 B1	5/2002	Scarborough
5,683,394 A	11/1997	Rinner	6,395,030 B1	5/2002	Songer
5,683,464 A	11/1997	Wagner	6,409,766 B1	6/2002	Brett
5,700,264 A	12/1997	Zucherman	6,423,063 B1	7/2002	Bonutti
5,700,291 A	12/1997	Kuslich	6,425,920 B1	7/2002	Hamada
5,700,292 A	12/1997	Margulies	6,432,140 B1	8/2002	Lin
5,702,449 A	12/1997	McKay	6,440,142 B1	8/2002	Ralph
5,702,451 A	12/1997	Biedermann	6,442,814 B1	9/2002	Landry
5,702,453 A	12/1997	Rabbe	6,454,806 B1	9/2002	Cohen
5,702,454 A	12/1997	Baumgartner	6,468,311 B2	10/2002	Boyd
5,702,455 A	12/1997	Saggar	6,471,724 B2	10/2002	Zdeblick
5,713,899 A	2/1998	Marnay	6,485,517 B1	11/2002	Michelson
5,716,415 A	2/1998	Steffee	6,485,518 B1	11/2002	Cornwall
5,728,159 A	3/1998	Stroever	6,503,279 B1	1/2003	Webb
5,741,253 A	4/1998	Michelson	6,517,544 B1	2/2003	Michelson
5,741,261 A	4/1998	Moskovitz	6,517,580 B1	2/2003	Ramadan et al.
5,766,252 A	6/1998	Henry	6,527,773 B1	3/2003	Lin
5,772,661 A	6/1998	Michelson	6,533,818 B1	3/2003	Weber et al.
5,782,830 A	7/1998	Farris	6,540,785 B1	4/2003	Gill
5,782,832 A	7/1998	Larsen	6,558,423 B1	5/2003	Michelson
5,785,710 A	7/1998	Michelson	6,558,424 B2	5/2003	Thalgott
5,797,909 A	8/1998	Michelson	6,562,073 B2	5/2003	Foley
5,800,550 A	9/1998	Sertich	6,576,017 B2	6/2003	Foley
5,814,084 A	9/1998	Grivas	6,579,290 B1	6/2003	Hardcastle
5,843,082 A	12/1998	Yuan	6,595,998 B2	7/2003	Johnson
5,860,973 A	1/1999	Michelson	6,626,905 B1	9/2003	Schmiel
5,861,041 A	1/1999	Tienboon	6,626,907 B2	9/2003	Campbell
5,865,845 A	2/1999	Thalgott	6,635,086 B2	10/2003	Lin
5,865,848 A	2/1999	Baker	6,648,895 B2	11/2003	Burkus
5,876,456 A	3/1999	Sederholm	6,652,525 B1	11/2003	Assaker
5,876,457 A	3/1999	Picha	6,669,700 B1	12/2003	Farris
5,885,299 A	3/1999	Winslow	6,676,703 B2	1/2004	Biscup
5,888,224 A	3/1999	Beckers	6,682,561 B2	1/2004	Songer
5,893,889 A	4/1999	Harrington	6,692,501 B2	2/2004	Michelson
5,904,719 A	5/1999	Errico	6,706,067 B2	3/2004	Shimp
5,910,315 A	6/1999	Stevenson	6,730,127 B2	5/2004	Michelson
5,951,558 A	9/1999	Fiz	6,743,255 B2	6/2004	Ferree
5,968,098 A	10/1999	Winslow	6,746,454 B2	6/2004	Winterbottom
6,004,326 A	12/1999	Castro	6,746,484 B1	6/2004	Liu
6,008,433 A	12/1999	Stone	6,755,841 B2	6/2004	Fraser
6,015,436 A	1/2000	Schonhoffer	D493,533 S	7/2004	Blain
6,039,761 A	3/2000	Li	6,824,564 B2	11/2004	Crozet
6,042,582 A	3/2000	Ray	6,855,167 B2	2/2005	Shimp
6,045,580 A	4/2000	Scarborough	6,902,568 B2	6/2005	Serhan
6,048,342 A	4/2000	Zucherman	6,911,045 B2	6/2005	Shimp
6,059,829 A	5/2000	Schläpfer	6,916,320 B2	7/2005	Michelson
6,063,088 A	5/2000	Winslow	6,926,718 B1	8/2005	Michelson
6,083,225 A	7/2000	Winslow	6,964,687 B1	11/2005	Bernard
6,083,228 A	7/2000	Michelson	6,969,390 B2	11/2005	Michelson
6,099,531 A	8/2000	Bonutti	6,972,019 B2	12/2005	Michelson
6,120,503 A	9/2000	Michelson	6,979,353 B2	12/2005	Bresina
6,120,506 A	9/2000	Kohrs	6,984,245 B2	1/2006	McGahan
6,123,705 A	9/2000	Michelson	6,986,788 B2	1/2006	Paul
6,136,001 A	10/2000	Michelson	6,989,031 B2	1/2006	Michelson
6,139,550 A	10/2000	Michelson	7,001,385 B2	2/2006	Bonutti
6,143,033 A	11/2000	Paul	7,001,387 B2	2/2006	Farris
6,152,927 A	11/2000	Farris	7,018,416 B2	3/2006	Hanson
6,159,211 A	12/2000	Boriani	7,033,394 B2	4/2006	Michelson
6,159,214 A	12/2000	Michelson	7,041,135 B2	5/2006	Michelson
6,159,215 A	12/2000	Camino	7,063,701 B2	6/2006	Michelson
6,193,721 B1	2/2001	Michelson	7,077,844 B2	7/2006	Michelson
6,193,756 B1	2/2001	Studer	7,094,239 B1	8/2006	Michelson
6,200,347 B1	3/2001	Anderson	7,112,222 B2	9/2006	Fraser
6,214,005 B1	4/2001	Benzel	D530,423 S	10/2006	Miles
6,224,607 B1	5/2001	Michelson	7,125,425 B2	10/2006	Foley
6,224,631 B1	5/2001	Kohrs	7,137,984 B2	11/2006	Michelson
6,235,059 B1	5/2001	Benezech	7,163,561 B2	1/2007	Michelson
6,241,769 B1	6/2001	Nicholson	7,172,627 B2	2/2007	Fiere
6,241,771 B1	6/2001	Gresser	7,192,447 B2	3/2007	Rhoda
6,251,140 B1	6/2001	Marino	7,226,480 B2	6/2007	Thalgott
6,258,089 B1	7/2001	Campbell	7,226,482 B2	6/2007	Messerli
6,258,125 B1	7/2001	Paul	7,232,464 B2	6/2007	Mathieu
6,277,149 B1	8/2001	Boyle	7,235,105 B2	6/2007	Jackson
6,306,139 B1	10/2001	Fuentes	7,238,203 B2	7/2007	Bagga
6,306,170 B2	10/2001	Ray	7,244,258 B2	7/2007	Burkus
6,319,257 B1	11/2001	Carignan	7,255,698 B2	8/2007	Michelson
6,364,880 B1	4/2002	Michelson	7,267,690 B2	9/2007	Felt
6,371,986 B1	4/2002	Bagby	D553,742 S	10/2007	Park
6,371,989 B1	4/2002	Chauvin	7,303,583 B1	12/2007	Schär

# US D858,769 S

7,323,011 B2	1/2008	Shepard	2007/0233253 A1	10/2007	Bray
7,326,251 B2	2/2008	McCombe	2007/0270965 A1	11/2007	Ferguson
D580,551 S	11/2008	Cohen	2008/0033555 A1	2/2008	Link et al.
D580,552 S	11/2008	Cohen	2008/0082173 A1	4/2008	Delurio
7,491,237 B2	2/2009	Randall	2008/0177307 A1	7/2008	Moskowitz
D594,986 S	6/2009	Miles	2008/0249569 A1	10/2008	Waugh
D595,853 S	7/2009	Hanson	2008/0281425 A1	11/2008	Thalgott
D599,019 S	8/2009	Pimenta	2008/0306596 A1*	12/2008	Jones ..... A61F 2/4455
7,621,956 B2	11/2009	Paul			623/17.16
7,621,960 B2	11/2009	Boyd	2008/0312742 A1	12/2008	Abernathie
7,637,950 B2*	12/2009	Baccelli ..... A61F 2/4455	2009/0062917 A1	3/2009	Foley et al.
		623/17.11	2009/0088849 A1	4/2009	Armstrong
7,637,951 B2	12/2009	Michelson	2009/0099659 A1	4/2009	Oh
7,637,954 B2	12/2009	Michelson	2009/0105831 A1	4/2009	Jones
7,651,497 B2	1/2010	Michelson	2009/0157186 A1	6/2009	Magerl
7,662,185 B2	2/2010	Alfaro	2009/0182430 A1	7/2009	Tyber
D611,147 S	3/2010	Hanson	2009/0210062 A1	8/2009	Thalgott
D615,653 S	5/2010	Horton	2009/0210063 A1	8/2009	Barrett
D619,255 S*	7/2010	Richter ..... D24/155	2009/0224023 A1	9/2009	Moskowitz
D620,111 S	7/2010	Courtney	2009/0234455 A1	9/2009	Moskowitz
D621,509 S	8/2010	Lovell	2009/0259256 A1	10/2009	Miller
7,776,093 B2	8/2010	Wolek	2009/0270991 A1	10/2009	Michelson
D623,747 S	9/2010	Horton	2010/0049324 A1	2/2010	Valdevit
D623,748 S	9/2010	Horton	2010/0057206 A1	3/2010	Duffield
D623,749 S	9/2010	Horton	2010/0087925 A1*	4/2010	Kostuik ..... A61F 2/447
D623,750 S	9/2010	Duffield			623/17.16
D627,466 S	11/2010	Courtney	2010/0125334 A1	5/2010	Krueger
D627,468 S	11/2010	Richter	2010/0145460 A1	6/2010	McDonough
7,846,207 B2	12/2010	Lechmann	2010/0185288 A1	7/2010	Carls
7,867,277 B1	1/2011	Tohmeh	2010/0204739 A1	8/2010	Bae
D631,967 S	2/2011	Horton	2010/0249935 A1	9/2010	Slivka
7,914,554 B2	3/2011	Michelson			
D637,721 S	5/2011	Horton			
7,951,203 B2	5/2011	McCombe			
8,021,430 B2	9/2011	Michelson			
8,048,075 B2	11/2011	Michelson			
D653,756 S	2/2012	Courtney			
8,187,334 B2	5/2012	Curran			
8,246,686 B1	8/2012	Curran			
8,251,997 B2	8/2012	Michelson			
D671,645 S	11/2012	Curran			
D674,092 S	1/2013	Lovell			
D675,320 S	1/2013	Oi			
8,361,156 B2	1/2013	Curran			
D681,204 S	4/2013	Farris			
D682,427 S*	5/2013	Farris ..... A61F 2/447			
		D24/155			
8,506,636 B2	8/2013	Dye			
D692,136 S*	10/2013	Tyber ..... D24/155			
8,574,301 B2	11/2013	Curran			
8,579,909 B2	11/2013	Burkus			
8,591,589 B2	11/2013	McCombe			
D696,402 S	12/2013	Oi			
8,608,804 B2	12/2013	Curran			
8,740,983 B1*	6/2014	Arnold ..... A61F 2/4455			
		623/17.16			
D708,747 S*	7/2014	Curran ..... D24/155			
D711,537 S*	8/2014	Pimenta ..... D24/155			
8,840,668 B1	9/2014	Donahoe			
D721,808 S	1/2015	Oi			
D735,859 S*	8/2015	Palinchik ..... D24/155			
D735,860 S*	8/2015	Palinchik ..... D24/155			
D736,384 S*	8/2015	Palinchik ..... D24/155			
D745,159 S*	12/2015	Lin ..... D24/155			
2002/0035400 A1	3/2002	Bryan et al.			
2003/0028249 A1	2/2003	Baccelli et al.			
2003/0153975 A1	8/2003	Byrd et al.			
2004/0054411 A1	3/2004	Kelly et al.			
2004/0068320 A1	4/2004	Robie et al.			
2004/0122518 A1	6/2004	Rhoda			
2004/0143331 A1	7/2004	Errico et al.			
2005/0177245 A1	8/2005	Leatherbury			
2005/0187552 A1	8/2005	Michelson			
2006/0079961 A1	4/2006	Michelson			
2006/0085071 A1	4/2006	Lechmann			
2006/0122703 A1	6/2006	Aebi			
2006/0200166 A1	9/2006	Hanson			
2006/0206208 A1	9/2006	Michelson			
2006/0282165 A1	12/2006	Pisharodi			
					* cited by examiner

## FOREIGN PATENT DOCUMENTS

CA	2444232 A1	8/1998
CA	2523814 A1	8/1998
CA	2533713 A1	8/1998
DE	29511146 U1	1/1996
DE	19630256 A1	1/1998
EP	0179695 A1	4/1986
EP	0560140 A1	9/1993
EP	0699426 A1	3/1996
EP	0716840 B1	6/1996
EP	1166725 A2	6/1997
EP	0880938 A1	2/1998
FR	2718635 A1	10/1995
FR	2727003 A1	5/1996
FR	2727619 A1	6/1996
FR	2923155 A1	5/2009
JP	4114644 A	4/1992
SU	1519677 A1	11/1989
SU	1715338 A1	2/1992
WO	WO-1994004100 A1	3/1994
WO	WO-1995001810 A1	1/1995
WO	WO-1995/15133 A1	6/1995
WO	WO-1995025474 A1	9/1995
WO	WO-1996008205 A1	3/1996
WO	WO-1997020526 A1	6/1997
WO	WO-1997023175 A1	7/1997
WO	WO-1997033525 A1	9/1997
WO	WO-1998017208 A1	4/1998
WO	WO-1999063913 A2	12/1999
WO	WO-1999063914 A1	12/1999
WO	WO-2002/11650 A2	8/2001
WO	WO-2002065957 A2	8/2002
WO	WO-2003/063727 A2	11/2002
WO	WO-2007098288 A2	8/2007
WO	WO-2009064644 A1	5/2009
WO	WO-2009071153 A1	6/2009
WO	WO-2009091775 A2	7/2009
WO	WO-2009092961 A2	7/2009
WO	WO-2009099559 A2	8/2009
WO	WO-2009144671 A1	12/2009
WO	WO-2010028045 A1	3/2010
WO	WO-2010028095 A1	3/2010
WO	WO-2010079993 A2	7/2010

*Primary Examiner* — Charles D Hanson

(57) **CLAIM**

The ornamental design for an intervertebral implant, substantially as shown and described.

**DESCRIPTION**

FIG. 1 is a perspective view of an intervertebral implant showing our new design;  
 FIG. 2 is a top view of the intervertebral implant of FIG. 1;  
 FIG. 3 is a side view of the intervertebral implant of FIG. 1;  
 FIG. 4 is a front view of the intervertebral implant of FIG. 1;  
 FIG. 5 is a back view of the intervertebral implant of FIG. 1;  
 FIG. 6 is a perspective view of a first alternative embodiment of an intervertebral implant;  
 FIG. 7 is a top view of the intervertebral implant of FIG. 6;  
 FIG. 8 is a side view of the intervertebral implant of FIG. 6;  
 FIG. 9 is a front view of the intervertebral implant of FIG. 6;  
 FIG. 10 is a back view of the intervertebral implant of FIG. 6;  
 FIG. 11 is a perspective view of a second alternative embodiment of an intervertebral implant;  
 FIG. 12 is a top view of the intervertebral implant of FIG. 11;  
 FIG. 13 is a side view of the intervertebral implant of FIG. 11;  
 FIG. 14 is a front view of the intervertebral implant of FIG. 11;  
 FIG. 15 is a back view of the intervertebral implant of FIG. 11;  
 FIG. 16 is a perspective view of a third alternative embodiment of an intervertebral implant;  
 FIG. 17 is a top side view of the intervertebral implant of FIG. 16;  
 FIG. 18 is a side view of the intervertebral implant of FIG. 16;  
 FIG. 19 is a front view of the intervertebral implant of FIG. 16;  
 FIG. 20 is a back view of the intervertebral implant of FIG. 16;  
 FIG. 21 is a perspective view of a fourth alternative embodiment of an intervertebral implant;  
 FIG. 22 is a top side view of the intervertebral implant of FIG. 21;  
 FIG. 23 is a side view of the intervertebral implant of FIG. 21;

FIG. 24 is a front view of the intervertebral implant of FIG. 21;  
 FIG. 25 is a back view of the intervertebral implant of FIG. 21;  
 FIG. 26 is a perspective view of a fifth alternative embodiment of an intervertebral implant;  
 FIG. 27 is a top side view of the intervertebral implant of FIG. 26;  
 FIG. 28 is a side view of the intervertebral implant of FIG. 26;  
 FIG. 29 is a front view of the intervertebral implant of FIG. 26;  
 FIG. 30 is a back view of the intervertebral implant of FIG. 26;  
 FIG. 31 is a perspective view of a sixth alternative embodiment of an intervertebral implant;  
 FIG. 32 is a top side view of the intervertebral implant of FIG. 31;  
 FIG. 33 is a side view of the intervertebral implant of FIG. 31;  
 FIG. 34 is a front view of the intervertebral implant of FIG. 31;  
 FIG. 35 is a back view of the intervertebral implant of FIG. 31;  
 FIG. 36 is a perspective view of a seventh alternative embodiment of an intervertebral implant;  
 FIG. 37 is a top side view of the intervertebral implant of FIG. 36;  
 FIG. 38 is a side view of the intervertebral implant of FIG. 36;  
 FIG. 39 is a front view of the intervertebral implant of FIG. 36;  
 FIG. 40 is a back view of the intervertebral implant of FIG. 36;  
 FIG. 41 is a perspective view of an eighth alternative embodiment of an intervertebral implant;  
 FIG. 42 is a top side view of the intervertebral implant of FIG. 41;  
 FIG. 43 is a side view of the intervertebral implant of FIG. 41;  
 FIG. 44 is a front view of the intervertebral implant of FIG. 41; and,  
 FIG. 45 is a back view of the intervertebral implant of FIG. 41.  
 The broken line showing is included for the purpose of illustrating environment and forms no part of the claimed design.

**1 Claim, 18 Drawing Sheets**

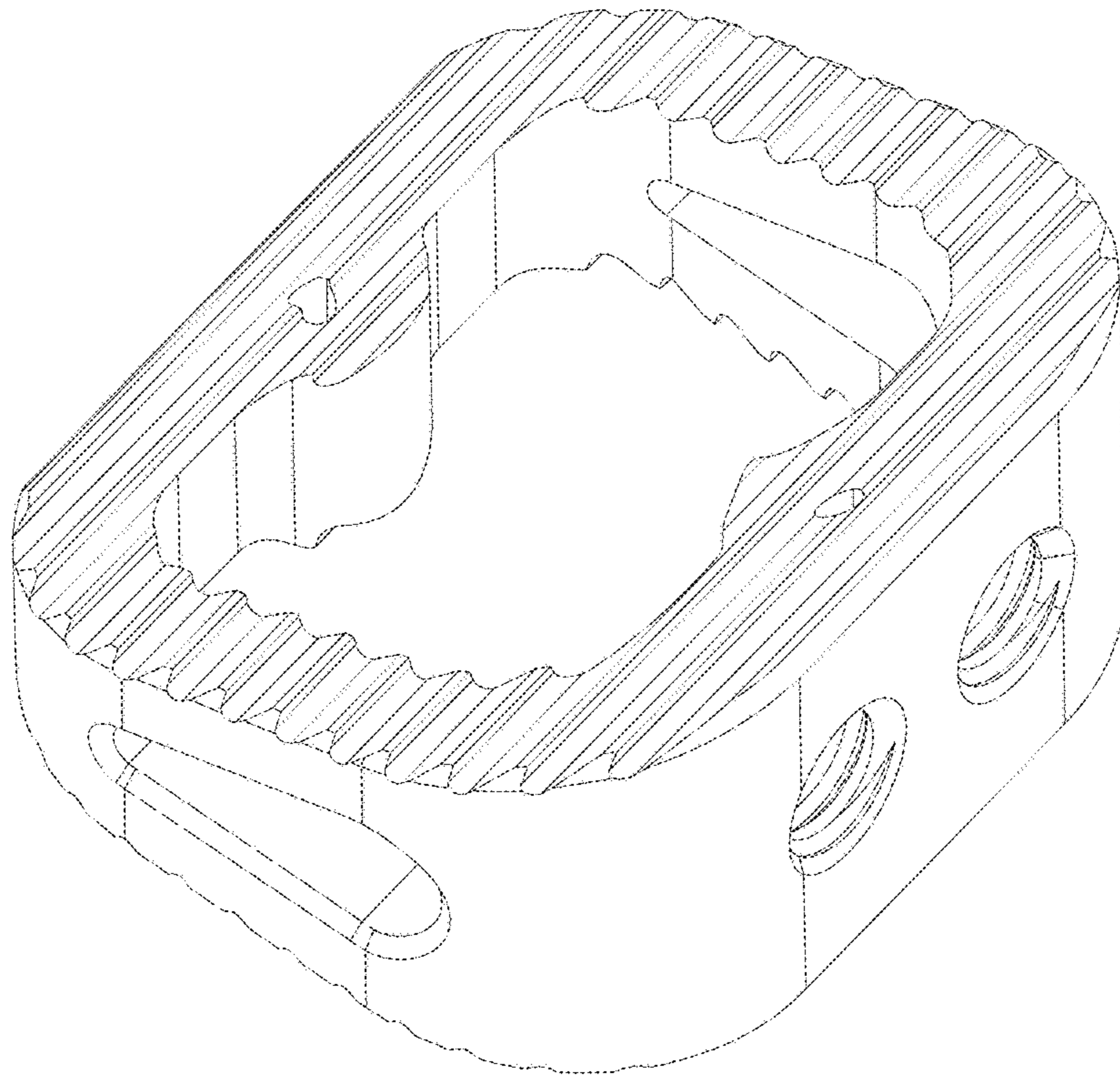


FIG. 1

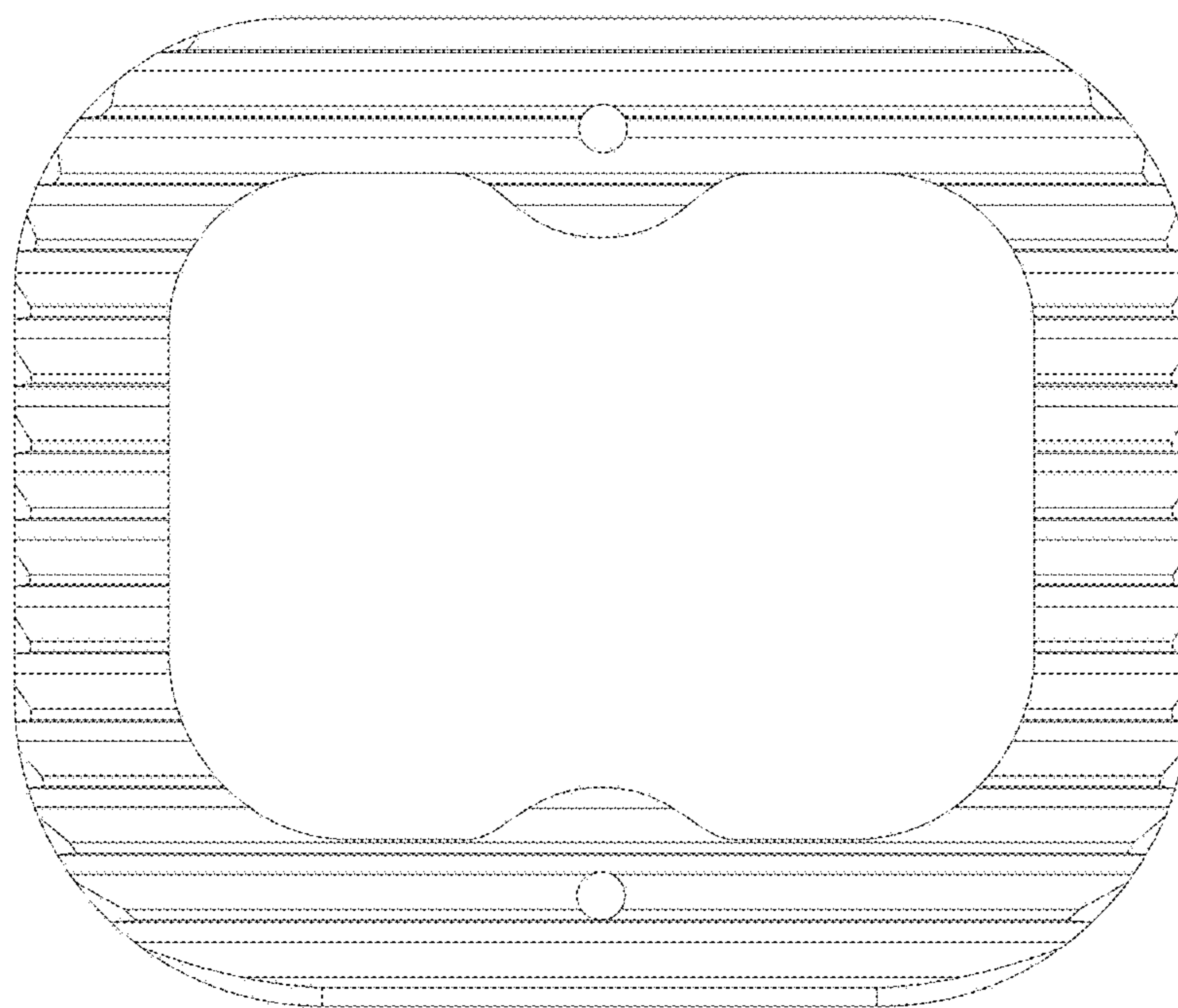


FIG. 2

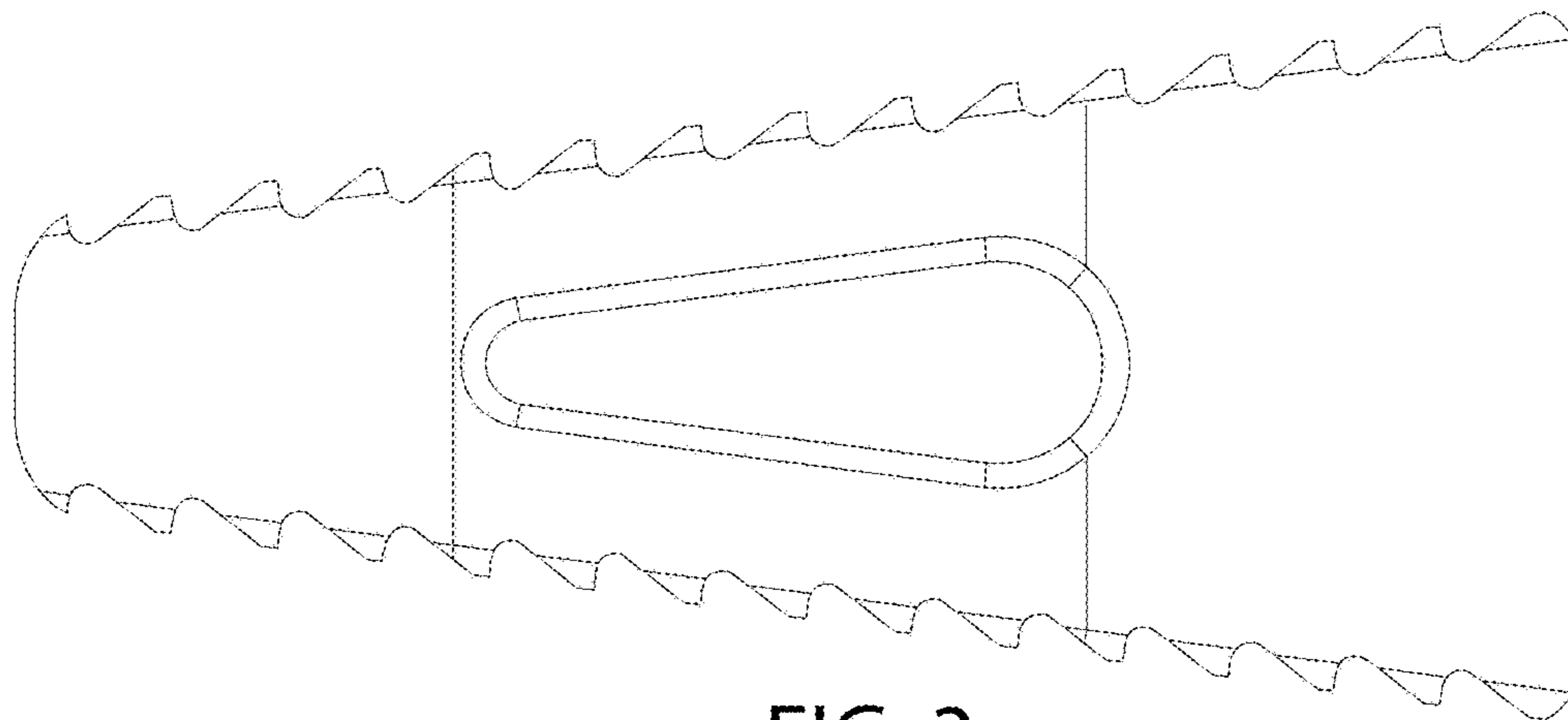


FIG. 3

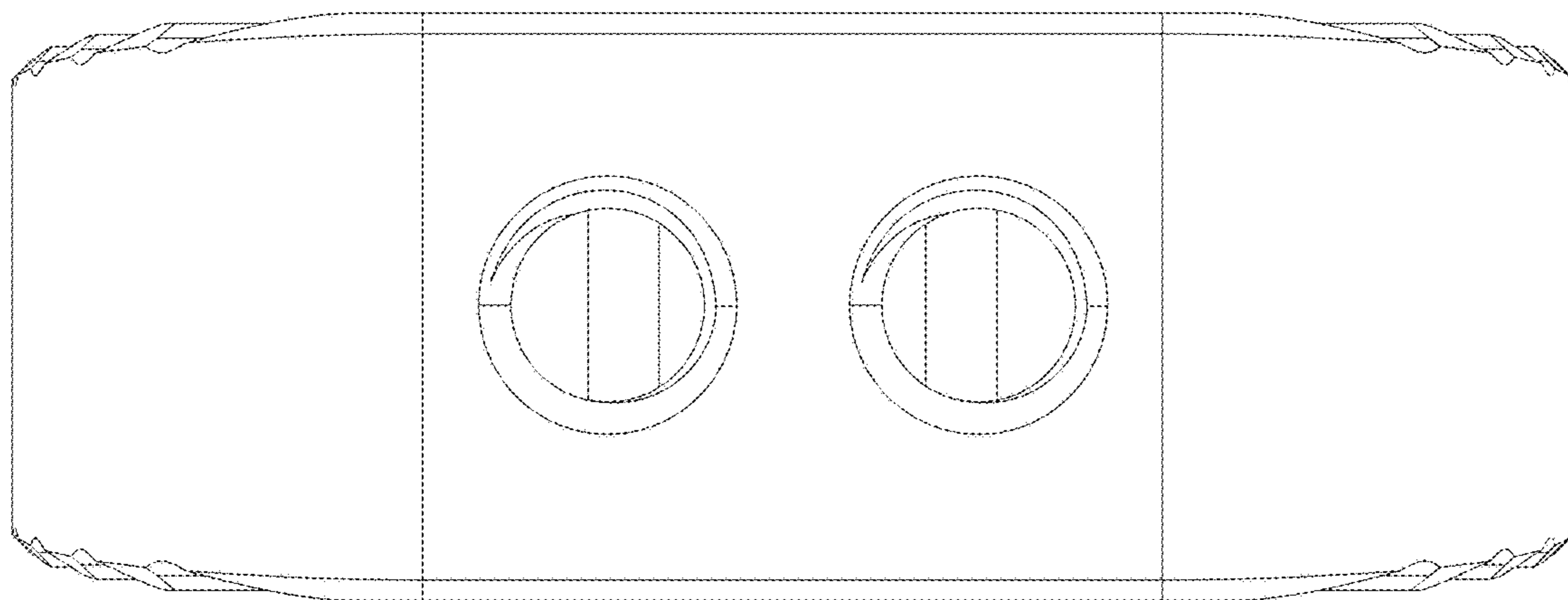


FIG. 4

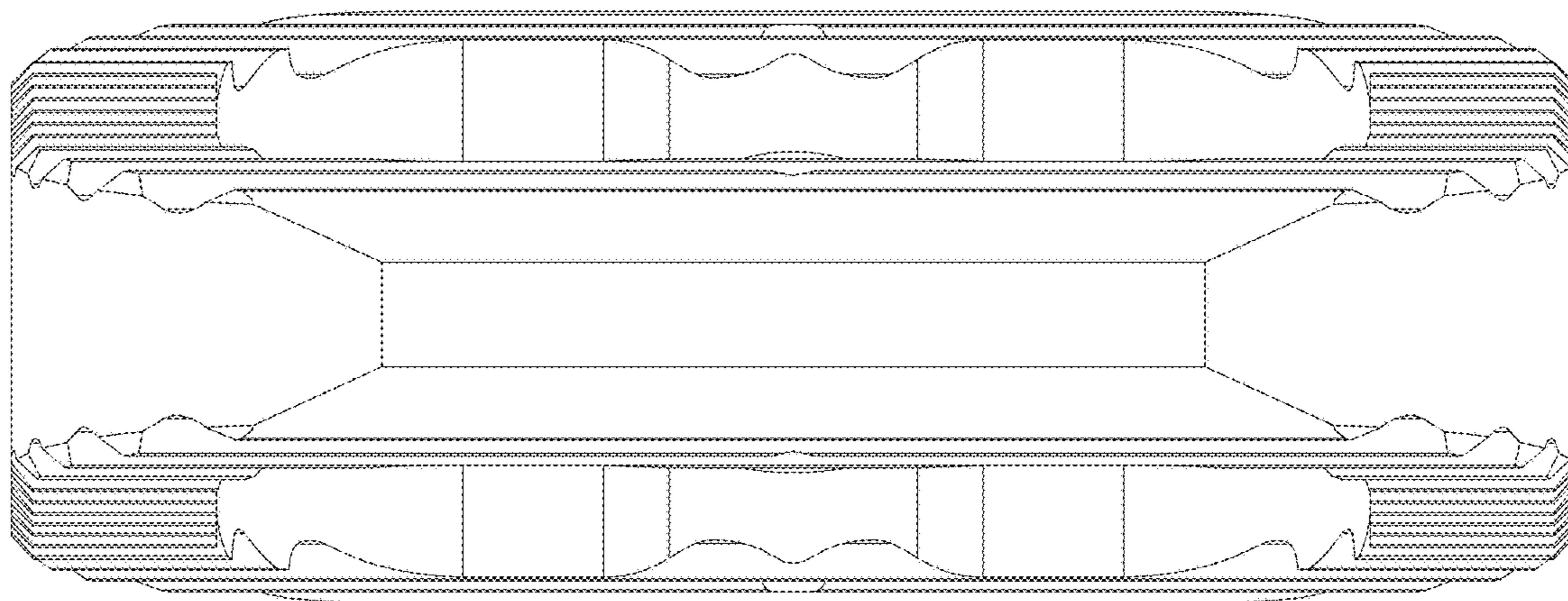


FIG. 5

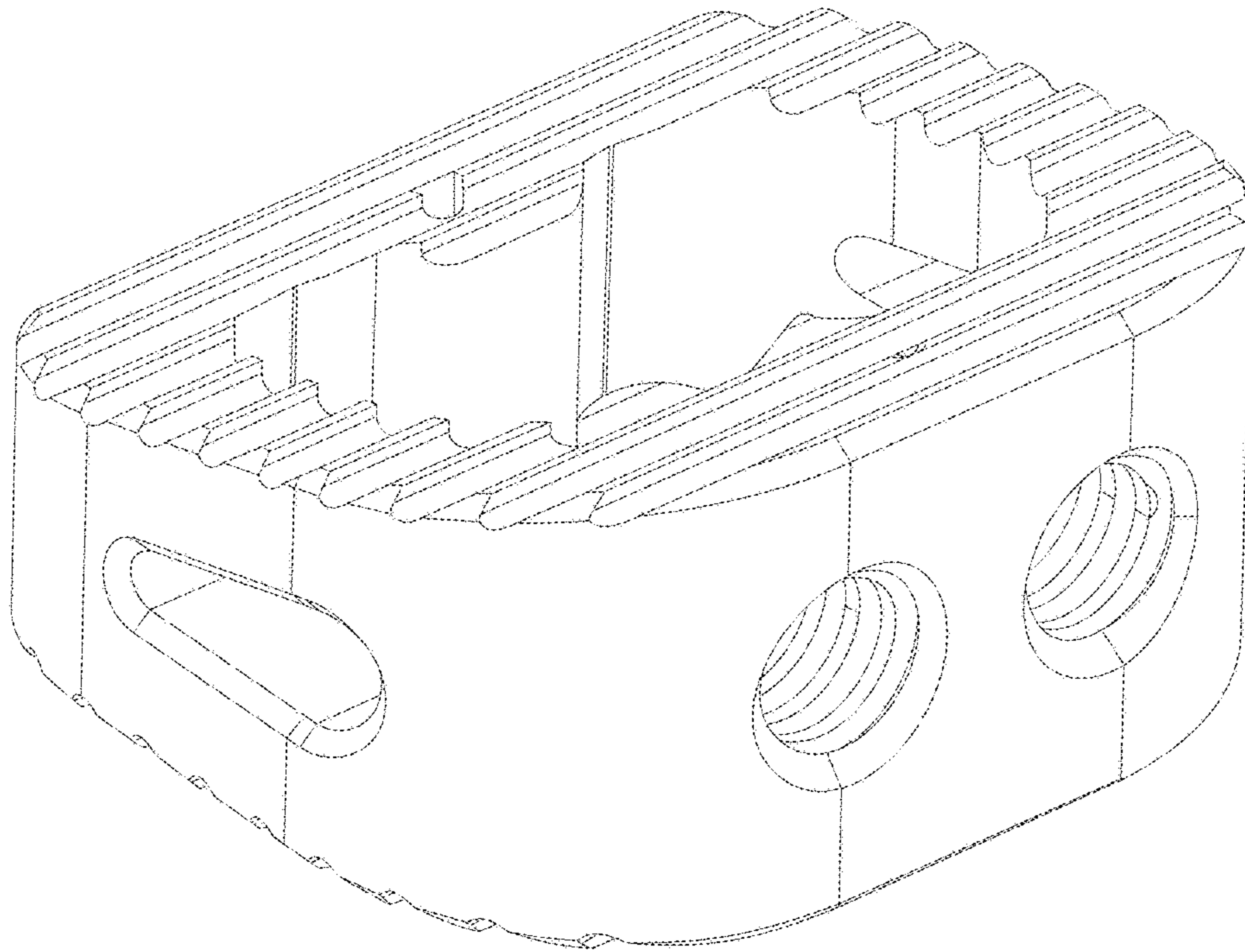


FIG. 6

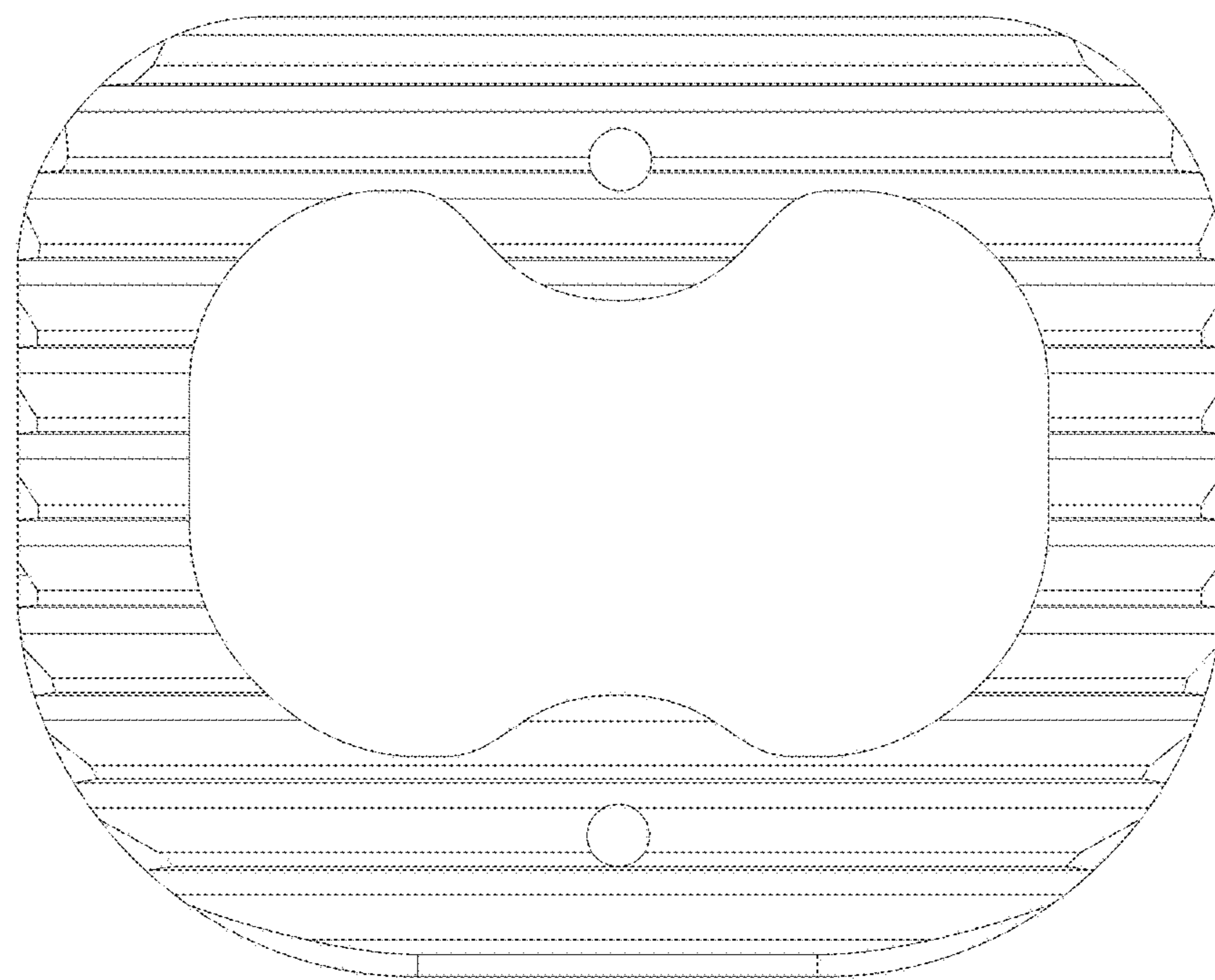


FIG. 7

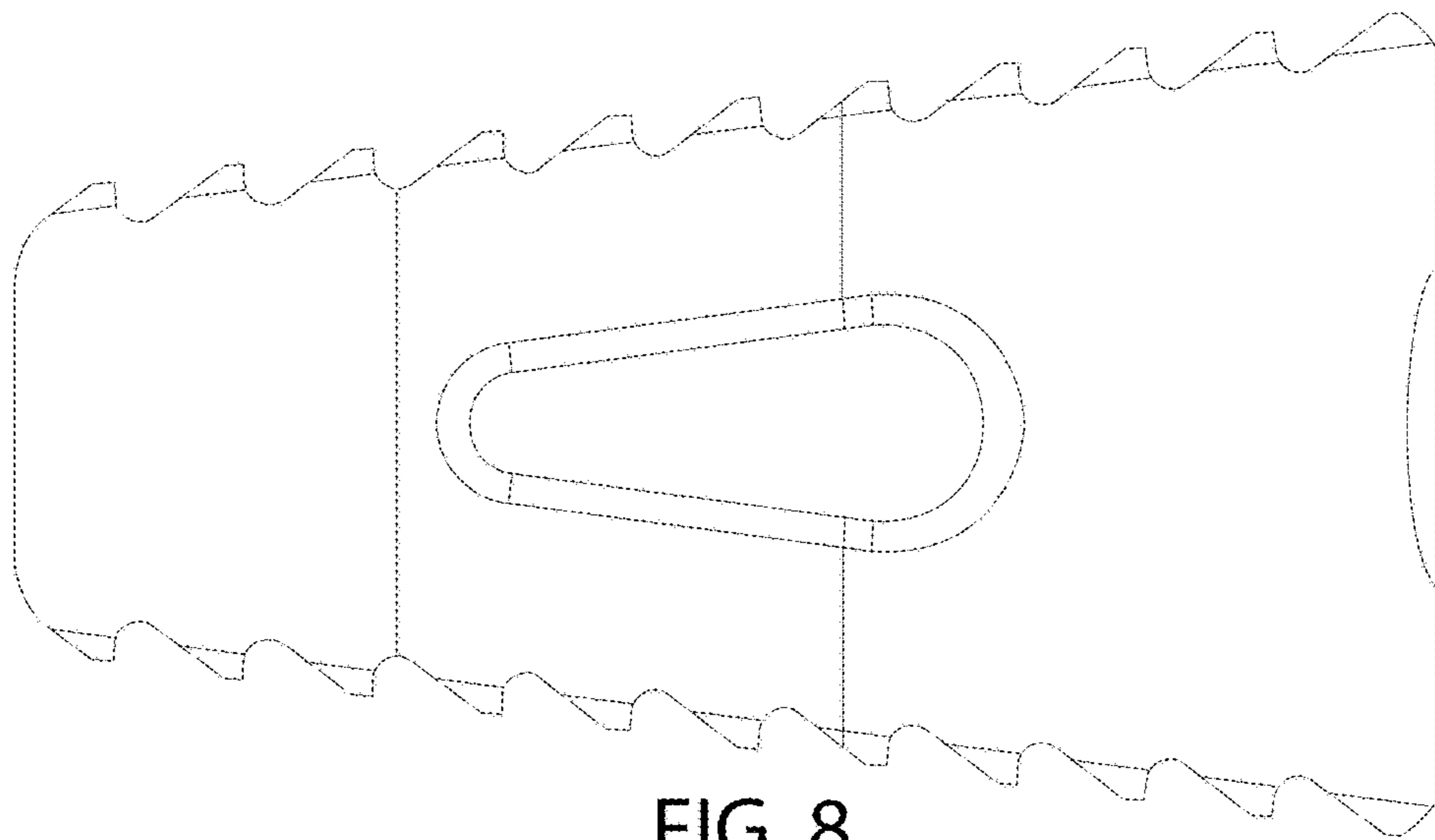


FIG. 8

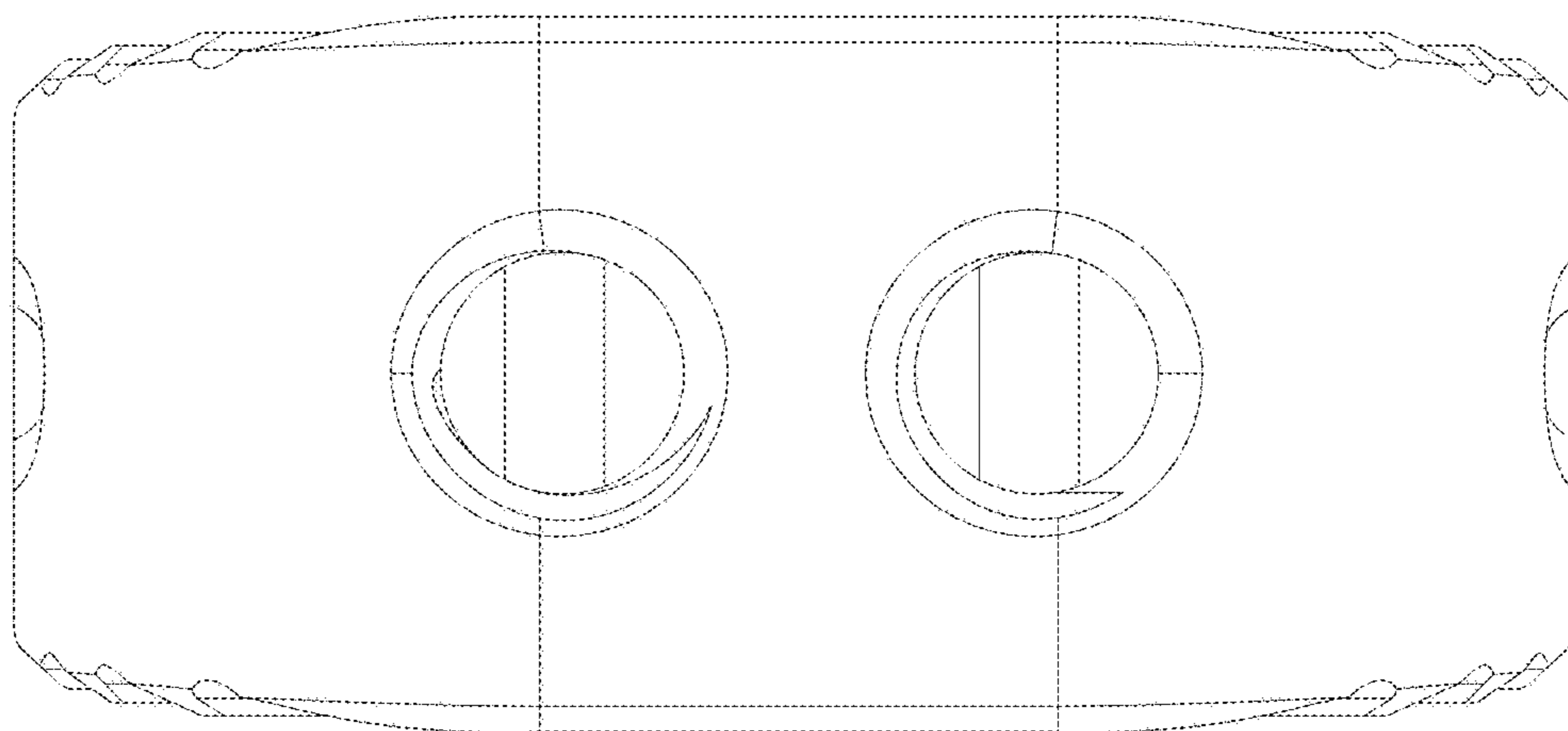


FIG. 9

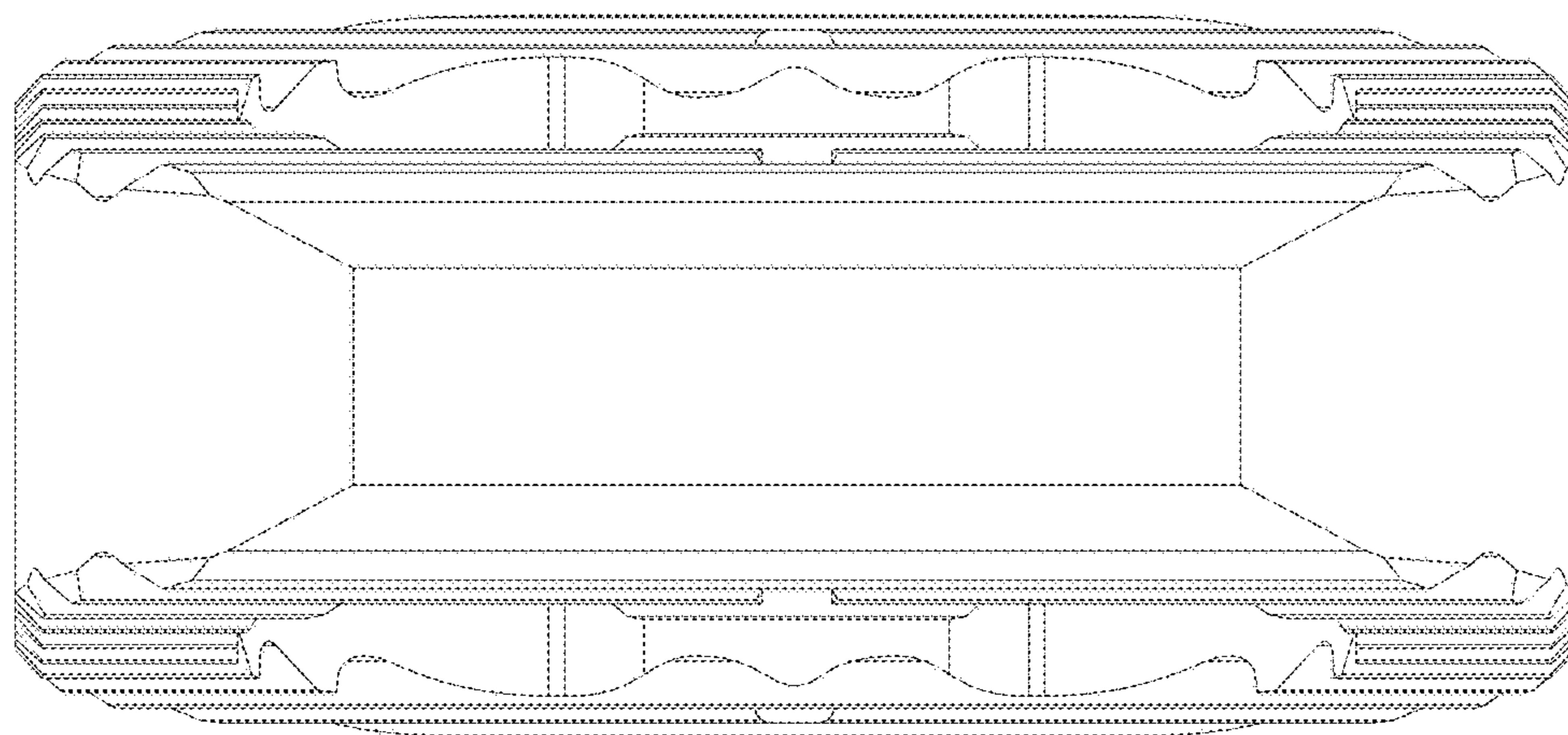


FIG. 10



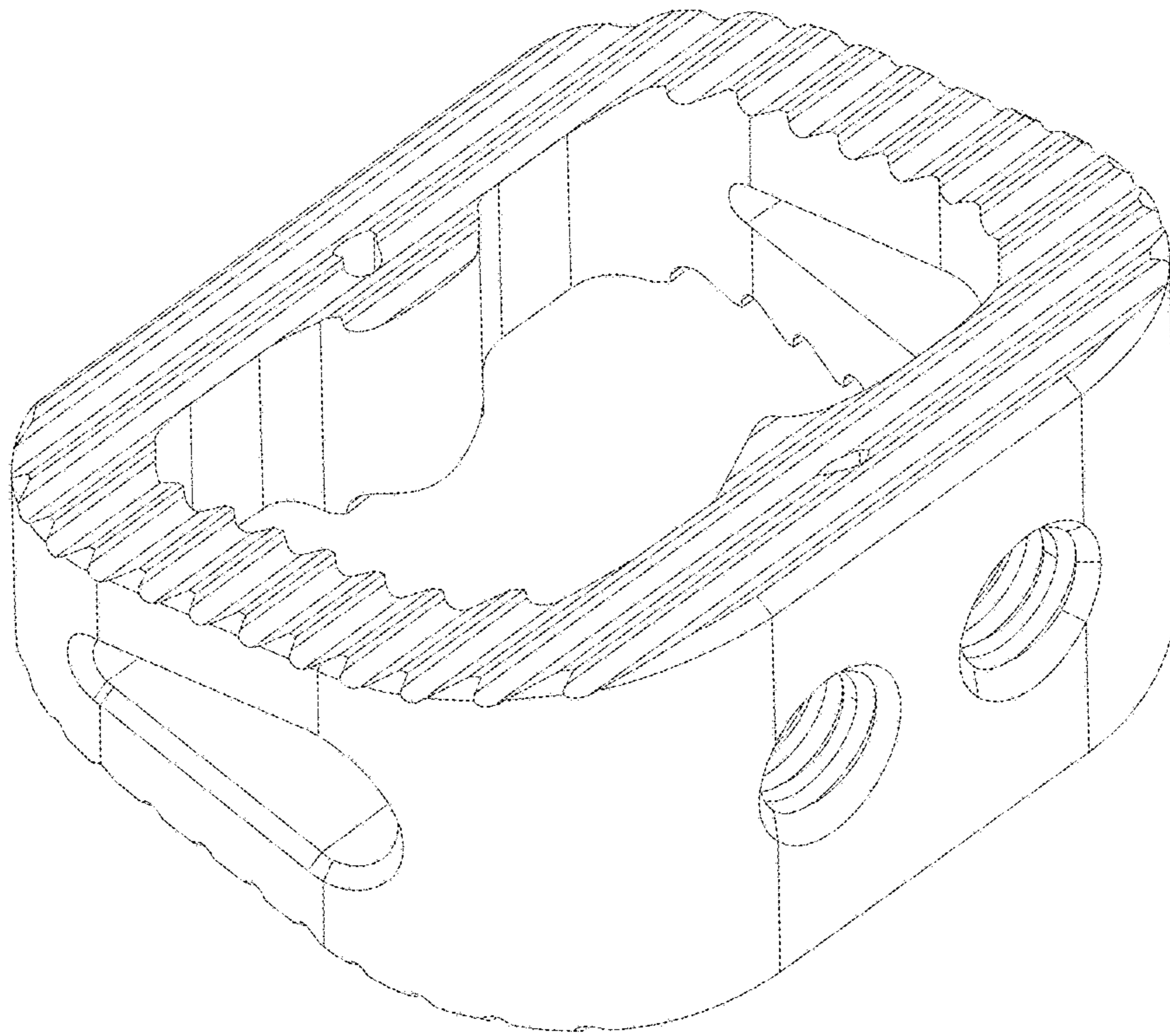


FIG. 11

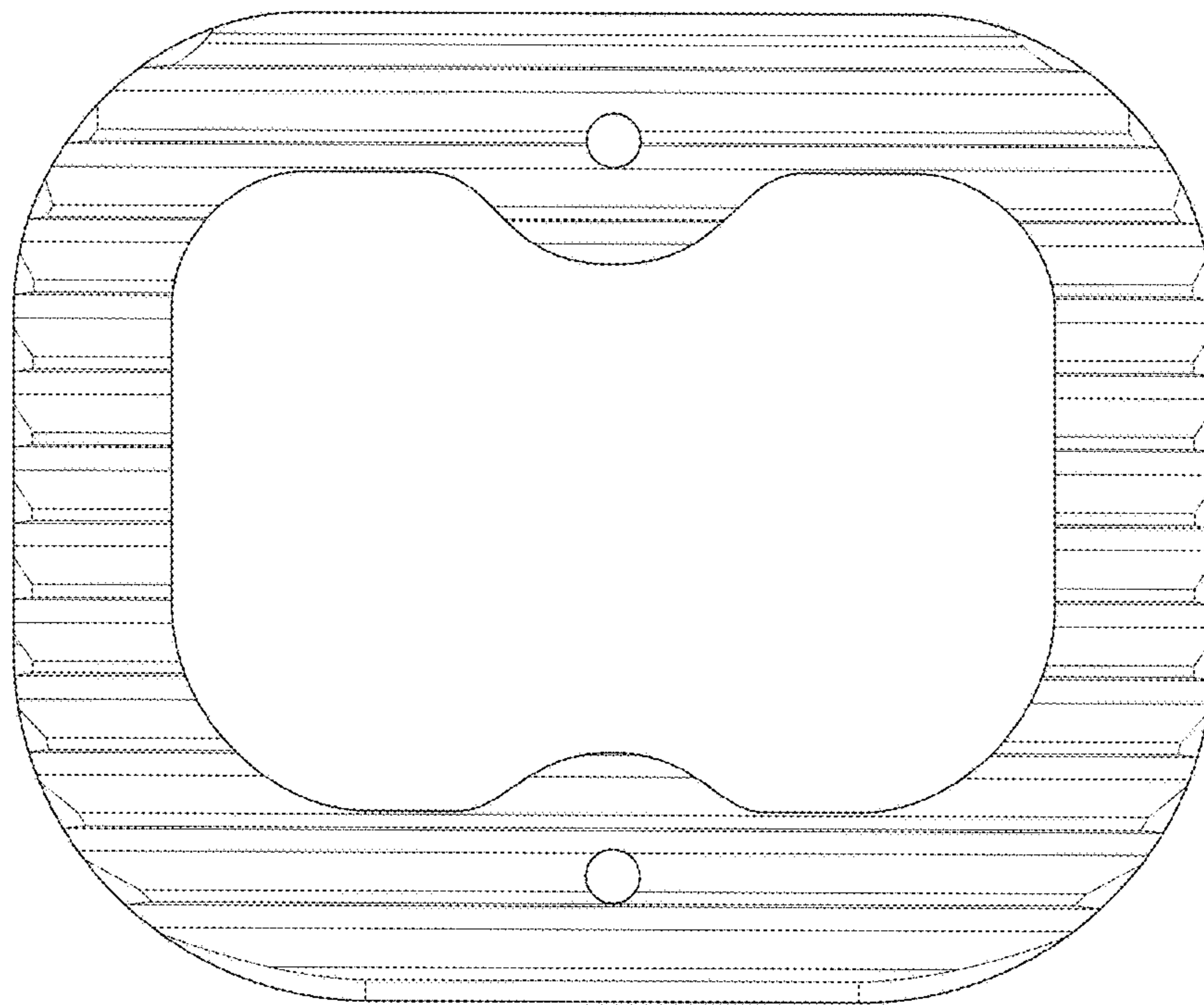


FIG. 12

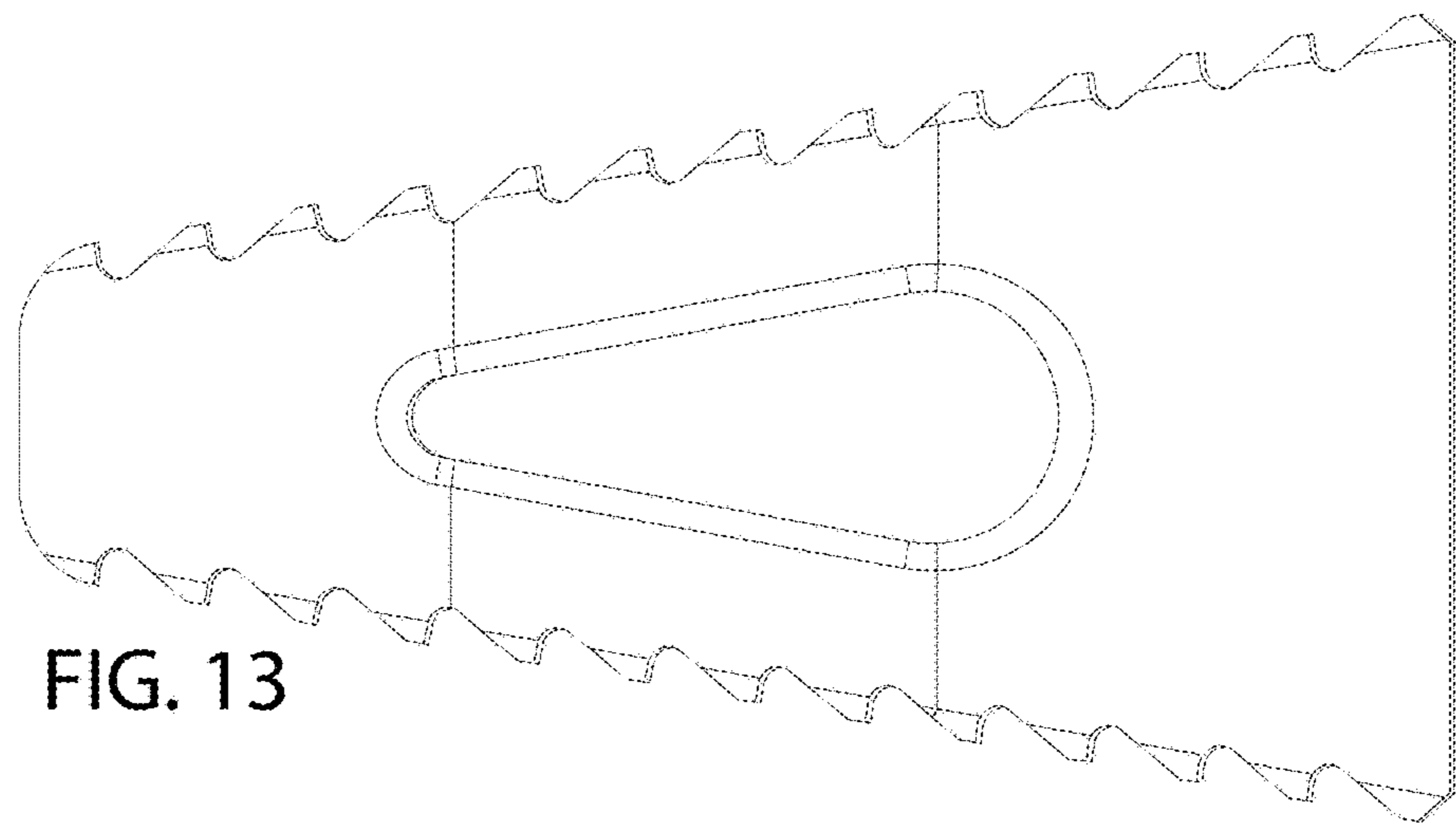


FIG. 13

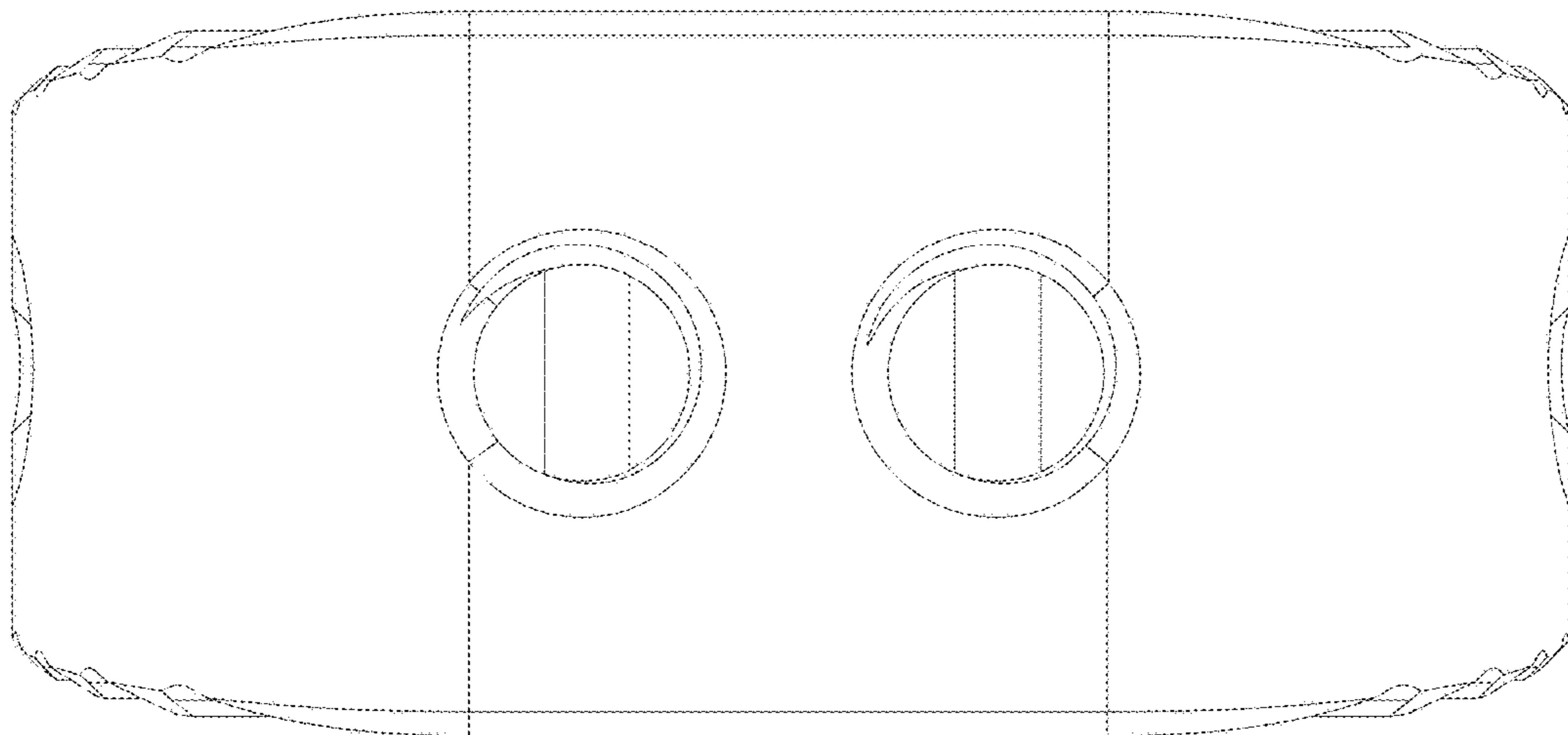


FIG. 14

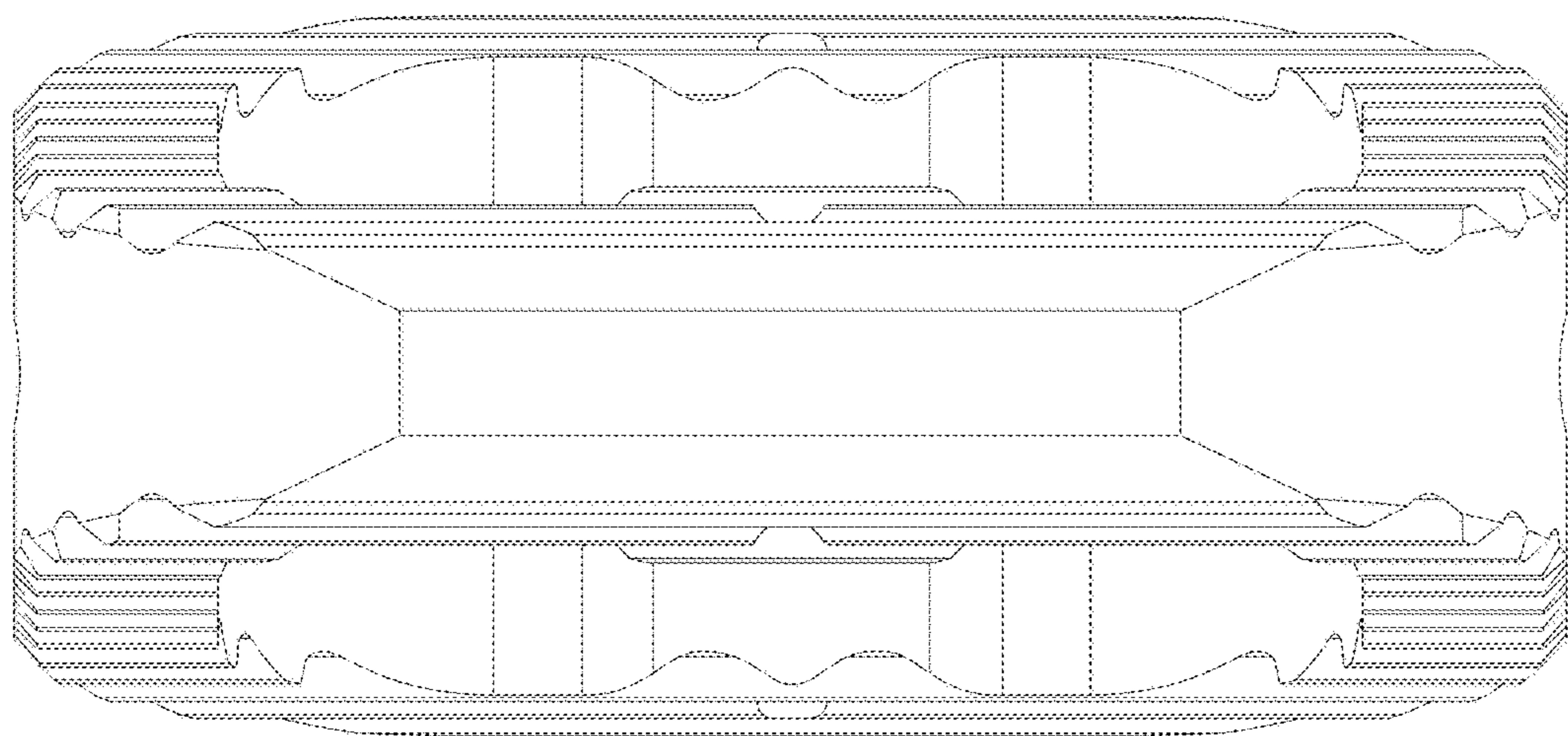


FIG. 15

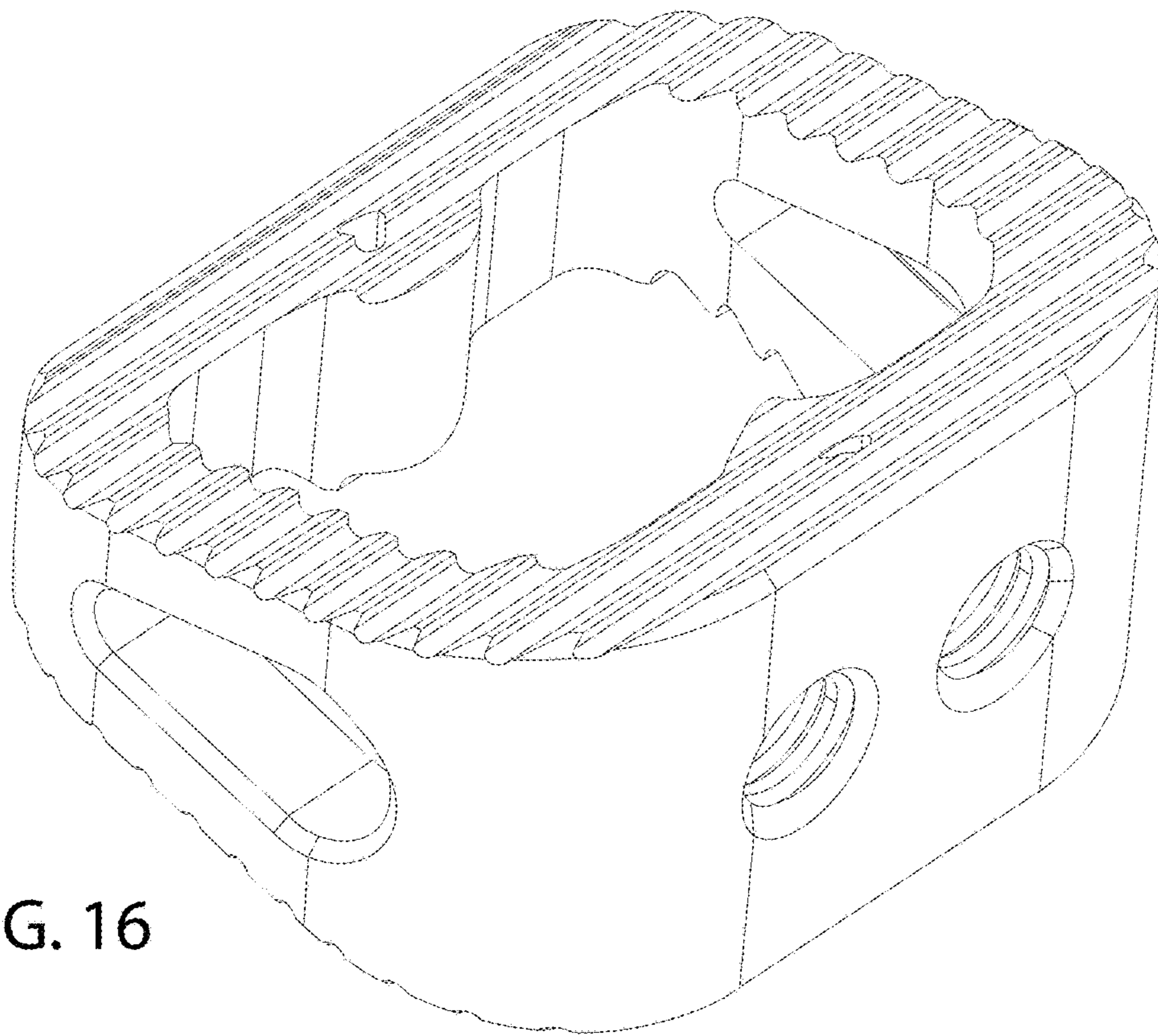


FIG. 16

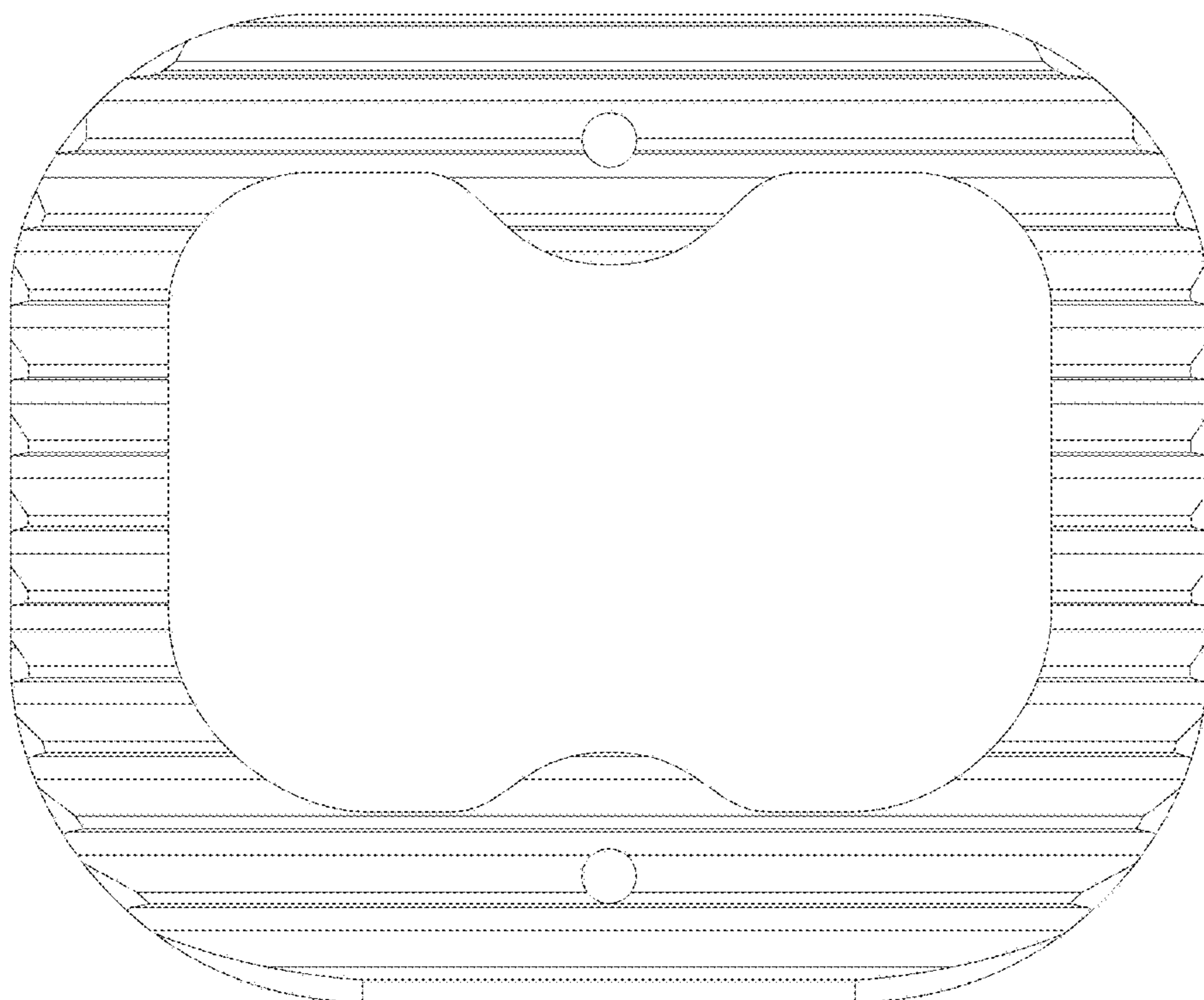


FIG. 17

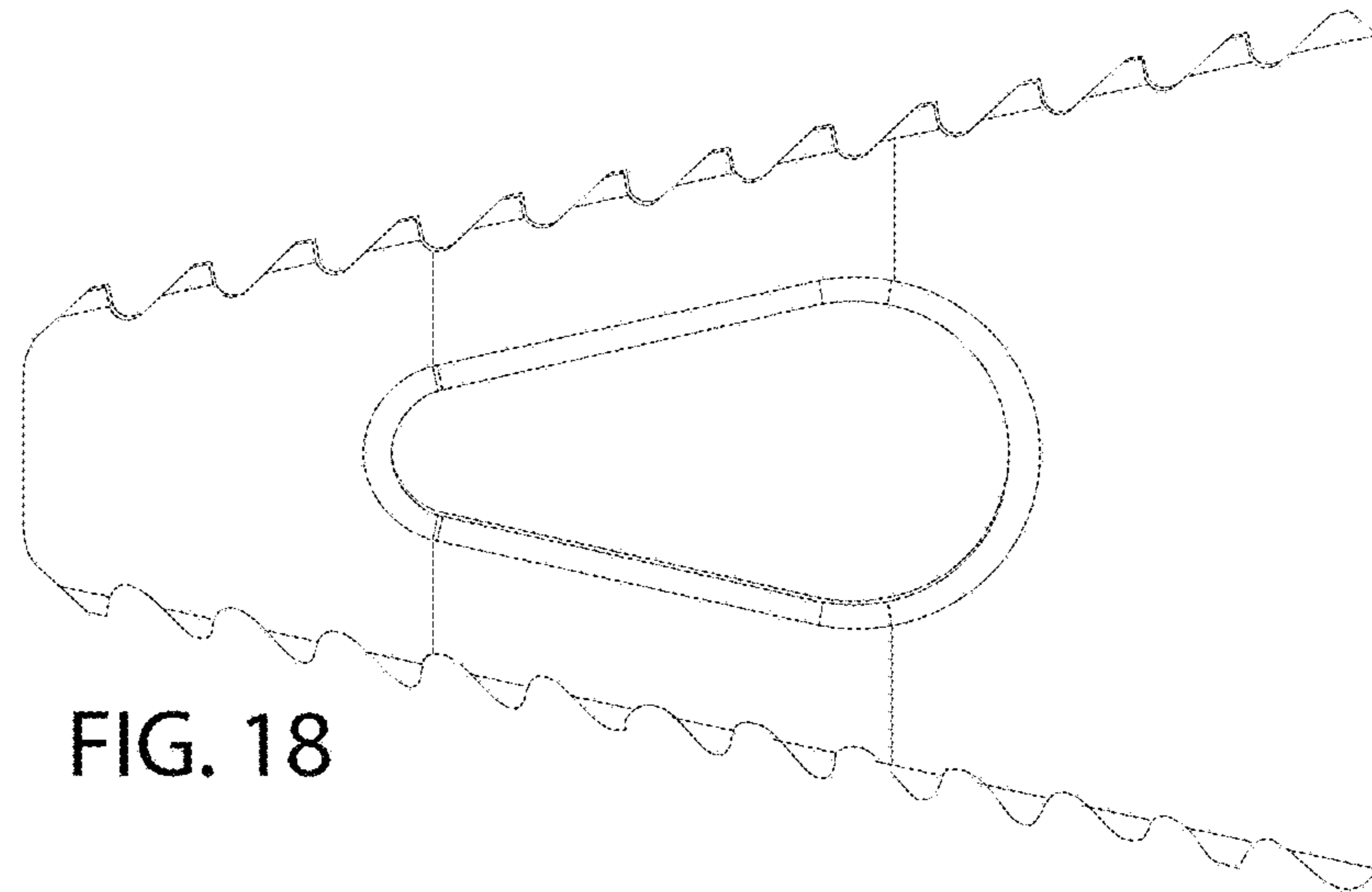


FIG. 18

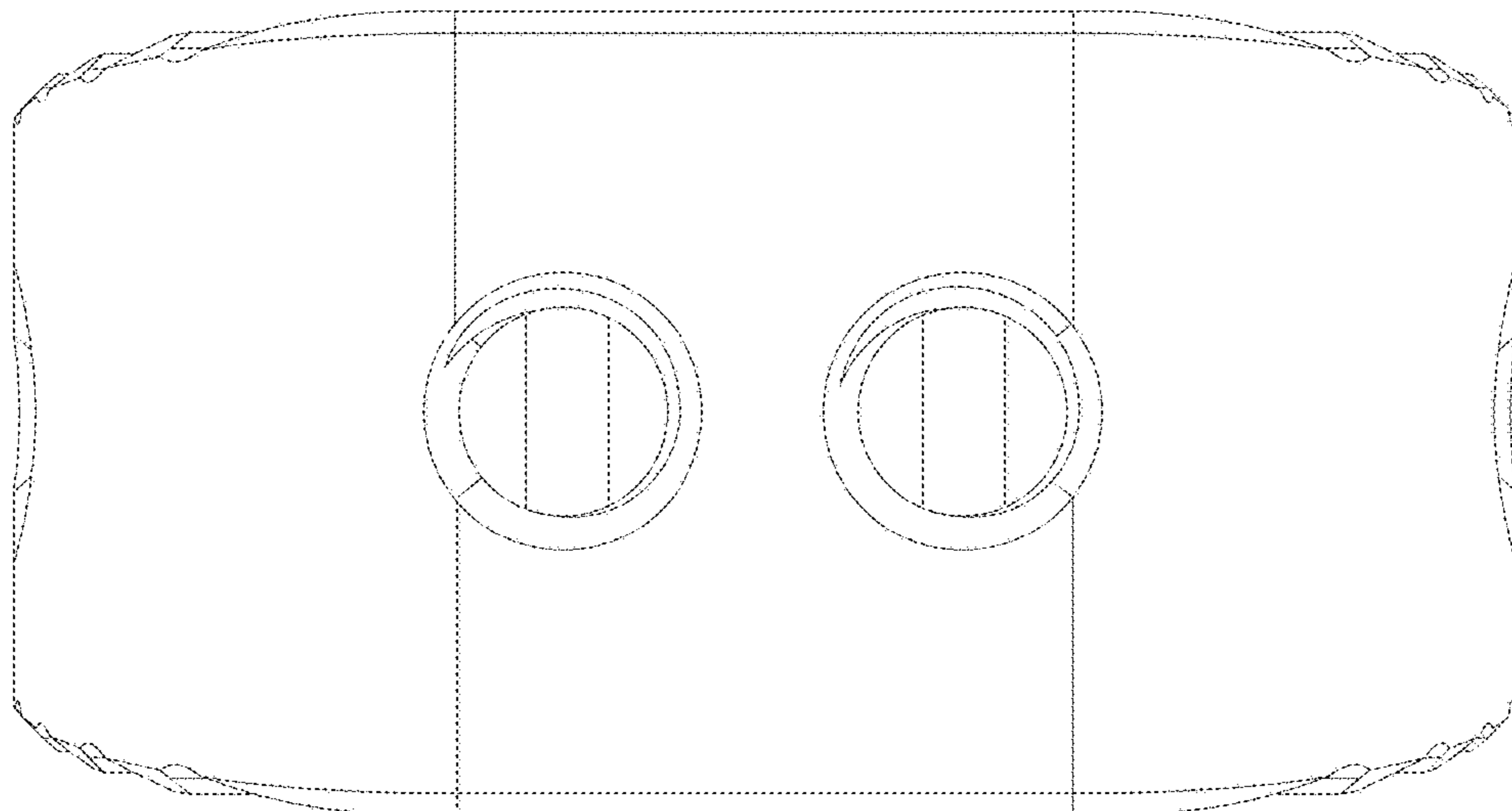


FIG. 19

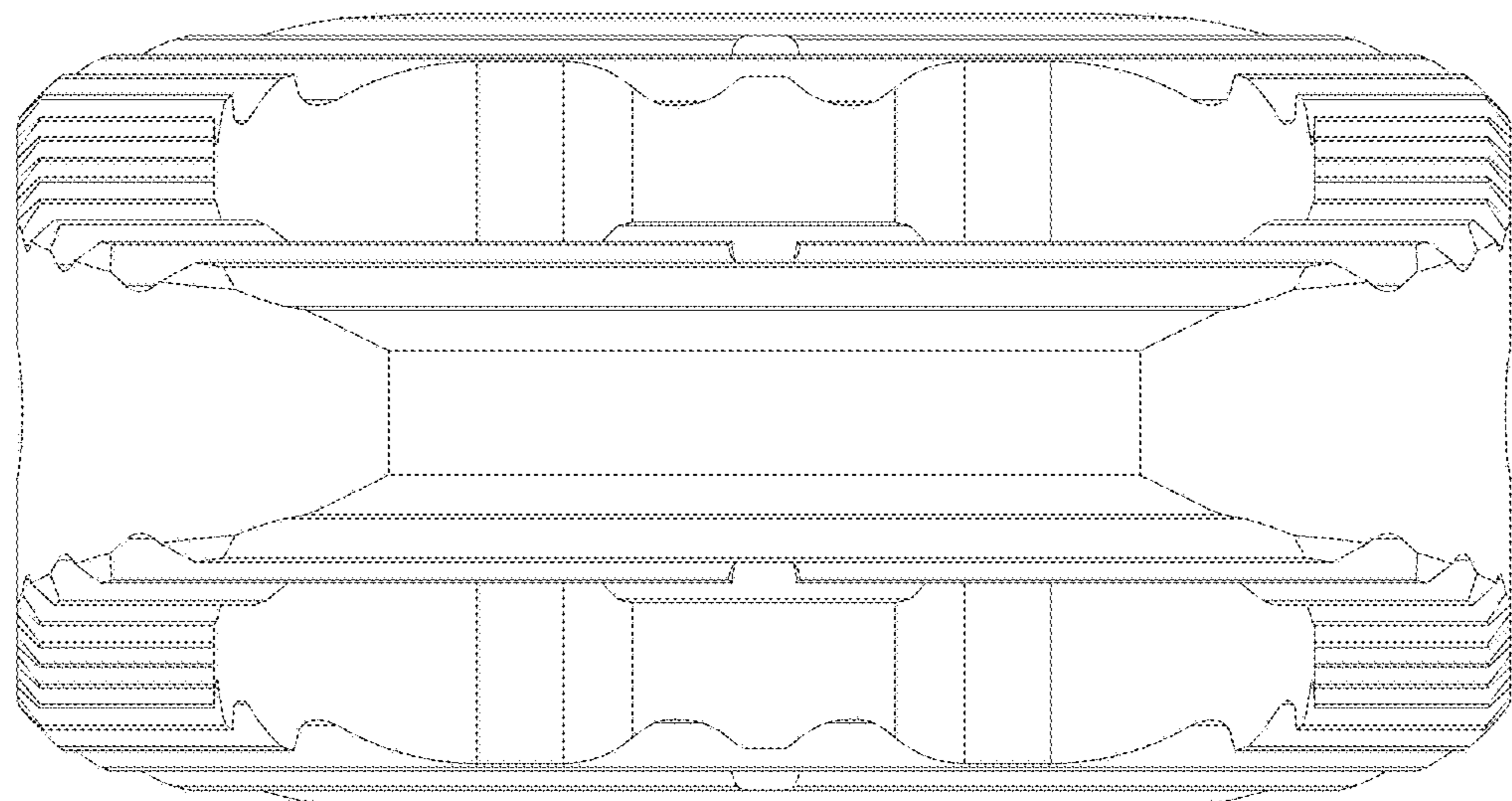


FIG. 20

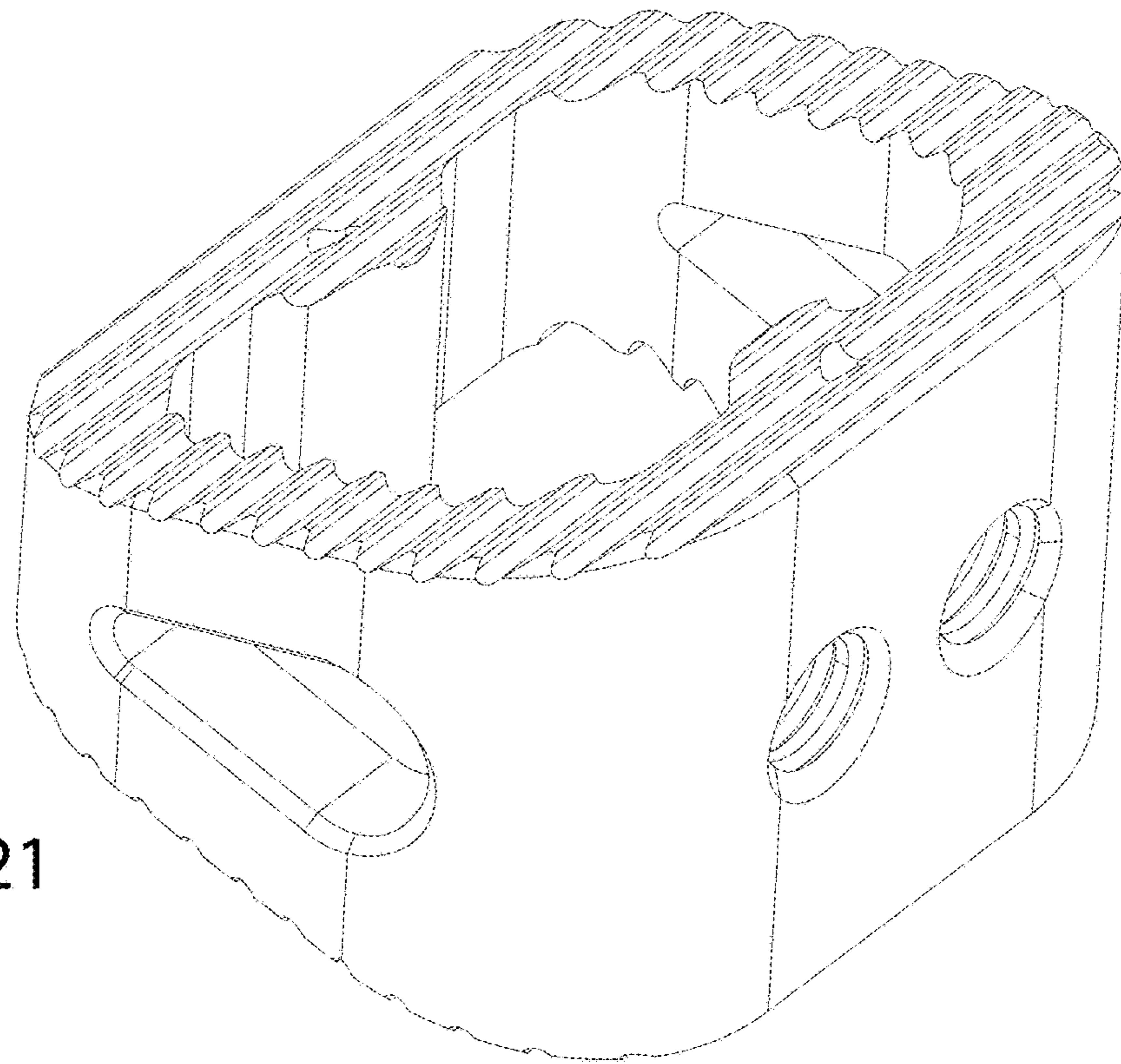


FIG. 21

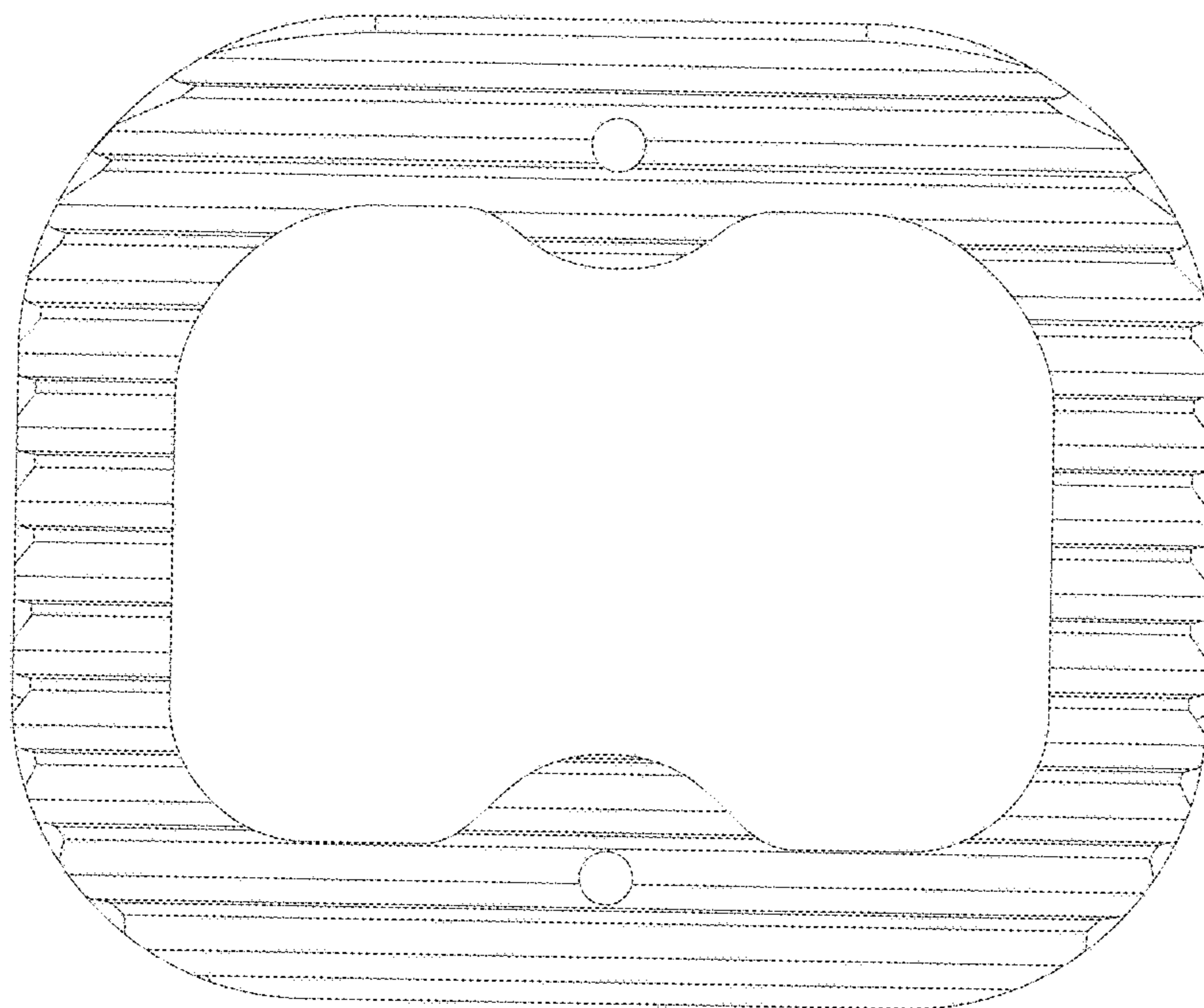


FIG. 22

FIG. 23

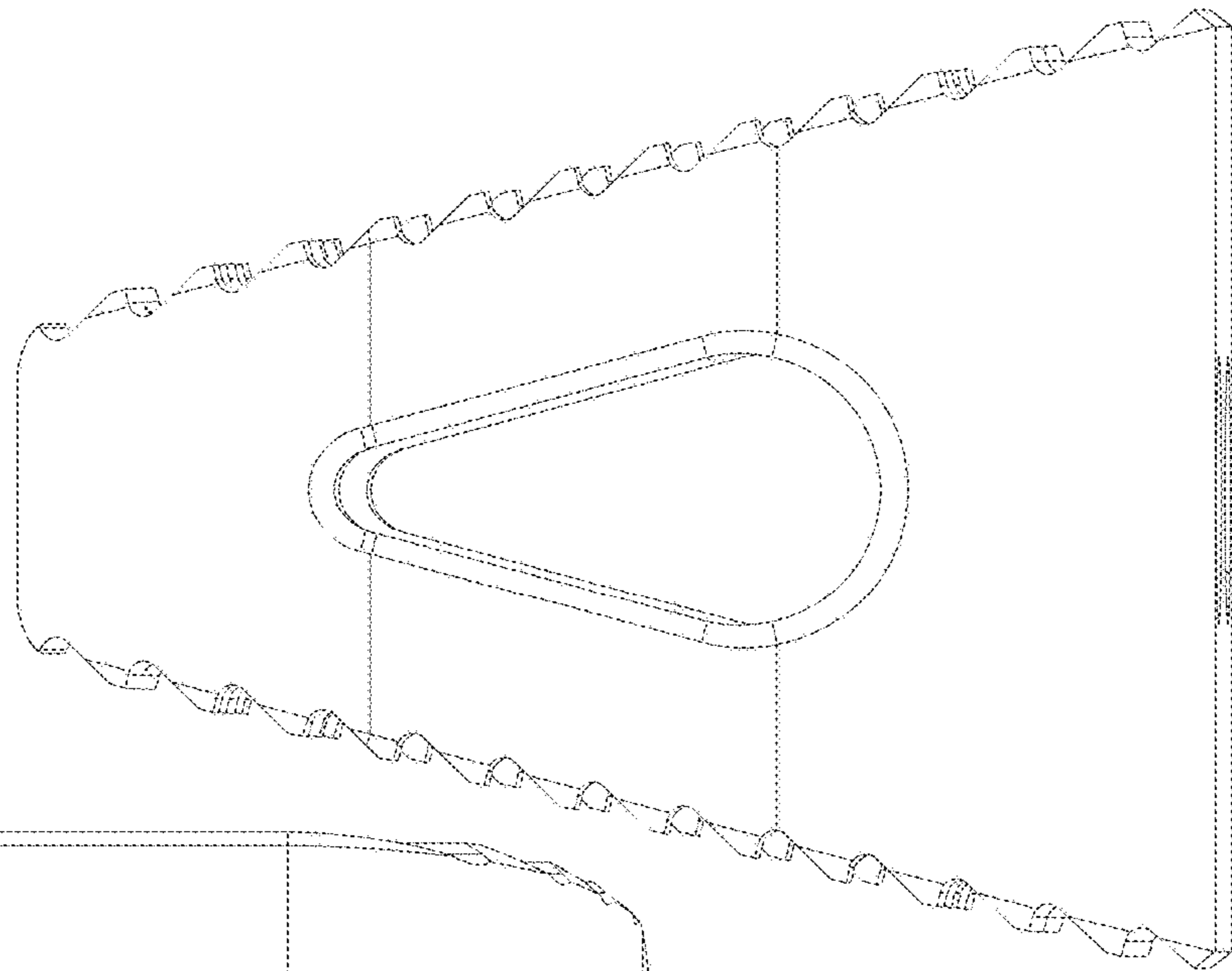


FIG. 24

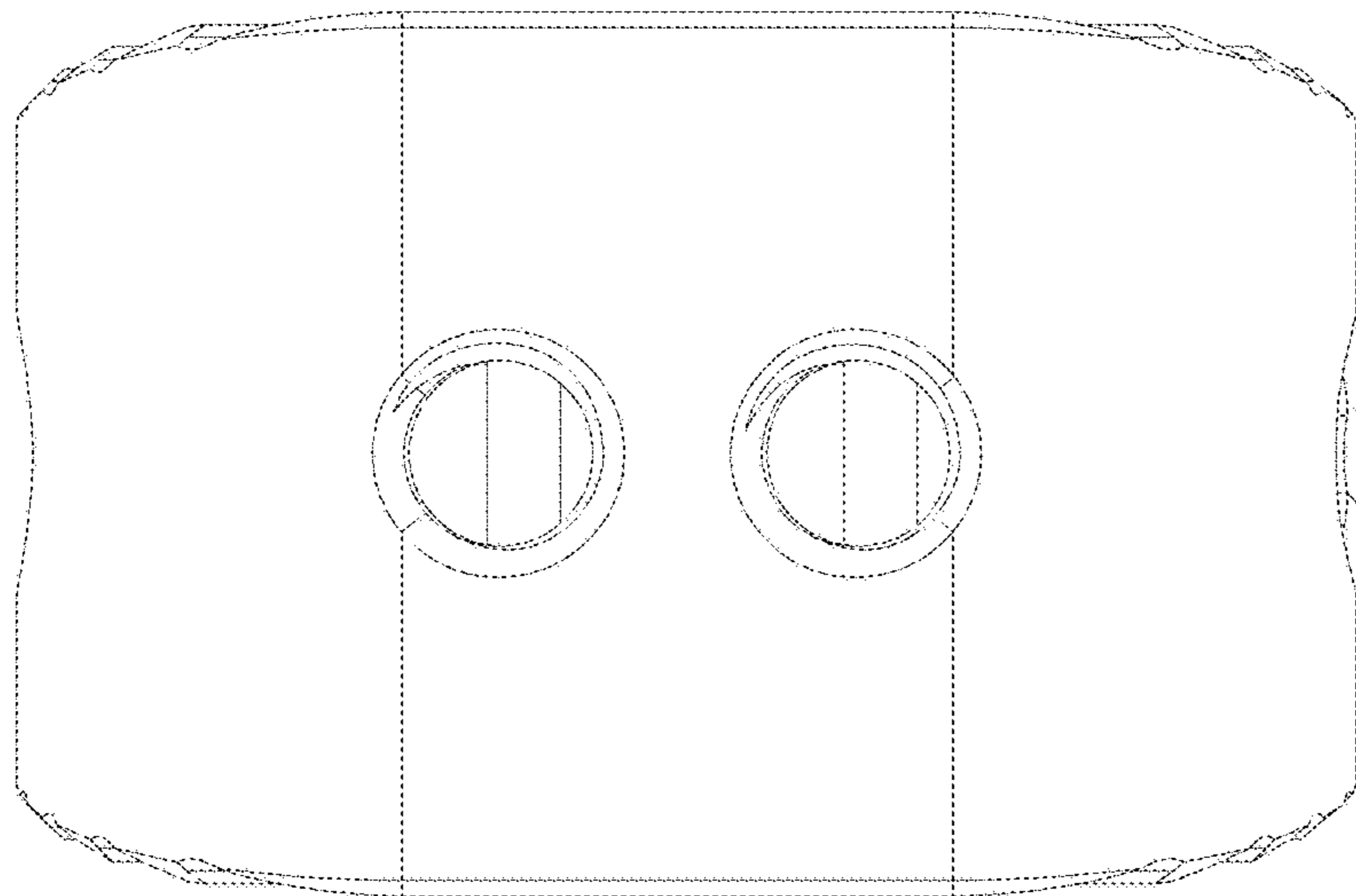
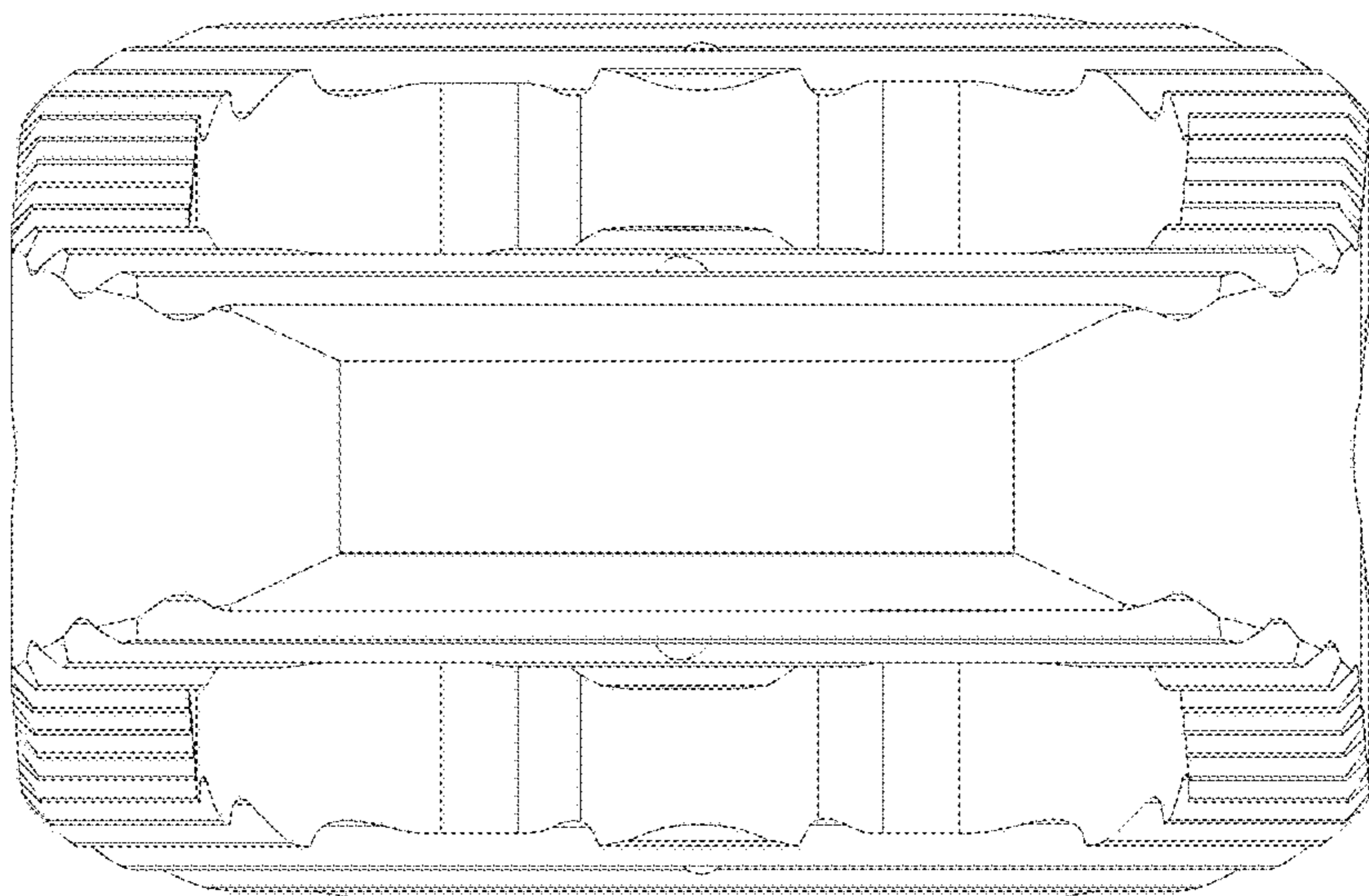


FIG. 25



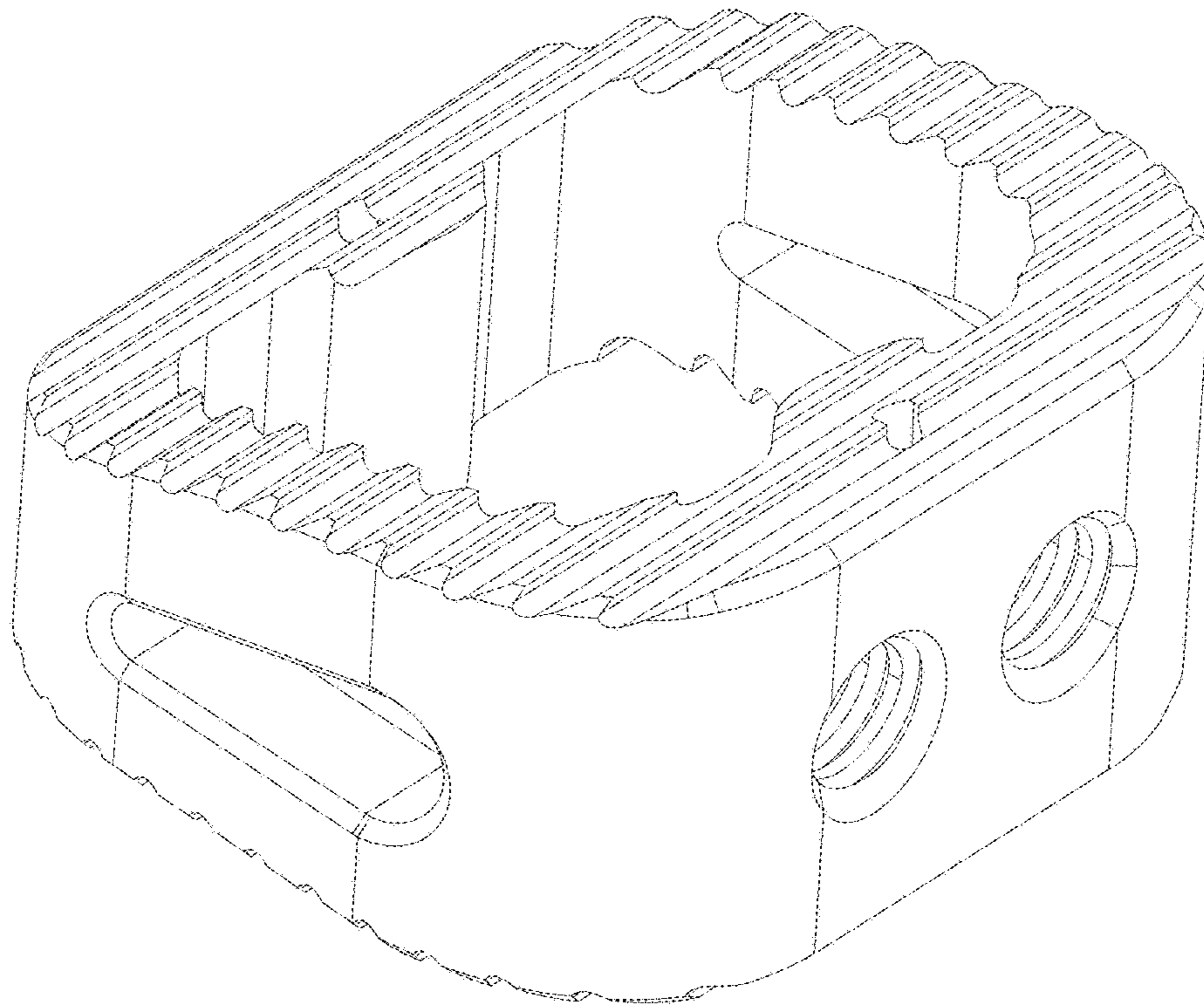


FIG. 26

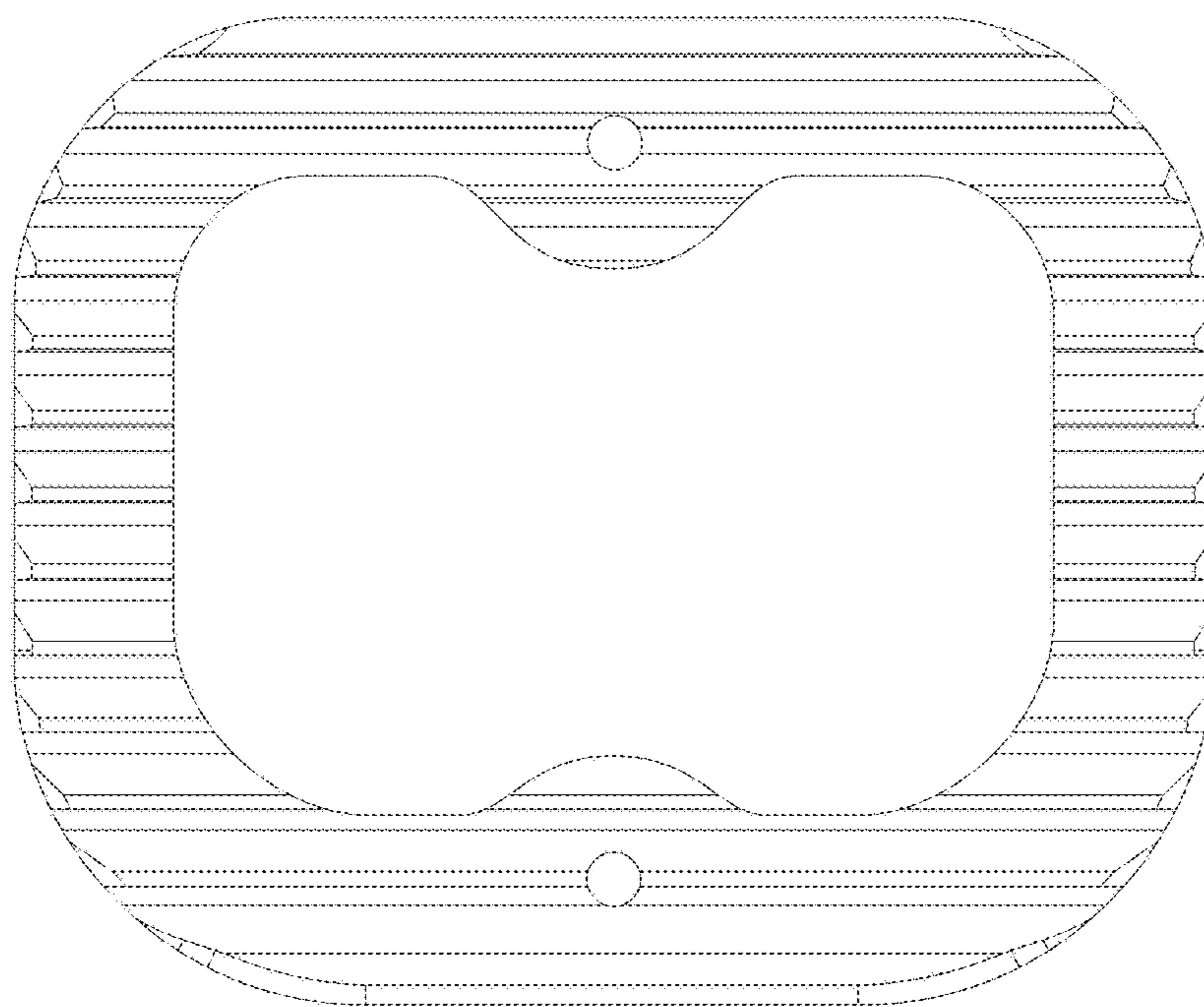


FIG. 27

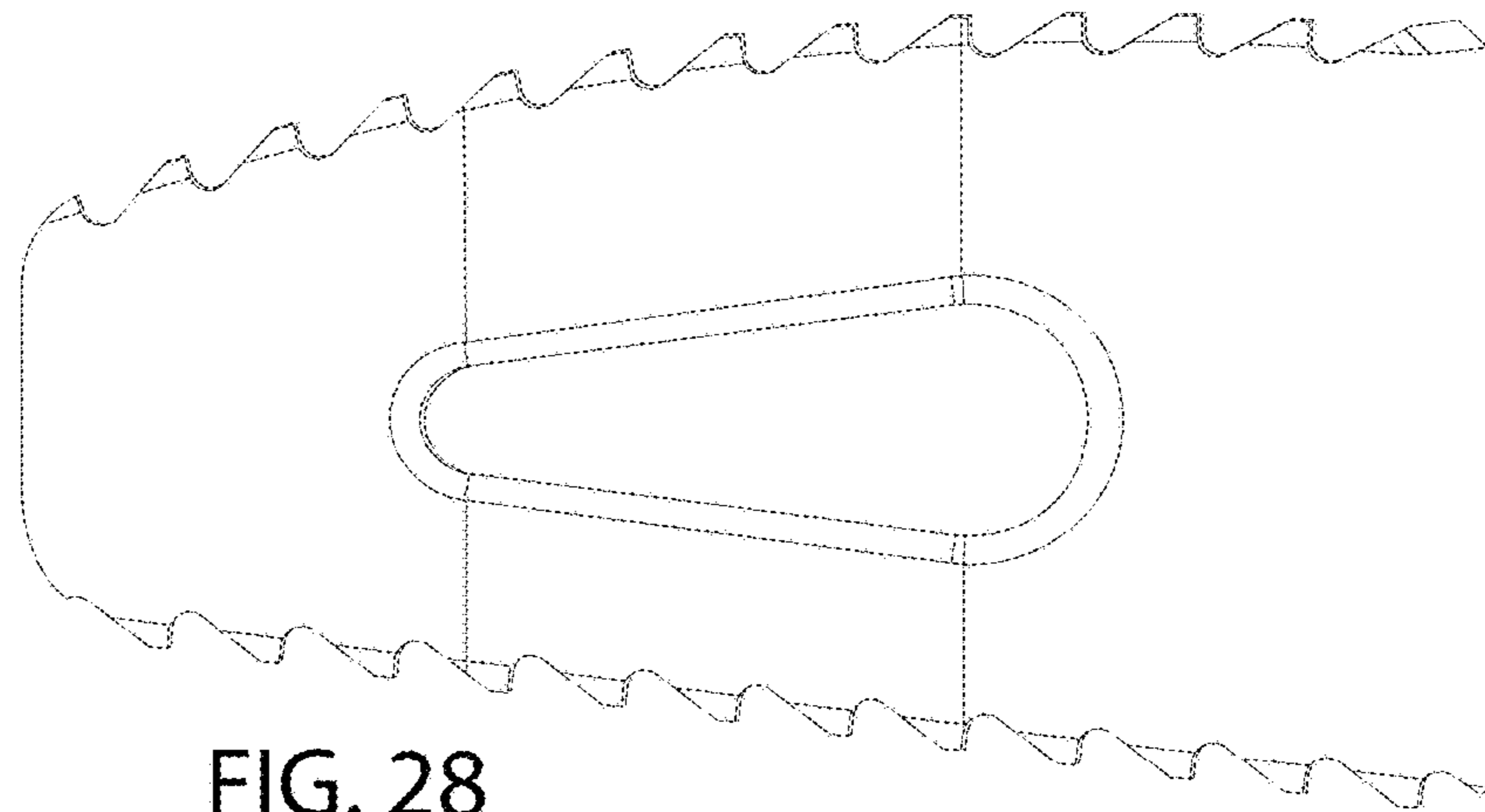


FIG. 28

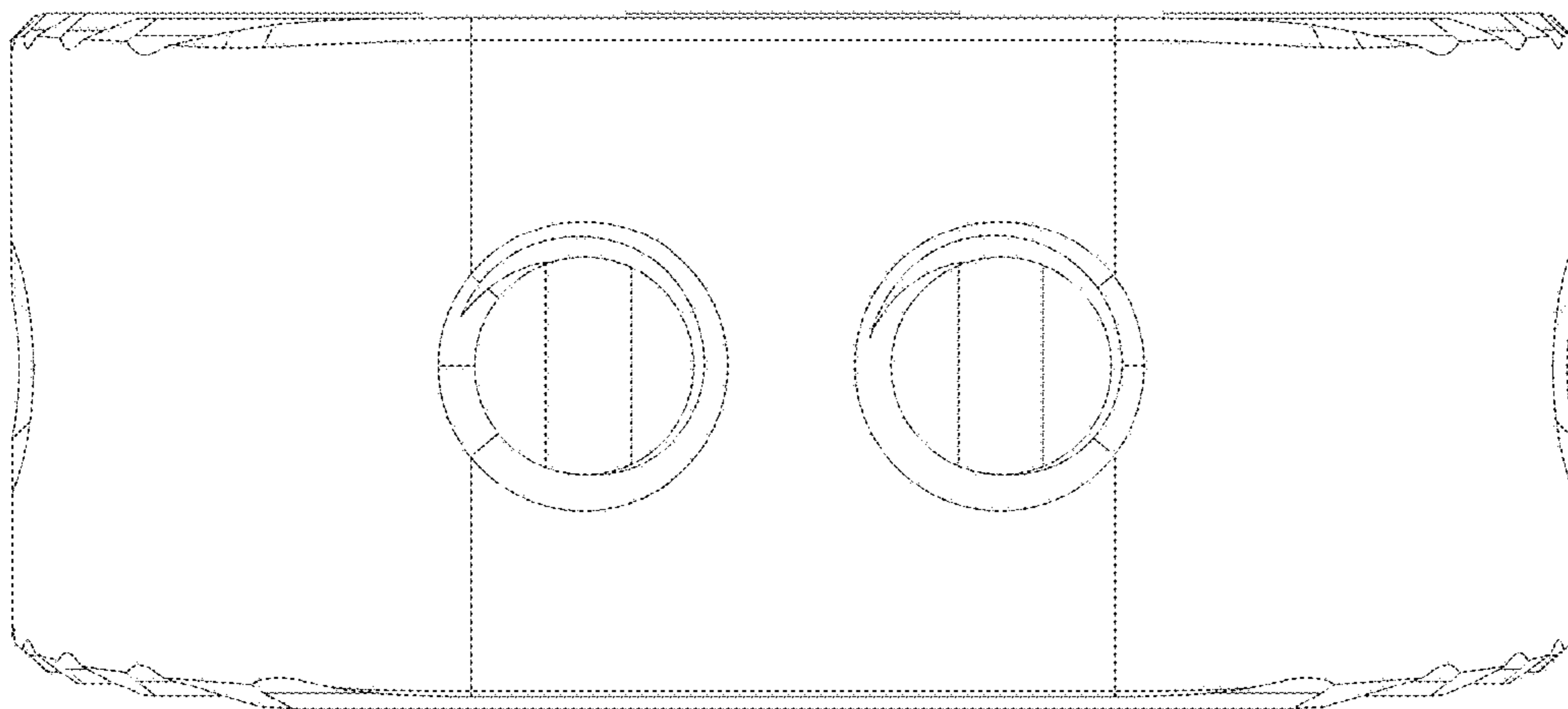


FIG. 29

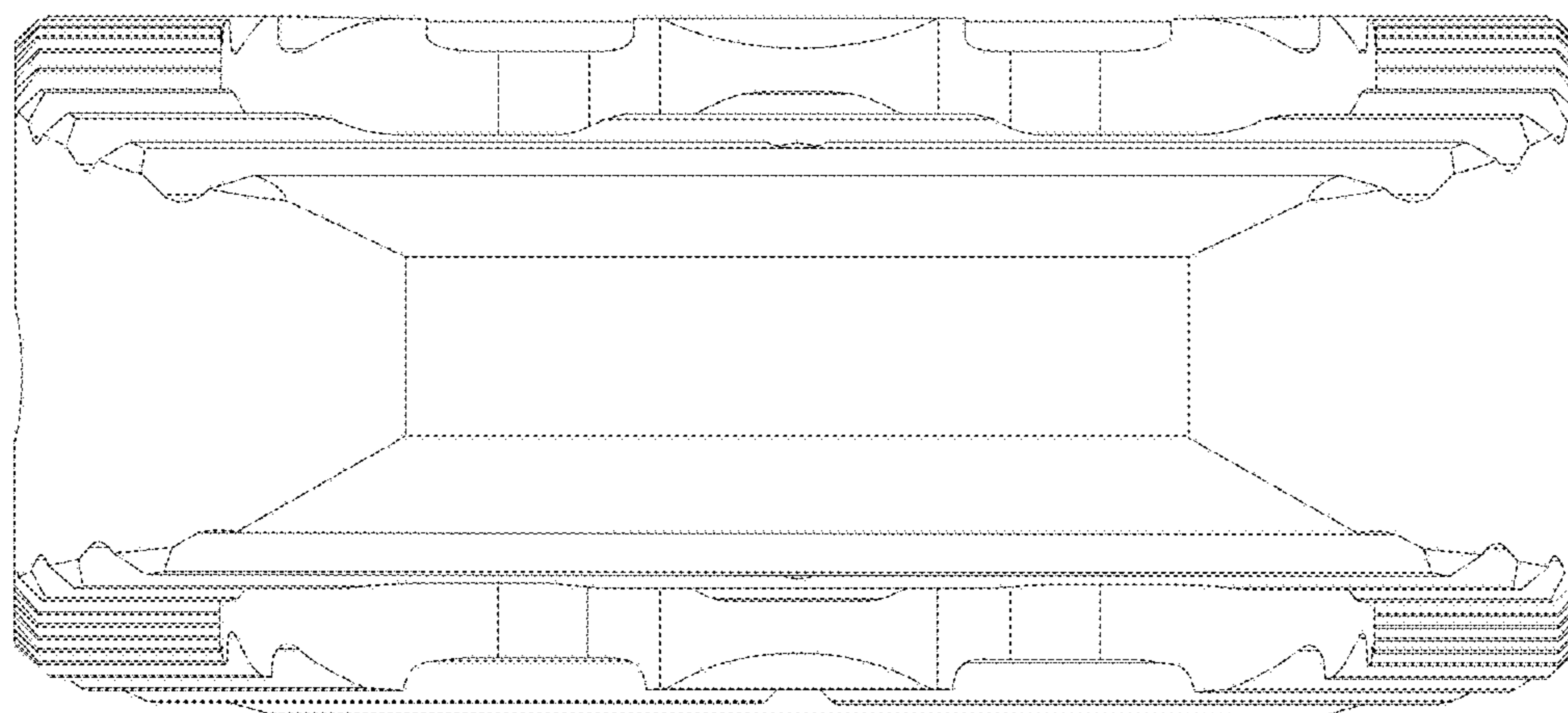


FIG. 30



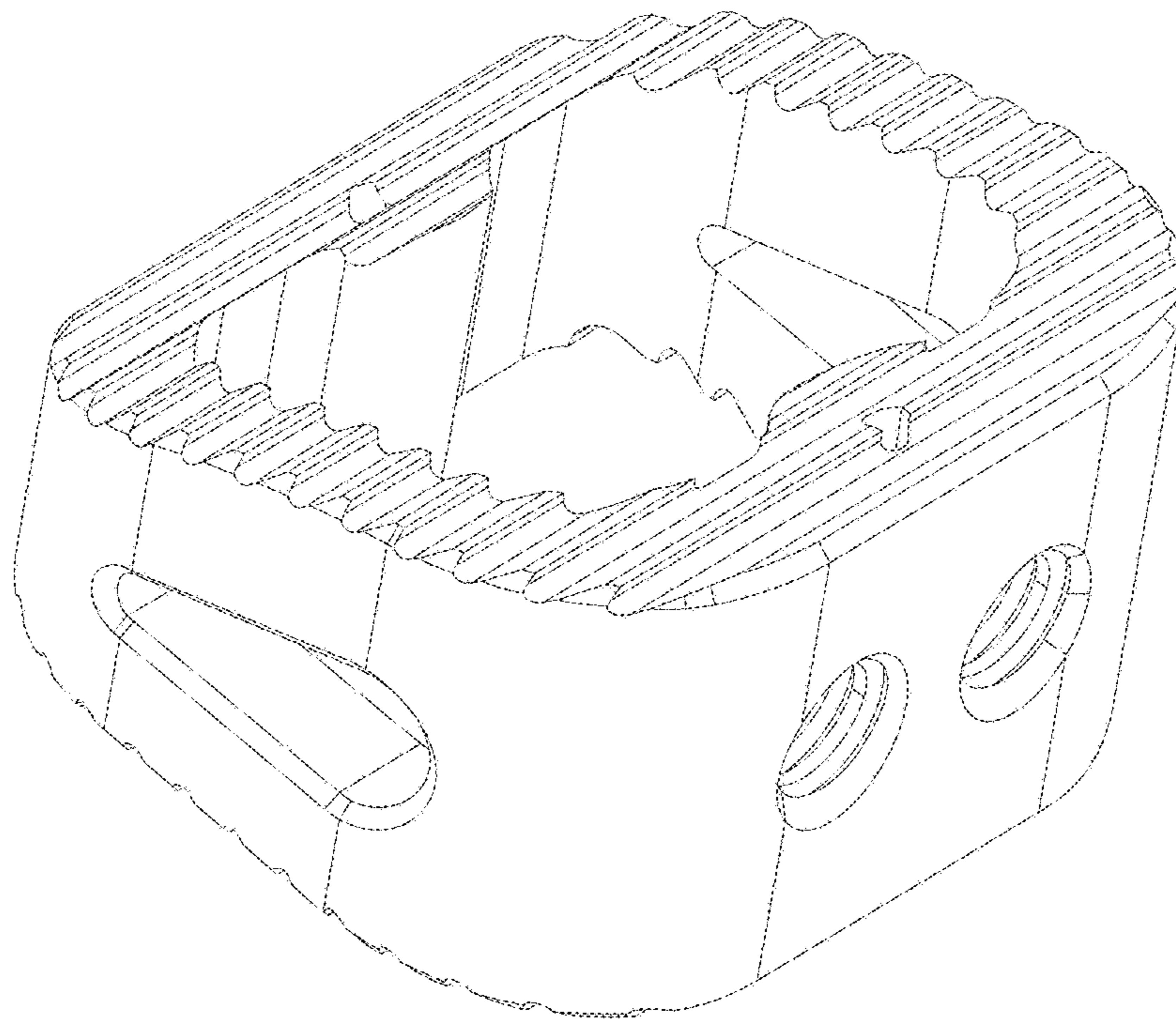


FIG. 31

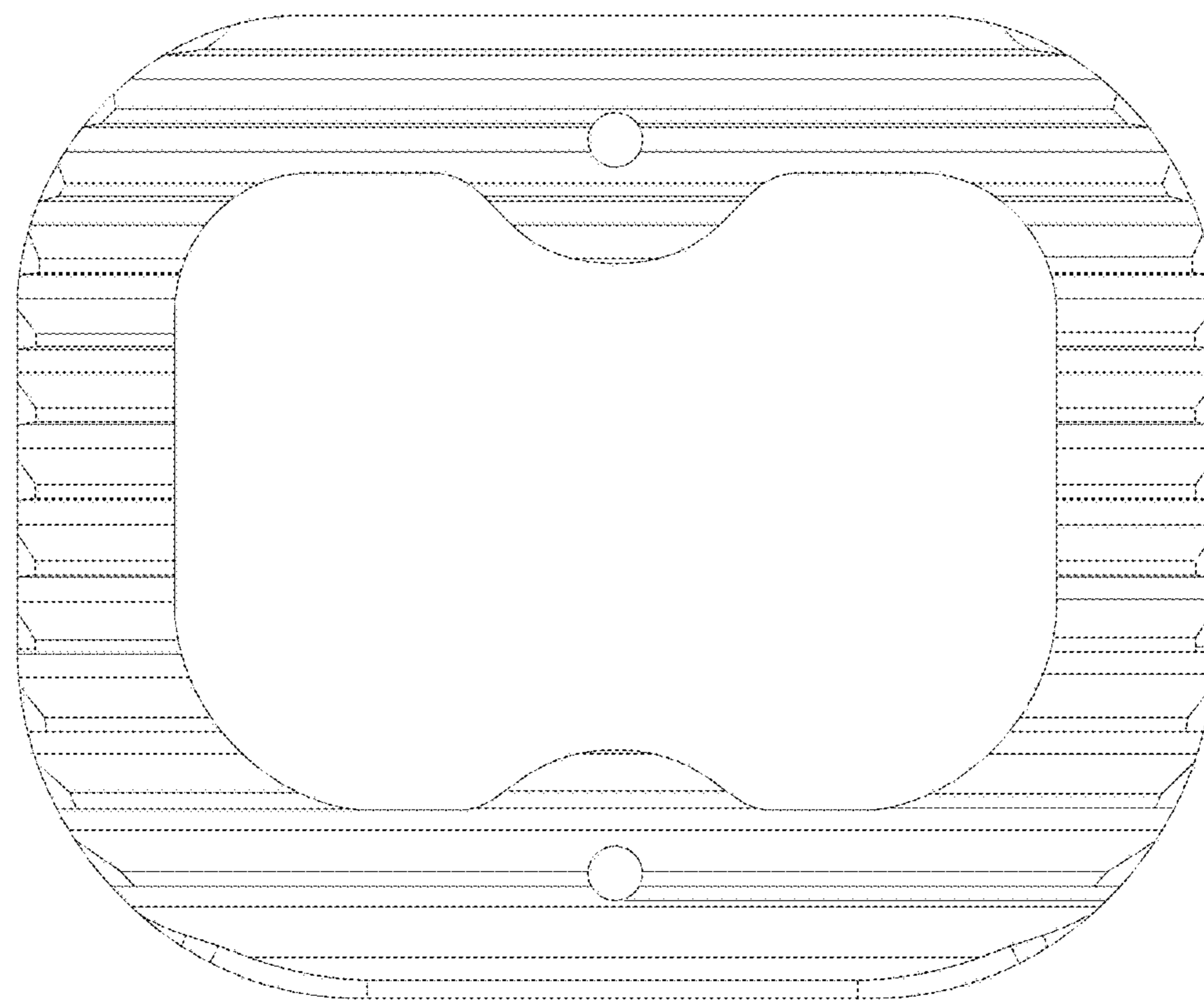


FIG. 32

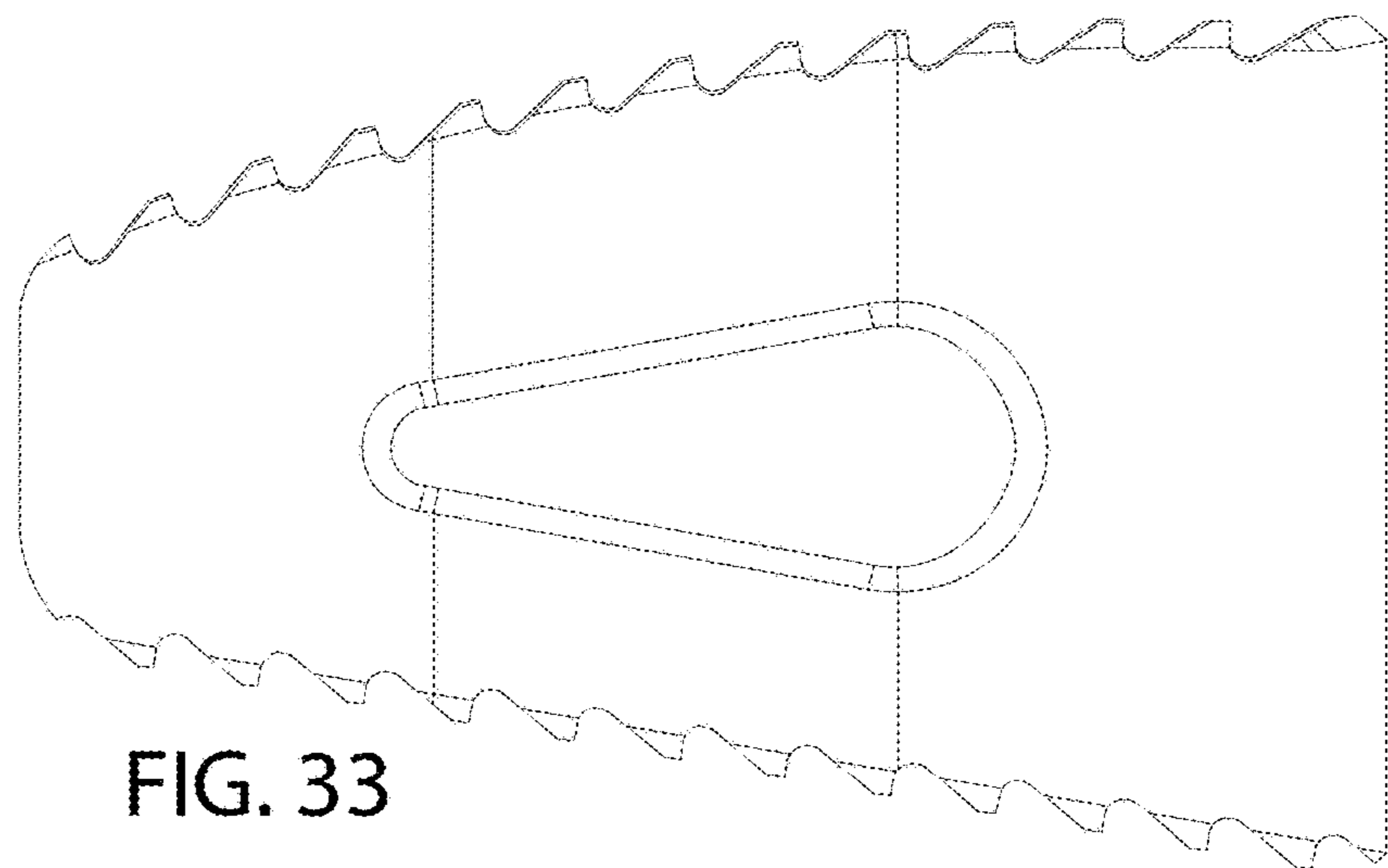


FIG. 33

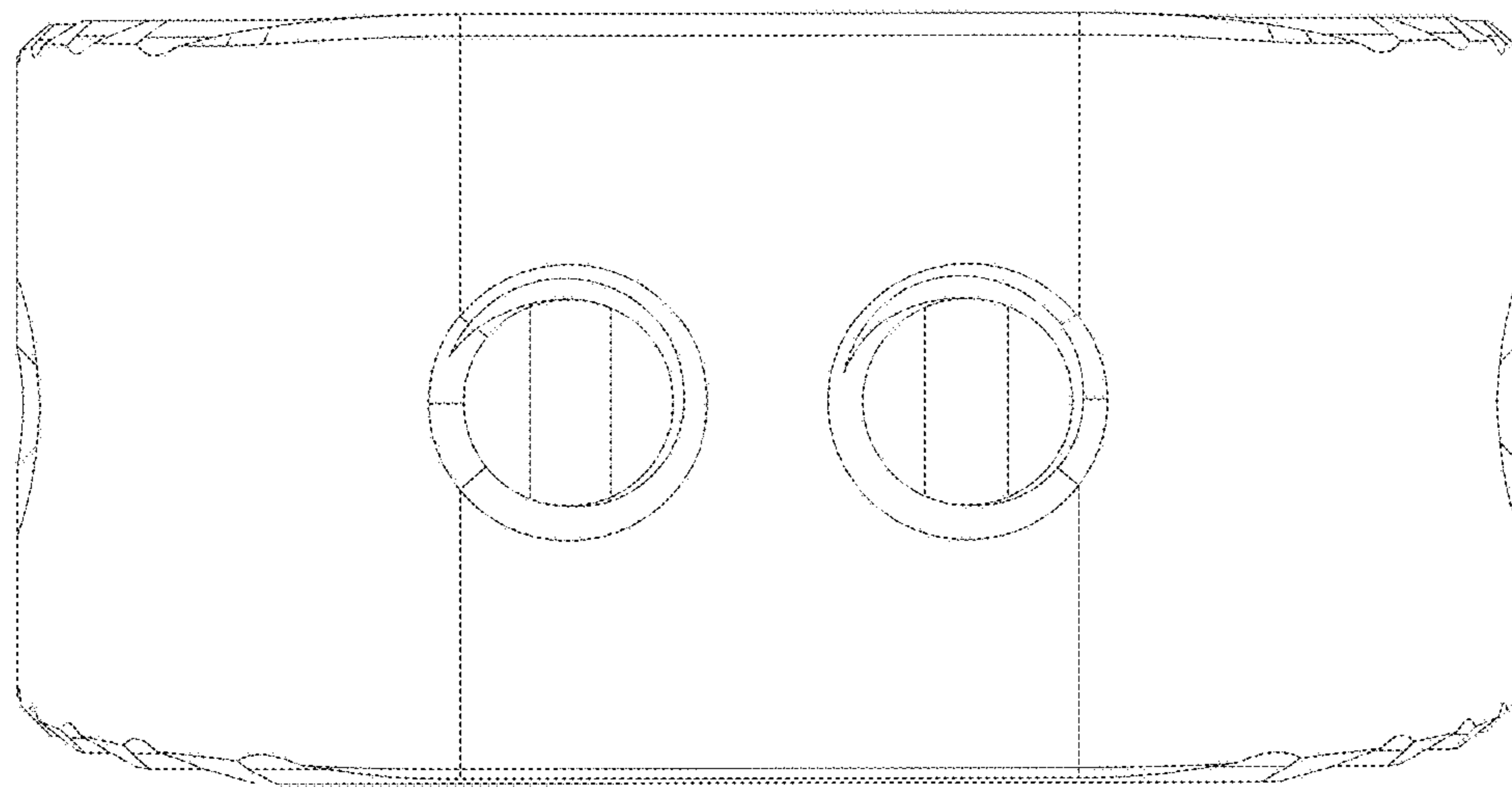


FIG. 34

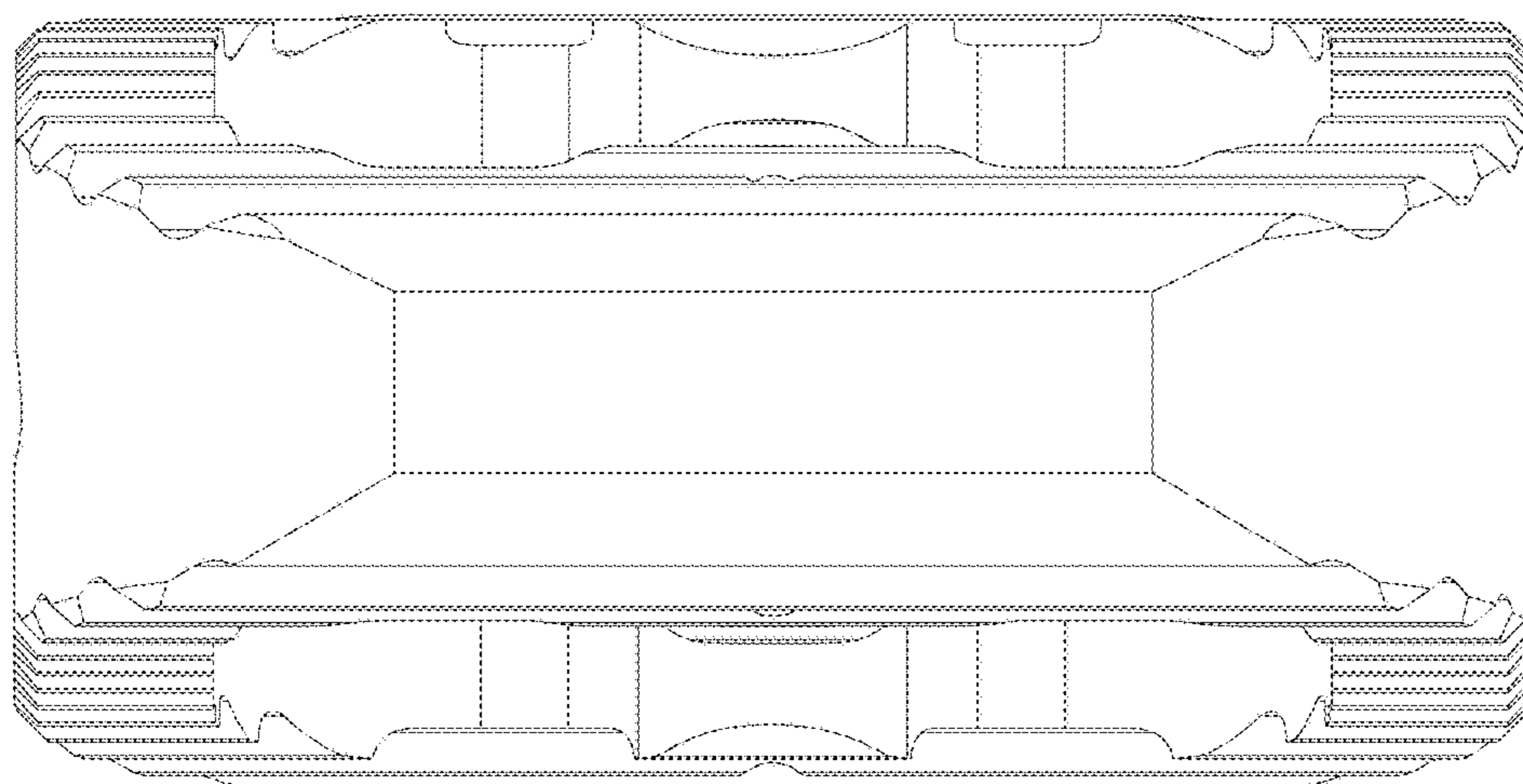


FIG. 35

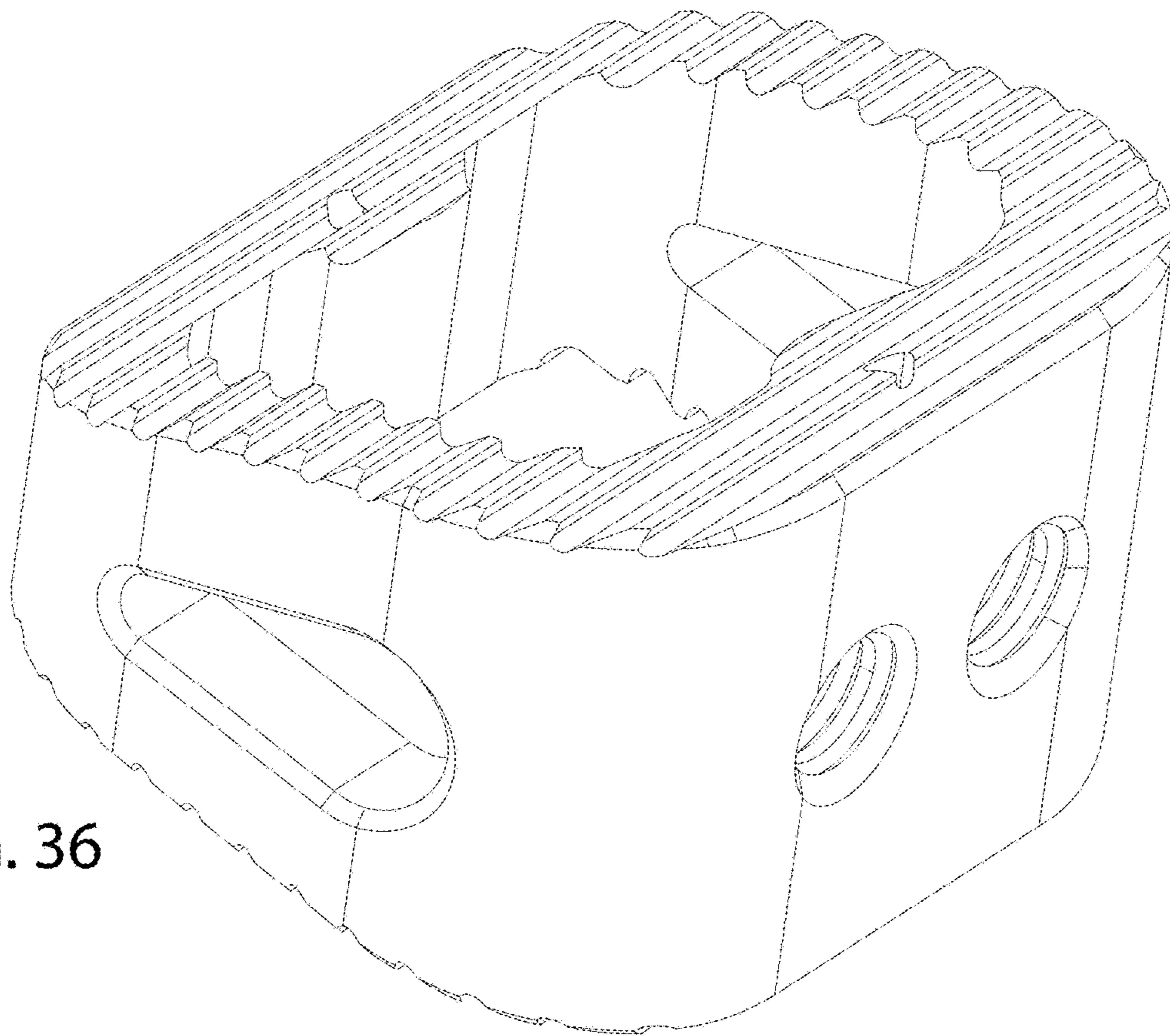


FIG. 36

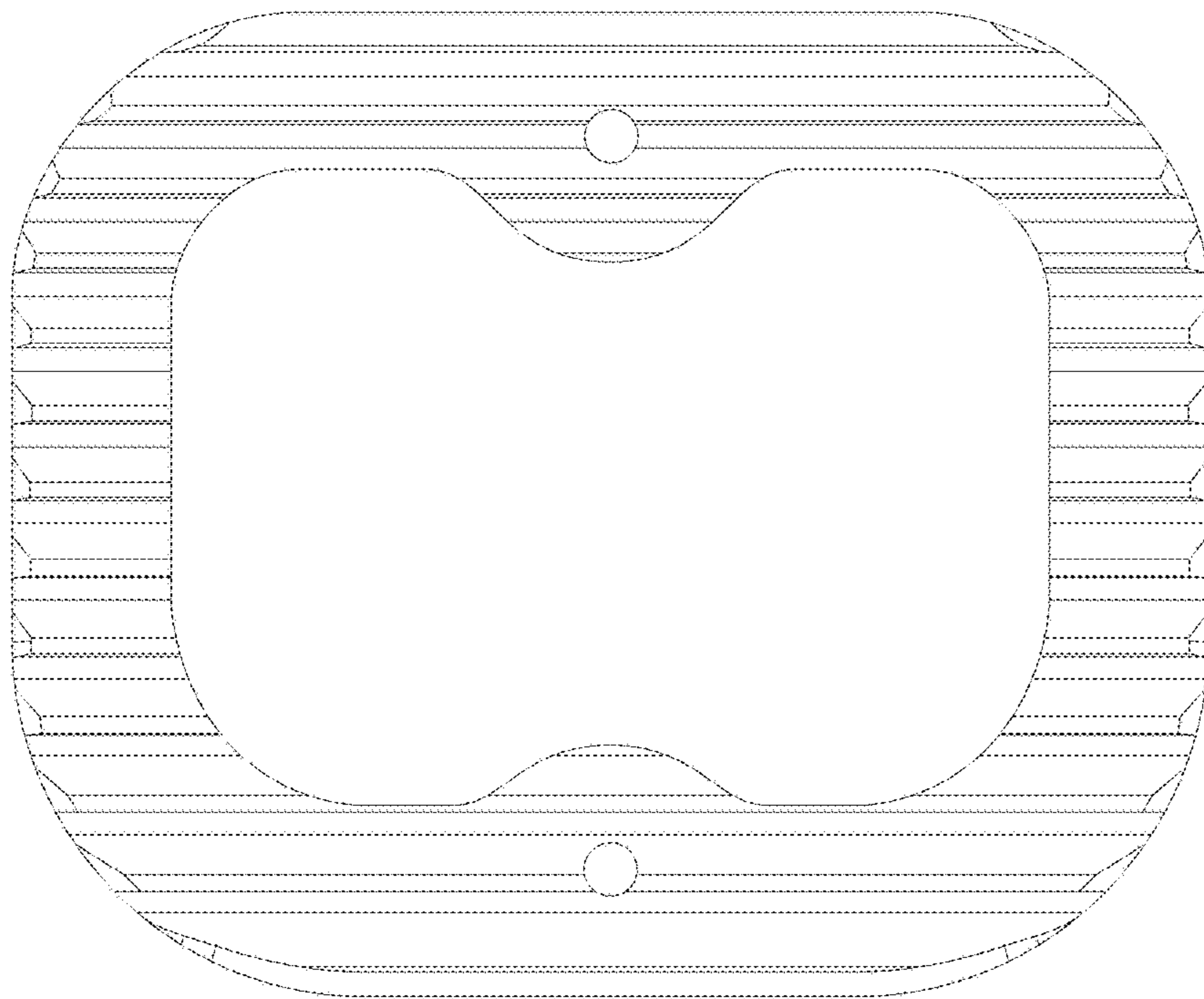


FIG. 37

FIG. 38

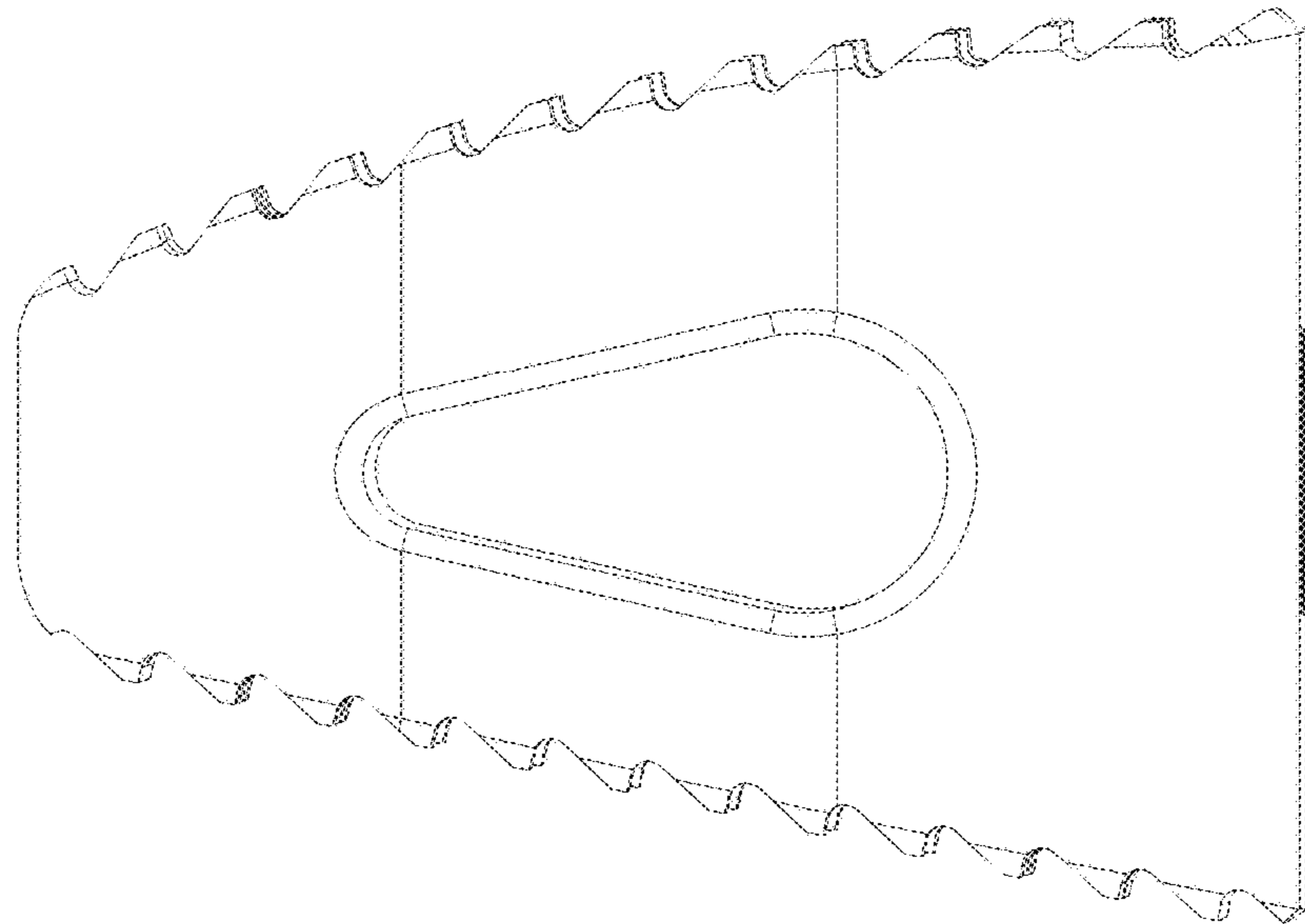


FIG. 39

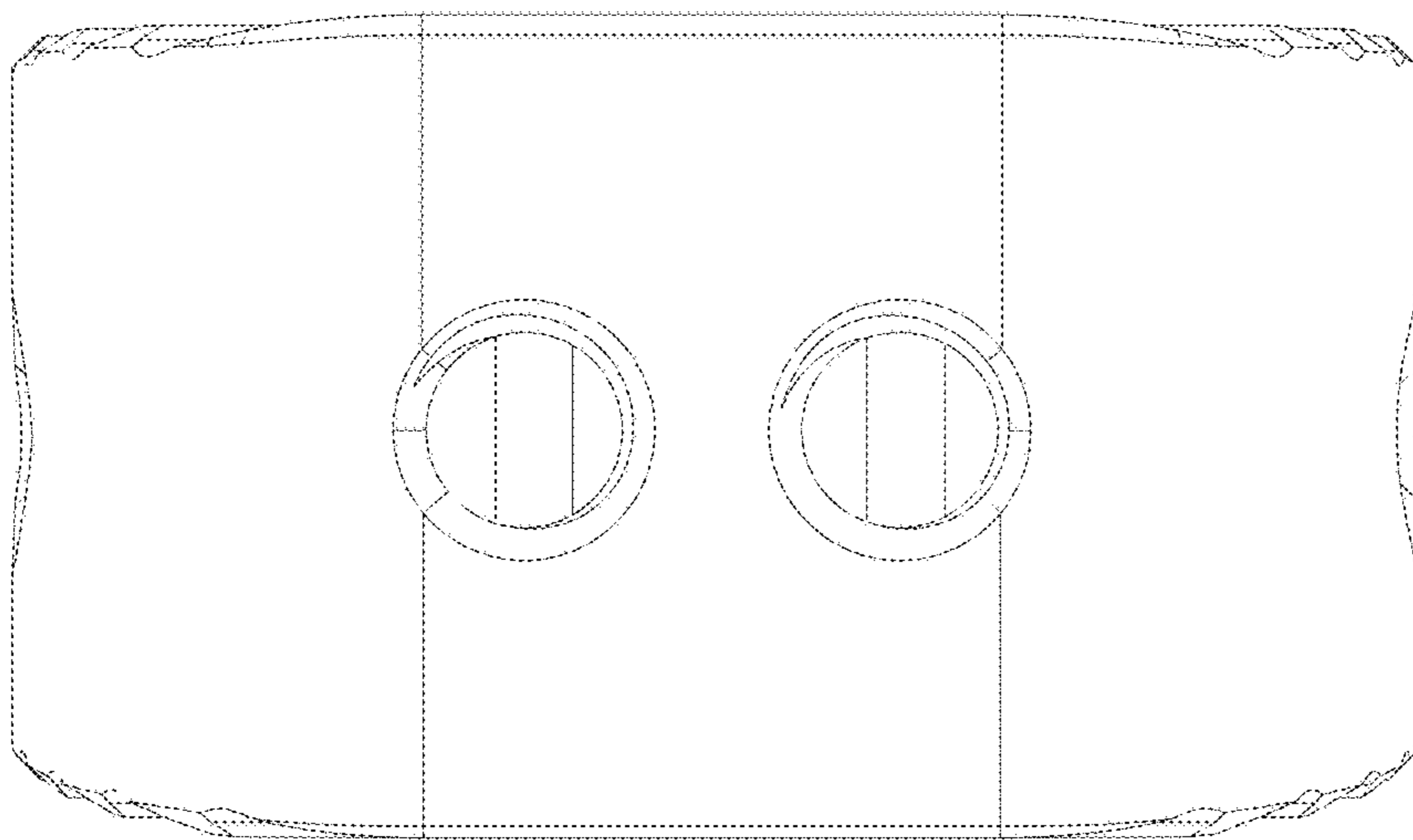
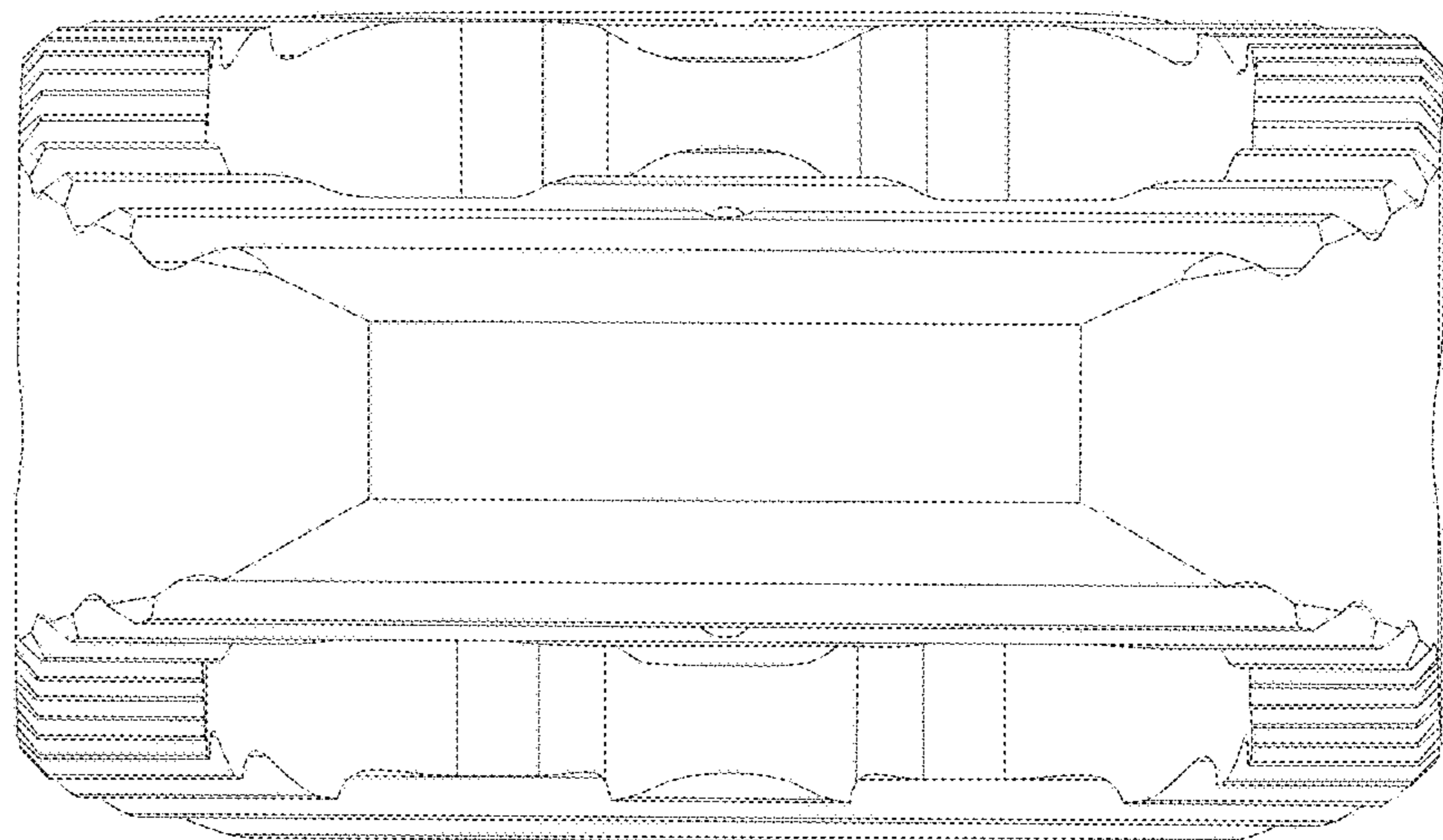


FIG. 40



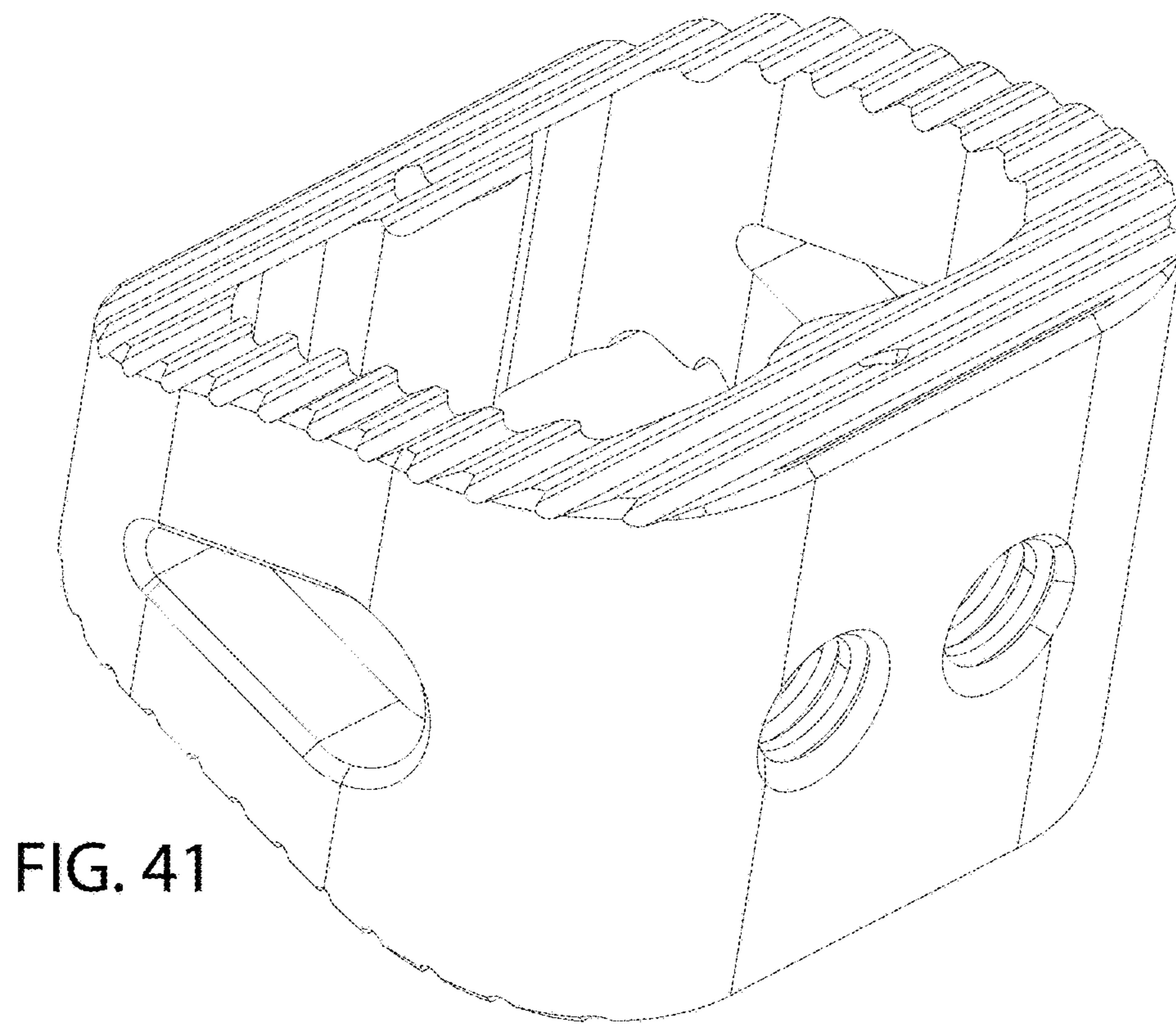


FIG. 41

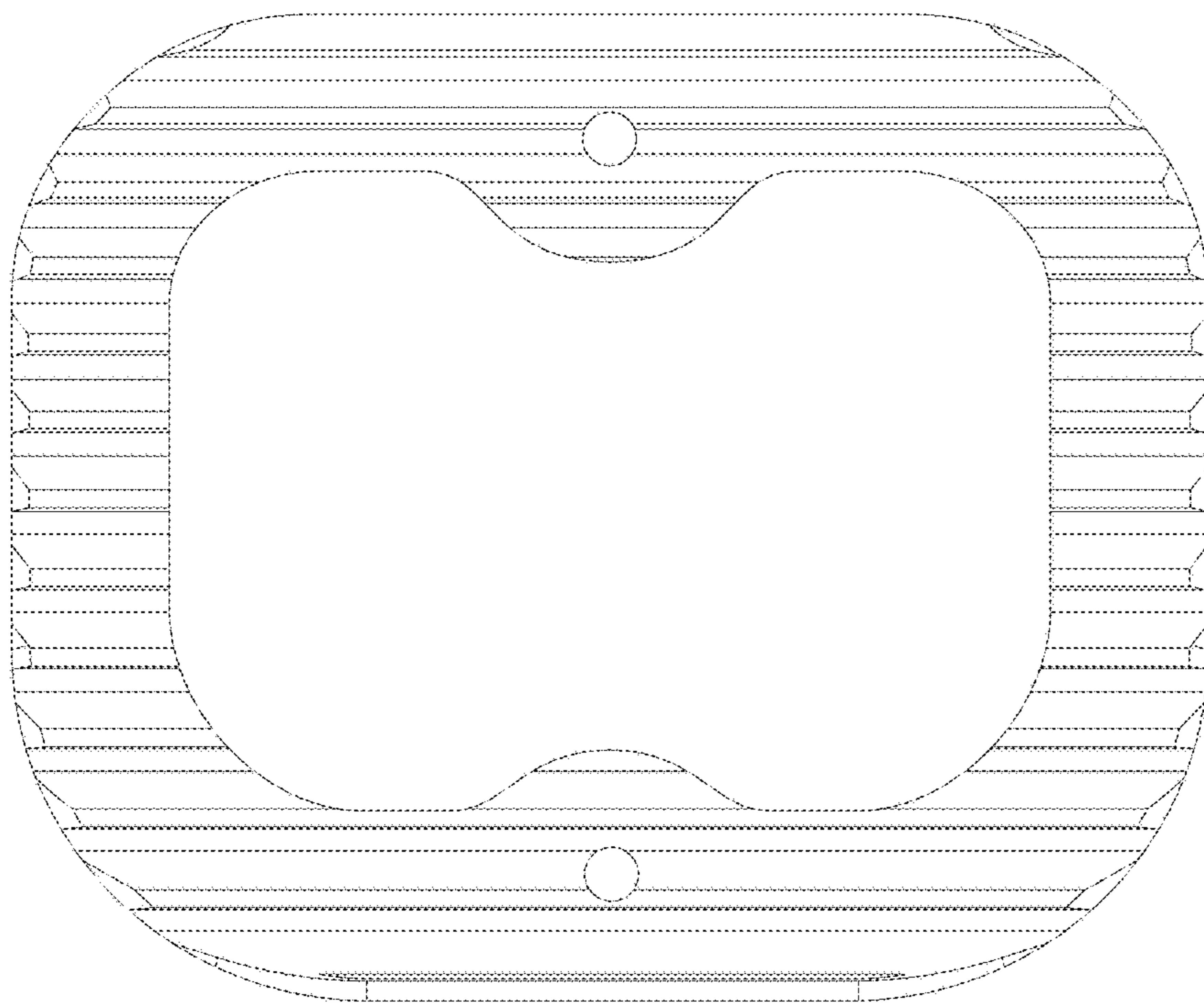


FIG. 42

FIG. 43

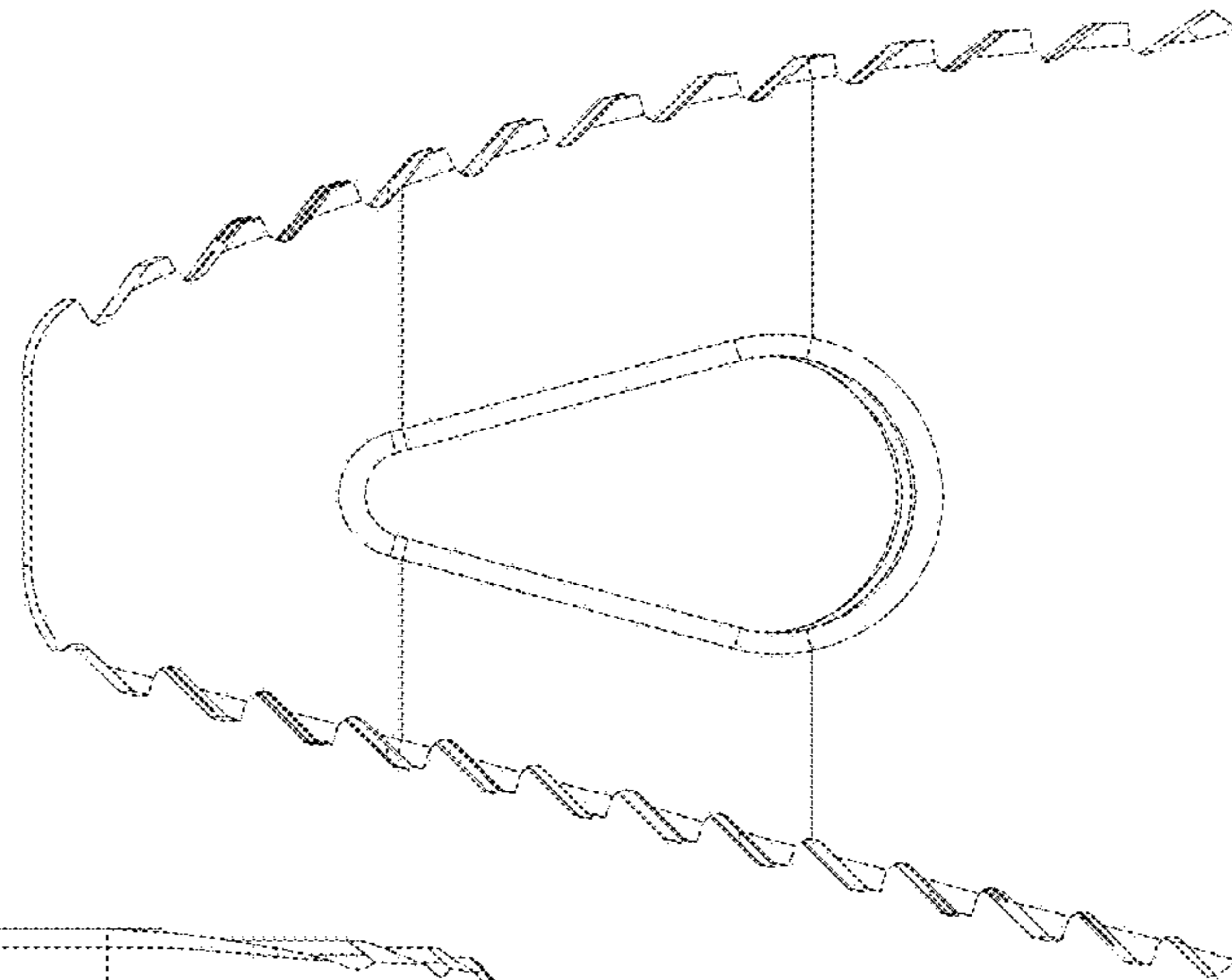


FIG. 44

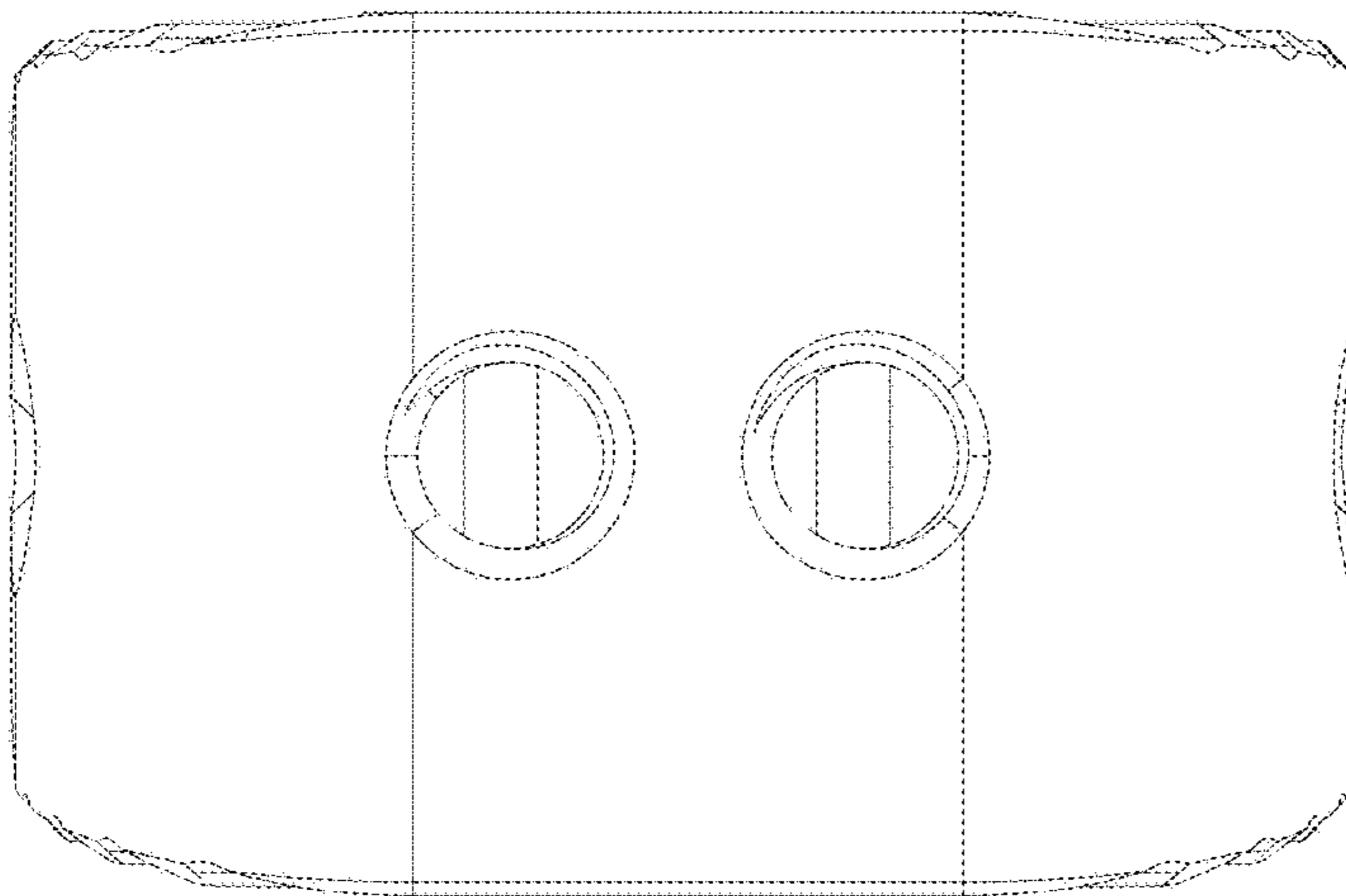


FIG. 45

