



US00D858766S

(12) **United States Design Patent**  
**Pfeffer et al.**

(10) **Patent No.:** **US D858,766 S**  
(45) **Date of Patent:** **\*\* Sep. 3, 2019**

- (54) **SHAFT ATTACHABLE MEDICAL INSTRUMENT**
- (71) Applicant: **KARL STORZ GmbH & Co. KG**,  
Tuttlingen (DE)
- (72) Inventors: **Marian Pfeffer**, Tuttlingen (DE);  
**Frank Doll**, Tuttlingen (DE); **Daniel Kaercher**,  
Tuttlingen (DE); **Yann Thouément**, Guyancourt (FR); **Régis Besse**,  
Guyancourt (FR)
- (73) Assignee: **KARL STORZ SE & Co. KG**,  
Tuttlingen (DE)
- (\*\*) Term: **15 Years**
- (21) Appl. No.: **29/618,818**
- (22) Filed: **Sep. 25, 2017**
- (30) **Foreign Application Priority Data**  
Mar. 23, 2017 (EM) ..... 003819564-0005
- (51) **LOC (12) Cl.** ..... **24-02**
- (52) **U.S. Cl.**  
USPC ..... **D24/143**
- (58) **Field of Classification Search**  
USPC ..... D24/133, 143-144; 606/205-206  
CPC ..... A61B 10/06; A61B 17/29; A61B 17/28;  
A61B 17/282; A61B 17/30; A61B  
2017/2926; A61B 2017/2937; A61B  
2017/2945; A61B 18/1442; A61B  
18/1445  
See application file for complete search history.

- (56) **References Cited**  
U.S. PATENT DOCUMENTS  
3,895,636 A \* 7/1975 Schmidt ..... A61B 10/06  
30/188  
5,052,402 A \* 10/1991 Bencini ..... A61B 10/06  
600/564

- 6,083,150 A \* 7/2000 Aznoian ..... A61B 10/06  
600/564
- 6,740,106 B2 \* 5/2004 Kobayashi ..... A61B 10/06  
606/205
- 6,953,430 B2 \* 10/2005 Kidooka ..... A61B 10/06  
600/104
- D545,432 S \* 6/2007 Watanabe ..... D24/143
- D569,509 S \* 5/2008 Melanson ..... D24/143
- 8,672,859 B2 \* 3/2014 Timberlake ..... A61B 10/06  
600/564
- D753,299 S \* 4/2016 Di Spiezio Sardo ..... D24/143
- 2017/0071585 A1 \* 3/2017 Adkisson ..... A61B 10/06

\* cited by examiner

*Primary Examiner* — Wan Laymon

(74) *Attorney, Agent, or Firm* — Muncy, Geissler, Olds & Lowe, P.C.

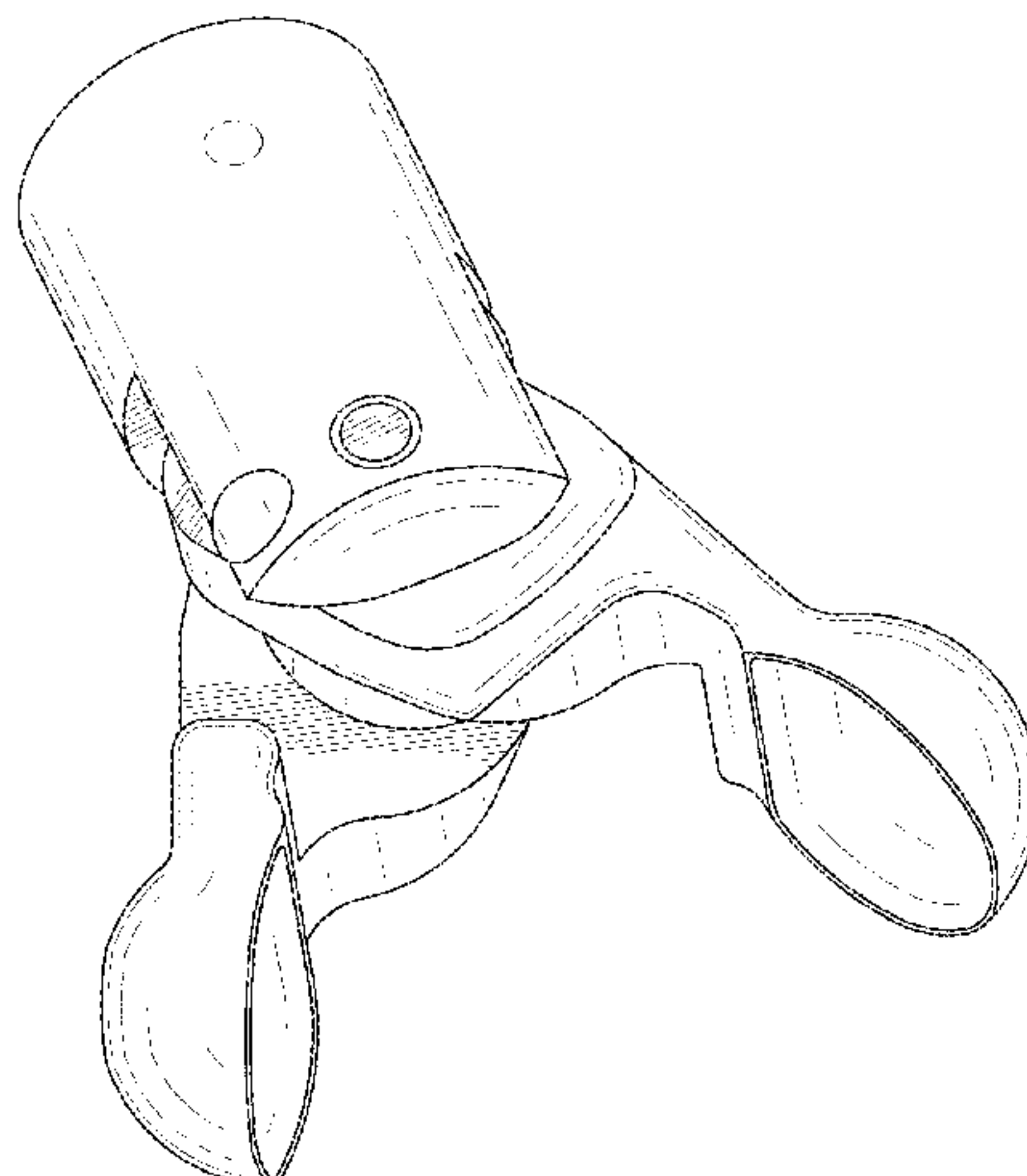
(57) **CLAIM**

The ornamental design for a shaft attachable medical instrument, as shown and described.

**DESCRIPTION**

FIG. 1 is a front perspective view of a shaft attachable medical instrument according to the present invention. FIG. 2 is a front view of the shaft attachable medical instrument of FIG. 1. FIG. 3 is a rear view of the shaft attachable medical instrument of FIG. 1. FIG. 4 is a left side view of the shaft attachable medical instrument of FIG. 1. FIG. 5 is a right side view of the shaft attachable medical instrument of FIG. 1. FIG. 6 is a top view of the shaft attachable medical instrument of FIG. 1; and, FIG. 7 is a bottom view of the shaft attachable medical instrument of FIG. 1. The dashed lines illustrate environment that does not form a part of the present invention, and no claim is made to the material illustrated with dashed lines.

**1 Claim, 7 Drawing Sheets**



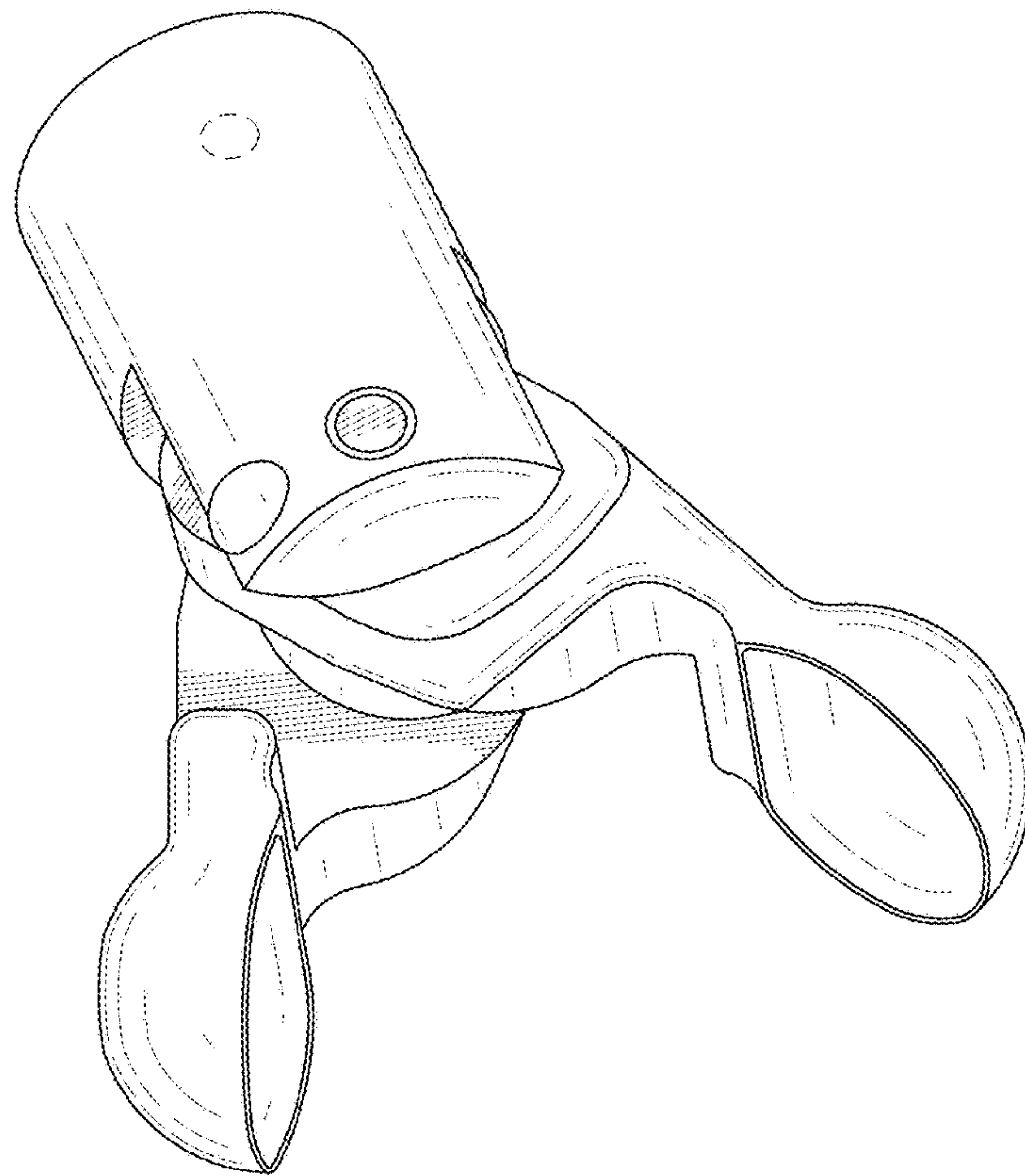


FIG.1

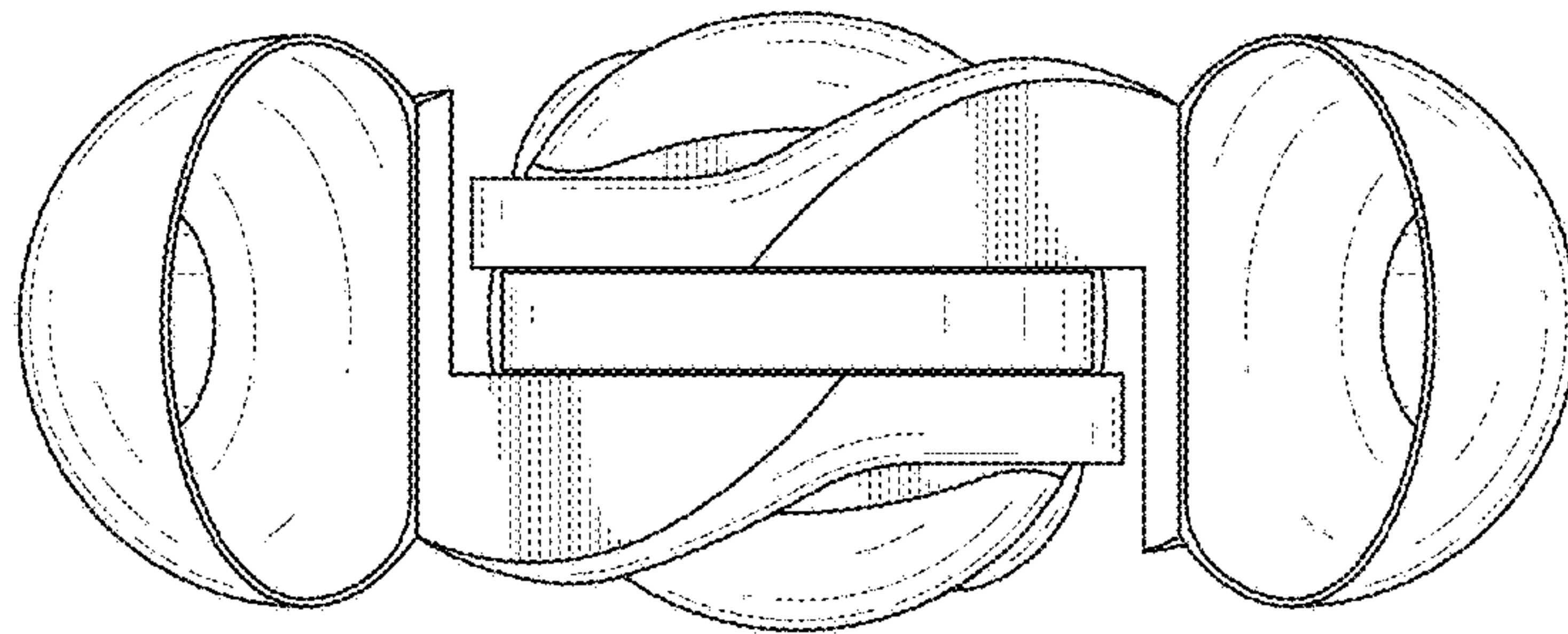


FIG.2

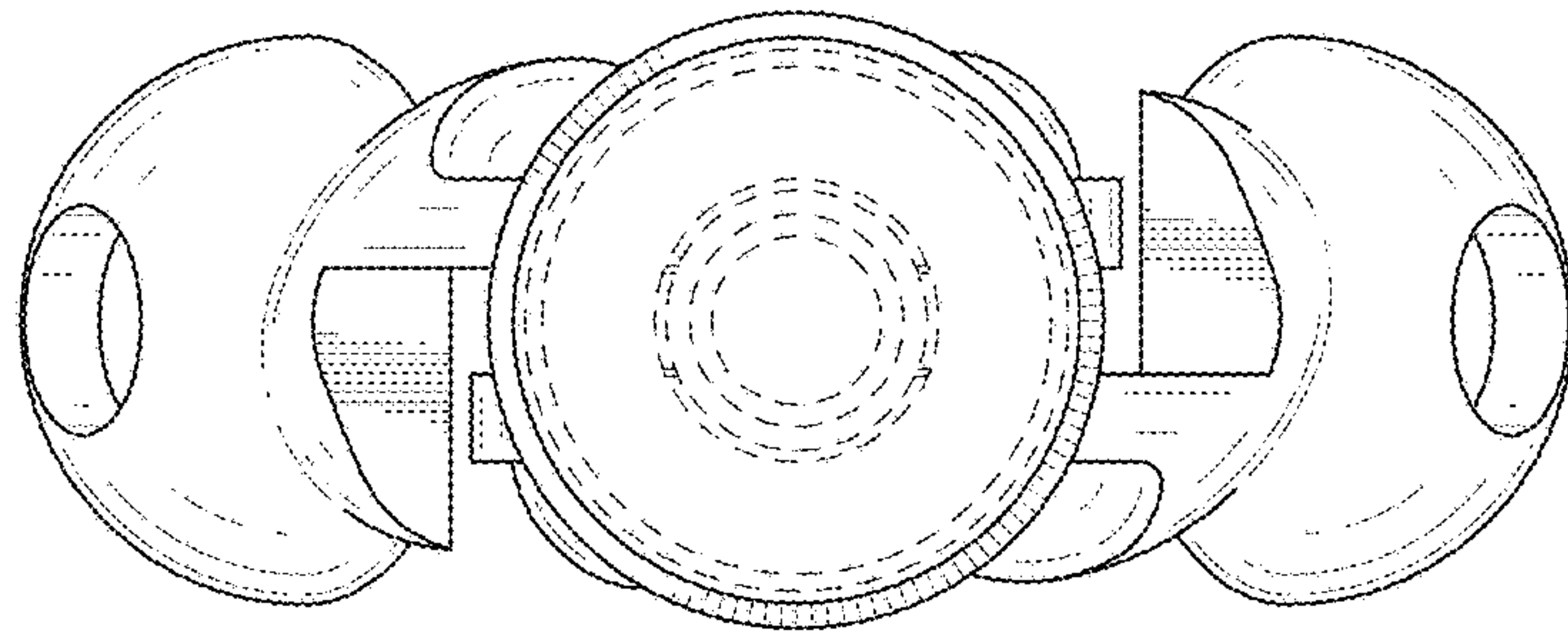


FIG.3

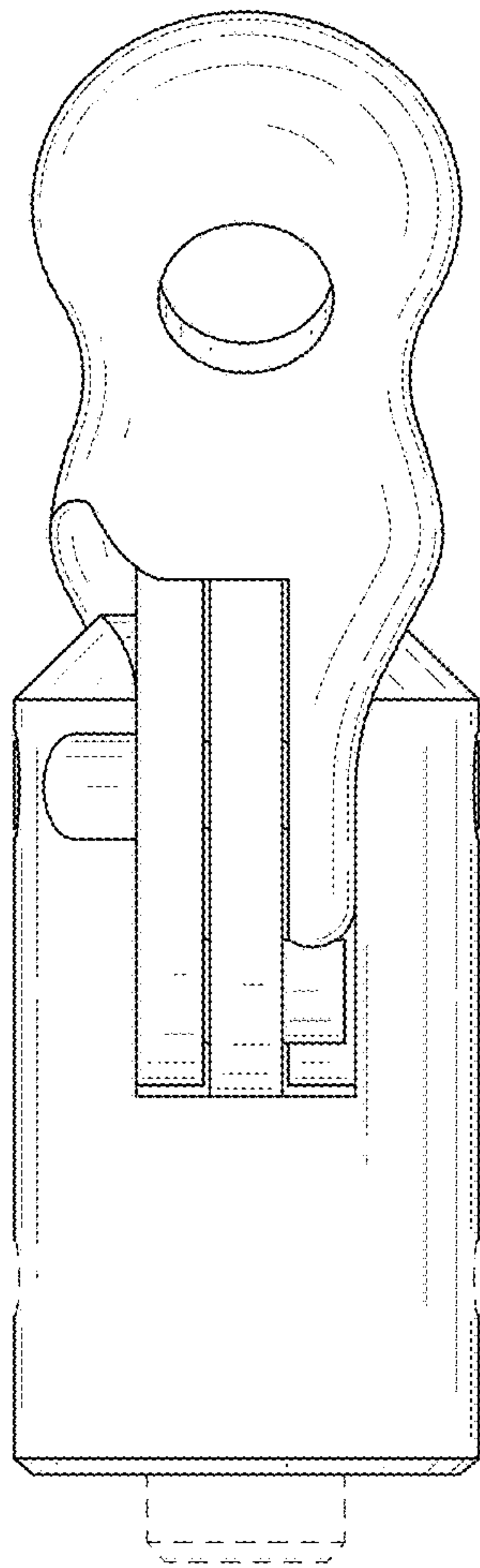


FIG.4

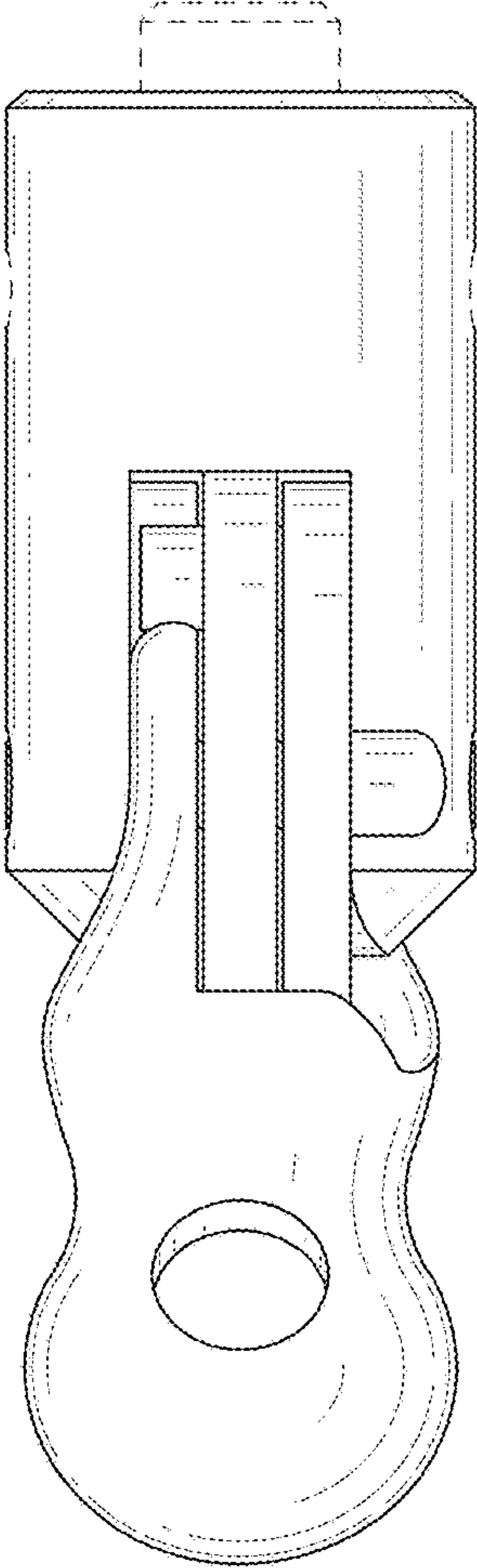


FIG.5

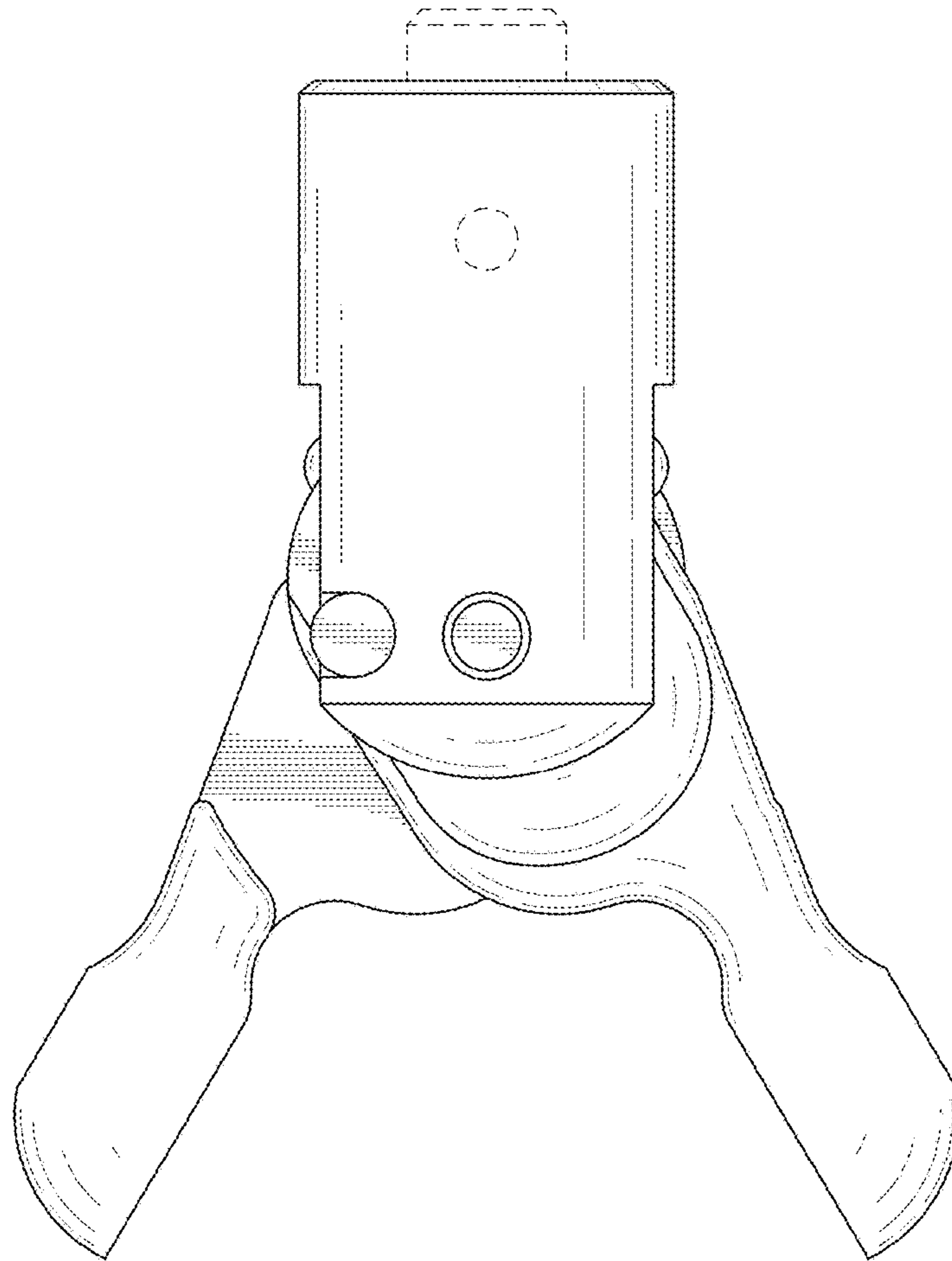


FIG.6



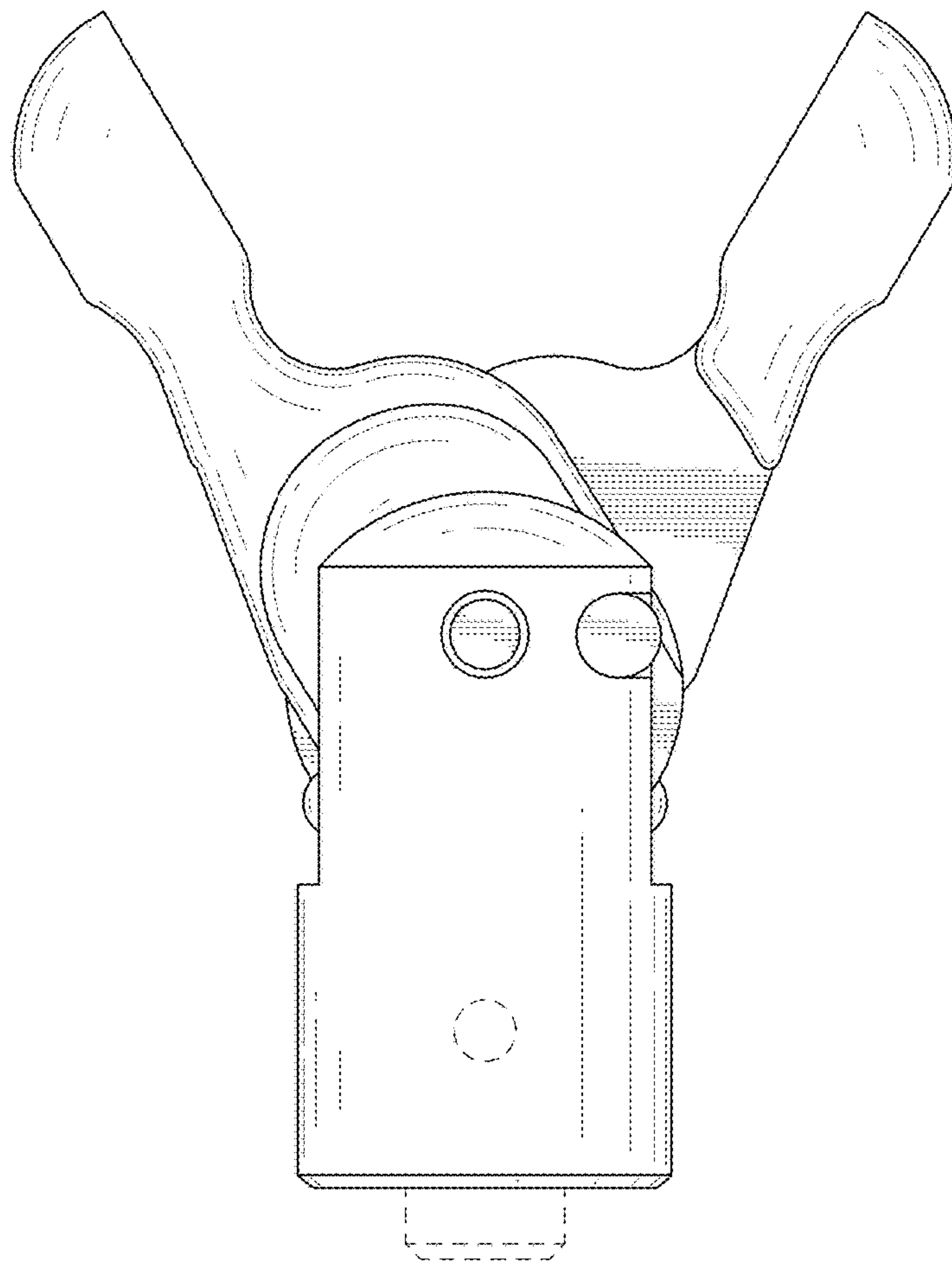


FIG.7