



US00D858764S

(12) **United States Design Patent** (10) **Patent No.:** **US D858,764 S**
Zimmerli et al. (45) **Date of Patent:** **** Sep. 3, 2019**

(54) **VIDEO LARYNGOSCOPE WITH DISPOSABLE BLADE**

(71) Applicant: **KARL STORZ GmbH & Co. KG**, Tuttlingen (DE)

(72) Inventors: **Fabian Zimmerli**, Zurich (CH); **Dieter Huels**, Stockach (DE); **Michael Mueri**, Winterthur (CH); **Juerg Attinger**, Stein am Rhein (CH); **Thomas Breinlinger**, Tuttlingen (DE); **Irina Kolokolov**, Tuttlingen (DE); **Ulrich Merz**, Tuttlingen (DE)

(73) Assignee: **KARL STORZ SE & Co. KG**, Tuttlingen (DE)

(**) Term: **15 Years**

(21) Appl. No.: **29/607,395**

(22) Filed: **Jun. 13, 2017**

(30) **Foreign Application Priority Data**

Dec. 13, 2016 (EM) 003516103-0003

(51) **LOC (12) Cl.** **24-02**

(52) **U.S. Cl.**
USPC **D24/137**

(58) **Field of Classification Search**
USPC D24/137, 138, 135, 133
CPC A61B 1/267; A61B 1/00052; A61B 1/06;
A61B 1/04; A61B 1/2676; B29L
2031/753

See application file for complete search history.

(56) **References Cited**

U.S. PATENT DOCUMENTS

D271,135 S * 10/1983 Greenblatt D24/138
D631,158 S * 1/2011 Doerges D24/137

D664,653 S * 7/2012 Doerges D24/137
D738,501 S * 9/2015 Renner D24/146
D745,669 S * 12/2015 Swift D24/137
D816,837 S * 5/2018 Fuhr D24/137
2017/0258311 A1* 9/2017 Merz A61B 1/00066
2018/0338675 A1* 11/2018 Eggli A61B 1/267

OTHER PUBLICATIONS

U.S. Appl. No. 29/545,156, filed Nov. 10, 2015, Fuhr et al.
U.S. Appl. No. 29/584,259, filed Nov. 14, 2016, Huels et al.

(Continued)

Primary Examiner — Eliza Z Bennett-Hattan

(74) *Attorney, Agent, or Firm* — Muncy, Geissler, Olds & Lowe, P.C.

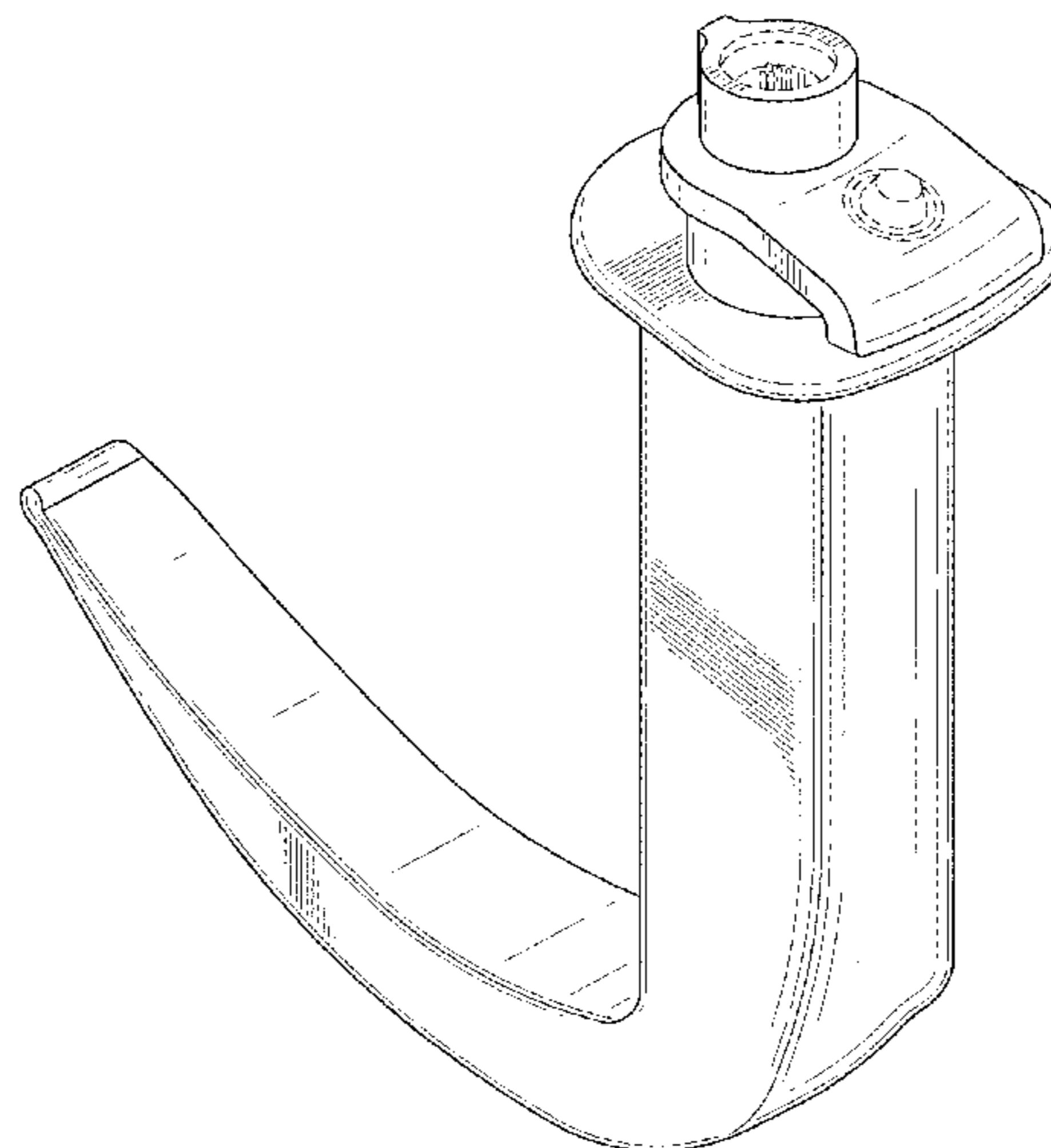
(57) **CLAIM**

The ornamental design for a video laryngoscope with disposable blade, as shown and described.

DESCRIPTION

FIG. 1 is a front perspective view of a video laryngoscope with disposable blade according to the present invention. FIG. 2 is a front view of the video laryngoscope with disposable blade of FIG. 1. FIG. 3 is a rear view of the video laryngoscope with disposable blade of FIG. 1. FIG. 4 is a left side view of the video laryngoscope with disposable blade of FIG. 1. FIG. 5 is a right side view of the video laryngoscope with disposable blade of FIG. 1. FIG. 6 is a top view of the video laryngoscope with disposable blade of FIG. 1; and, FIG. 7 is a bottom view of the video laryngoscope with disposable blade of FIG. 1. The dashed lines illustrate environment that does not form a part of the present invention, and no claim is made to the material illustrated with dashed lines.

1 Claim, 7 Drawing Sheets



(56)

References Cited

OTHER PUBLICATIONS

U.S. Appl. No. 29/584,260, filed Nov. 14, 2016, Huels et al.
U.S. Appl. No. 29/584,265, filed Nov. 14, 2016, Huels et al.
U.S. Appl. No. 29/584,267, filed Nov. 14, 2016, Huels et al.
U.S. Appl. No. 29/584,298, filed Nov. 14, 2016, Huels et al.

* cited by examiner

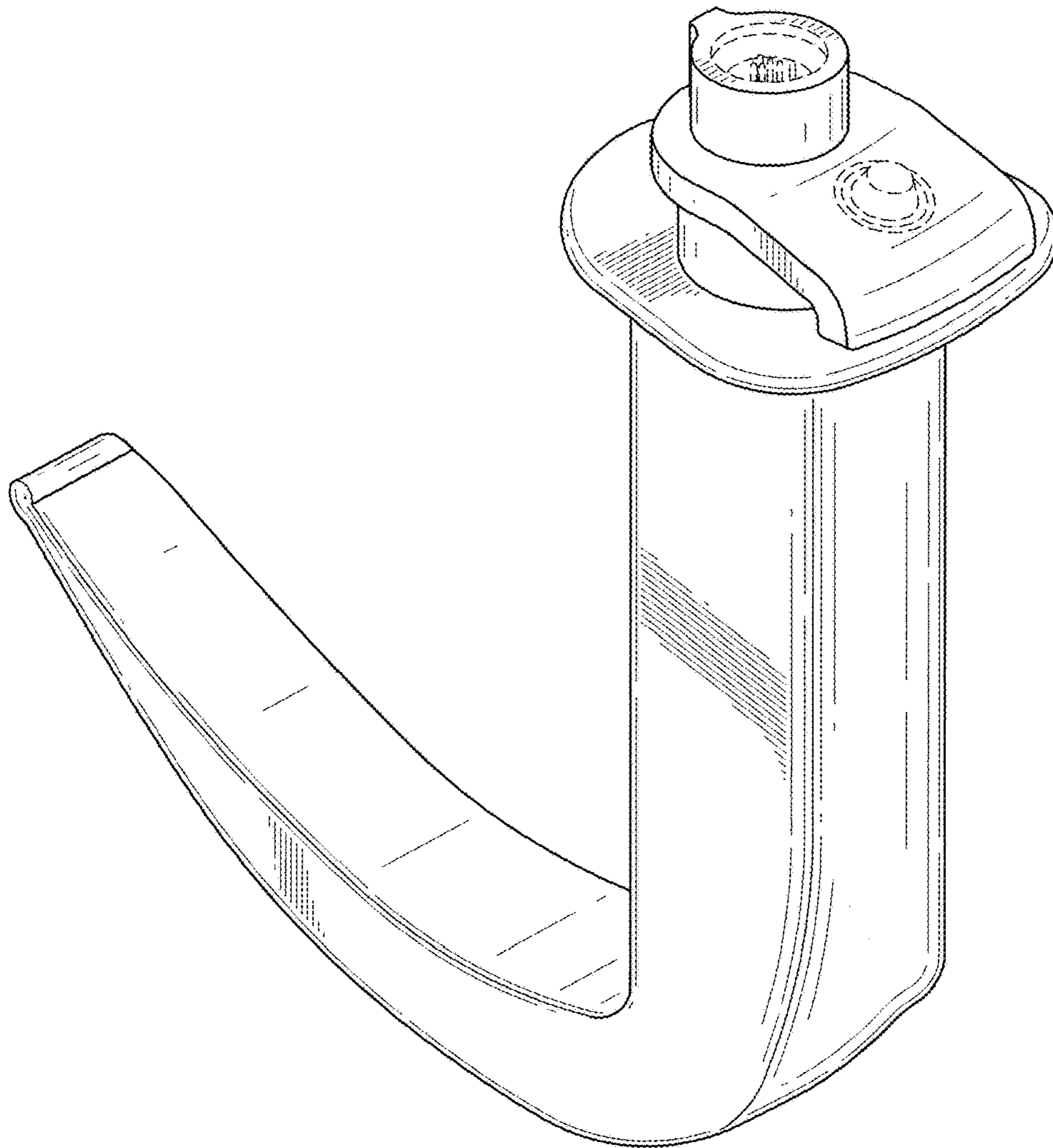


FIG. 1

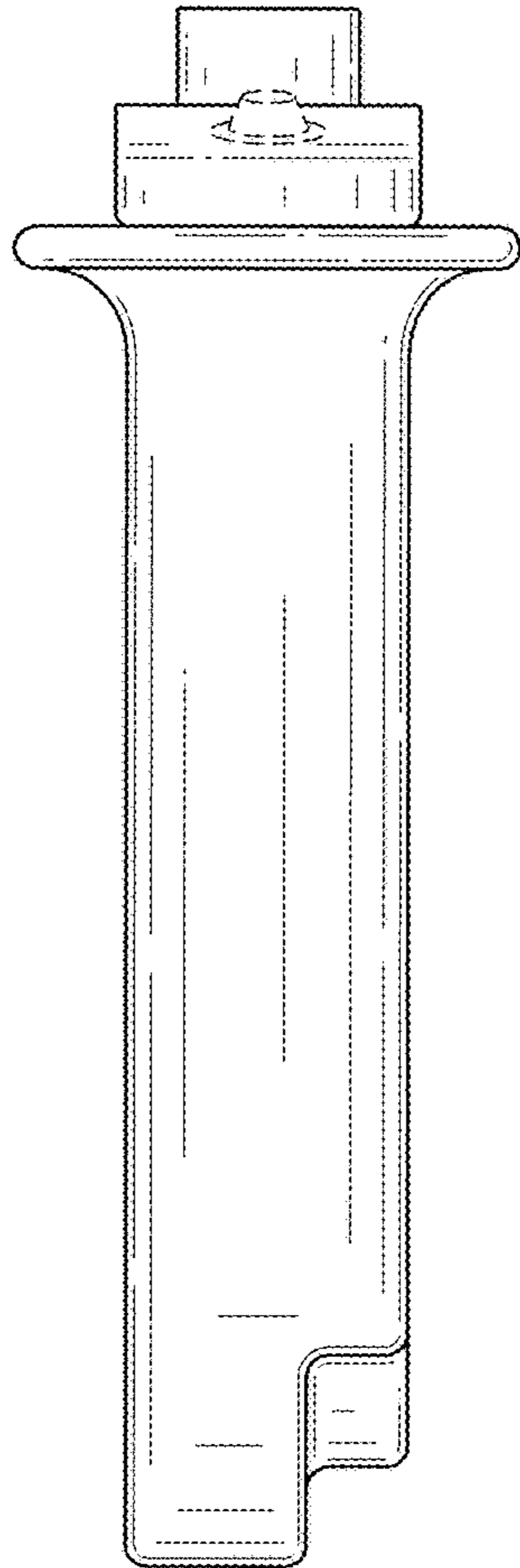


FIG.2

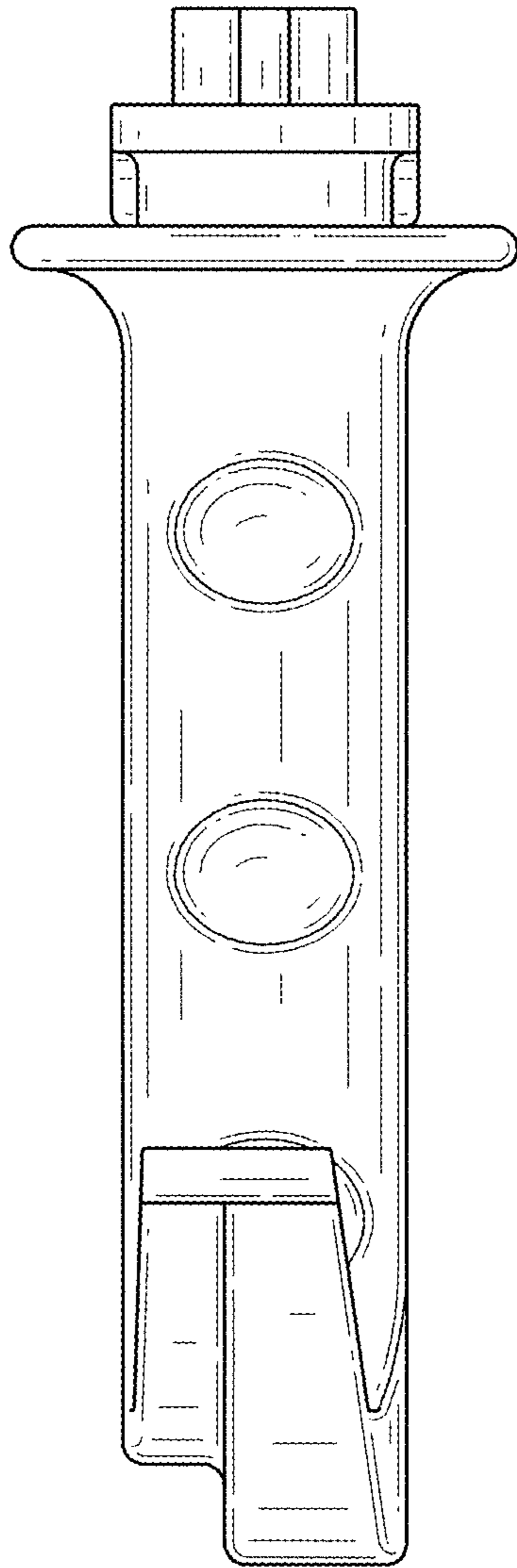


FIG.3

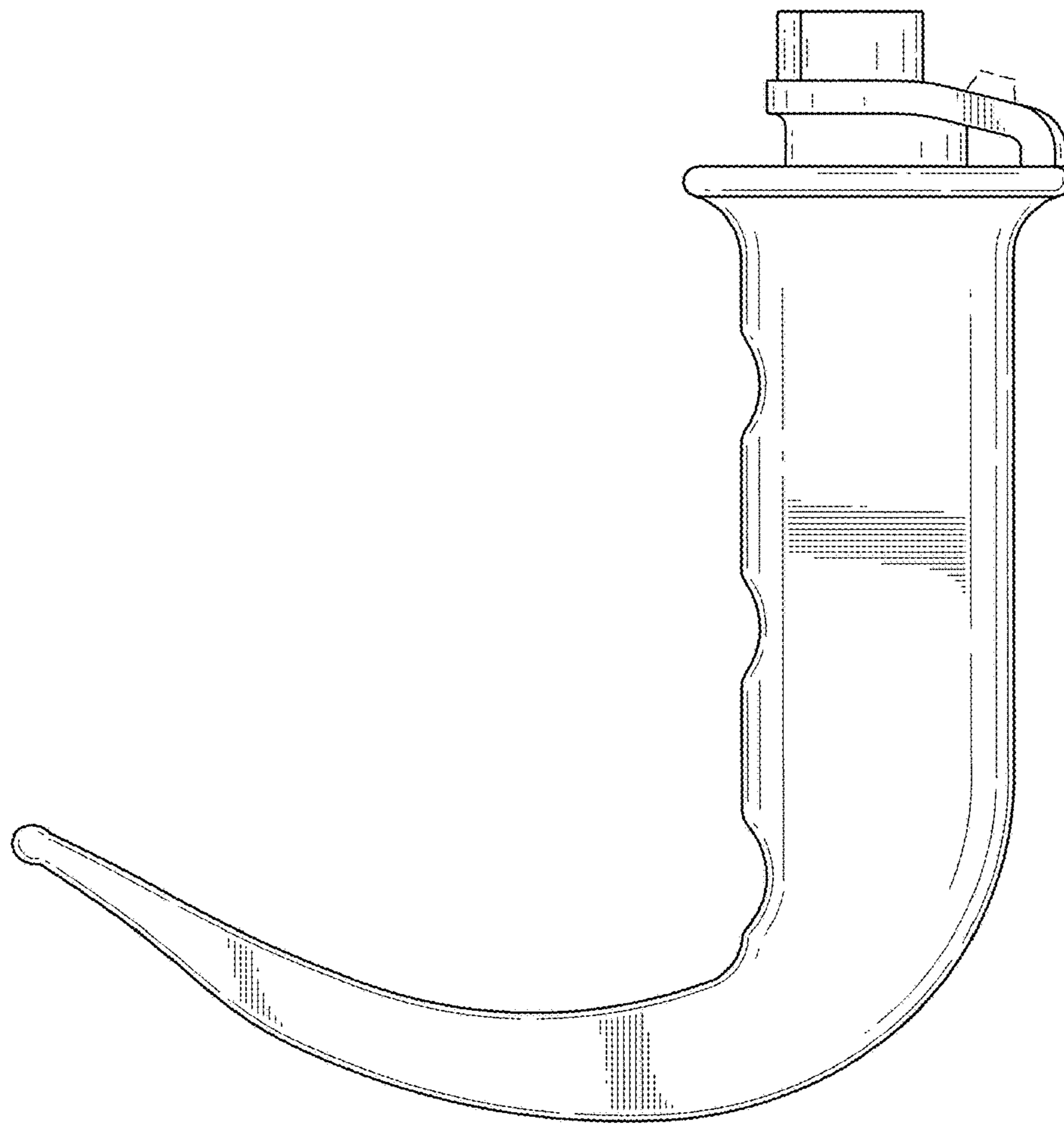


FIG. 4

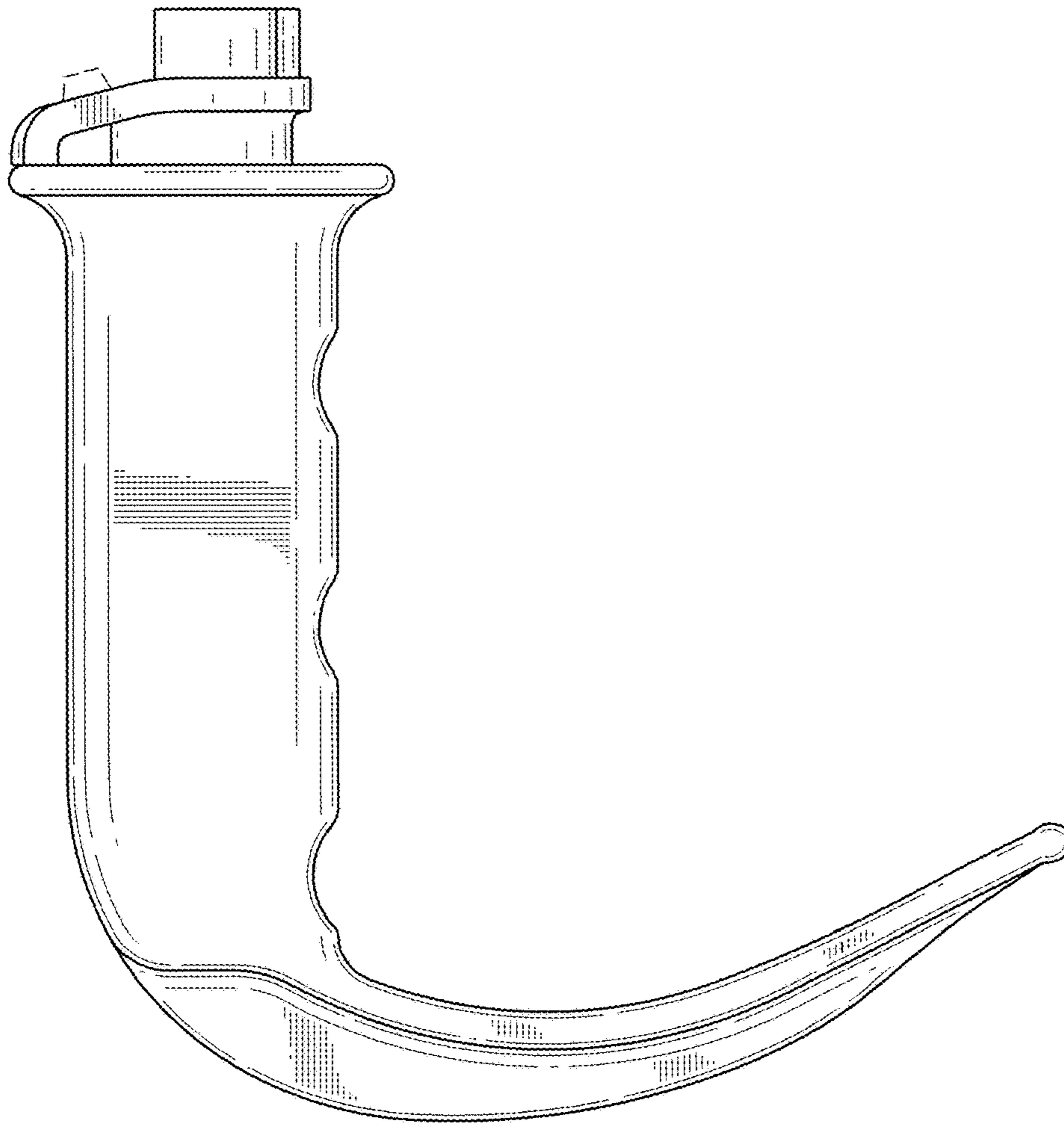


FIG.5

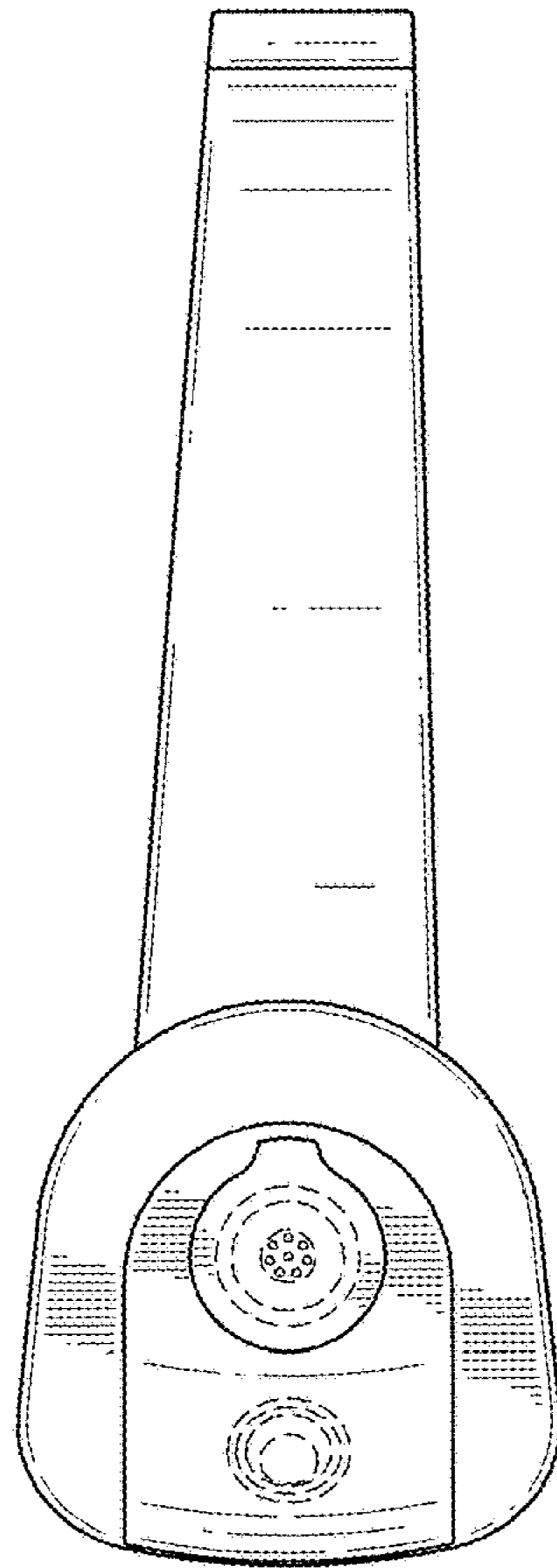


FIG.6

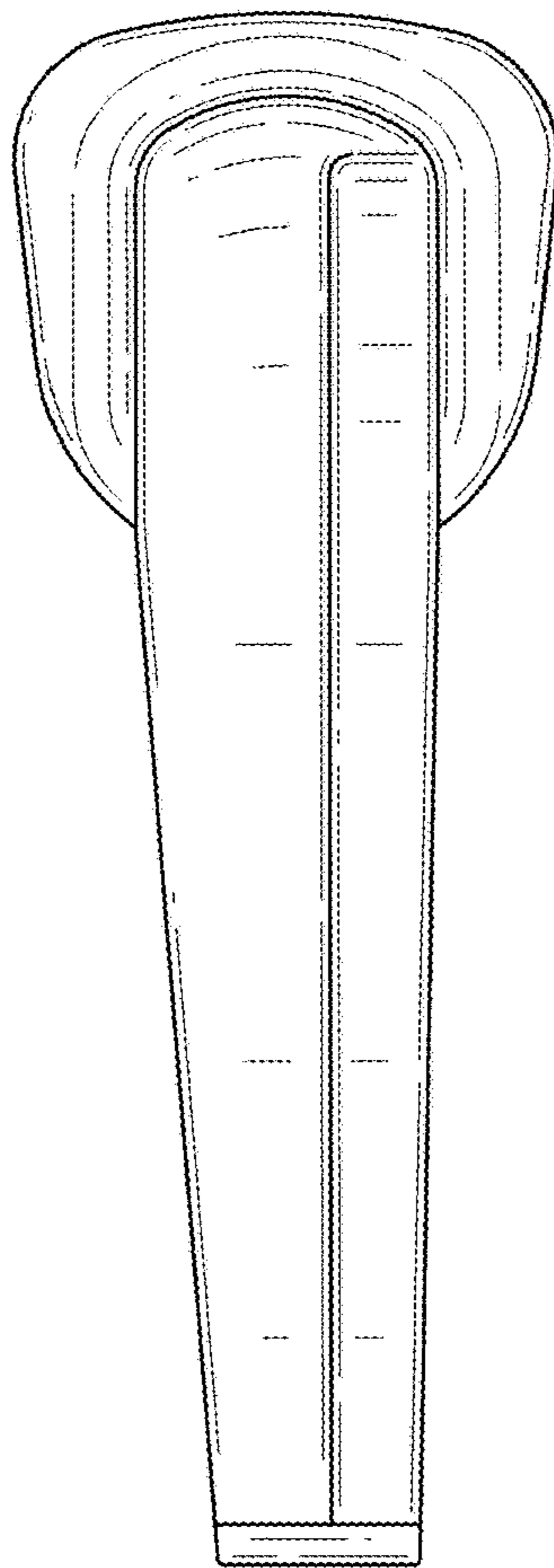


FIG.7