



US00D858763S

(12) **United States Design Patent** (10) **Patent No.:** **US D858,763 S**
Zimmerli et al. (45) **Date of Patent:** **** Sep. 3, 2019**

(54) **VIDEO LARYNGOSCOPE**
(71) Applicant: **KARL STORZ GmbH & Co. KG**,
Tuttlingen (DE)
(72) Inventors: **Fabian Zimmerli**, Zurich (CH); **Dieter Huels**, Stockach (DE); **Christian Huber**, Schaffhausen (CH); **Juerg Attinger**, Stein am Rhein (CH); **Thomas Breinlinger**, Tuttlingen (DE); **Irina Kolokolov**, Tuttlingen (DE); **Ulrich Merz**, Tuttlingen (DE)

D481,125 S * 10/2003 Hayamizu D24/129
D534,655 S * 1/2007 Iranyi D24/138
D708,327 S * 7/2014 Wang D24/137
D738,501 S 9/2015 Renner
D739,017 S 9/2015 Renner
D790,697 S * 6/2017 Bresco Torras D24/138
D795,424 S * 8/2017 Sloss D24/138
D841,160 S * 2/2019 Cranfield D24/138
D844,137 S * 3/2019 Sun D24/138

(Continued)

Primary Examiner — Eliza Z Bennett-Hattan
(74) *Attorney, Agent, or Firm* — Muncy, Geissler, Olds & Lowe, P.C.

(73) Assignee: **KARL STORZ GmbH & Co. KG**,
Tuttlingen (DE)

(57) **CLAIM**

(**) Term: **15 Years**

The ornamental design for a video laryngoscope, as shown and described.

(21) Appl. No.: **29/607,394**

DESCRIPTION

(22) Filed: **Jun. 13, 2017**

(30) **Foreign Application Priority Data**

Dec. 13, 2016 (EM) 003516095-0009

(51) **LOC (12) Cl.** **24-02**

(52) **U.S. Cl.**
USPC **D24/137**

(58) **Field of Classification Search**
USPC D24/137, 138, 135, 133
CPC A61B 1/267; A61B 1/00052; A61B 1/06;
A61B 1/04; A61B 1/2676; B29L
2031/753
See application file for complete search history.

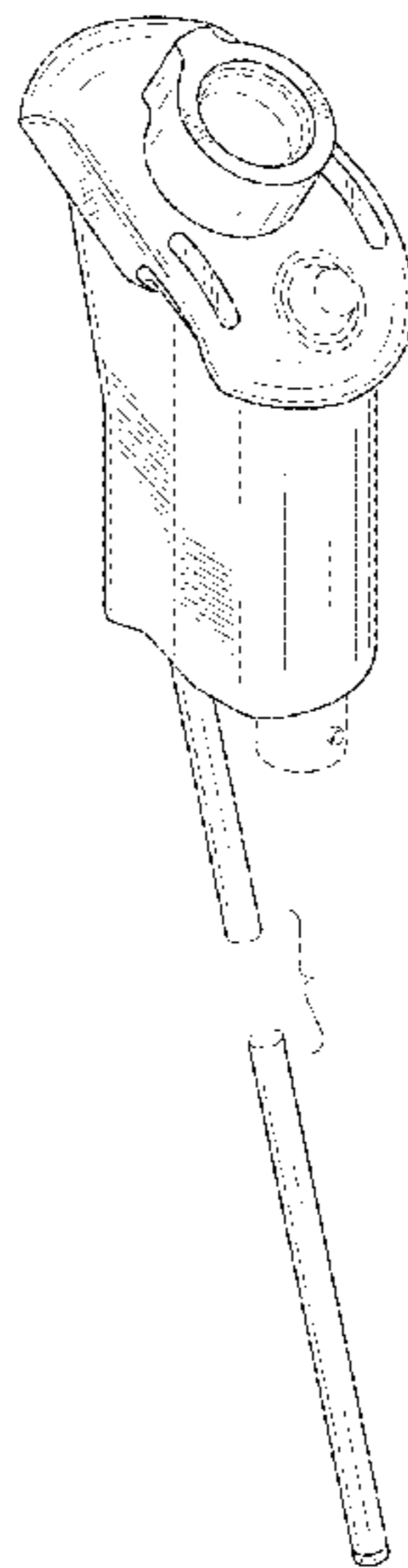
FIG. 1 is a front perspective view of a video laryngoscope according to the present invention.
FIG. 2 is a front view of the video laryngoscope of FIG. 1.
FIG. 3 is a rear view of the video laryngoscope of FIG. 1.
FIG. 4 is a left side view of the video laryngoscope of FIG. 1.
FIG. 5 is a right side view of the video laryngoscope of FIG. 1.
FIG. 6 is a top view of the video laryngoscope of FIG. 1.
FIG. 7 is a bottom view of the video laryngoscope of FIG. 1; and,
FIG. 8 is a right side perspective view of the video laryngoscope of FIG. 1.
The dashed lines illustrate environment that does not form a part of the present invention and no claim is made to the material illustrated with dashed lines.
The video laryngoscope is shown with a symbolic break in its length. The appearance of any portion of the article between the break lines forms no part of the claimed design.

(56) **References Cited**

U.S. PATENT DOCUMENTS

D272,849 S * 2/1984 Bel D24/112
D420,131 S * 2/2000 Renner D24/138
D463,553 S * 9/2002 Topala D24/138

1 Claim, 8 Drawing Sheets



(56)

References Cited

U.S. PATENT DOCUMENTS

2013/0317300 A1* 11/2013 Berci A61B 1/0005
600/188
2014/0107422 A1* 4/2014 Huels A61B 1/00105
600/188

* cited by examiner

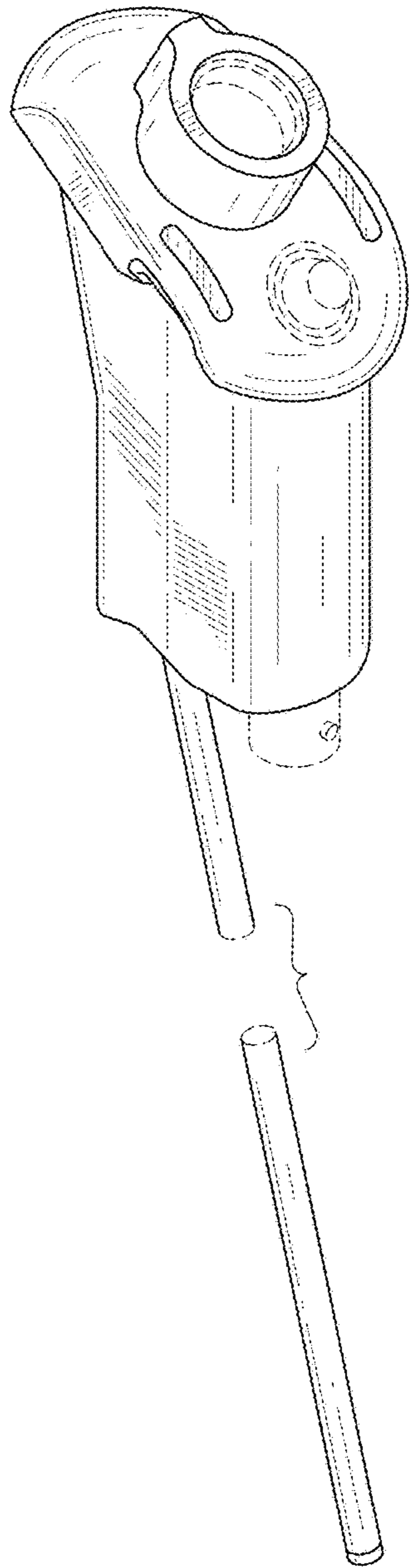


FIG.1

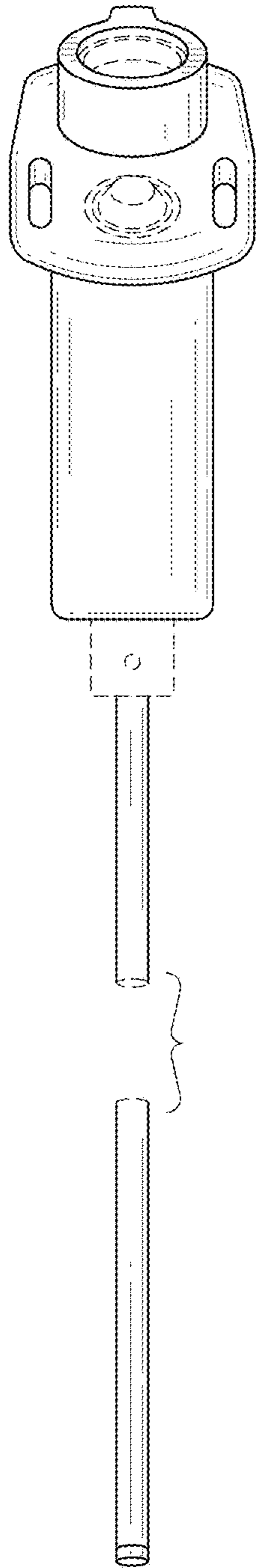


FIG.2

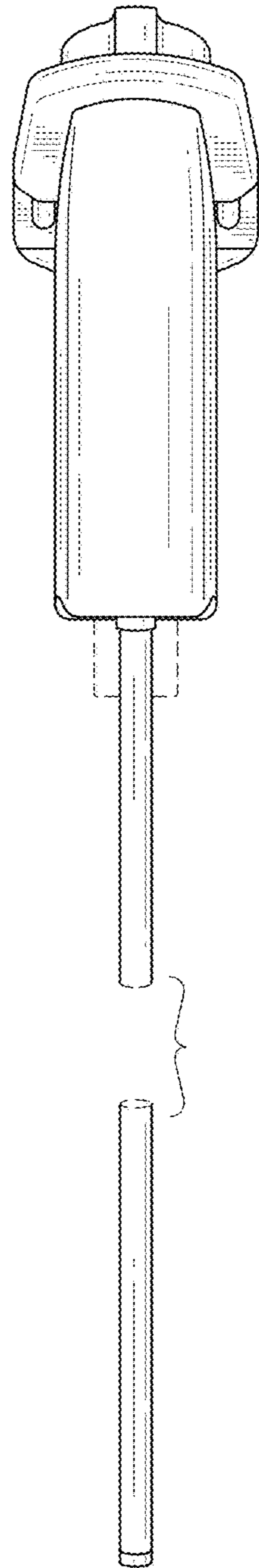


FIG.3

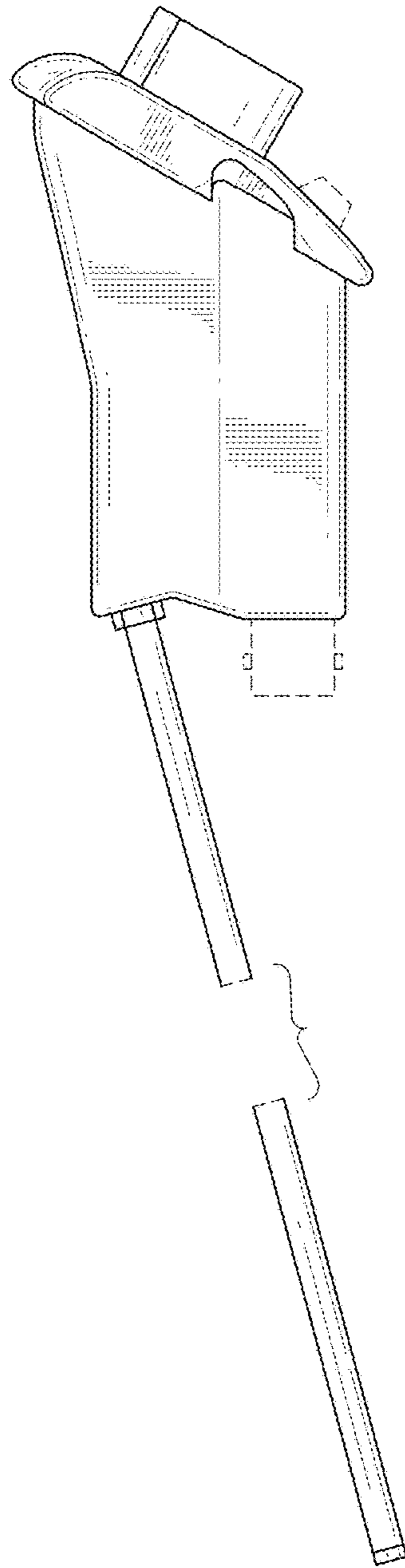


FIG.4

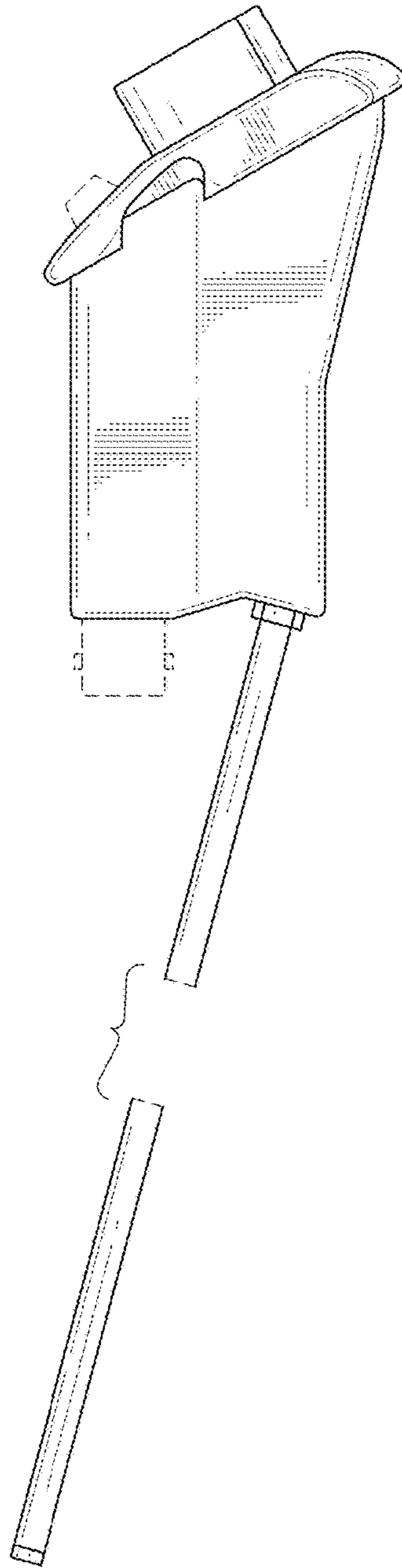


FIG.5

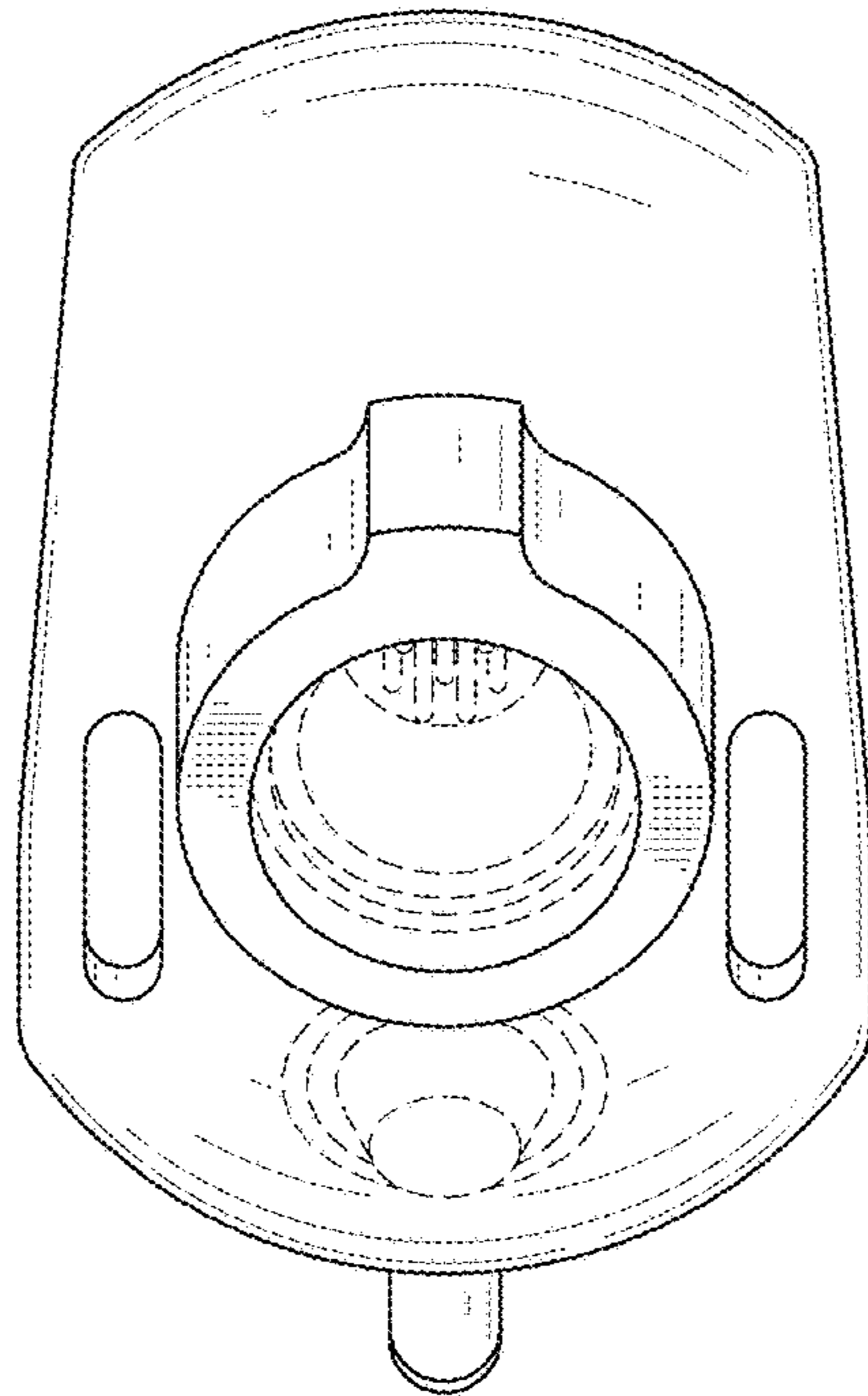


FIG.6

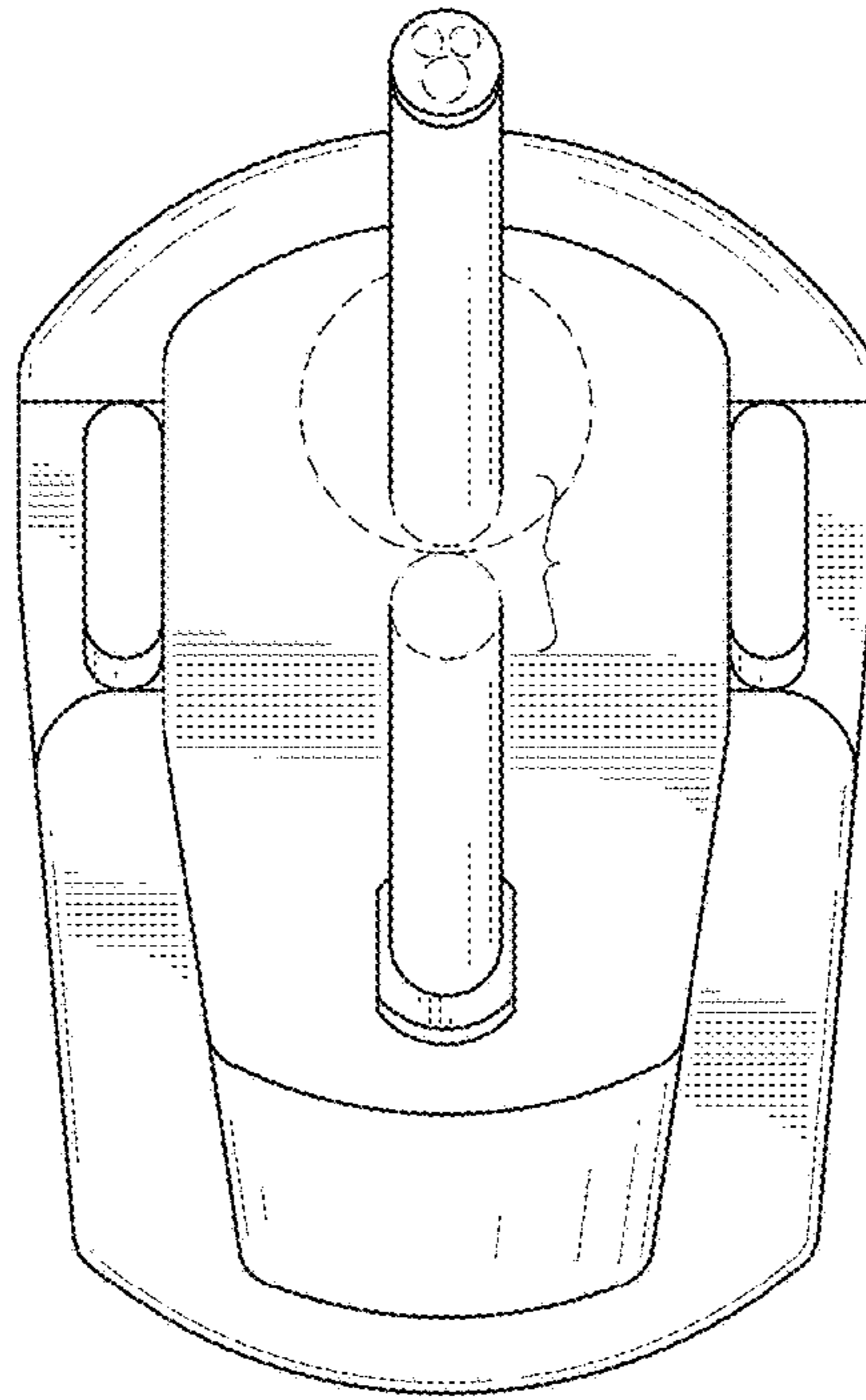


FIG.7

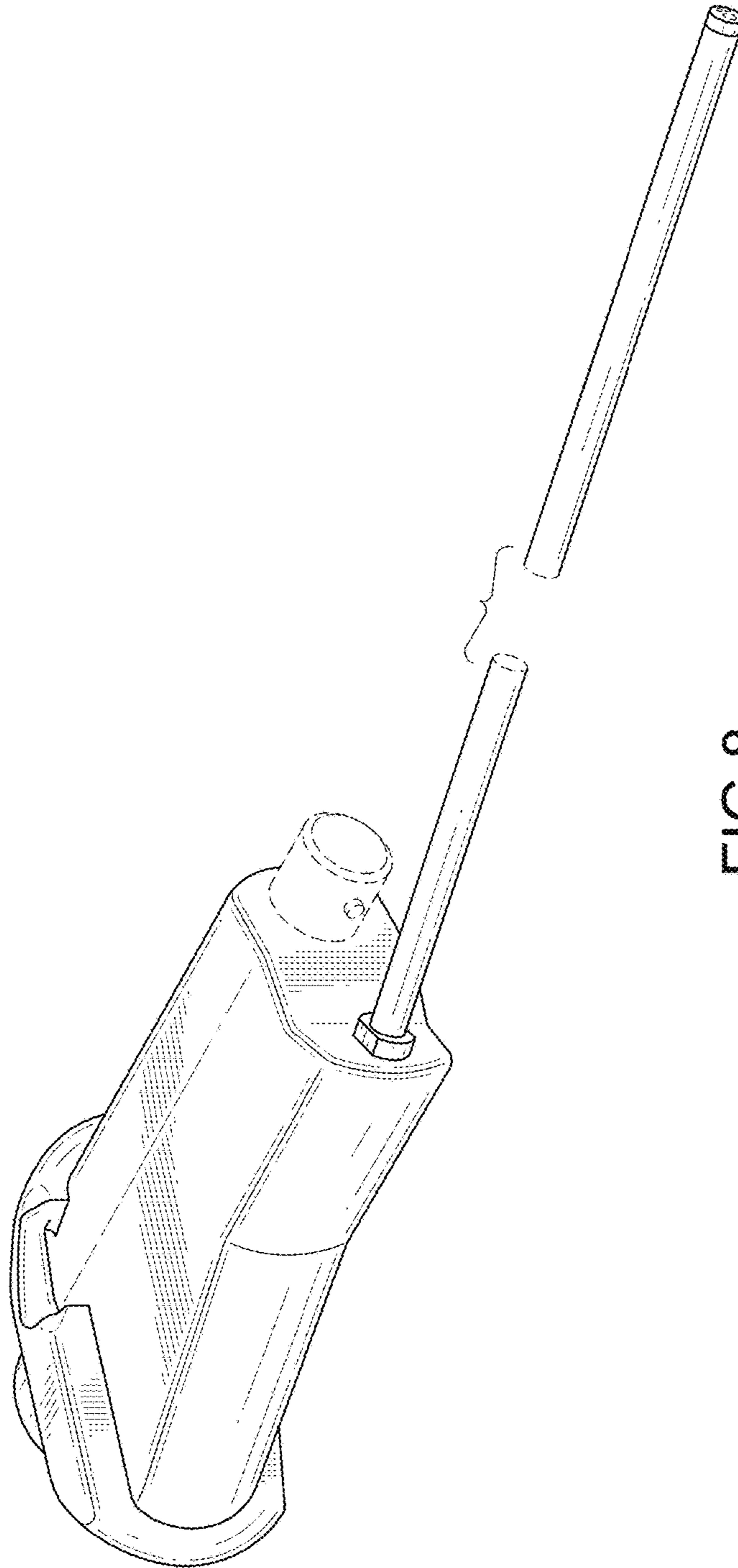


FIG.8