



US00D858759S

(12) **United States Design Patent** (10) **Patent No.:** **US D858,759 S**
Bedingham et al. (45) **Date of Patent:** **** Sep. 3, 2019**

(54) **STETHOSCOPE CHESTPIECE** D487,928 S * 3/2004 Drummond D24/134
D682,424 S * 5/2013 Hasbun A61B 9/00
D24/134
(71) Applicant: **3M INNOVATIVE PROPERTIES** D750,241 S 2/2016 Shan
COMPANY, St. Paul, MN (US) D752,216 S * 3/2016 Chong D24/134
(72) Inventors: **William Bedingham**, Woodbury, MN 2008/0137876 A1 6/2008 Kassal
(US); **Daniel J. Rogers**, Grant, MN 2008/0232604 A1 9/2008 Dufresne
(US); **Tyler J. Sandback**, Prior Lake, 2008/0232605 A1 9/2008 Bagha
MN (US) 2014/0254814 A1 9/2014 Van Alstine

(73) Assignee: **3M INNOVATIVE PROPERTIES**
COMPANY, Saint Paul, MN (US)

(**) Term: **15 Years**

(21) Appl. No.: **29/618,166**

(22) Filed: **Sep. 19, 2017**

(51) **LOC (12) Cl.** **24-02**

(52) **U.S. Cl.**
USPC **D24/134**

(58) **Field of Classification Search**
USPC D24/134
CPC A61B 7/02; A61B 7/04; A61B 7/00; A61B
7/003; A61B 5/024; A61B 5/08; A61B
5/0816; A61B 8/0883
See application file for complete search history.

(56) **References Cited**

U.S. PATENT DOCUMENTS

D256,951 S	9/1980	Allen	
D277,890 S	3/1985	Loughridge et al.	
D323,394 S	1/1992	Casto et al.	
D337,381 S	7/1993	Dufresne et al.	
D338,269 S	8/1993	Dufresne et al.	
D373,824 S	9/1996	Packard et al.	
D379,512 S	5/1997	Dieken et al.	
5,663,532 A	9/1997	Dieken	
D403,065 S	12/1998	Dieken et al.	
D410,285 S	5/1999	Packard et al.	
D432,238 S *	10/2000	Packard D24/134

FOREIGN PATENT DOCUMENTS

CA	2061491	8/1992
CN	3510339	3/2006
CN	3584903	11/2006
CN	300901549	4/2009
CN	301162863	3/2010
CN	301247780	6/2010

(Continued)

Primary Examiner — Eliza Z Bennett-Hattan
(74) *Attorney, Agent, or Firm* — 3M Innovative
Properties Company; Jonathan V. Sry

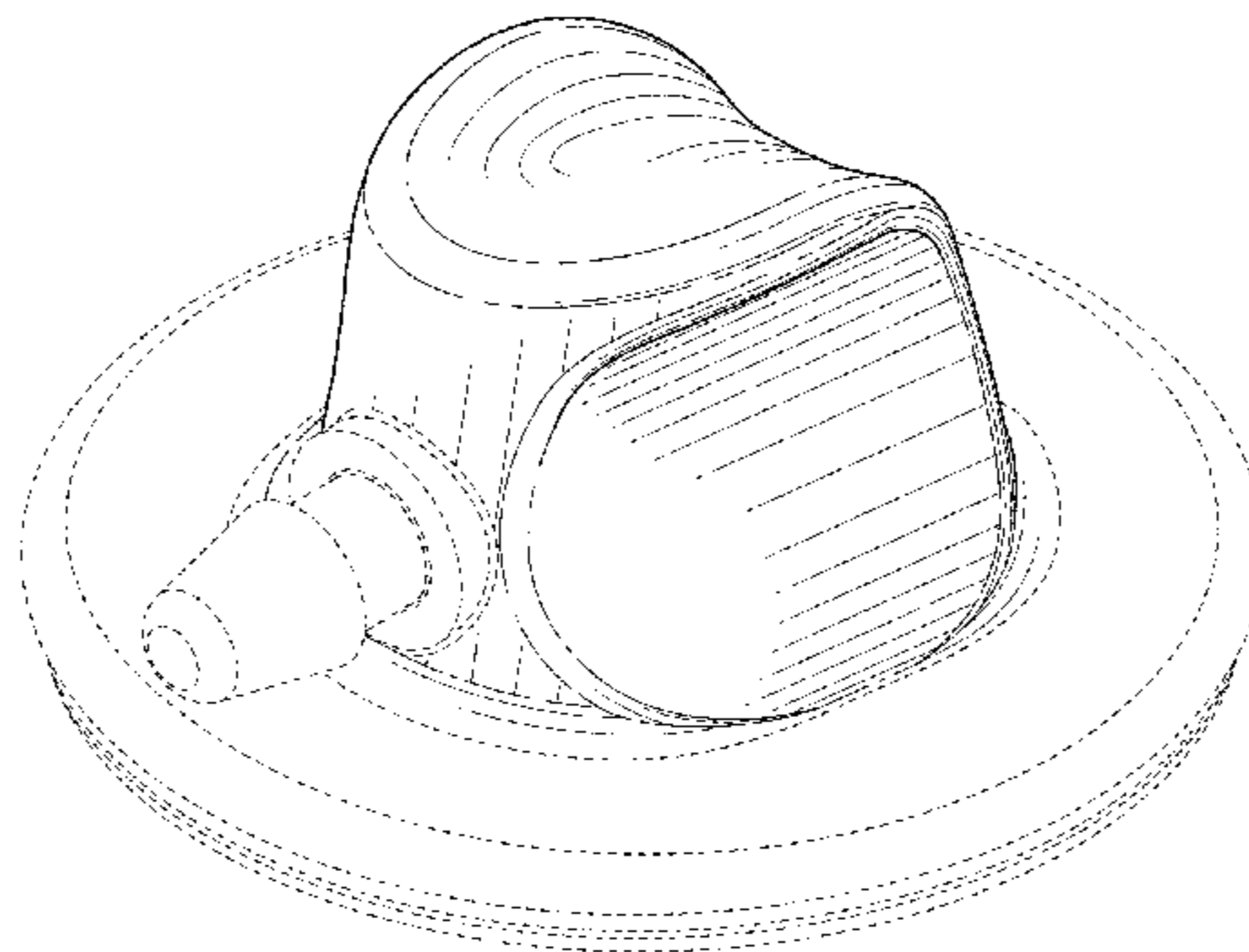
(57) **CLAIM**

The ornamental design for a stethoscope chestpiece, as shown and described.

DESCRIPTION

FIG. 1 is a perspective view showing the new design of a stethoscope chestpiece;
FIG. 2 is a back view thereof;
FIG. 3 is a front view thereof;
FIG. 4 is a right side view thereof;
FIG. 5 is a left side view thereof;
FIG. 6 is a top view thereof; and,
FIG. 7 is a bottom view thereof.
The portions of the stethoscope chestpiece in FIGS. 1-7 shown in dashed broken lines are included to show features that form no part of the claimed design.

1 Claim, 5 Drawing Sheets



(56)

References Cited

FOREIGN PATENT DOCUMENTS

CN	301796333	1/2012
CN	301942067	5/2012
CN	302945032	9/2014
CN	304062471	3/2017
CN	304119155	4/2017
DE	4029122	3/1992
DE	M9105644-0001	3/1992
DE	M9105644-0002	3/1992
DE	M9105644-0003	3/1992
DE	M9500776-0001	7/1995
DE	M9500776-0002	7/1995
EM	002518068-0001	8/2014
EM	002953497-0001	3/2016
EM	003790393-0001	6/2017
GB	729277	5/1955
JP	0886995	12/1993
JP	0886995-1	1/1994
JP	886995-2	1/1994
WO	WO D019101-002	5/1991
WO	WO D019101-003	5/1991
WO	WO D019101-004	5/1995
WO	WO D019101-007	5/1995
WO	WO D019101-008	5/1995
WO	WO 1997-19639	6/1997
WO	WO 1997-19640	6/1997
WO	WO 1998-51221	11/1998
WO	WO 2007-047929	4/2007

* cited by examiner

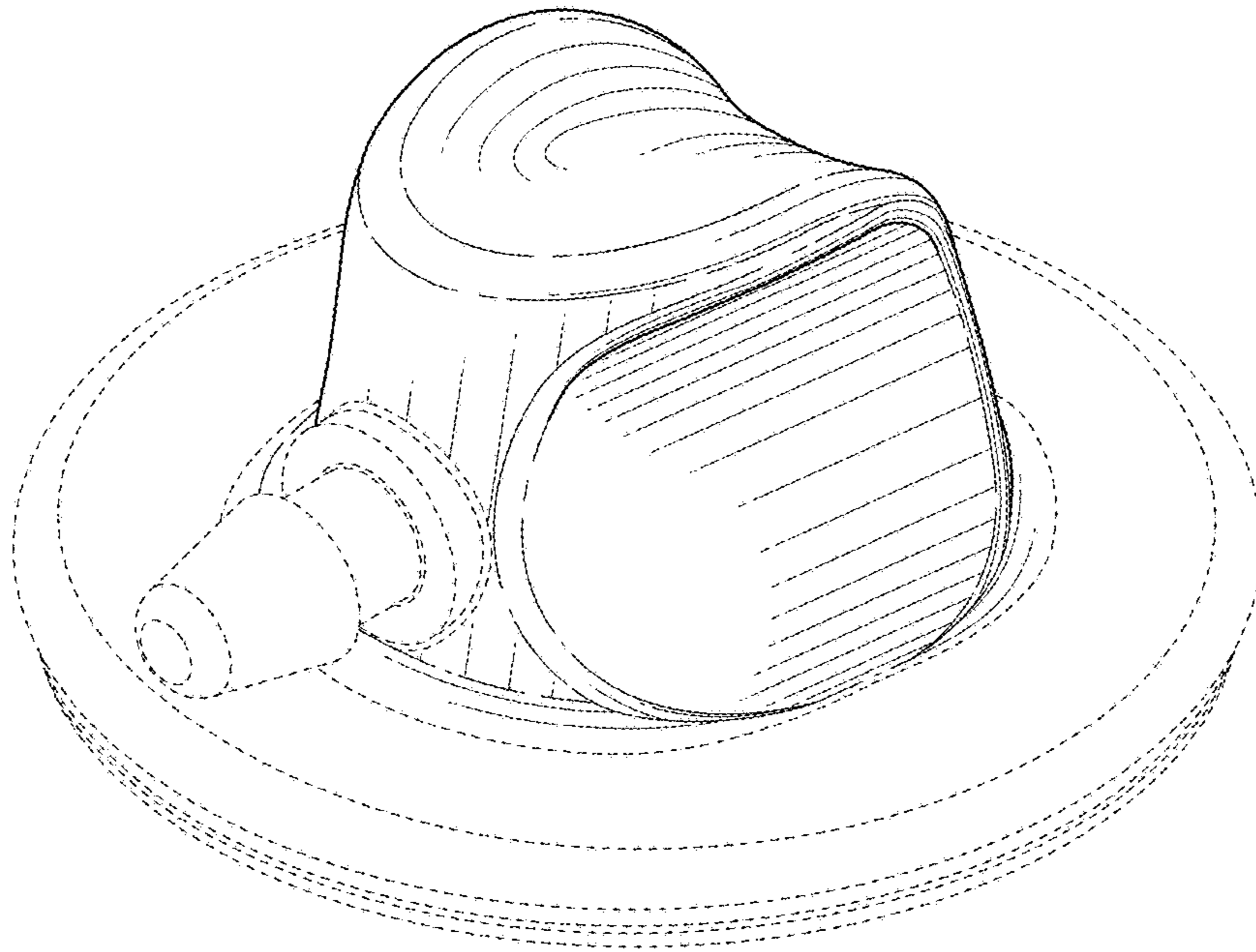


FIG. 1

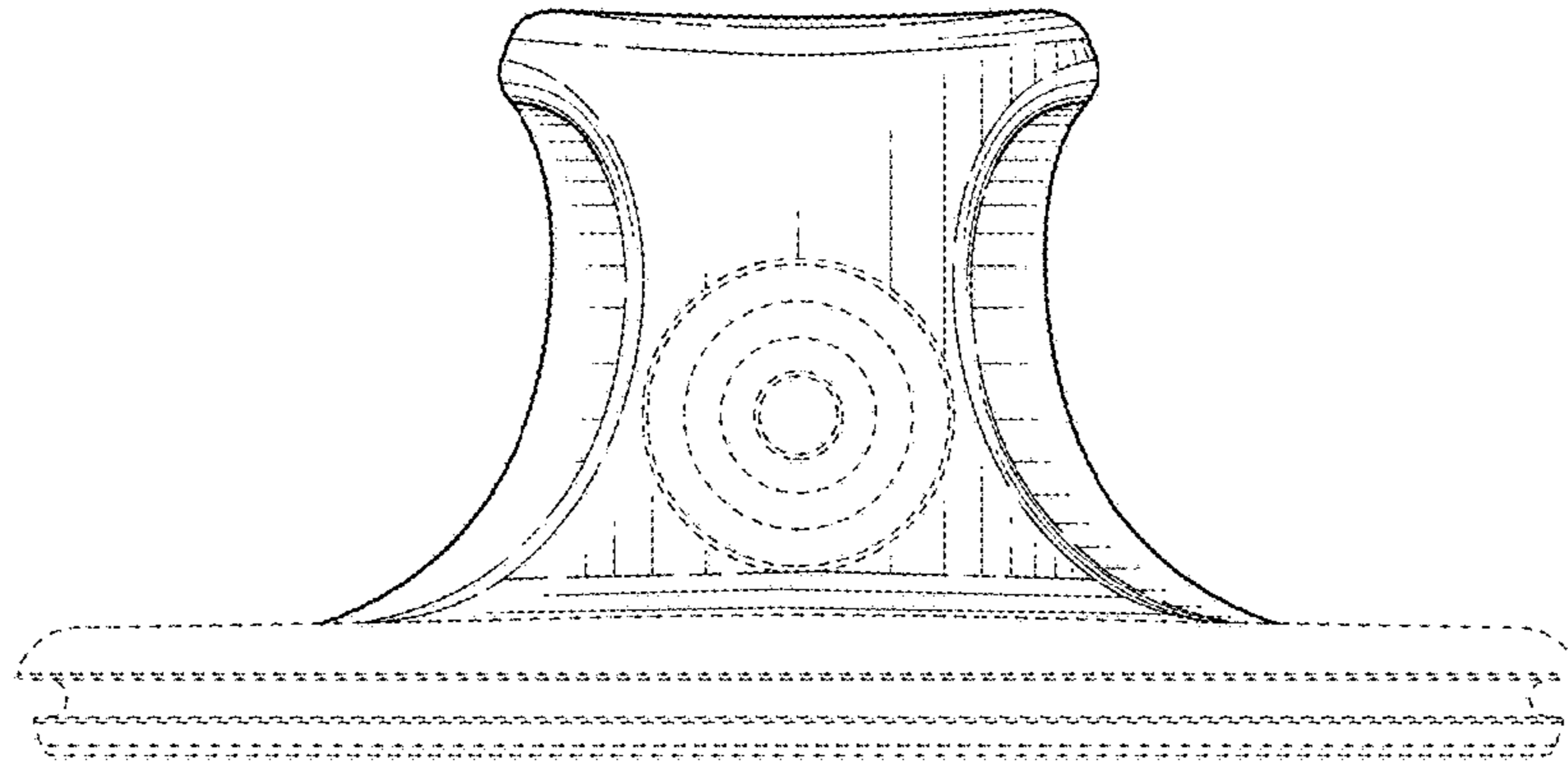


FIG. 2

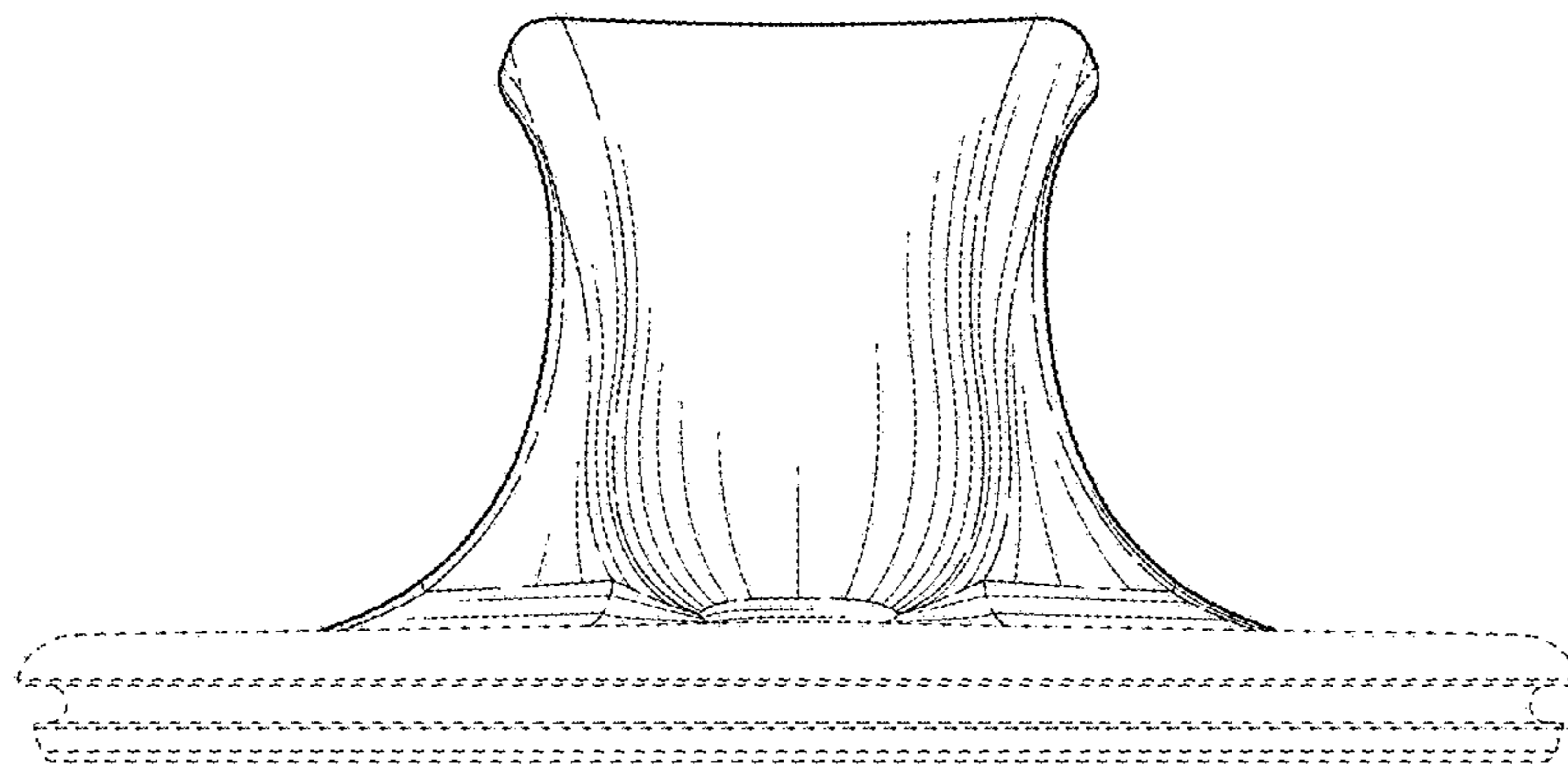


FIG. 3

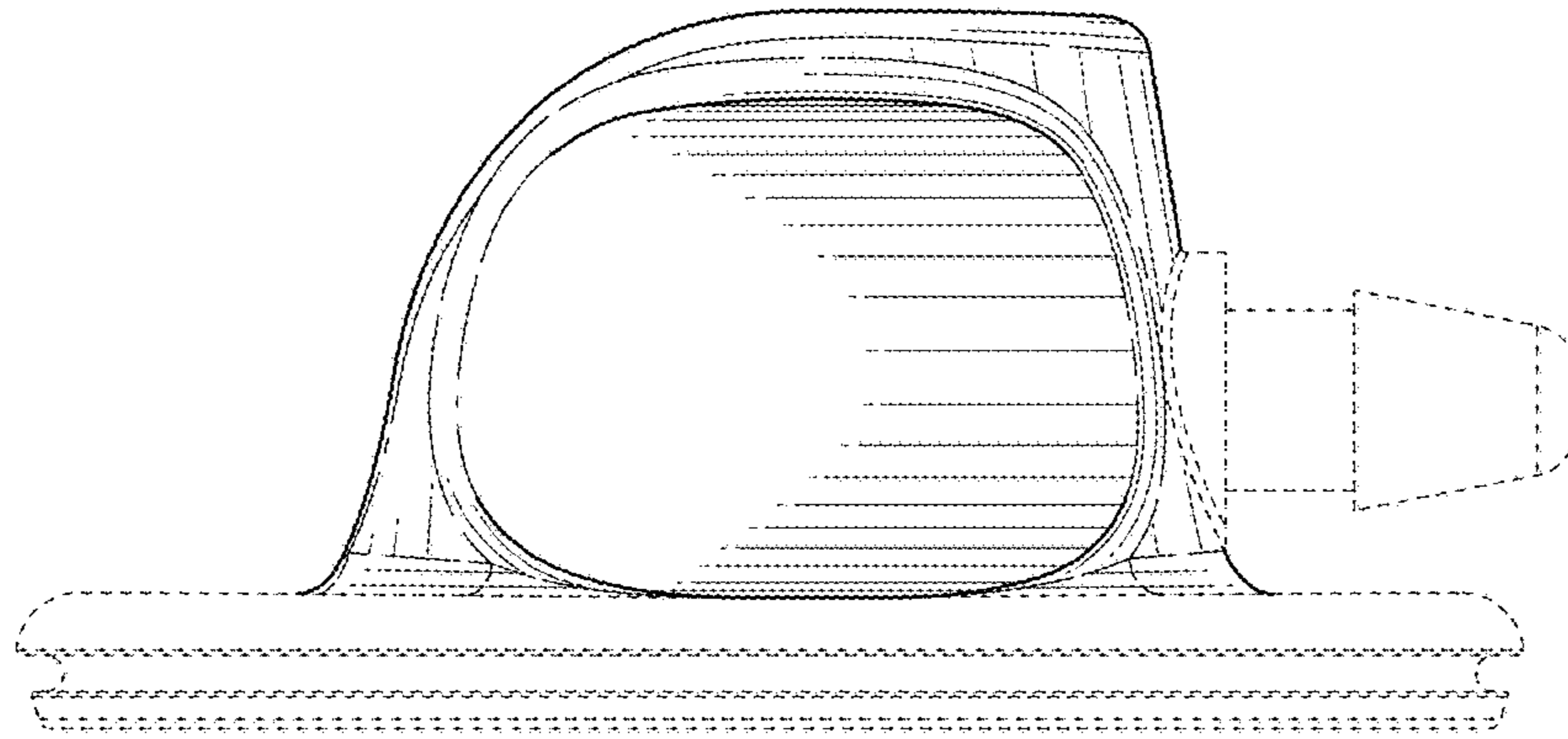


FIG. 4

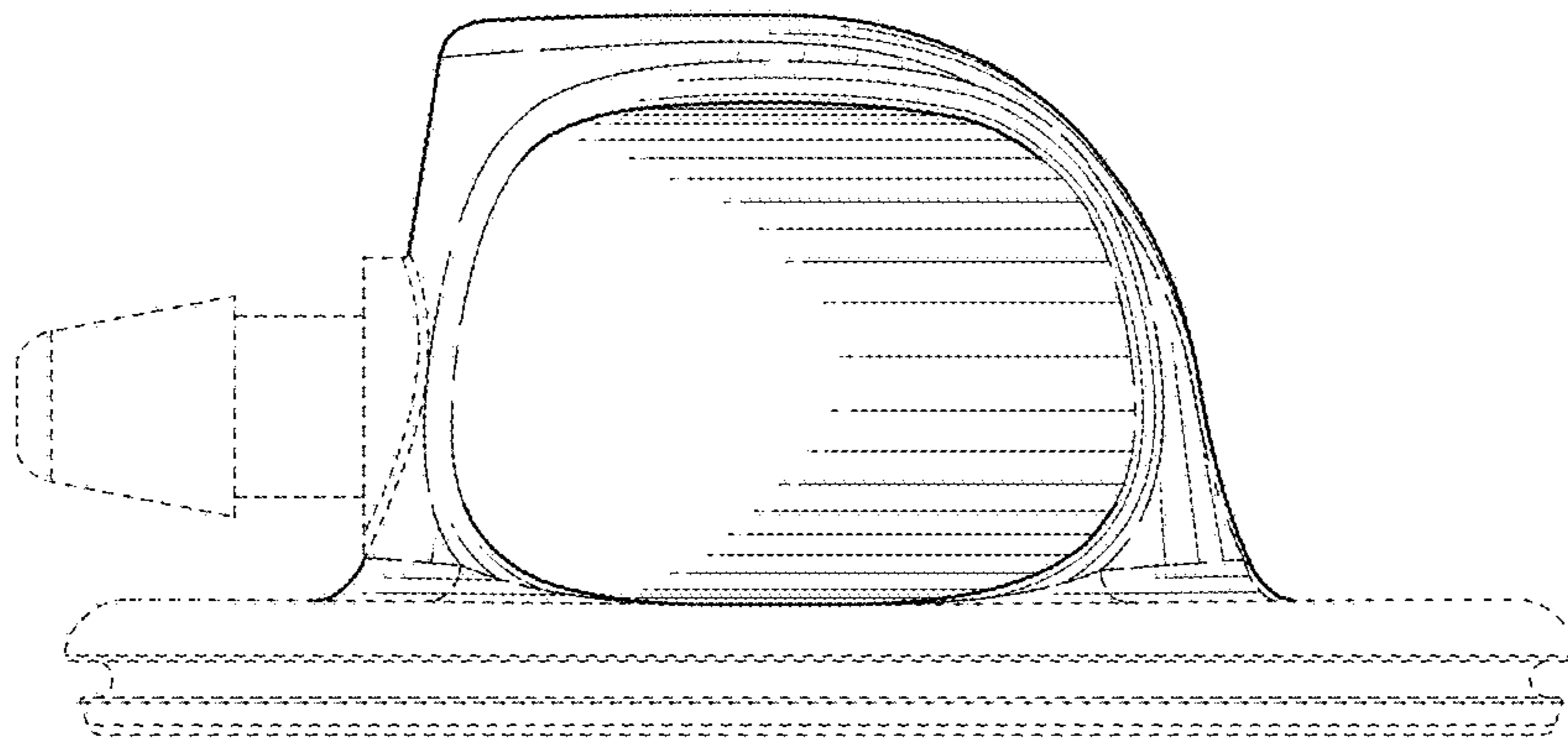


FIG. 5

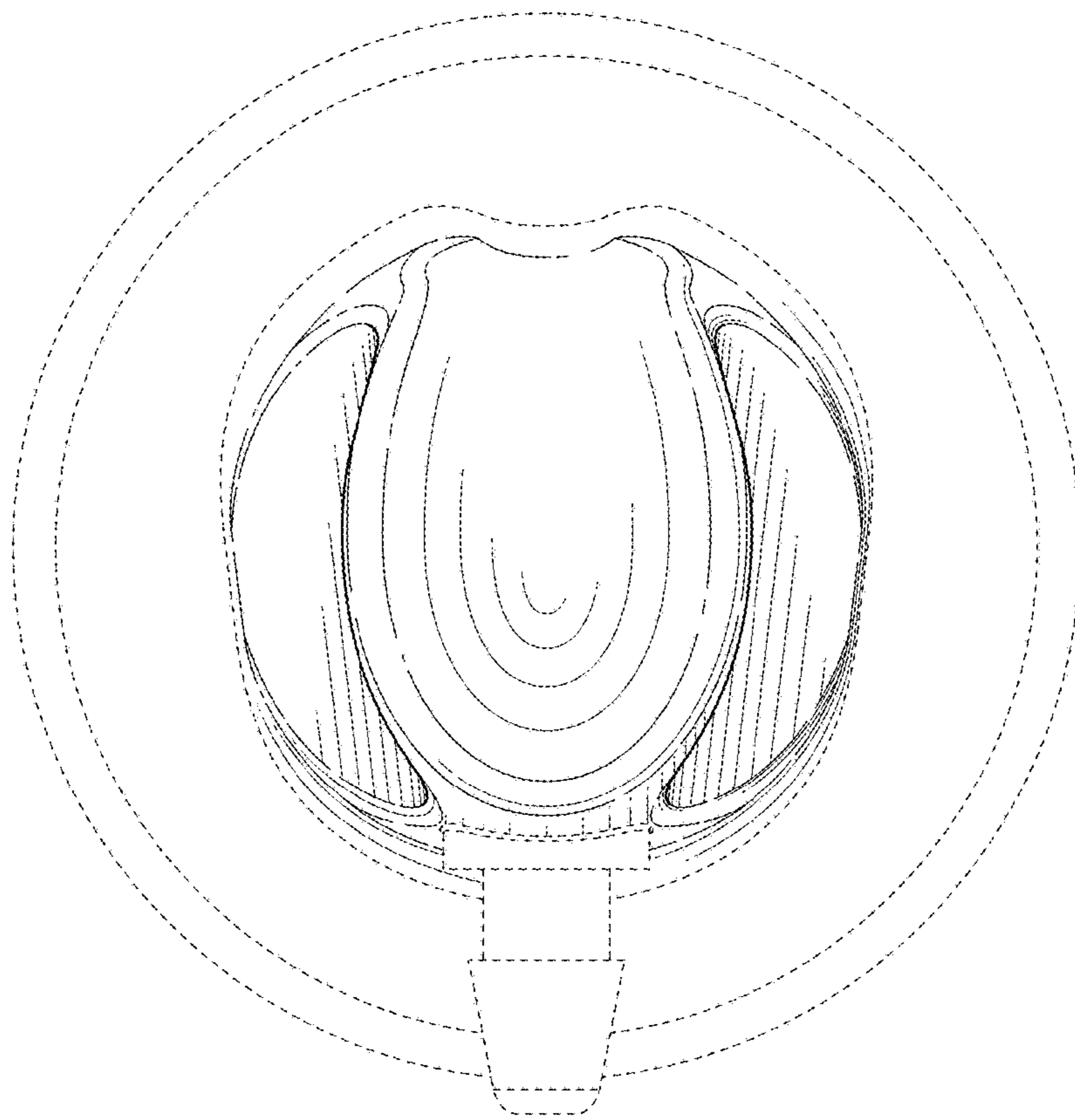


FIG. 6

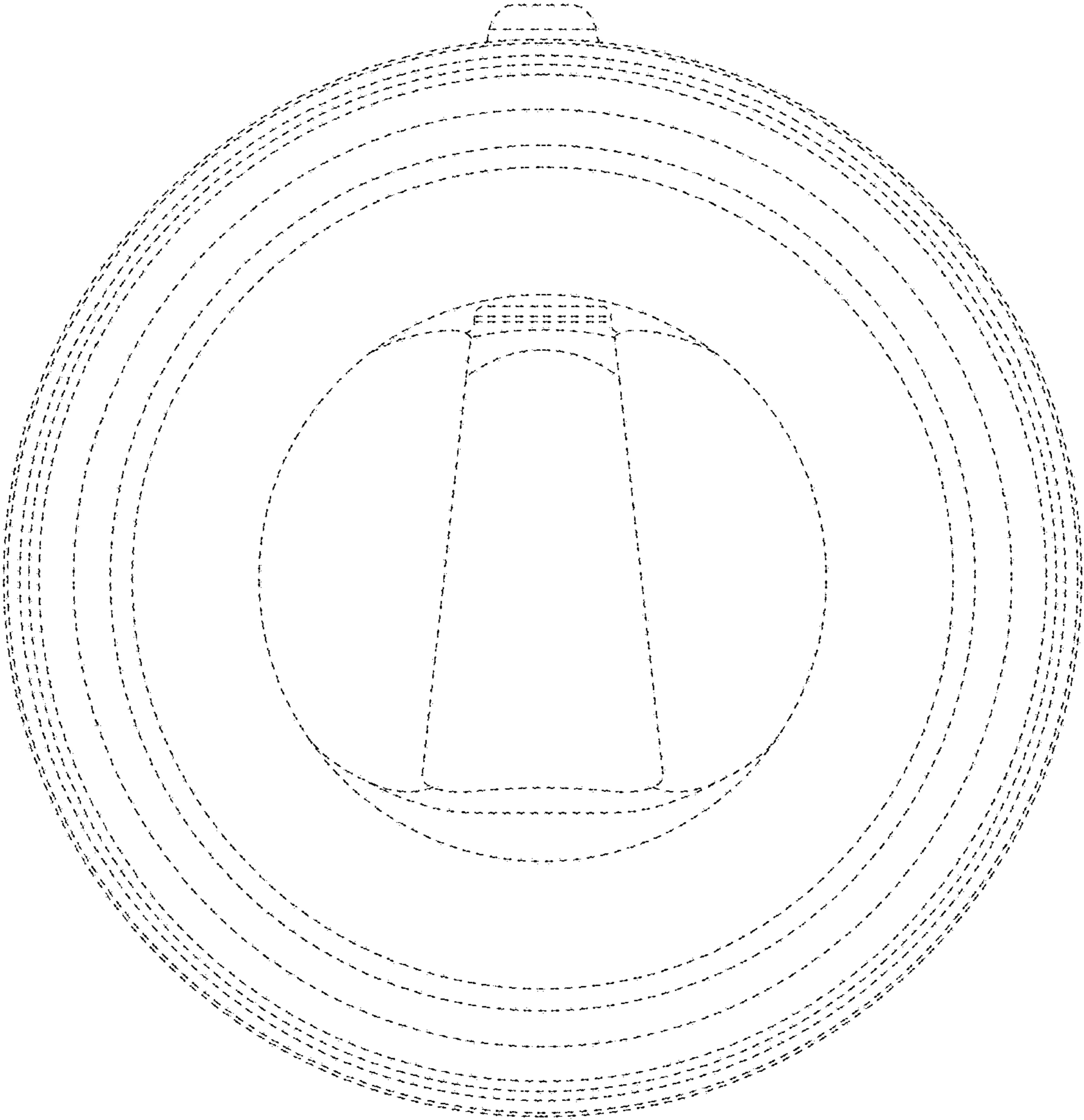


FIG. 7