



US00D858758S

(12) **United States Design Patent**
Mulumudi et al.

(10) **Patent No.:** **US D858,758 S**

(45) **Date of Patent:** **** Sep. 3, 2019**

(54) **ELECTRONIC DEVICE CASE WITH STETHOSCOPE**

(71) Applicant: **StratoScientific, Inc.**, Shoreline, WA (US)

(72) Inventors: **Suman K. Mulumudi**, Snohomish, WA (US); **Mahesh S. Mulumudi**, Snohomish, WA (US)

(73) Assignee: **StratoScientific, Inc.**, Shoreline, WA (US)

(**) Term: **15 Years**

(21) Appl. No.: **29/575,099**

(22) Filed: **Aug. 22, 2016**

(51) **LOC (12) Cl.** **24-02**

(52) **U.S. Cl.**
USPC **D24/134; D14/250**

(58) **Field of Classification Search**
USPC D24/134; D14/250
CPC A61B 7/02; A61B 7/04; A61B 7/00; A61B 7/003; A61B 5/024; A61B 5/08; A61B 5/0816; A61B 8/0883

See application file for complete search history.

(56) **References Cited**

U.S. PATENT DOCUMENTS

D622,844 S *	8/2010	Alexander	D24/134
D726,704 S *	4/2015	Park	D14/250
D746,802 S *	1/2016	Mulumudi	D14/250
D758,350 S *	6/2016	Mulumudi	D14/217
9,414,155 B2 *	8/2016	Mulumudi	H04R 1/46
D772,215 S *	11/2016	Mulumudi	D14/250
D782,455 S *	3/2017	Kim	D14/248
2012/0074006 A1 *	3/2012	Monaco	H04M 1/15 206/320

2013/0181584 A1 *	7/2013	Whitten	G06F 1/1656 312/223.1
2013/0303000 A1 *	11/2013	Witter	H01R 13/6205 439/39
2014/0154152 A1 *	6/2014	Chumanov	G01J 3/0291 422/561
2015/0087926 A1 *	3/2015	Raz	A61B 5/0013 600/301
2017/0095224 A1 *	4/2017	Olgun	A61B 7/02

OTHER PUBLICATIONS

Steth IO The Snnartphone Stethoscope posted by Stethio on Dec. 14, 2018 found on Apr. 18, 2019 at <https://stethio.com/product/stethoscope/>.*

* cited by examiner

Primary Examiner — Eliza Z Bennett-Hattan

(74) *Attorney, Agent, or Firm* — Foley & Lardner LLP

(57) **CLAIM**

We claim the ornamental design for a electronic device case with stethoscope, as shown and described.

DESCRIPTION

FIG. 1 is a perspective view of an electronic device case with stethoscope showing our new design;
FIG. 2 is a front view thereof;
FIG. 3 is a right view thereof;
FIG. 4 is a left view thereof;
FIG. 5 is a bottom view thereof; and,
FIG. 6 is a top view thereof.

The broken lines showing represents portions of the unclaimed portions electronic device case with stethoscope and forms no part of the claimed design.

1 Claim, 4 Drawing Sheets

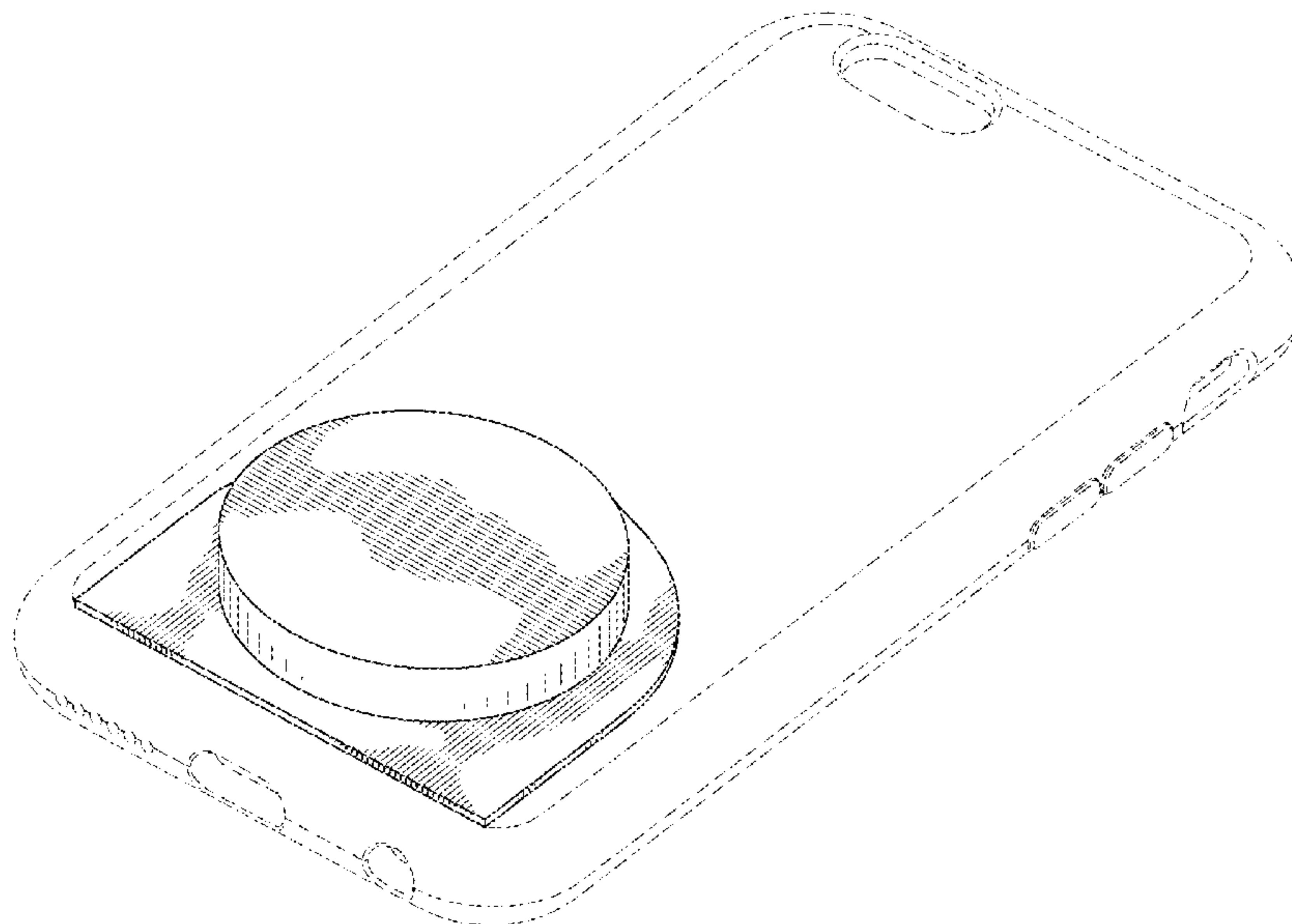


FIG. 1

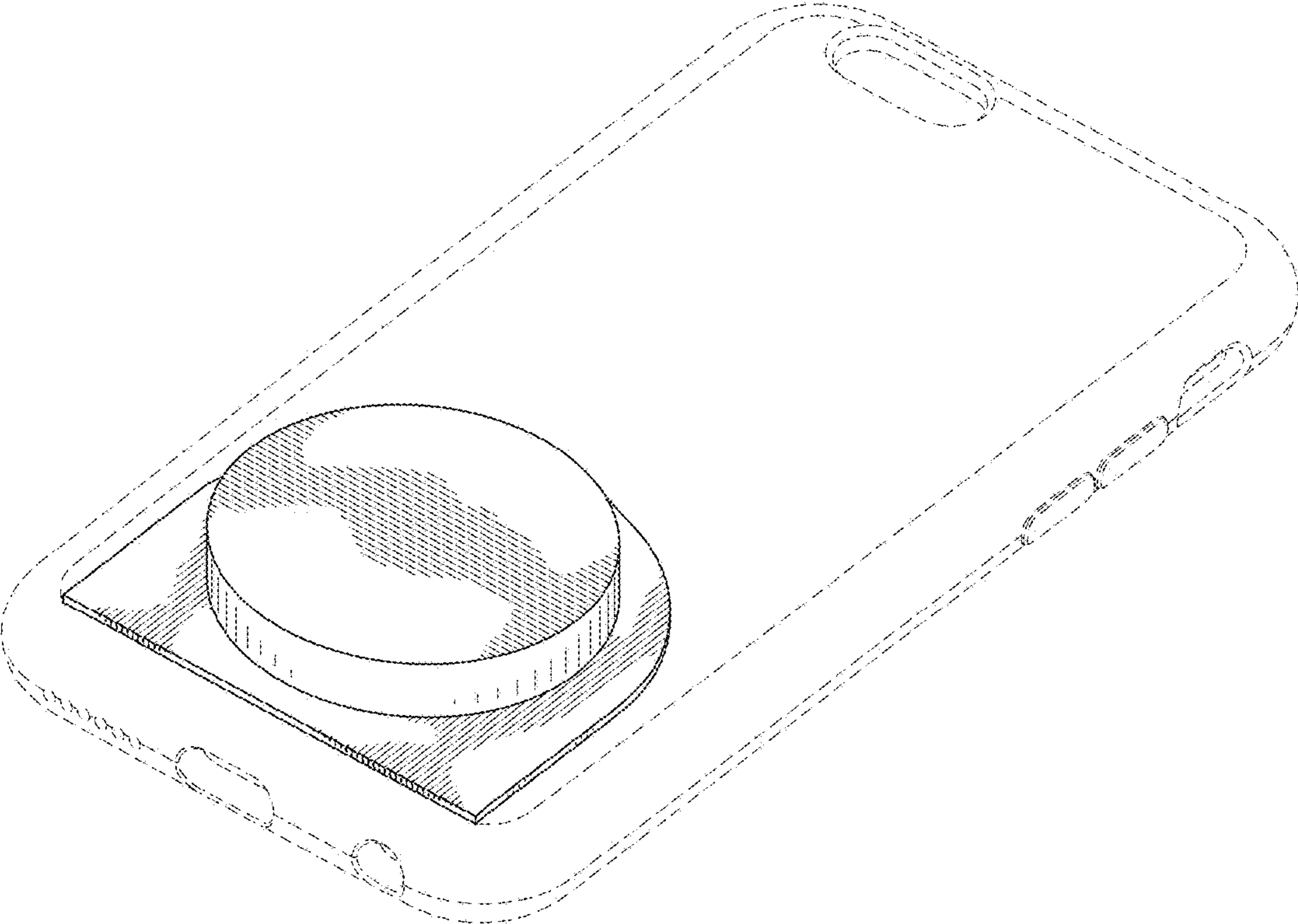


FIG. 2

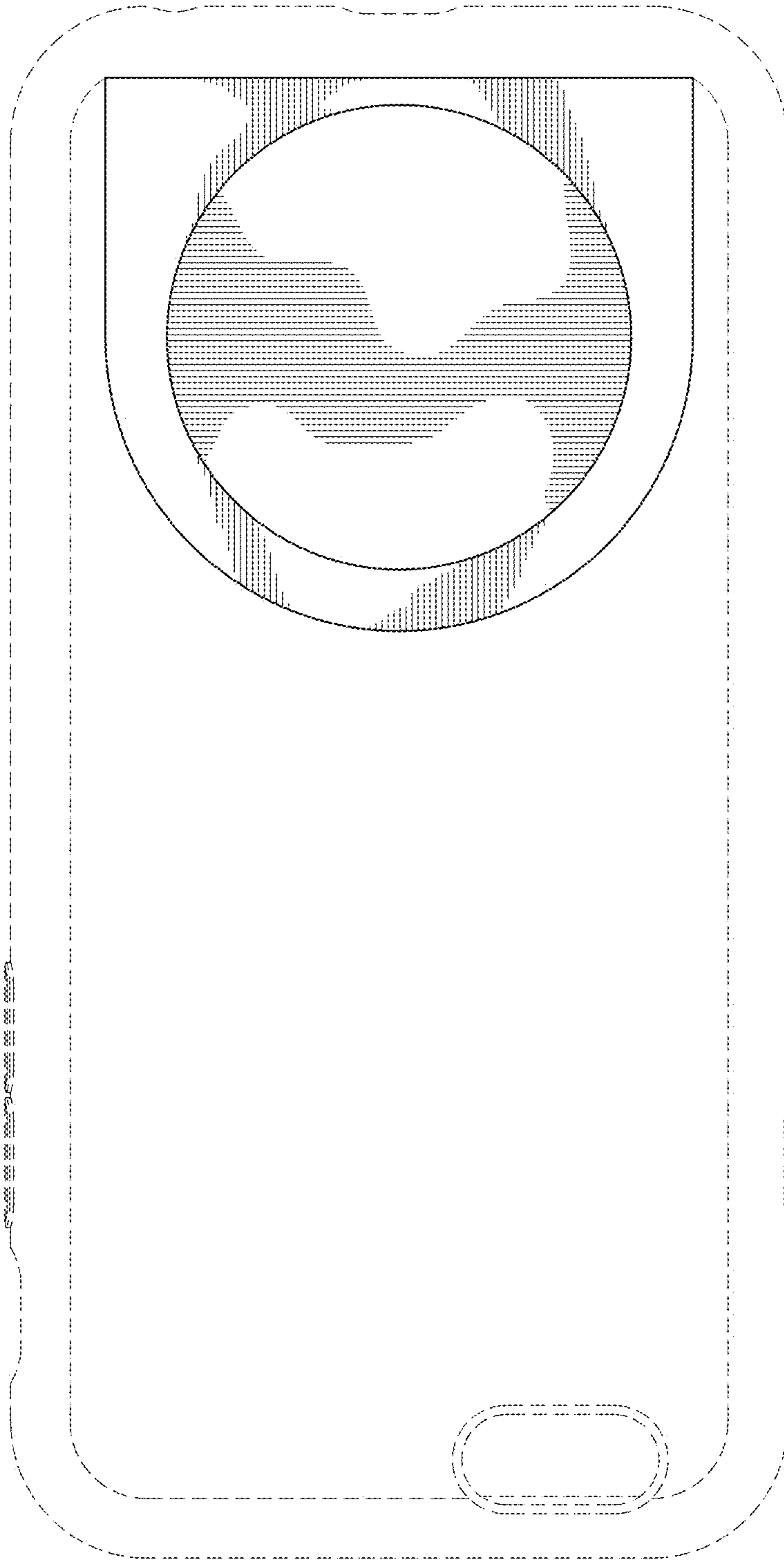


FIG. 3

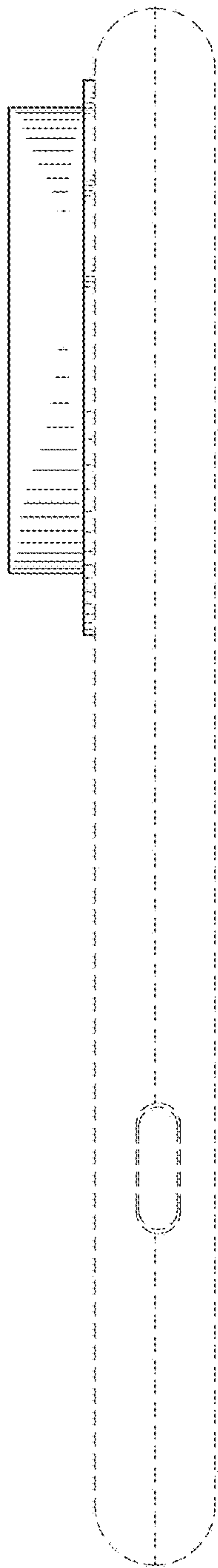


FIG. 4

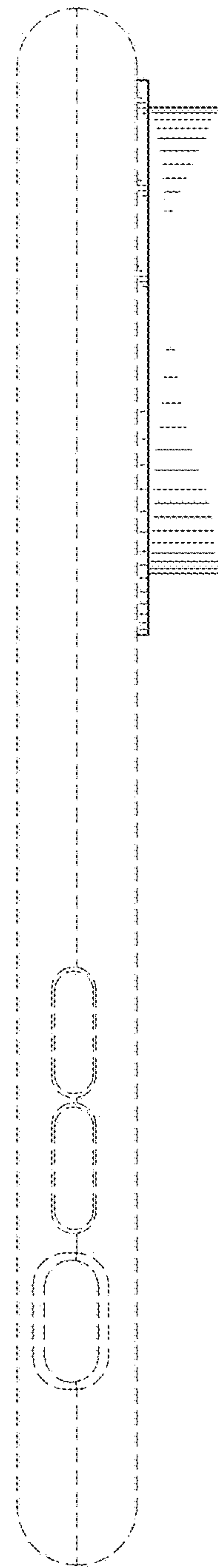


FIG. 5

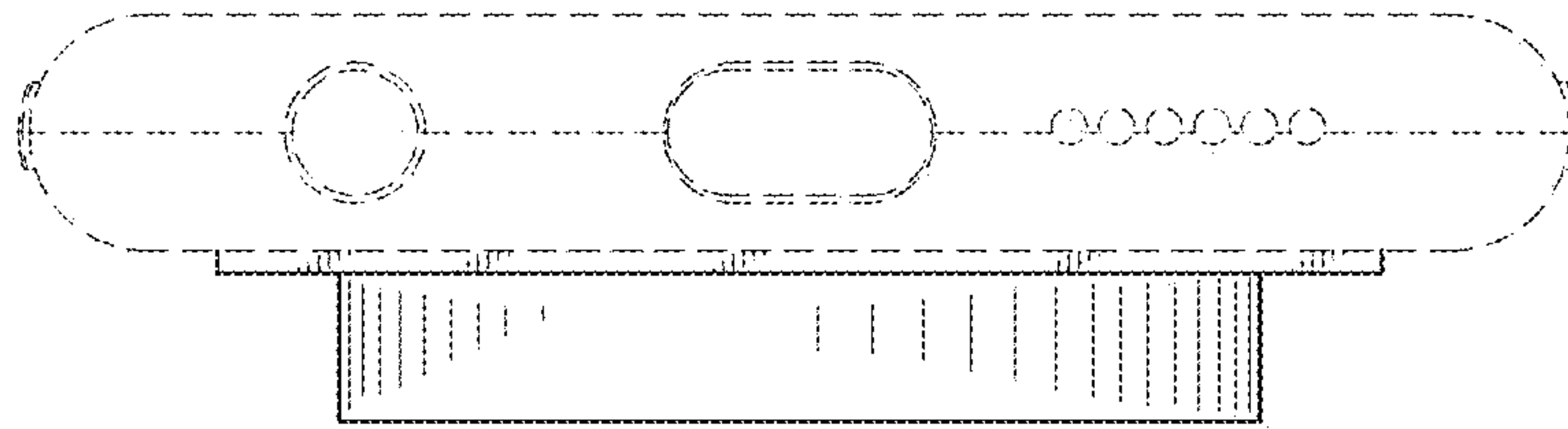


FIG. 6

