



US00D858756S

(12) **United States Design Patent**
Katagiri et al.

(10) **Patent No.:** **US D858,756 S**
(45) **Date of Patent:** **** Sep. 3, 2019**

(54) **SYRINGE CAP**
(71) Applicant: **TAISEI KAKO CO., LTD.**, Osaka (JP)
(72) Inventors: **Yuki Katagiri**, Osaka (JP); **Takashi Ogami**, Osaka (JP)
(73) Assignee: **TAISEI KAKO CO., LTD.**, Osaka (JP)
(**) Term: **15 Years**

8,715,248 B2 * 5/2014 McKinnon A61M 39/045
422/50
D714,935 S * 10/2014 Nishioka D24/130
D736,914 S * 8/2015 Schultz D24/129
D737,436 S * 8/2015 Lev D24/129
D750,775 S * 3/2016 Carrel D24/130
D825,737 S * 8/2018 Yokoyama D24/108
D834,187 S * 11/2018 Ryan A61M 39/20
D24/130
D838,363 S * 1/2019 Katagiri D24/127
D842,464 S * 3/2019 Davis D24/130

(21) Appl. No.: **29/621,711**
(22) Filed: **Oct. 11, 2017**

FOREIGN PATENT DOCUMENTS

JP D1429221 12/2011

* cited by examiner

Primary Examiner — David G Muller

(74) *Attorney, Agent, or Firm* — Clark & Brody

(30) **Foreign Application Priority Data**

Apr. 18, 2017 (JP) 2017-008290

(51) **LOC (12) Cl.** **24-02**

(52) **U.S. Cl.**
USPC **D24/130**

(58) **Field of Classification Search**

USPC D24/127–131, 112–114, 133, 186;
606/181, 185; 604/264, 523–528, 272,
604/187, 158, 164.01–164.11, 181, 184,
604/227; 600/101, 139, 143;
128/200.24, 207.14, 207.15

CPC A61M 25/00; A61M 39/00; A61M 27/00;
A61M 25/0043; A61M 25/0067; A61M
25/0097; A61F 2/958

See application file for complete search history.

(57) **CLAIM**

The ornamental design for a syringe cap.

DESCRIPTION

FIG. 1 is a front side perspective view of a syringe cap showing the claimed design;

FIG. 2 is a front side thereof;

FIG. 3 is a rear side view thereof;

FIG. 4 is a top view thereof;

FIG. 5 is a bottom view thereof;

FIG. 6 is a right side view thereof;

FIG. 7 is a left side view thereof;

FIG. 8 is an enlarged section view along the line 8-8 of FIG. 4, and,

FIG. 9 shows the syringe cap in an exemplary use in a syringe.

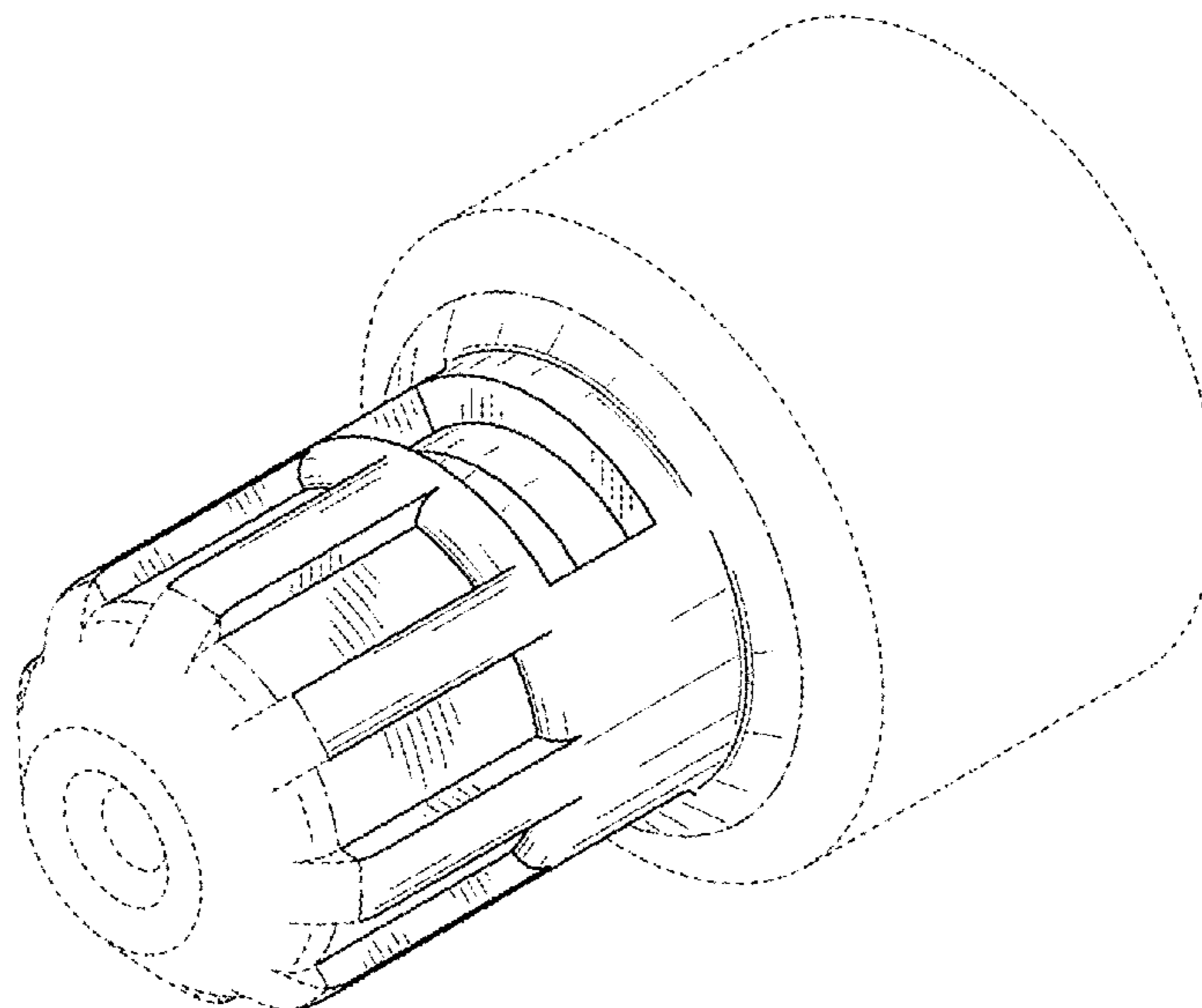
The broken lines illustrating structure in the drawings form no part of the claimed design.

(56) **References Cited**

U.S. PATENT DOCUMENTS

5,730,753 A * 3/1998 Morita A61B 5/150022
600/583
D625,003 S * 10/2010 Stephens D24/129
D630,732 S * 1/2011 Lev D24/129
8,197,452 B2 * 6/2012 Harding A61M 25/0017
128/912

1 Claim, 5 Drawing Sheets



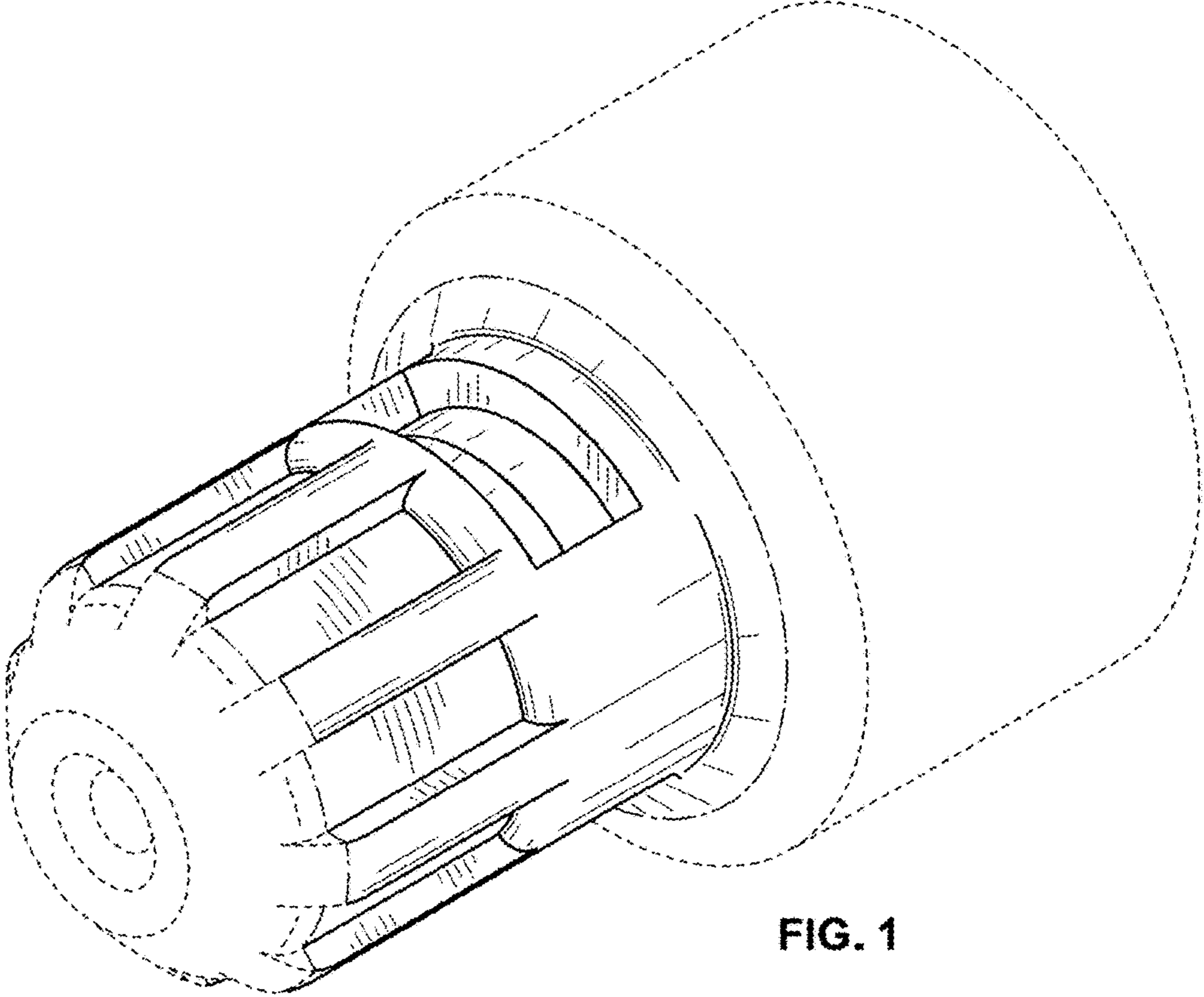


FIG. 1

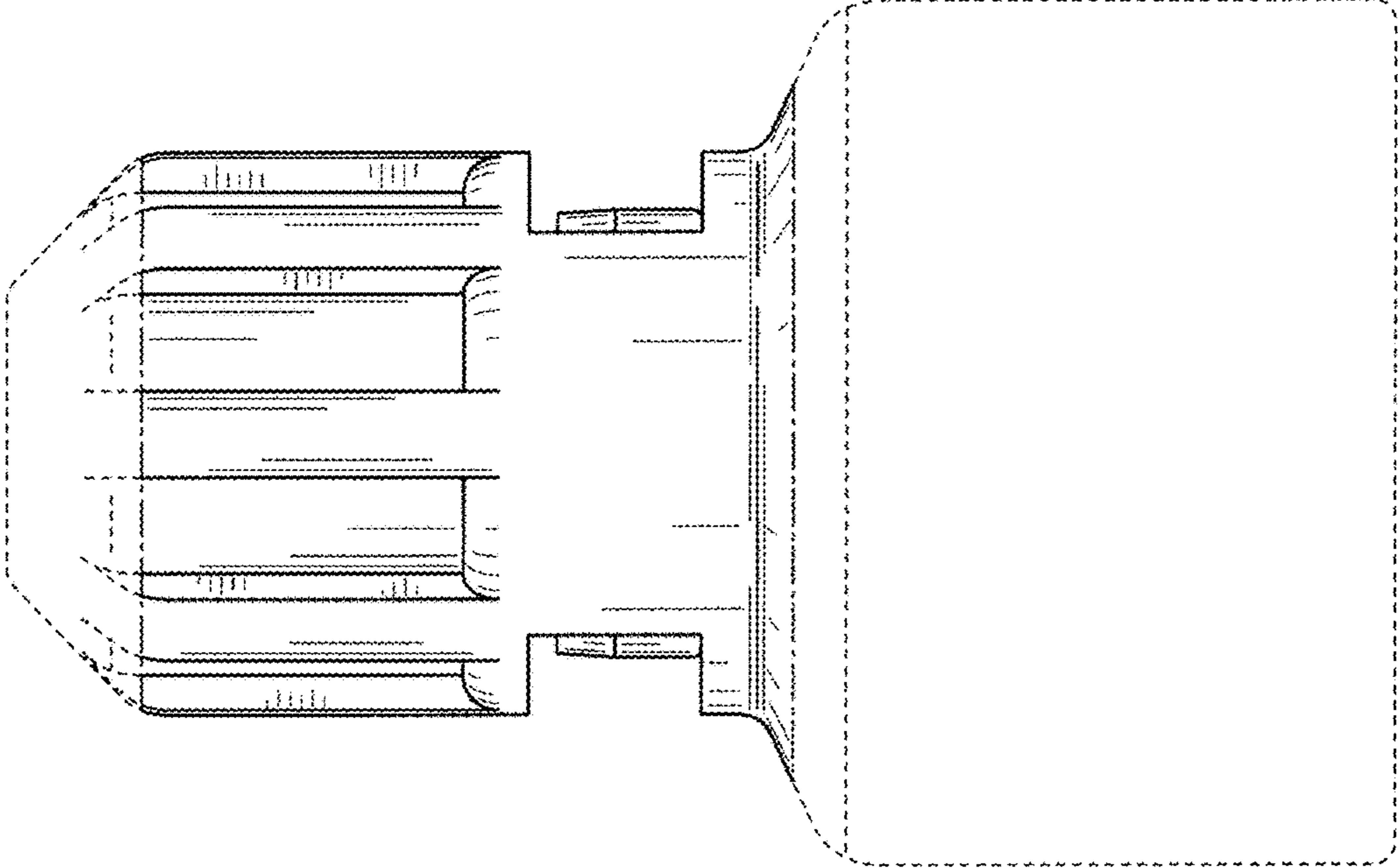


FIG. 2

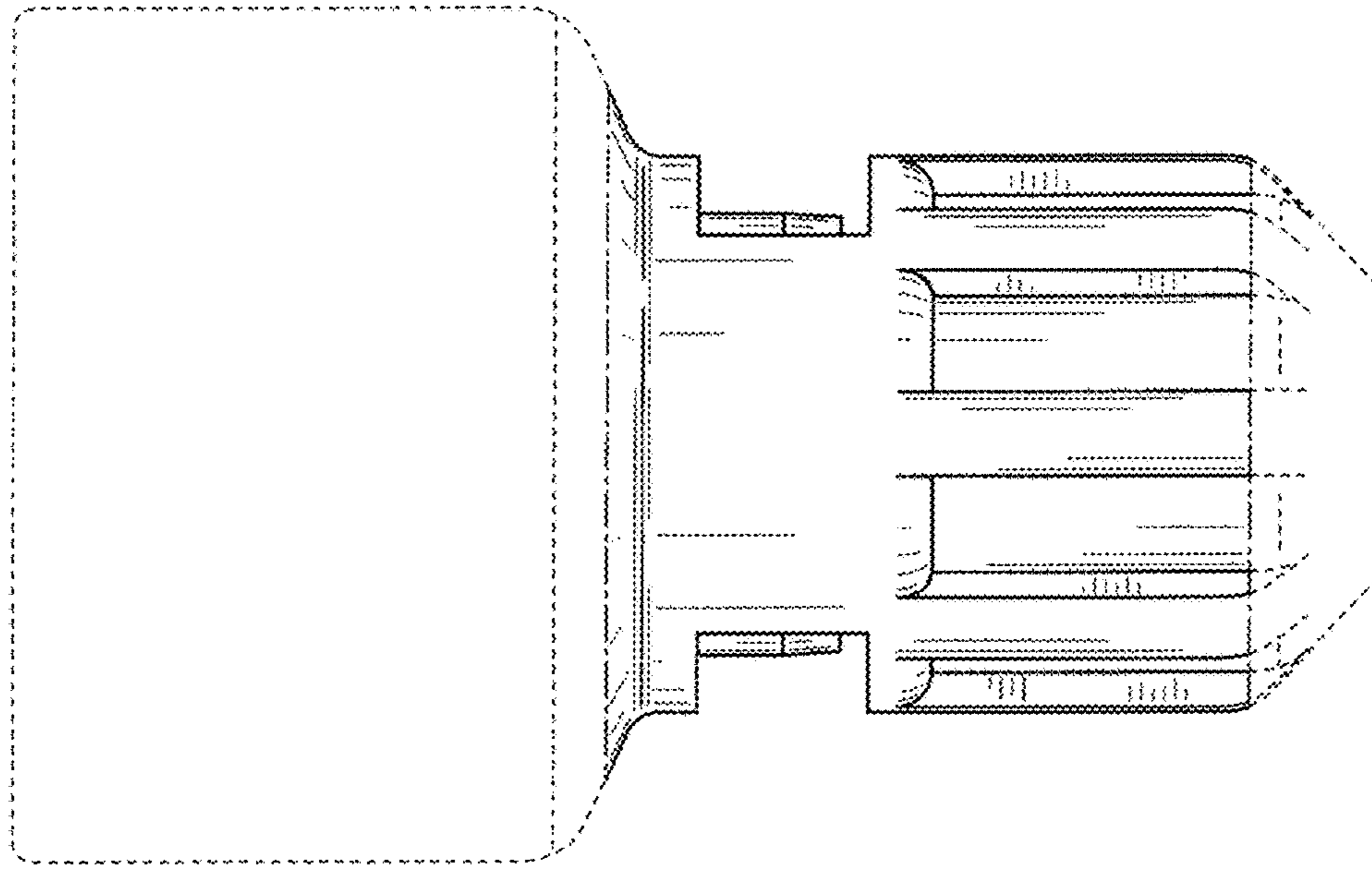


FIG. 3

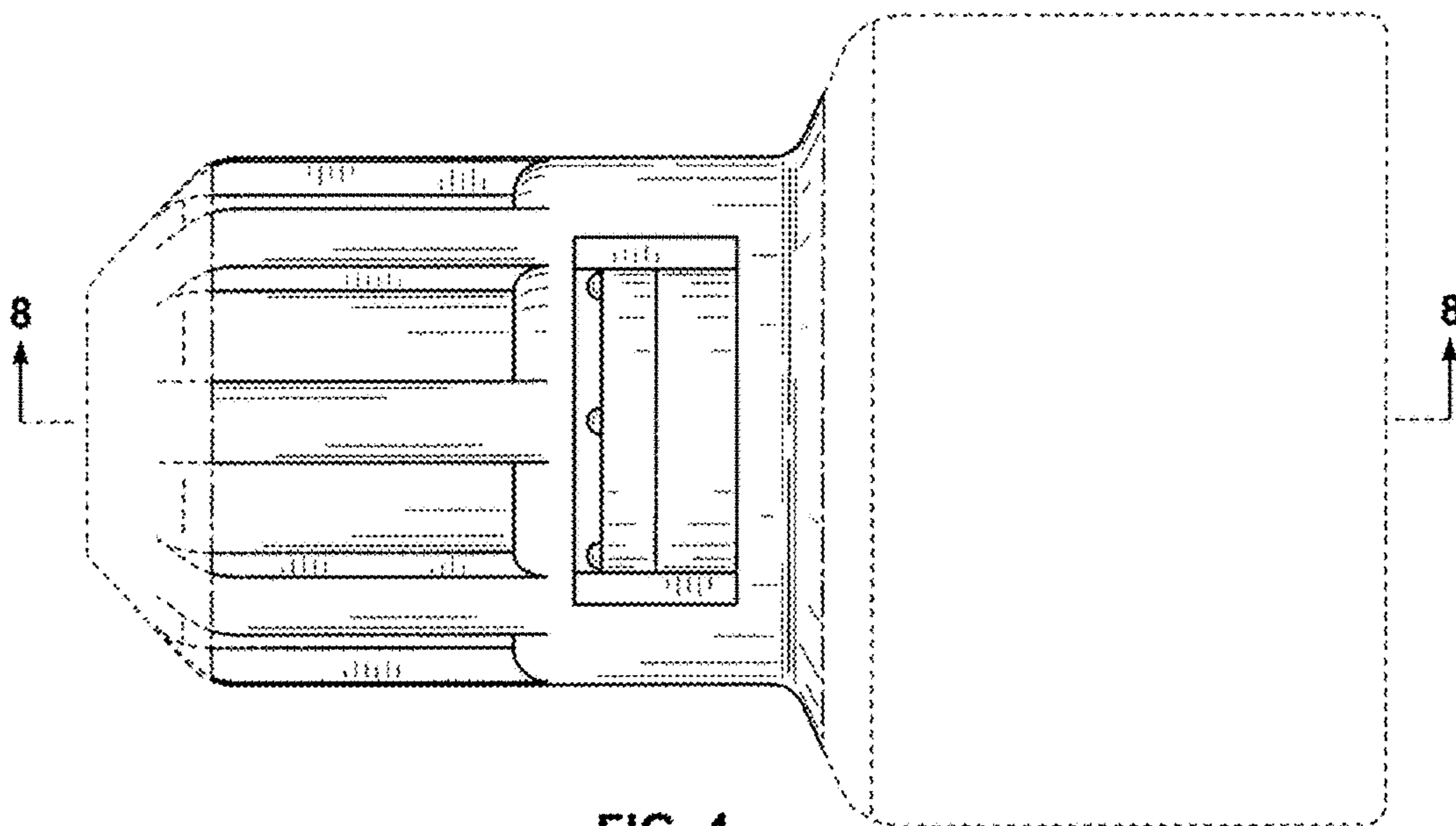


FIG. 4

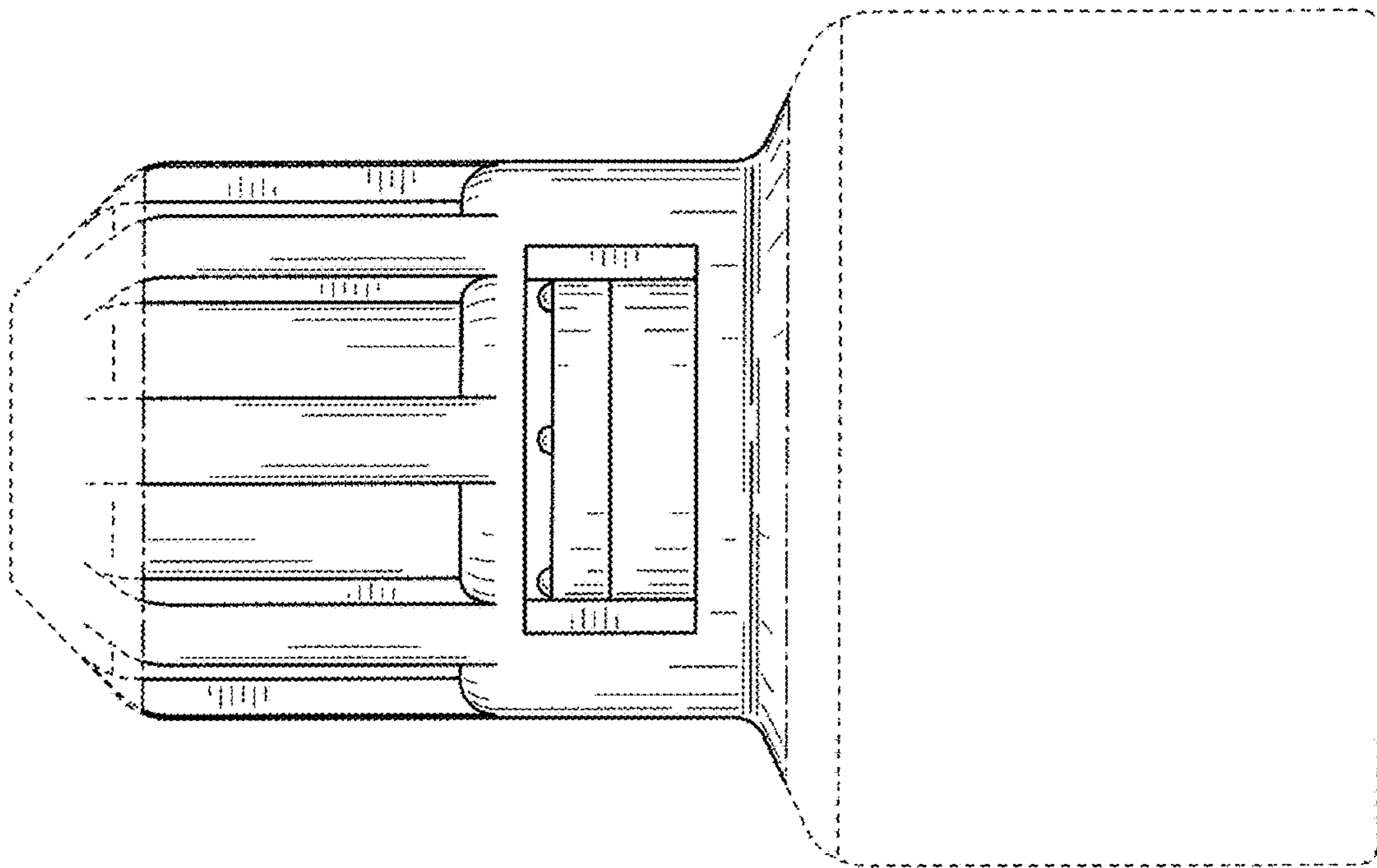


FIG. 5

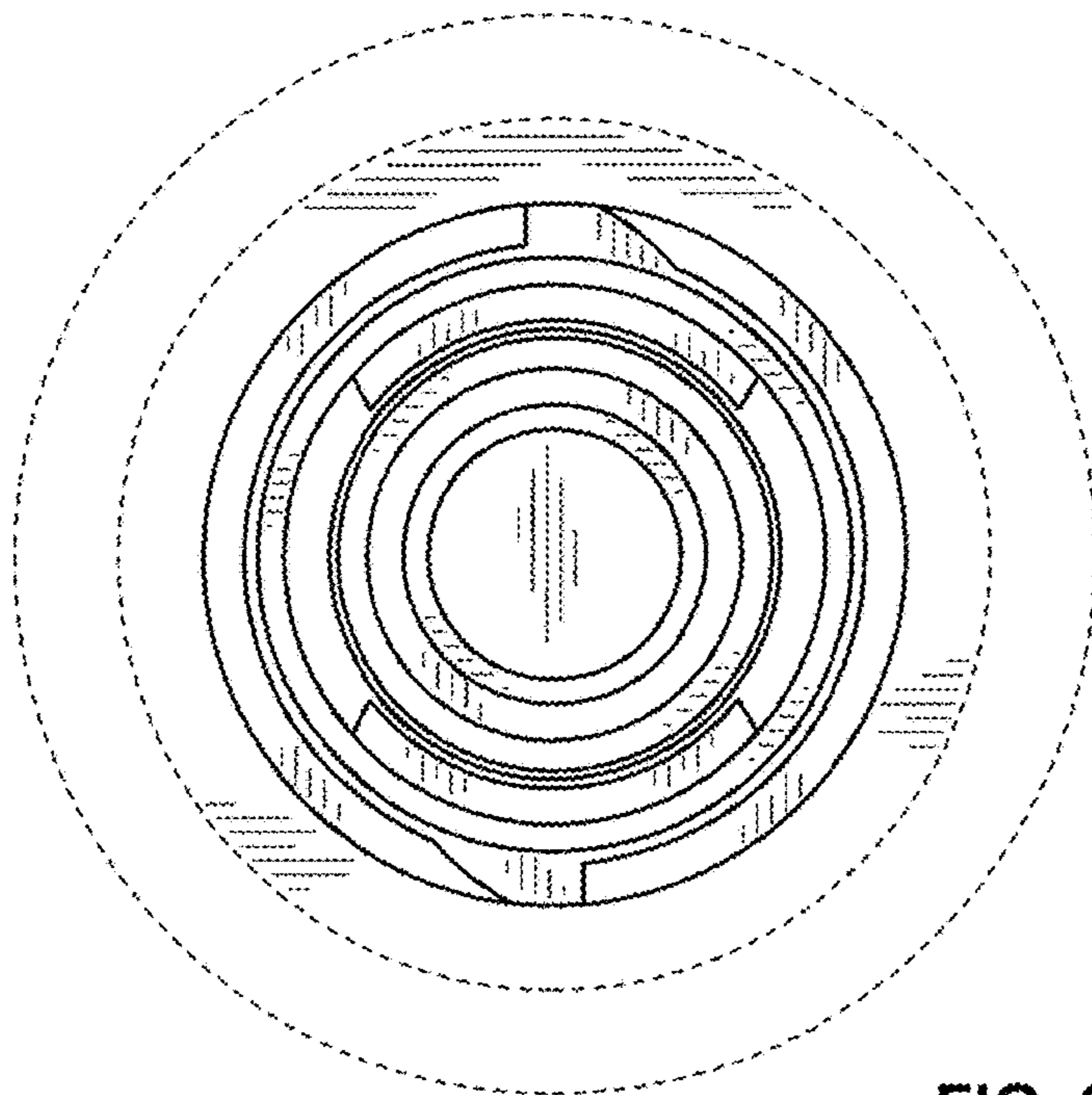


FIG. 6

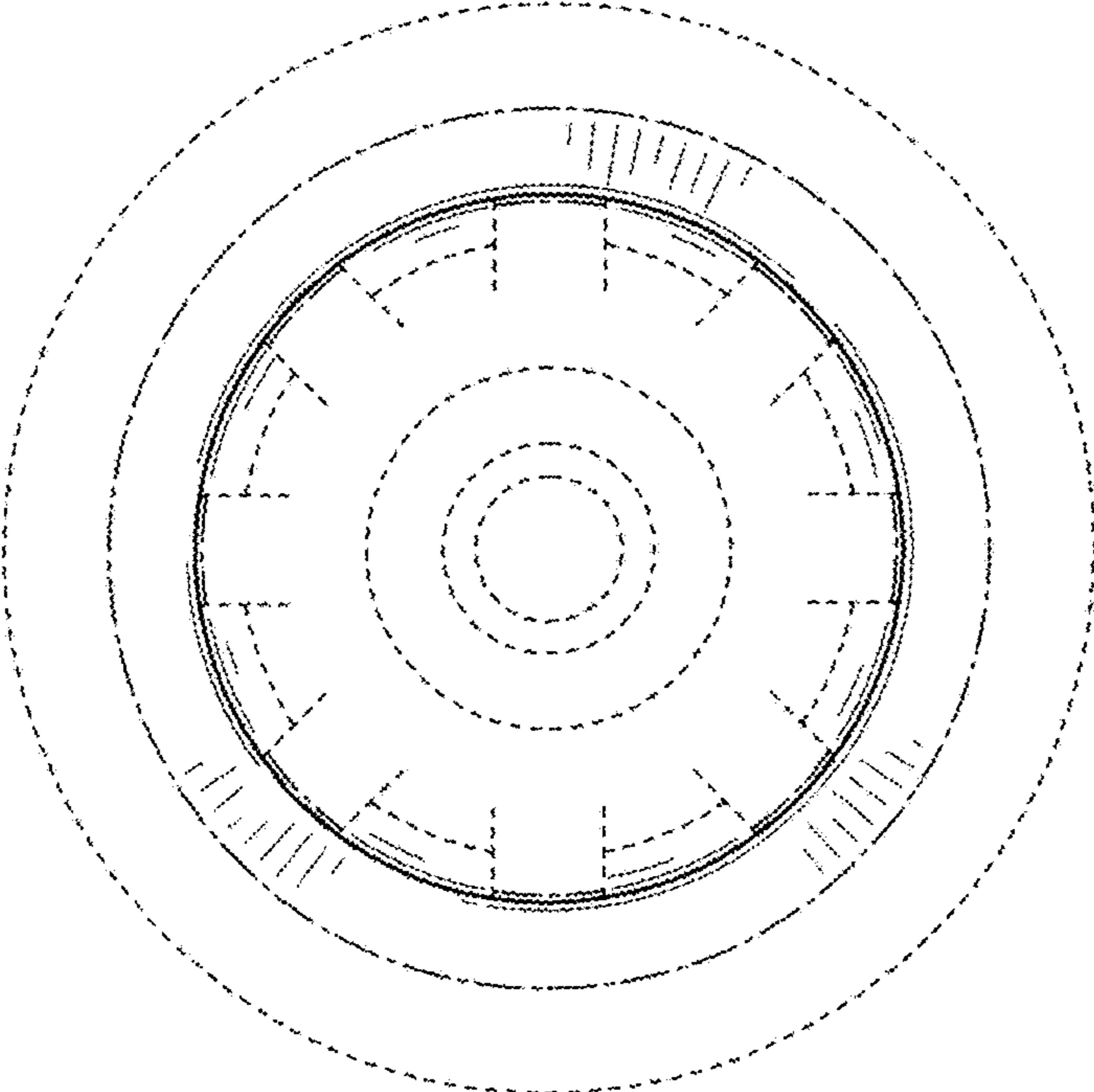


FIG. 7

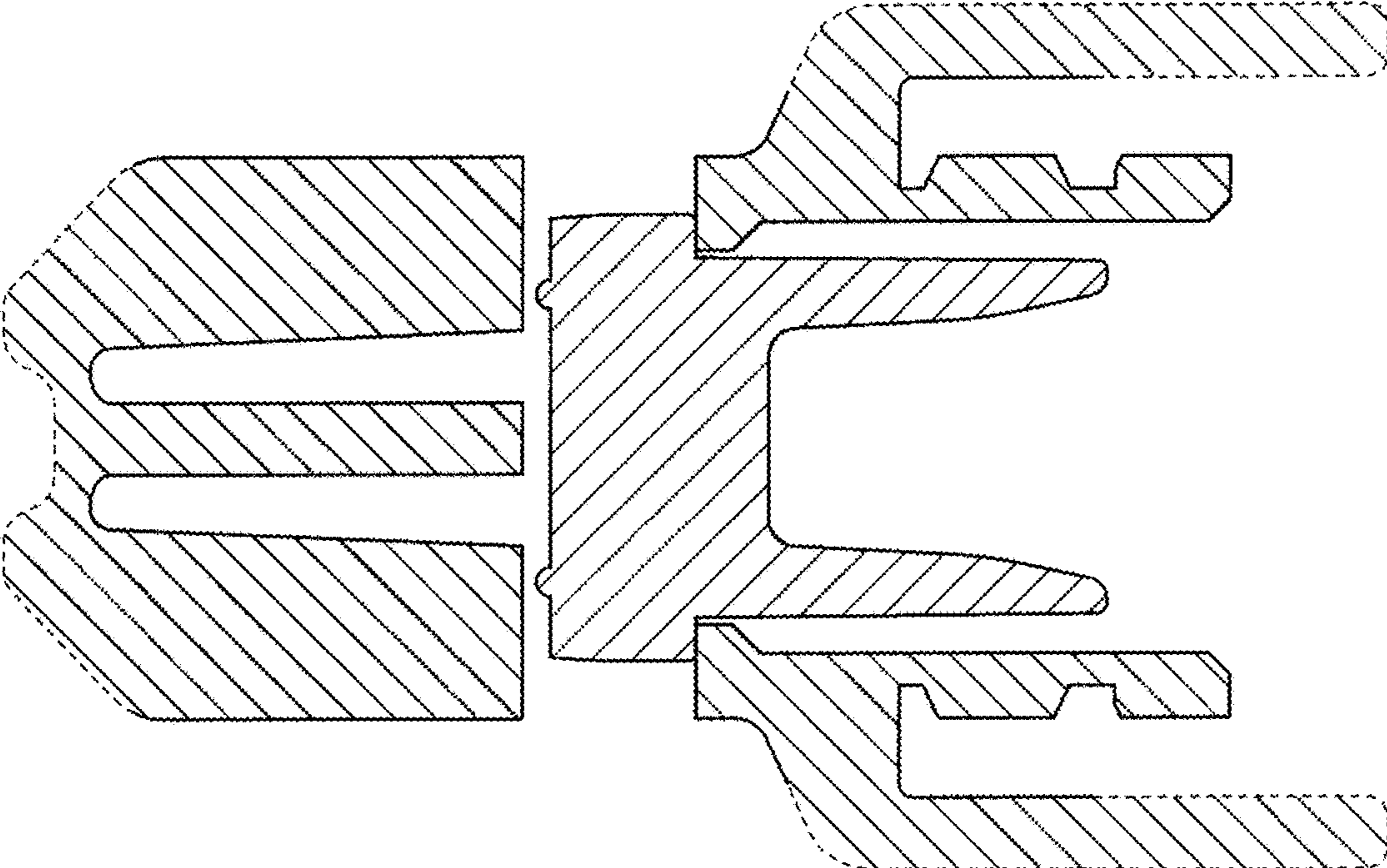


FIG. 8

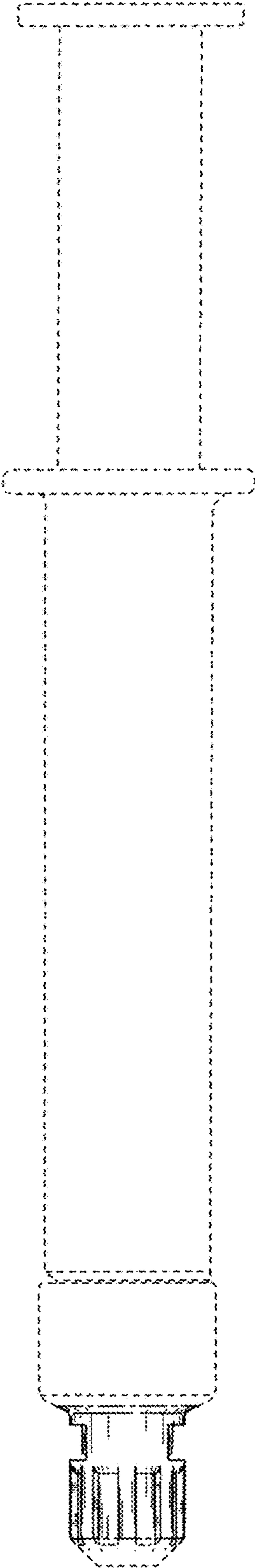


FIG. 9